



US00D344463S

United States Patent [19]
Lannie

[11] **Patent Number: Des. 344,463**

[45] **Date of Patent: ** Feb. 22, 1994**

[54] **WEATHER VANE**

[75] **Inventor: Michael Gerrard Lannie,**
Leicestershire, England

[73] **Assignee: Invicta Plastics Ltd., Great Britain**

[**] **Term: 14 Years**

[21] **Appl. No.: 866,530**

[22] **Filed: Apr. 9, 1992**

[30] **Foreign Application Priority Data**

Oct. 19, 1991 [GB] **United Kingdom** 2018426

[52] **U.S. Cl.** **D10/59**

[58] **Field of Search** 73/188, 189; D10/59

[56] **References Cited**

U.S. PATENT DOCUMENTS

D. 258,640 3/1981 Hefling D10/59 X

4,204,271 5/1980 Braly D10/59 X

8,665,744 5/1987 Smith D10/59 X

Primary Examiner—Alan P. Douglas

Assistant Examiner—Antoine D. Davis

Attorney, Agent, or Firm—Dressler, Goldsmith, Shore &
Milnamow, Ltd.

[57] **CLAIM**

The ornamental design for a weather vane, shown and described.

DESCRIPTION

FIG. 1 is a perspective view;

FIG. 2 is a plan view;

FIG. 3 is a side view; and,

FIG. 4 is an underside plan view.



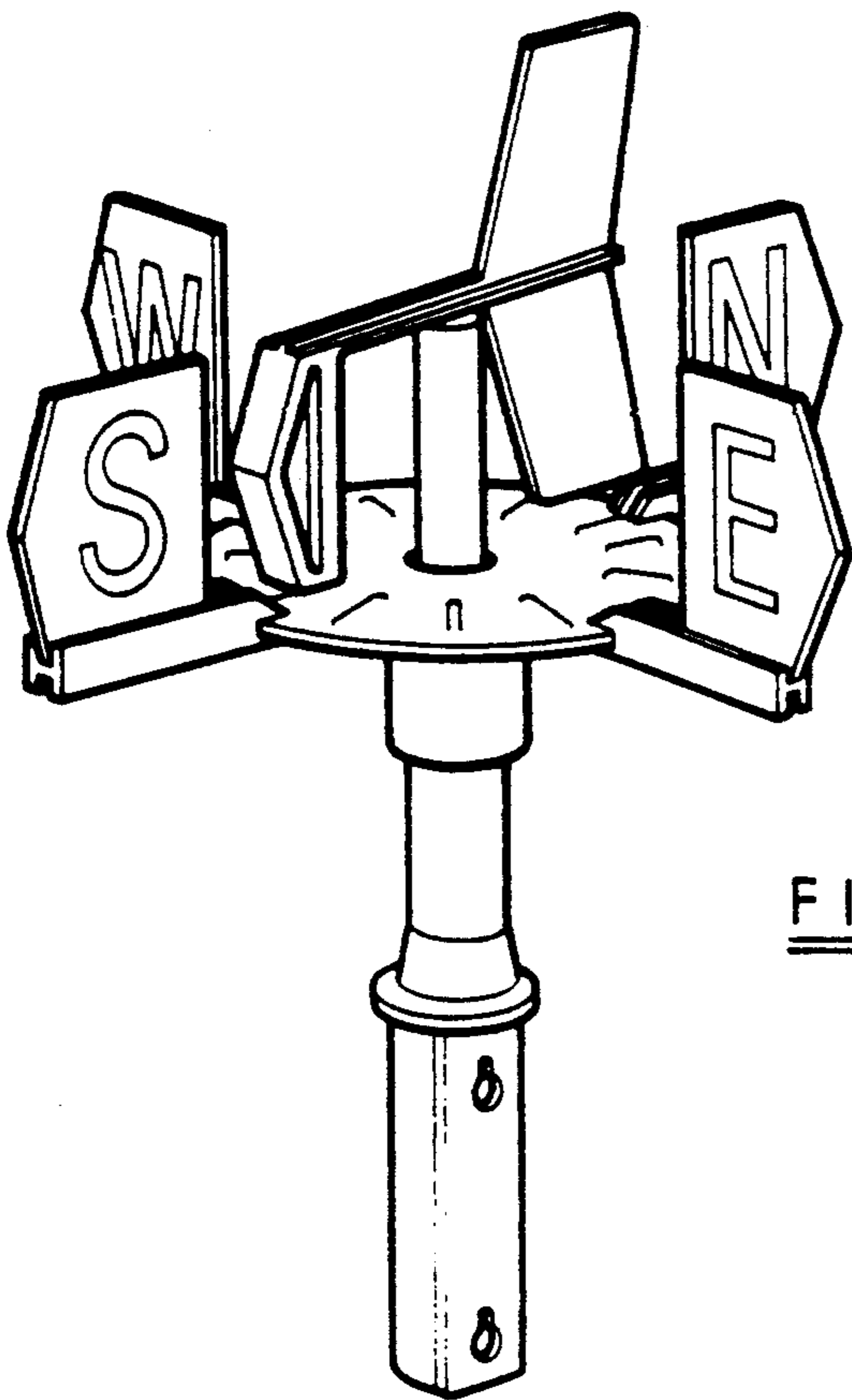


FIG 1

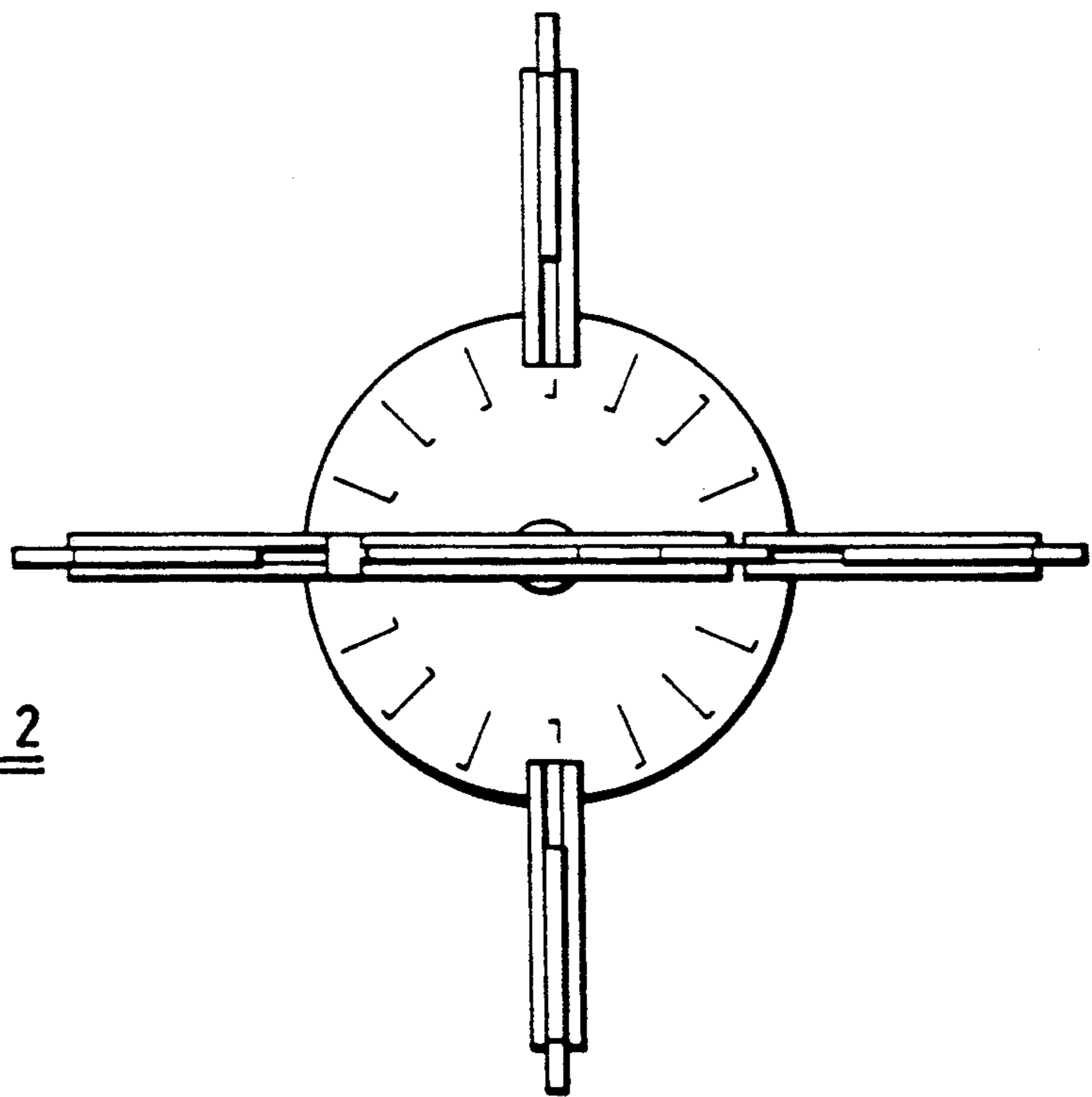


FIG 2

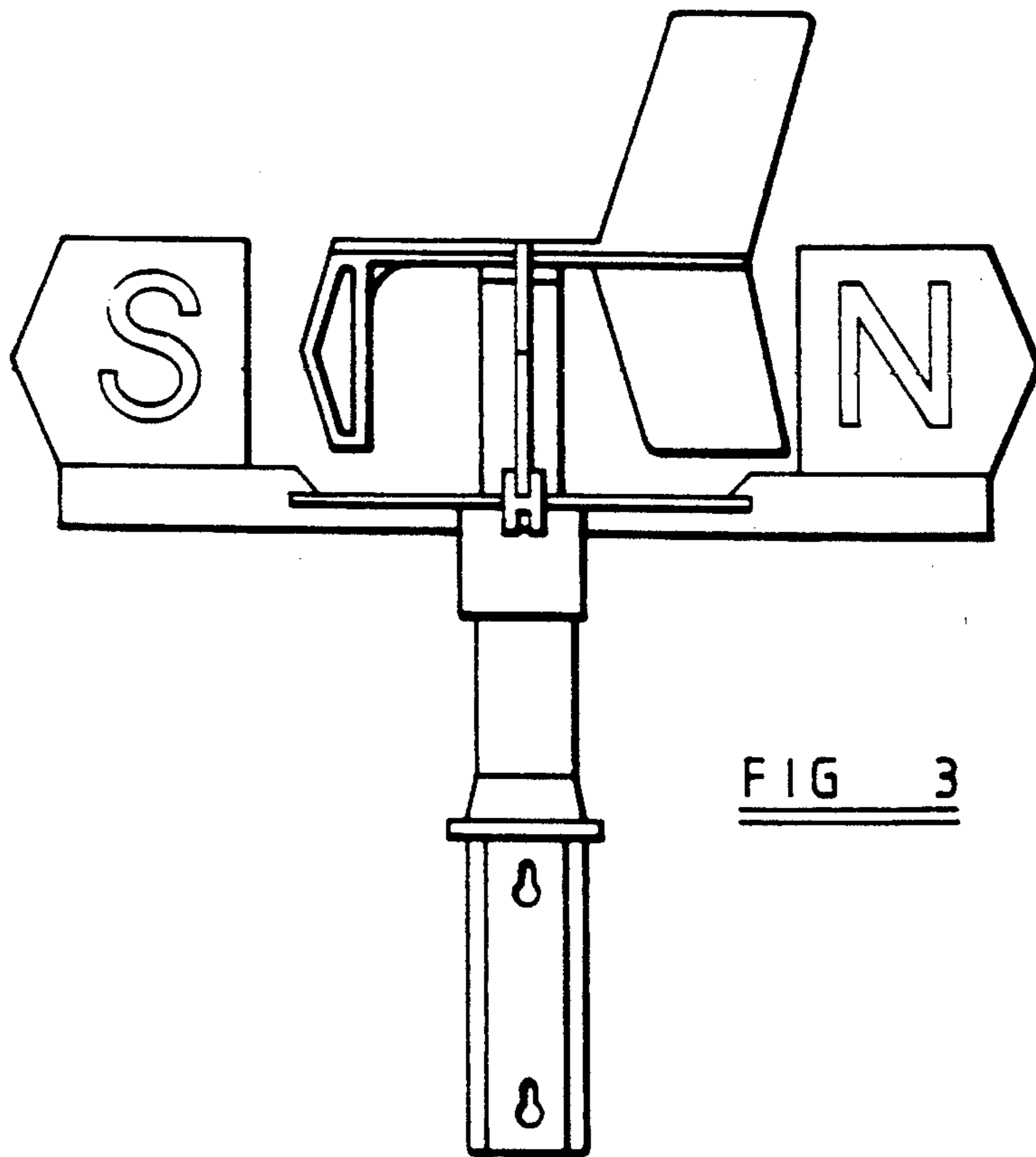


FIG 3

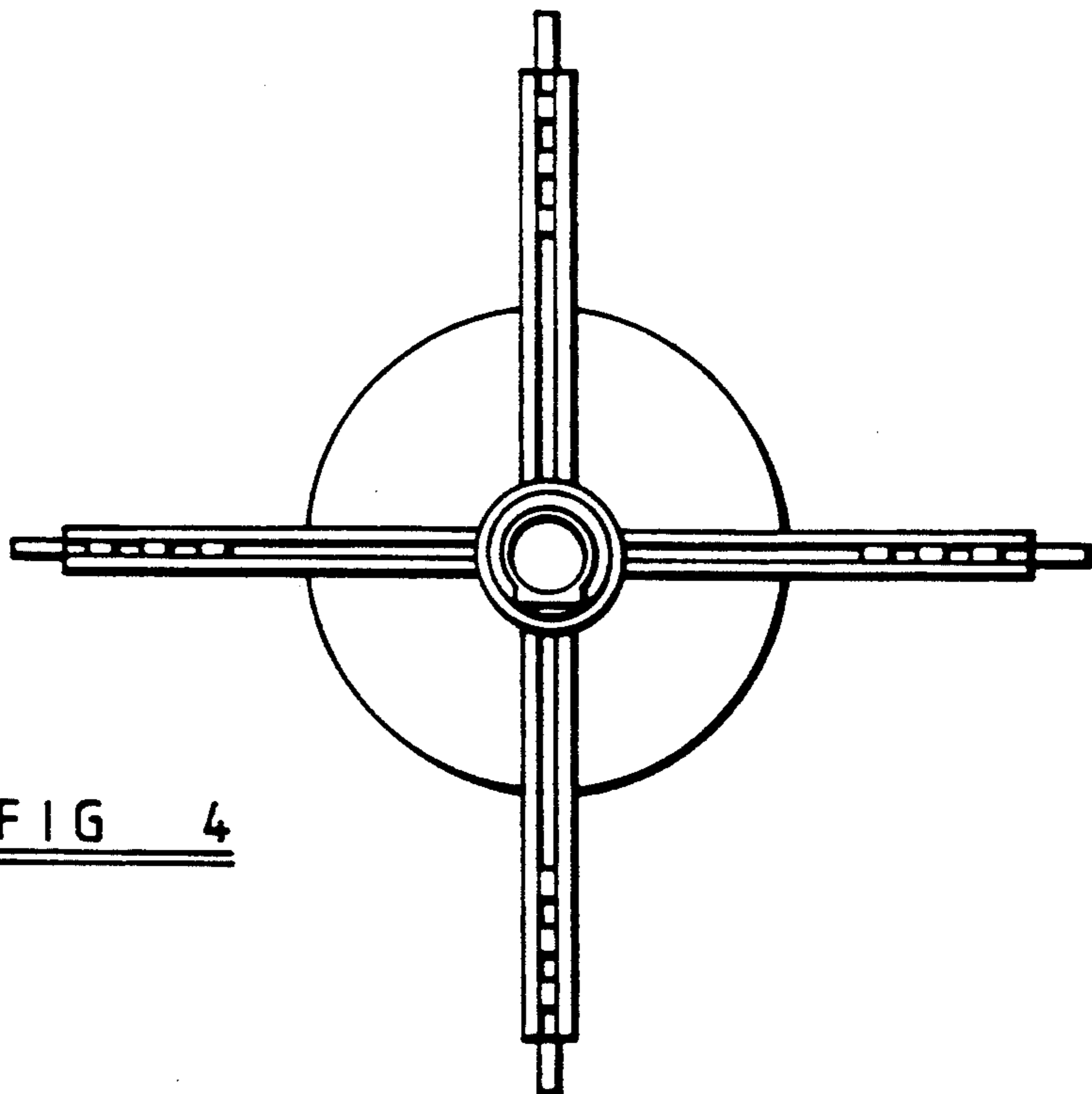


FIG 4