



US00D344461S

United States Patent [19]

[11] Patent Number: **Des. 344,461**

Foster et al.

[45] Date of Patent: **** Feb. 22, 1994**

[54] ELECTRONIC PROGRAMMABLE COMFORT ZONE THERMOSTAT

[75] Inventors: **Glenn D. Foster; Charlie Moses**, both of Jacksonville, Fla.

[73] Assignee: **Carrier Corporation**, Syracuse, N.Y.

[**] Term: **14 Years**

[21] Appl. No.: **844,422**

[22] Filed: **Mar. 3, 1992**

[52] U.S. Cl. **D10/50; D10/49**

[58] Field of Search **165/22; 236/1 B, 46 R, 236/49.3; 364/557; D10/49-52**

[56] References Cited

U.S. PATENT DOCUMENTS

- D. 304,692 11/1989 Parker et al. D10/60
- D. 317,875 7/1991 Mehta D10/50
- 5,181,653 1/1993 Foster et al. 236/46 R X

Primary Examiner—Nelson C. Holtje
Assistant Examiner—Antoine D. Davis

[57] CLAIM

The ornamental design for an electronic programmable comfort zone thermostat, as shown and described.

DESCRIPTION

FIG. 1 is a front and lower left perspective view of an electronic programmable comfort zone thermostat showing our new design, wherein the front cover is in the closed position;

FIG. 2 is a front and lower left perspective view thereof wherein the front cover is in an open position;

FIG. 3 is a front elevational view of FIG. 1;

FIG. 4 is a left end elevational view thereof;

FIG. 5 is a right end elevational view thereof;

FIG. 6 is a top plan view thereof;

FIG. 7 is a bottom plan view thereof;

FIG. 8 is a rear elevational view thereof;

FIG. 9 is a front elevational view of FIG. 2;

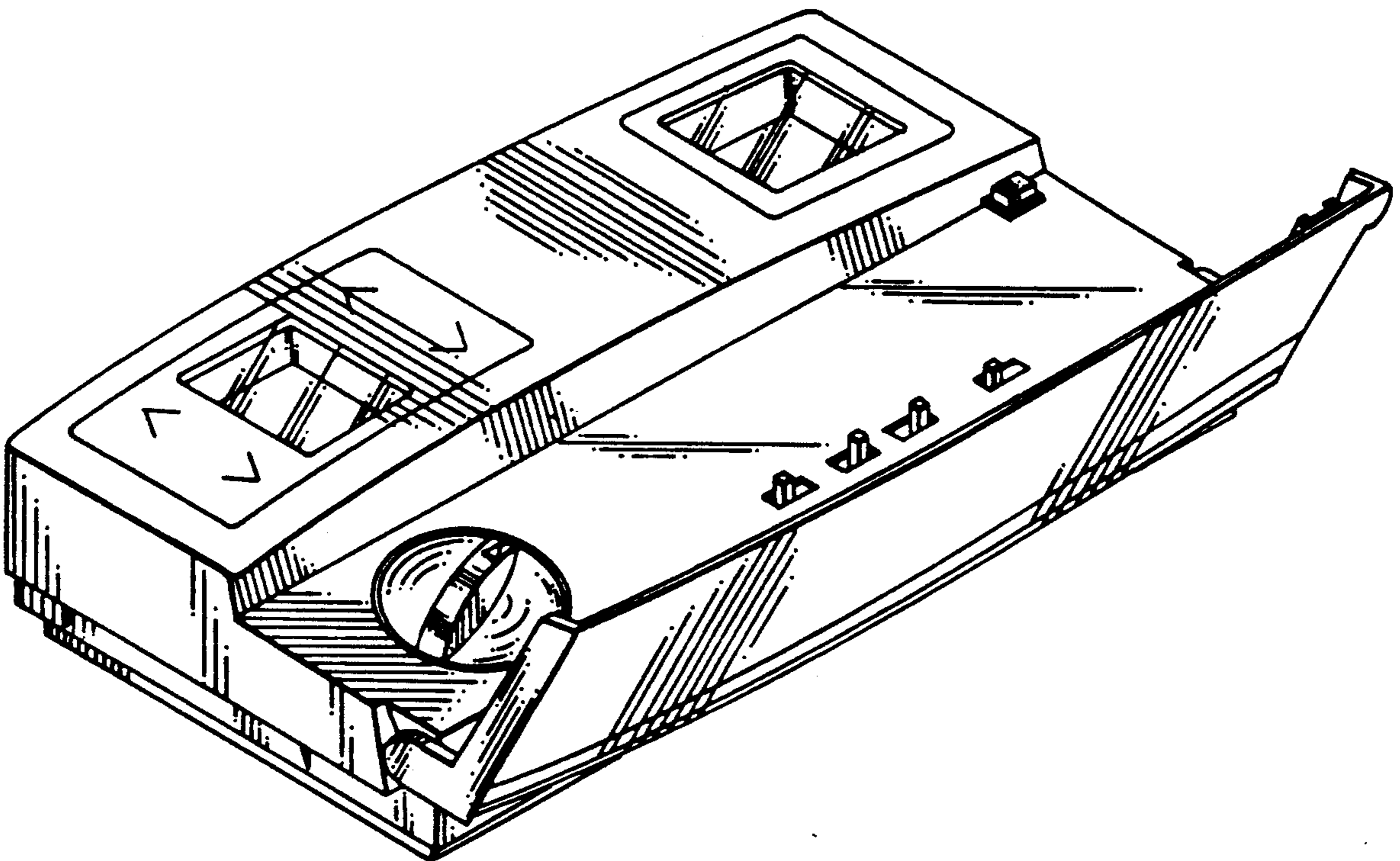
FIG. 10 is a left end elevational view thereof;

FIG. 11 is a right end elevational view thereof;

FIG. 12 is a top plan view thereof;

FIG. 13 is a bottom plan view thereof; and,

FIG. 14 is a rear elevational view thereof.



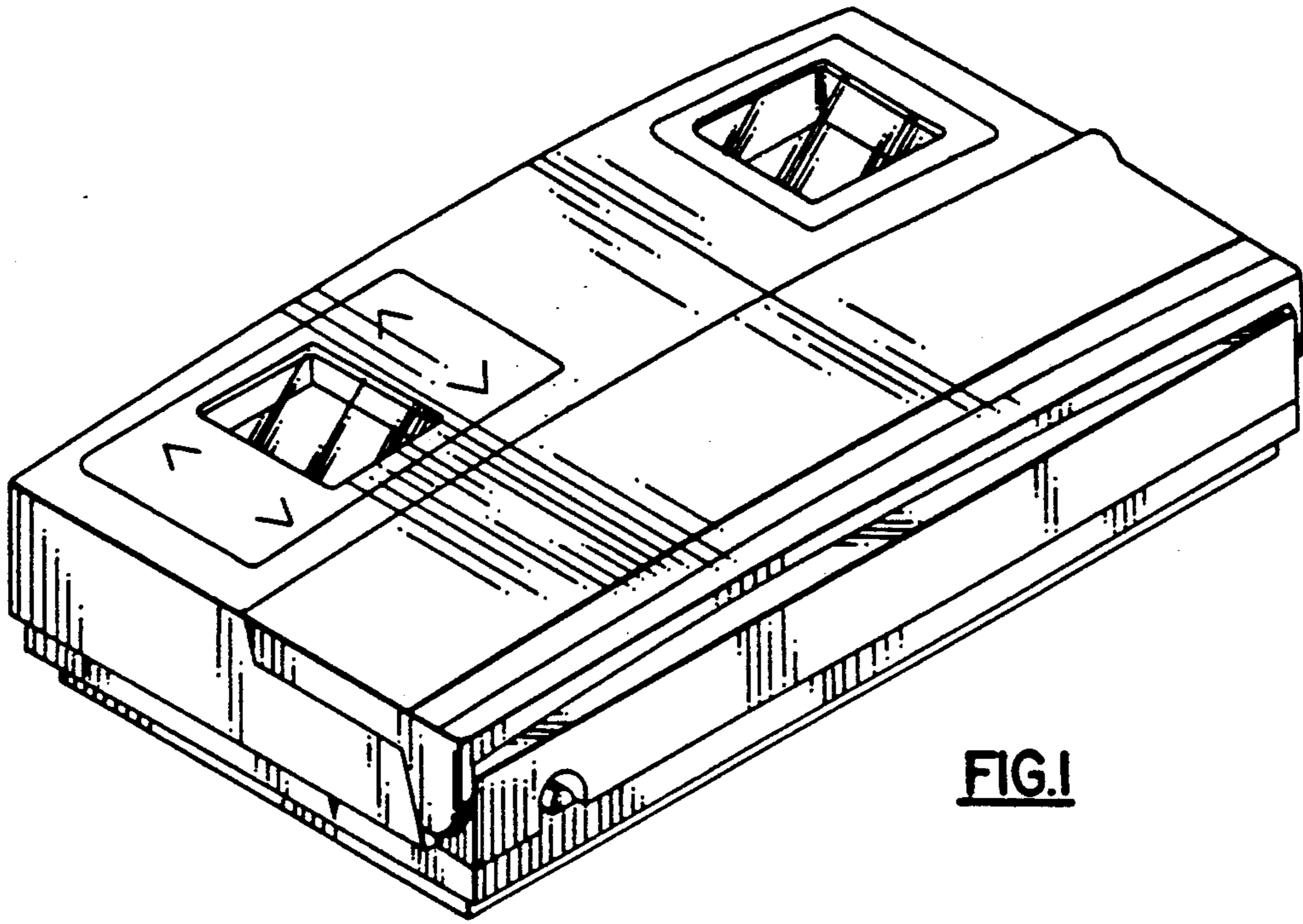


FIG.1

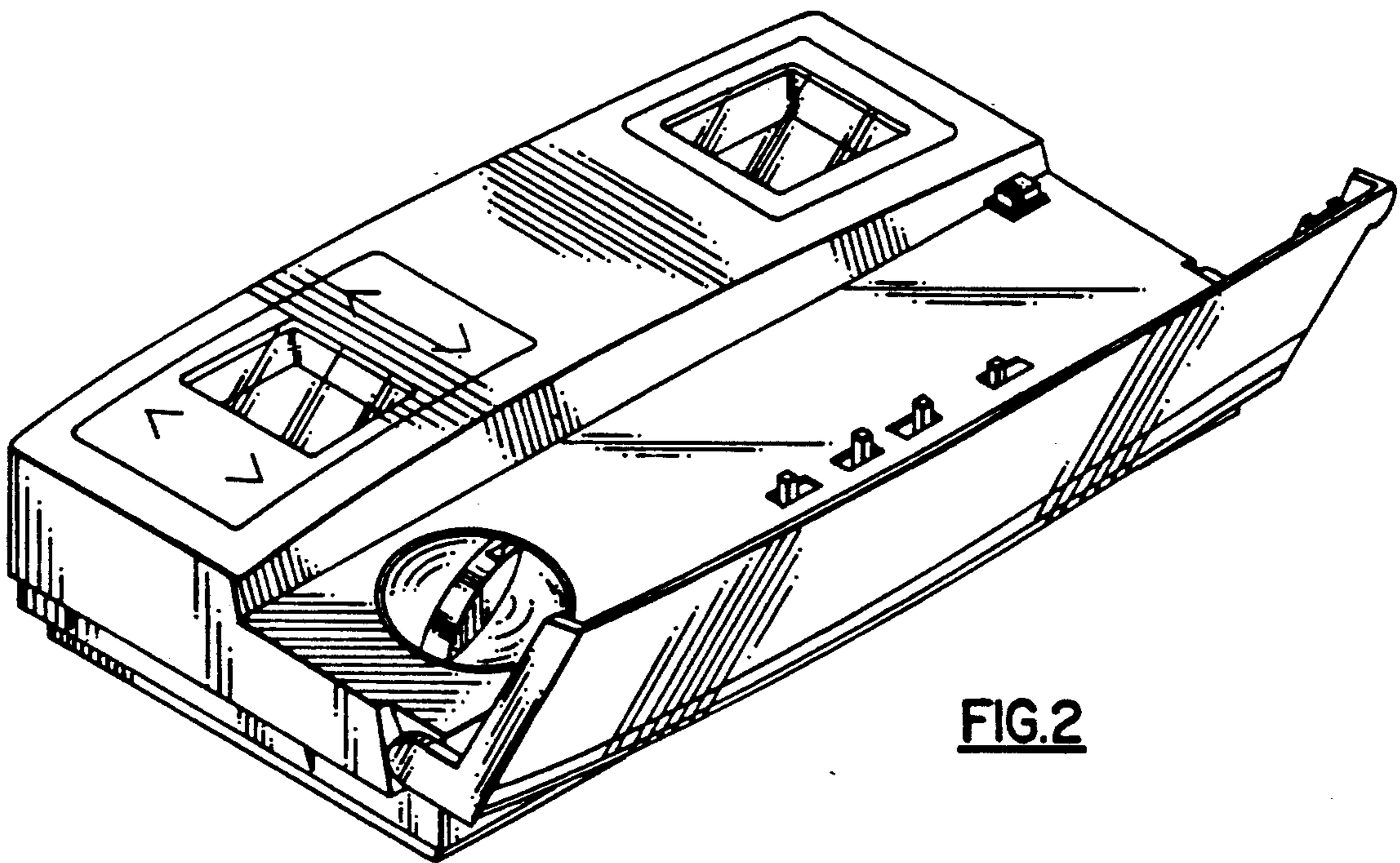


FIG.2

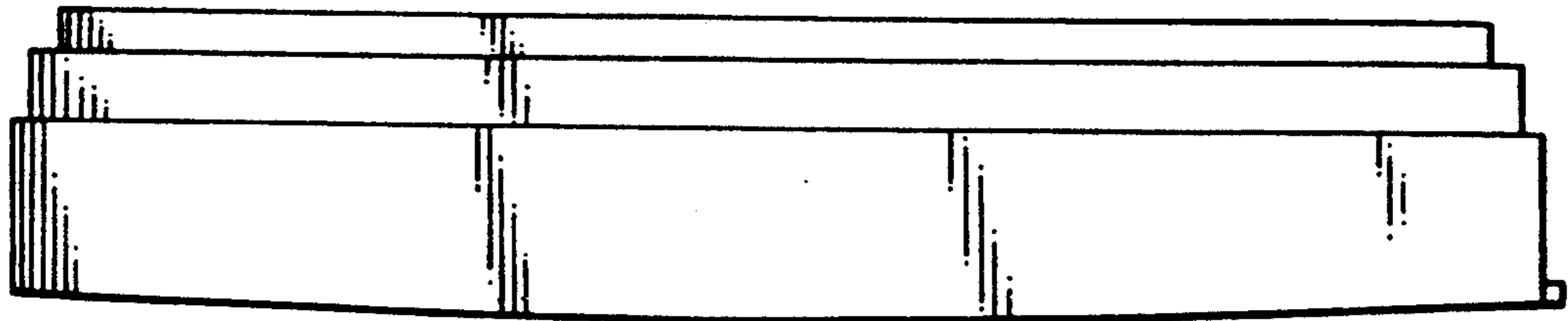


FIG. 6

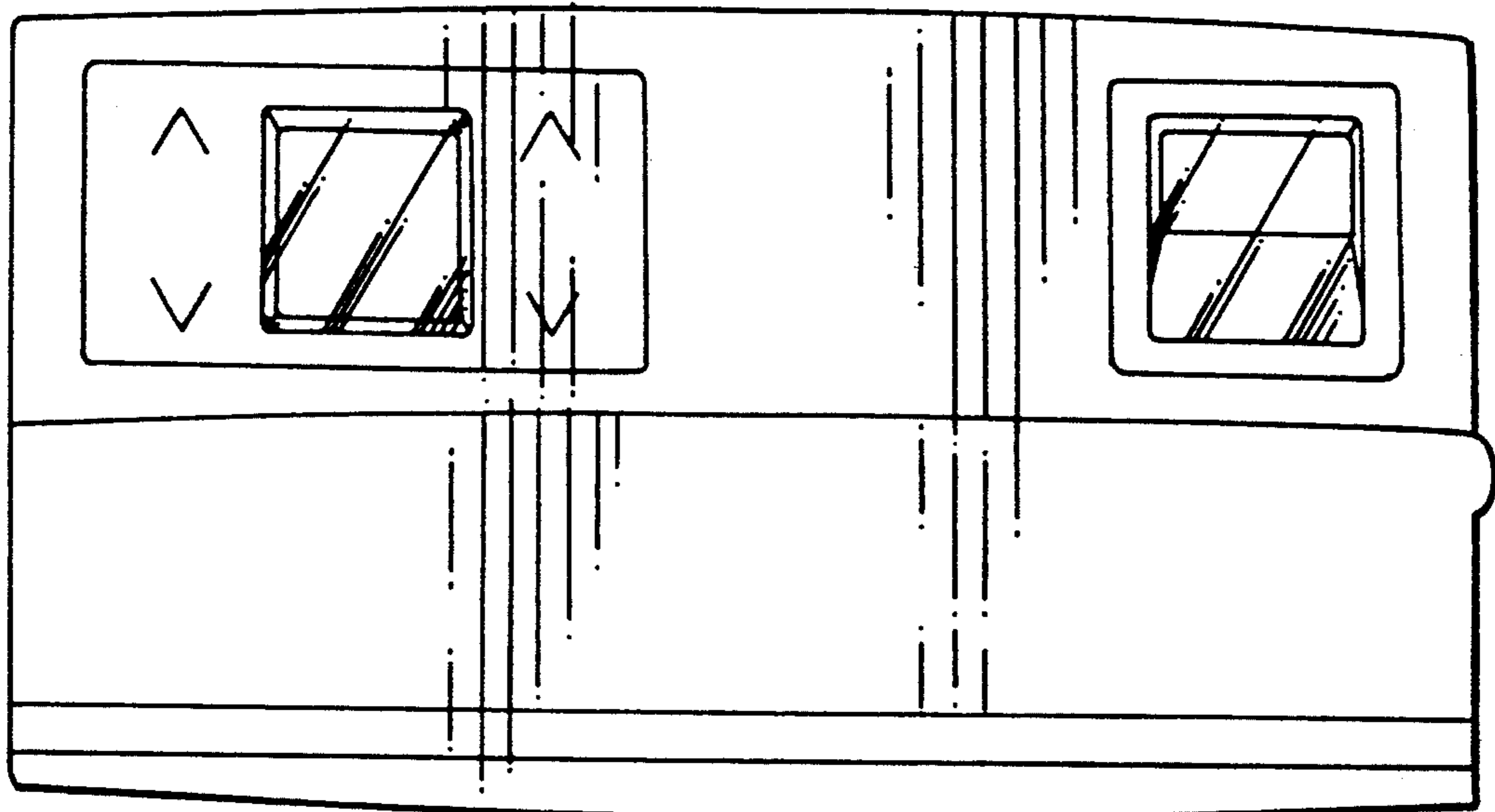


FIG. 3

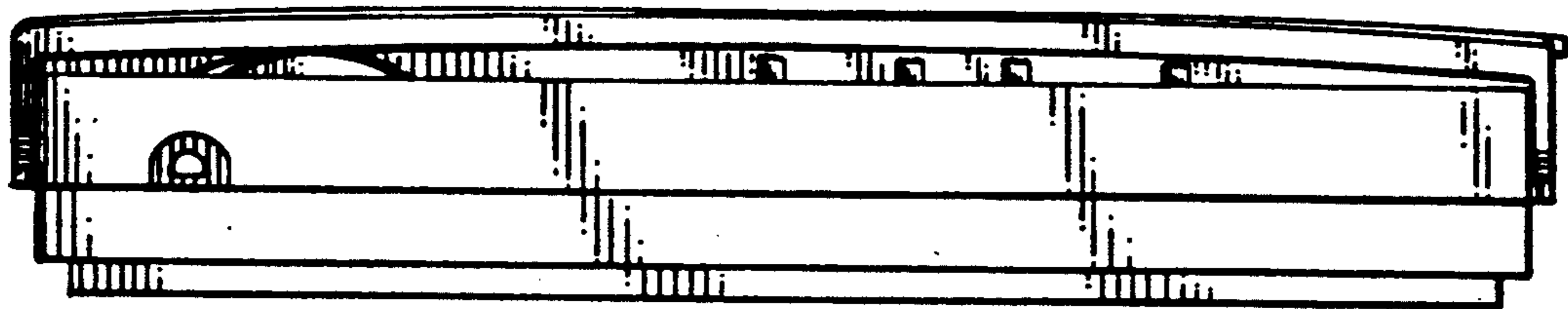


FIG. 7

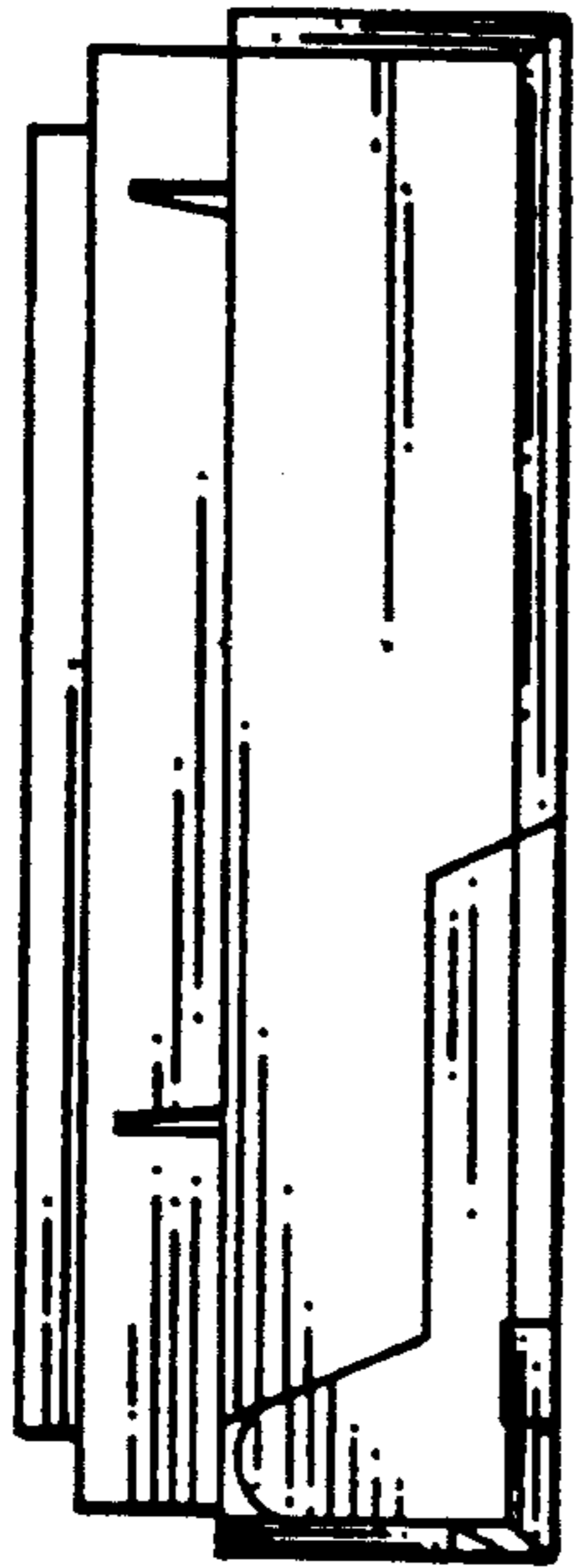


FIG. 4



FIG. 5

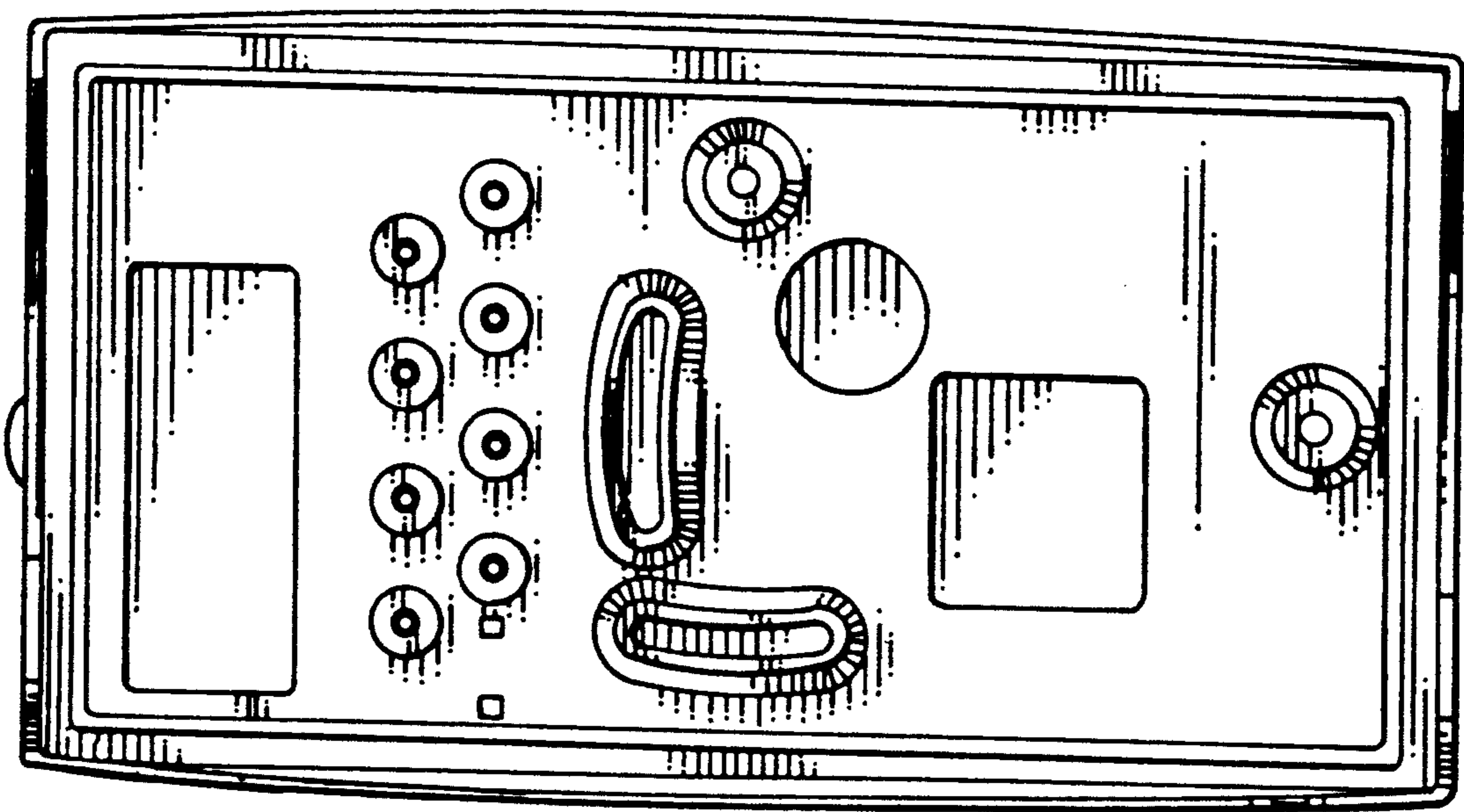


FIG. 8

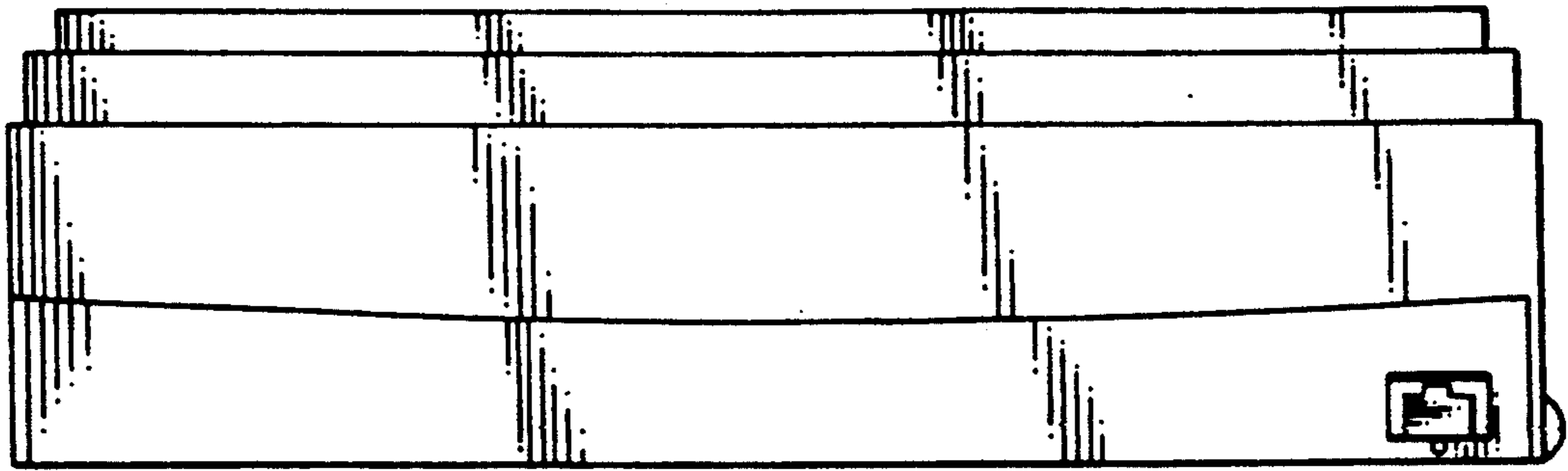


FIG.12

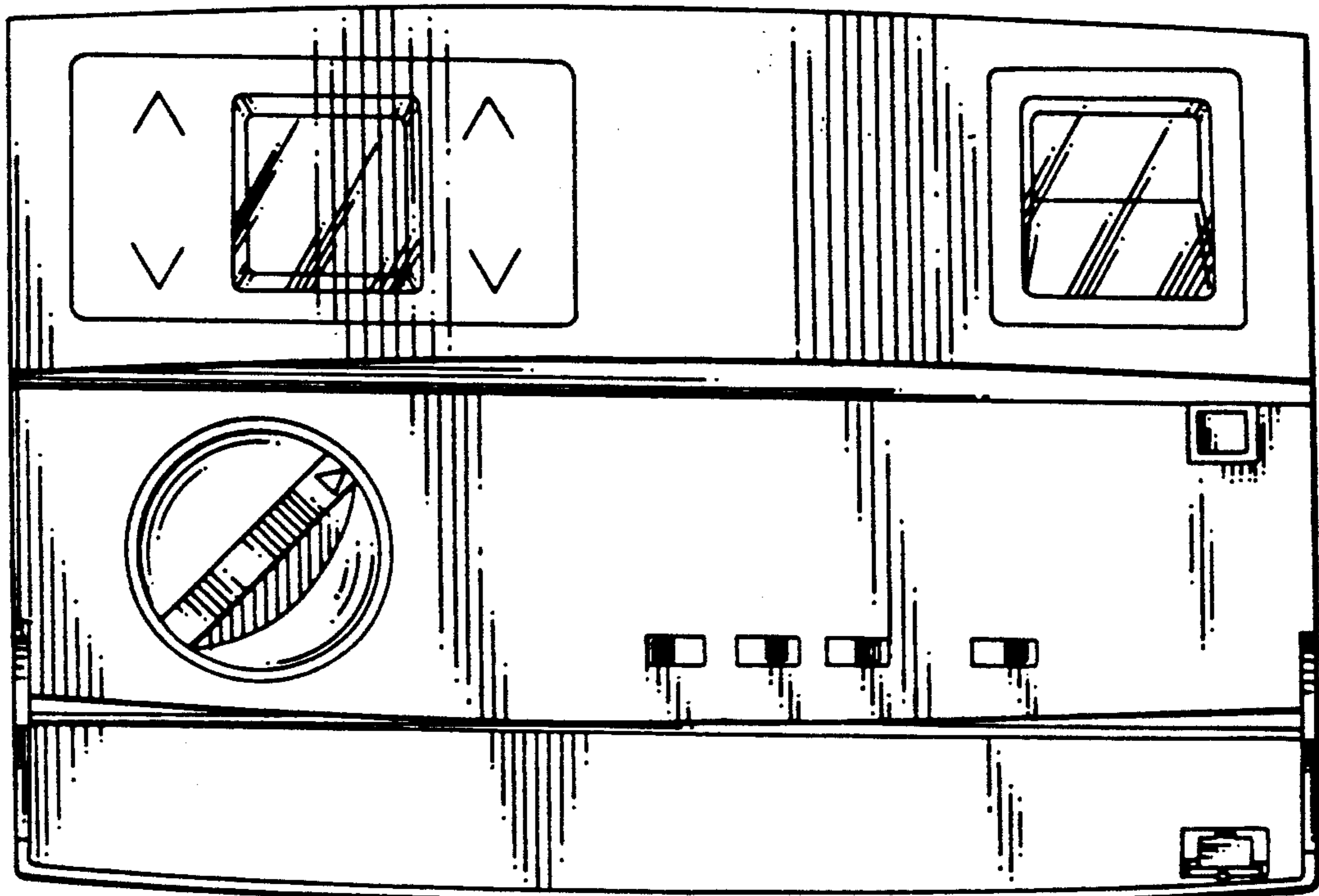


FIG.9

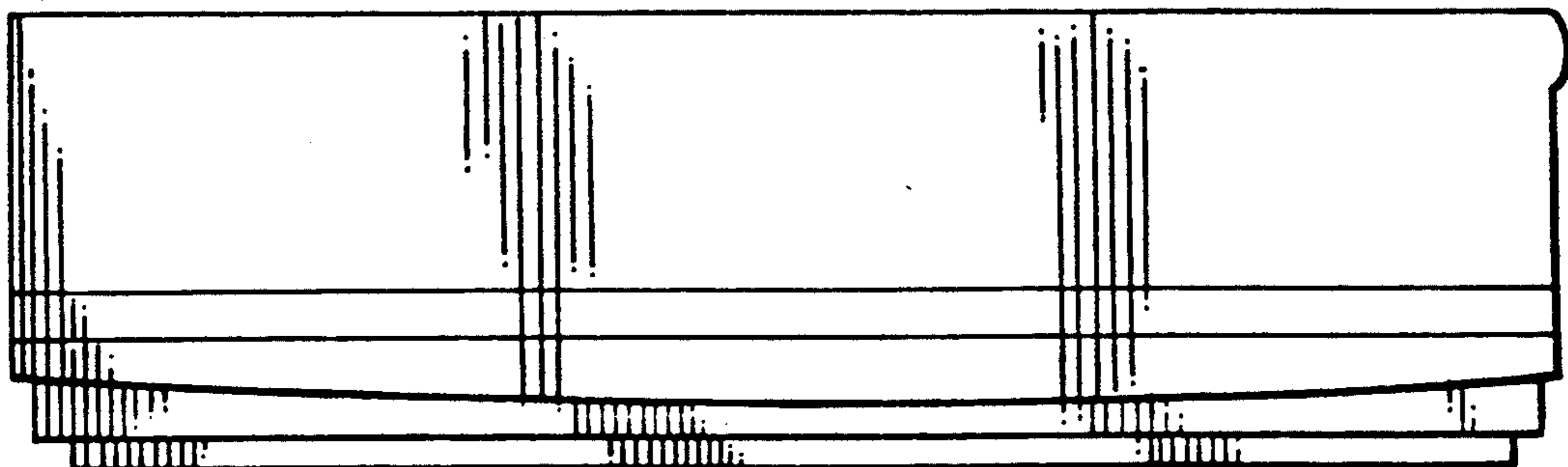


FIG.13

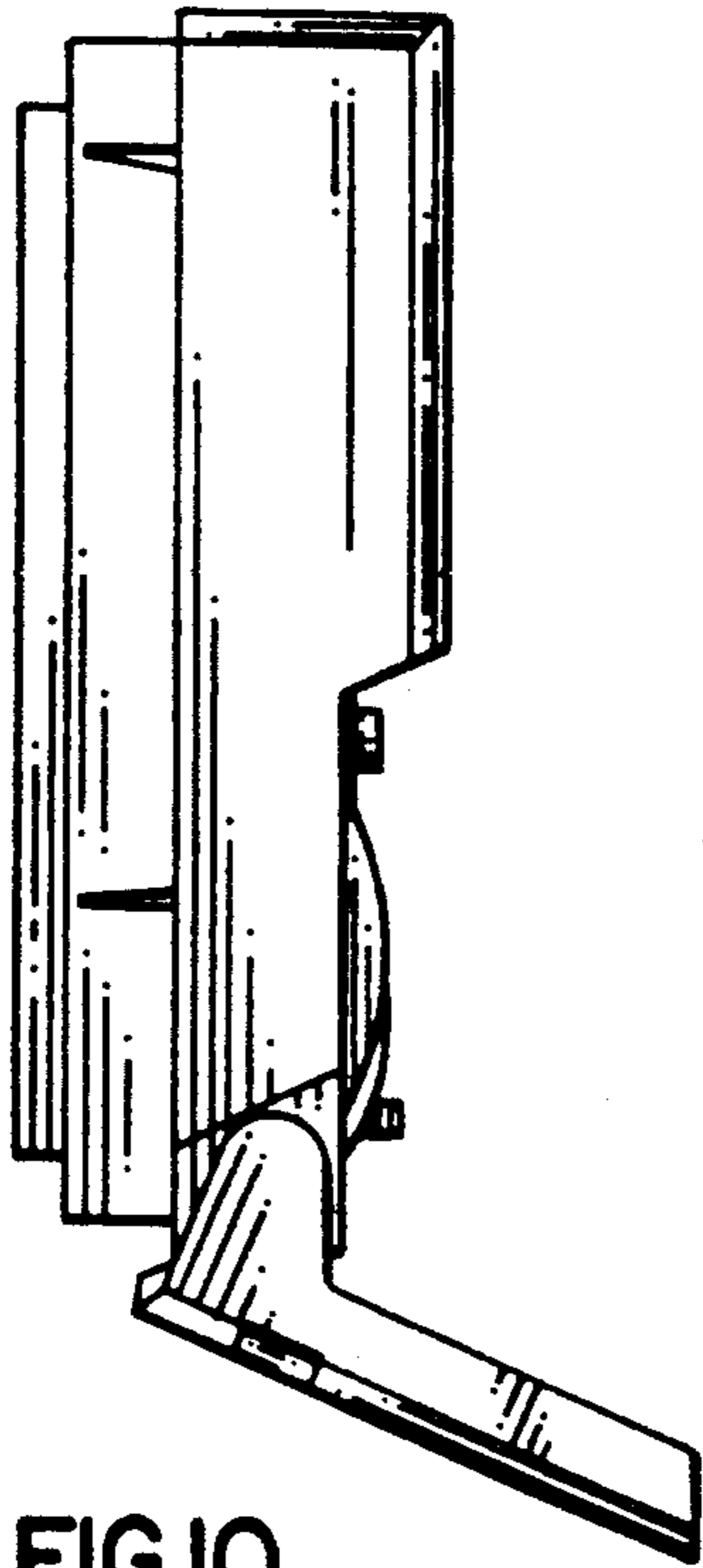


FIG.10

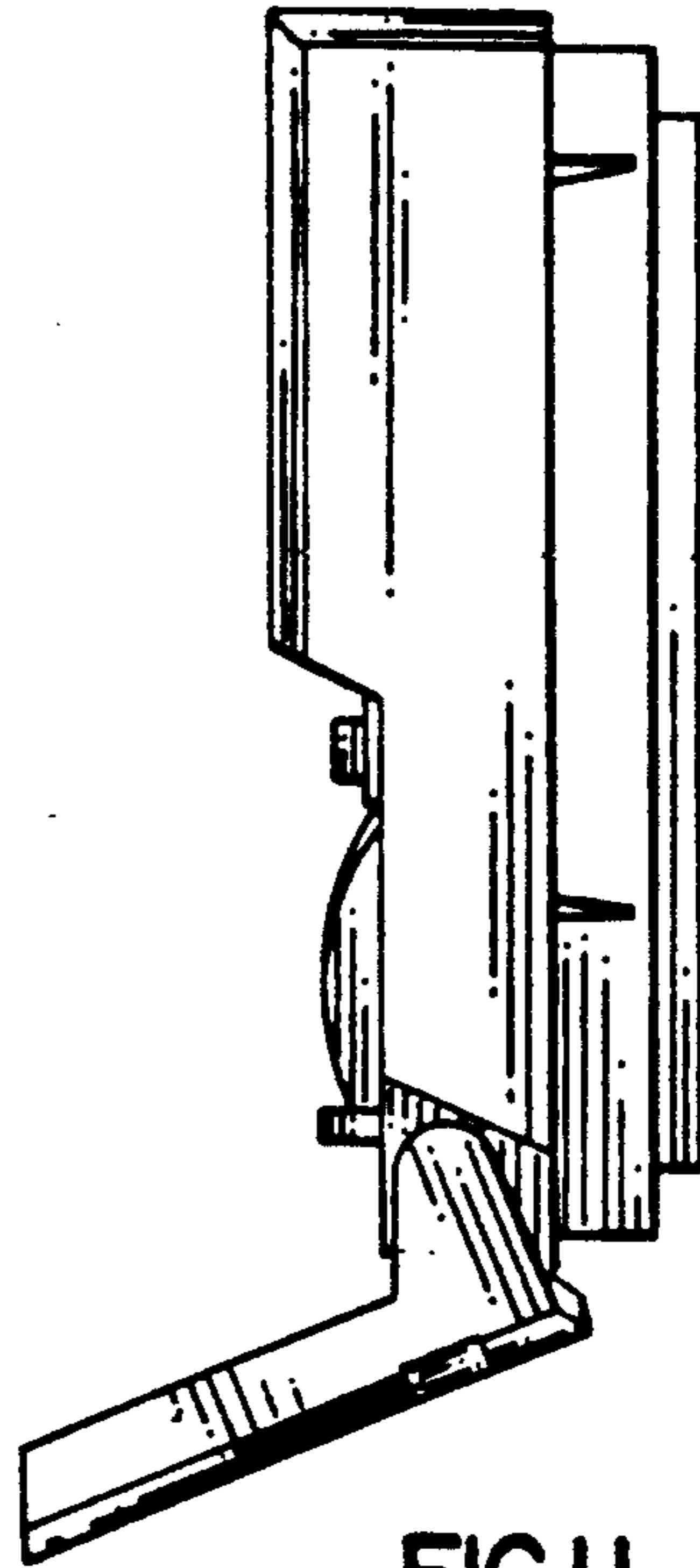


FIG.11

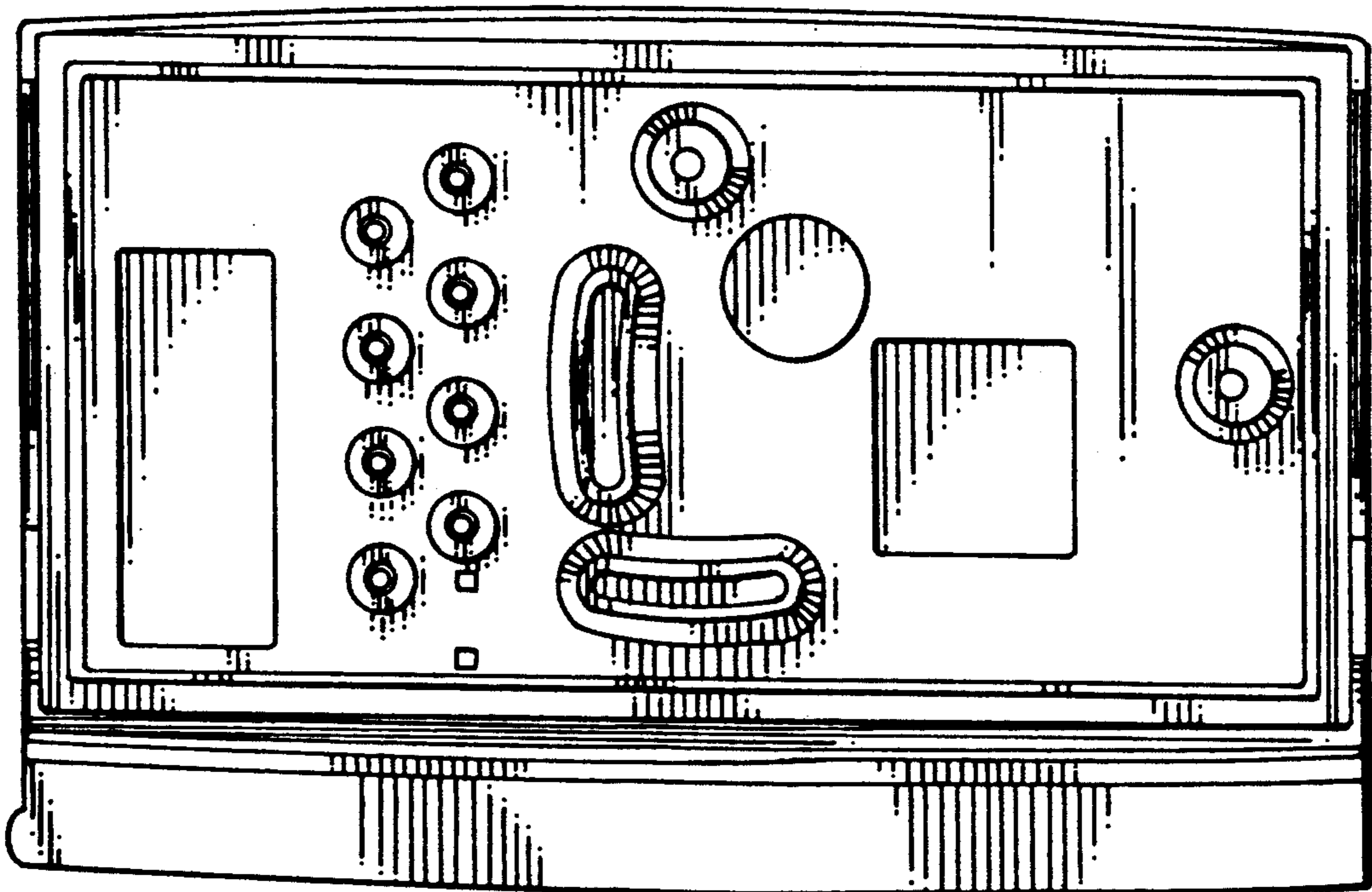


FIG.14