



US00D344450S

**United States Patent** [19]  
**Zugel**

[11] **Patent Number: Des. 344,450**

[45] **Date of Patent: \*\* Feb. 22, 1994**

[54] **DISPENSER**

[76] **Inventor: Walter K. Zugel, R.D. #1, 5 Phillip Rd., Stanhope, N.J. 07874**

[\*\*] **Term: 14 Years**

[21] **Appl. No.: 873,046**

[22] **Filed: Apr. 23, 1992**

[52] **U.S. Cl. .... D9/300; D9/301**

[58] **Field of Search .... D9/300, 301, 447, 448, D9/523, 545; 215/1 R, 1 C; 222/158, 335, 380, 383-385, 207, 405, 635**

[56] **References Cited**

**U.S. PATENT DOCUMENTS**

- D. 127,687 6/1941 Ryan ..... D9/337
- D. 168,165 11/1952 Lutz ..... D9/448 X
- D. 204,095 3/1966 White ..... D9/300 X
- D. 252,799 9/1979 Yamaguchi ..... D9/502

- D. 253,374 11/1979 Bonk ..... D9/448 X
- D. 278,118 3/1985 Hoyt ..... D9/447 X
- D. 287,462 12/1986 Bussell ..... D9/300
- D. 336,046 6/1993 Donoghue ..... D9/547

*Primary Examiner*—Bernard Ansher  
*Assistant Examiner*—M. Siegel  
*Attorney, Agent, or Firm*—S. Michael Bender

[57] **CLAIM**

The ornamental design for a dispenser, as shown and described.

**DESCRIPTION**

FIG. 1 is a front elevational view of the dispenser showing my new design;  
FIG. 2 is a rear elevational view thereof;  
FIG. 3 is a left side elevational view thereof;  
FIG. 4 is a right side elevational view thereof;  
FIG. 5 is a top plan view thereof; and,  
FIG. 6 is a bottom plan view thereof.

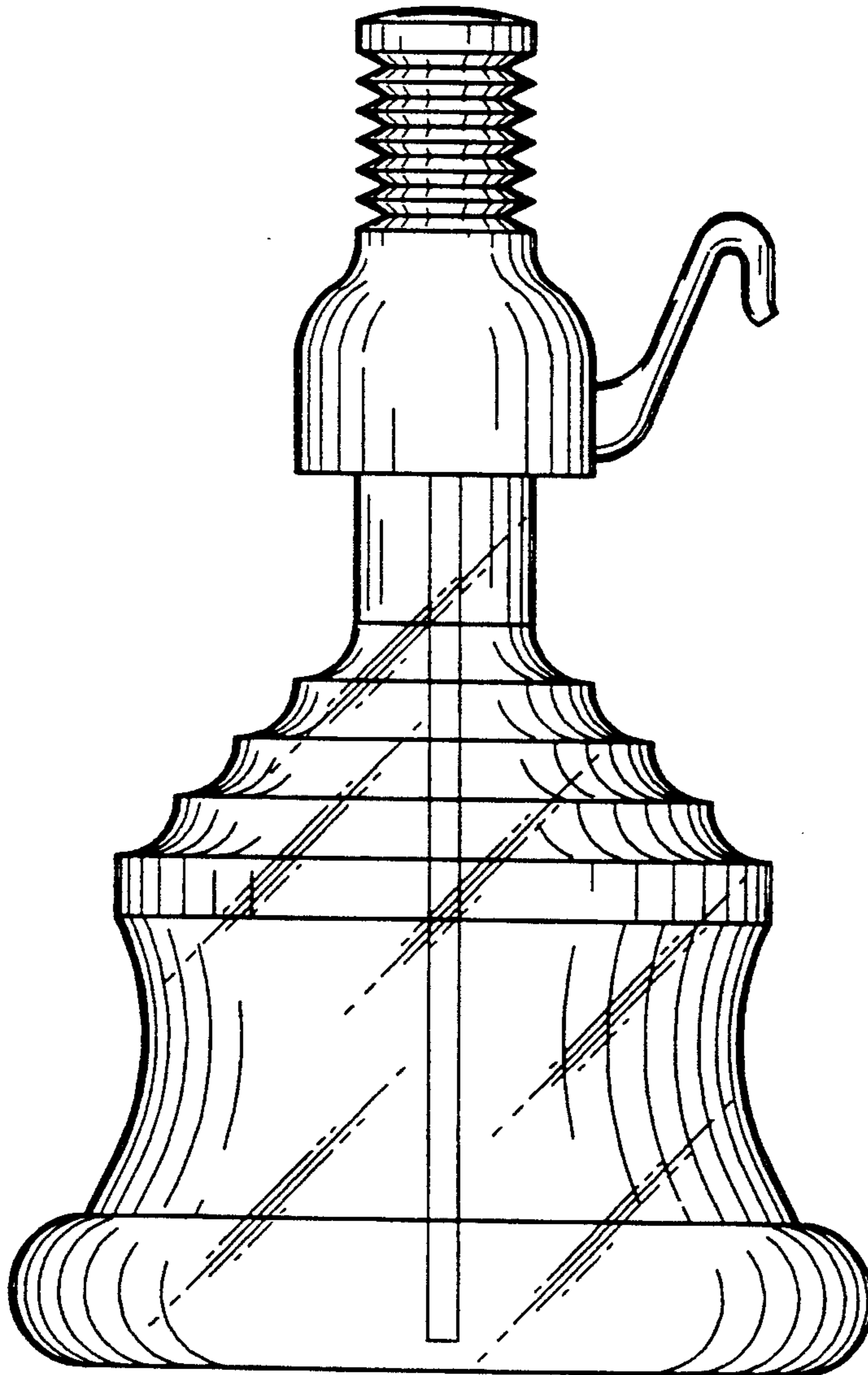


FIG. 1

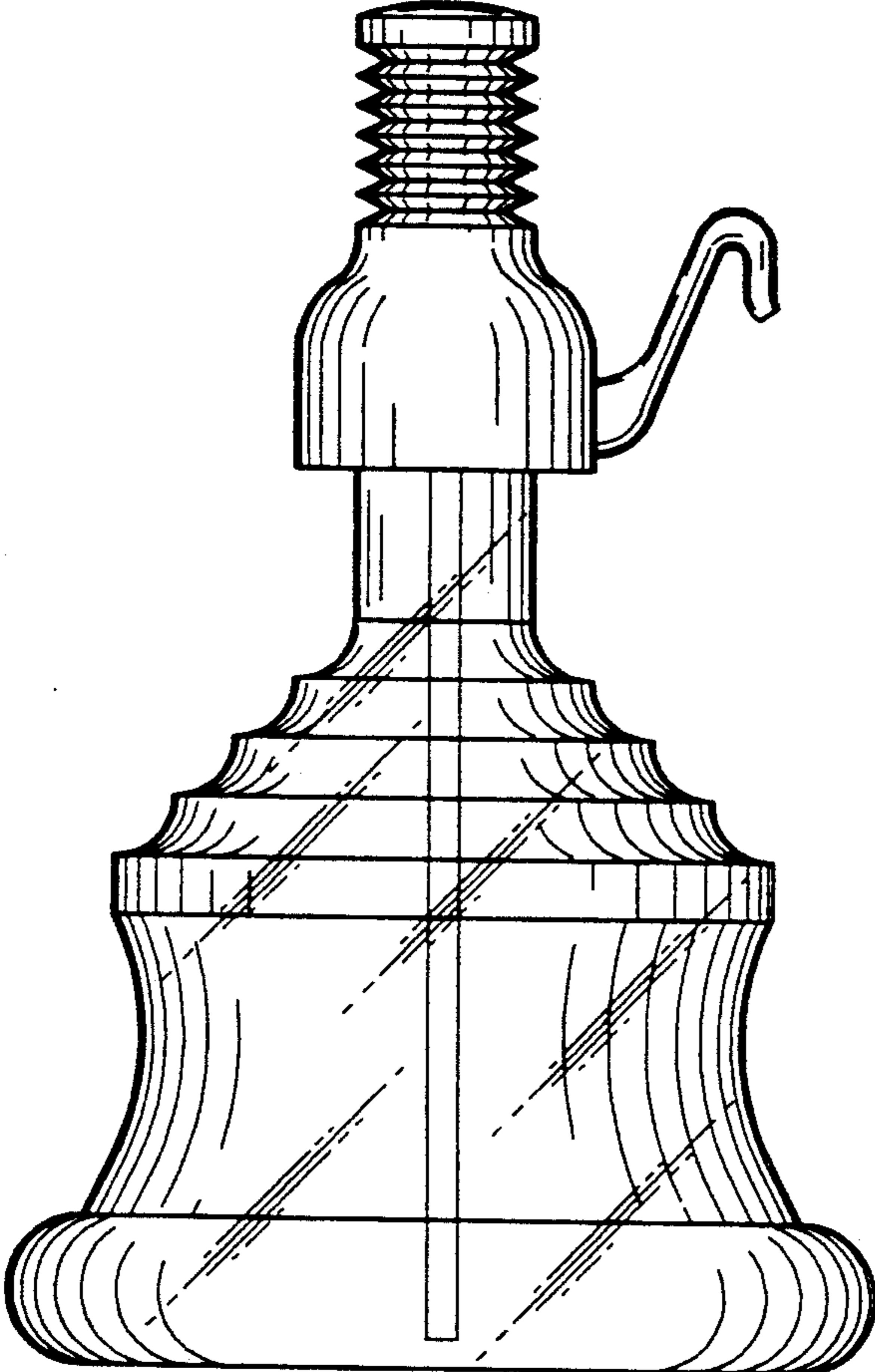


FIG. 2

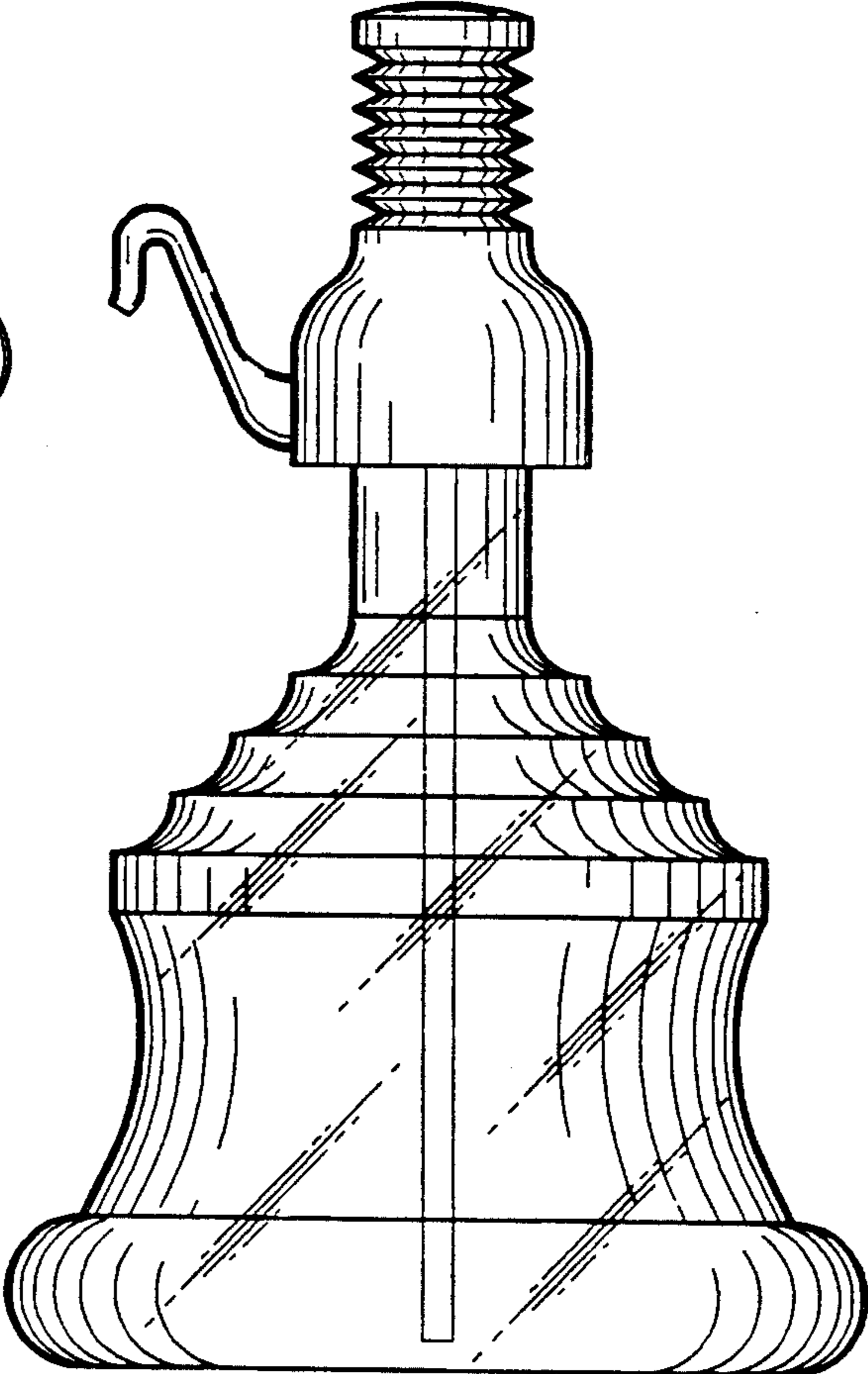


FIG. 3

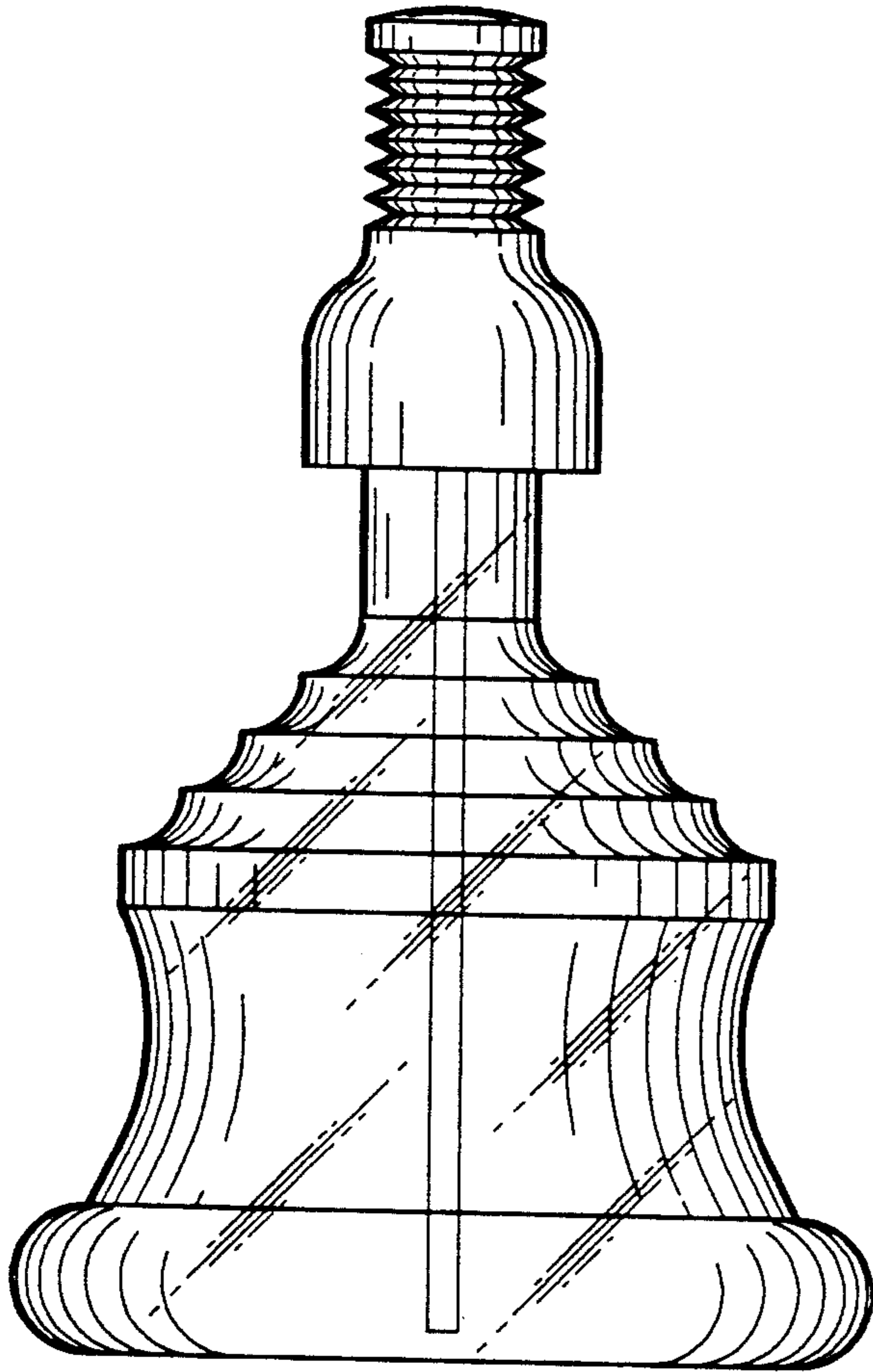


FIG. 4

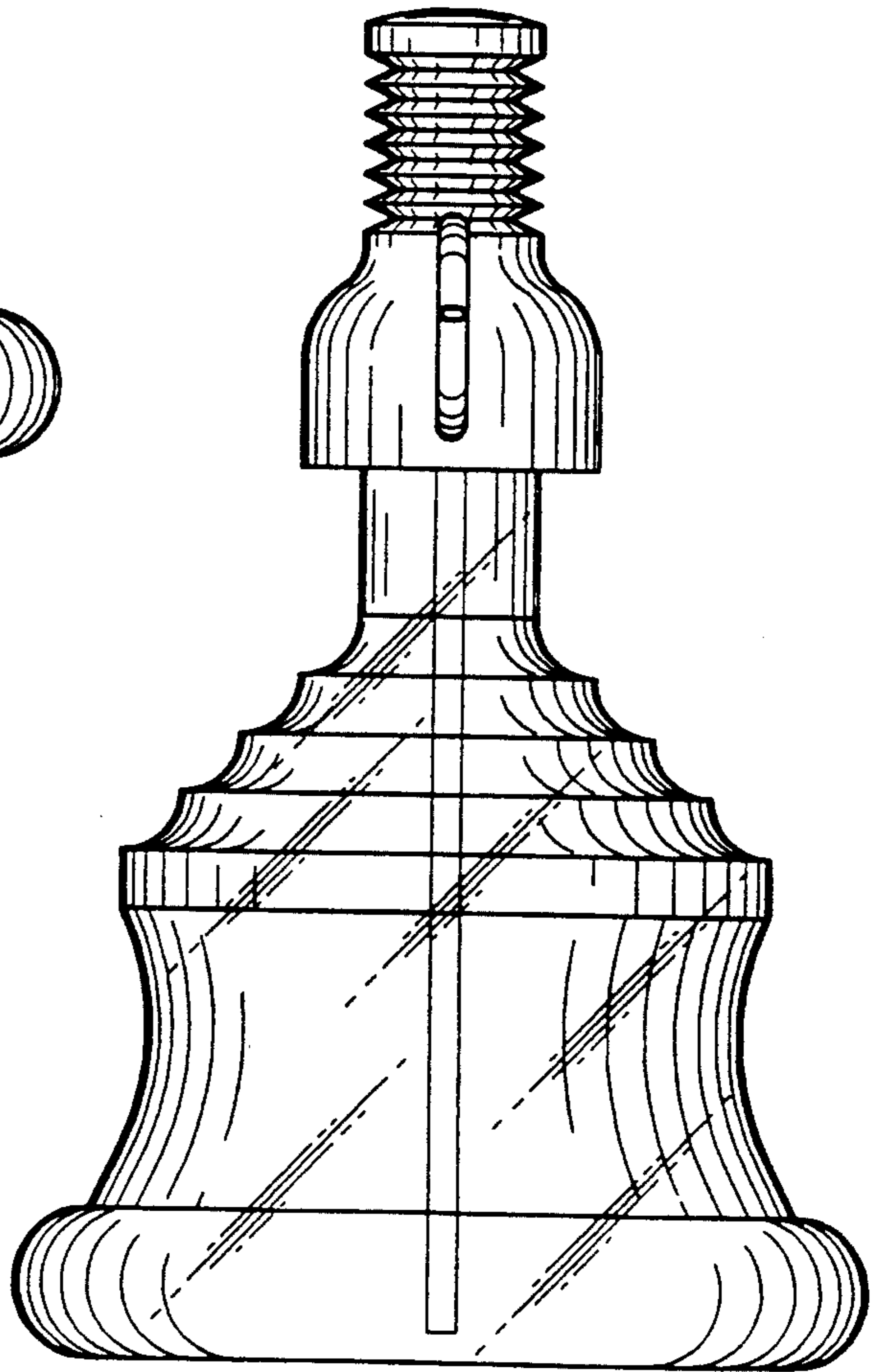




FIG. 5

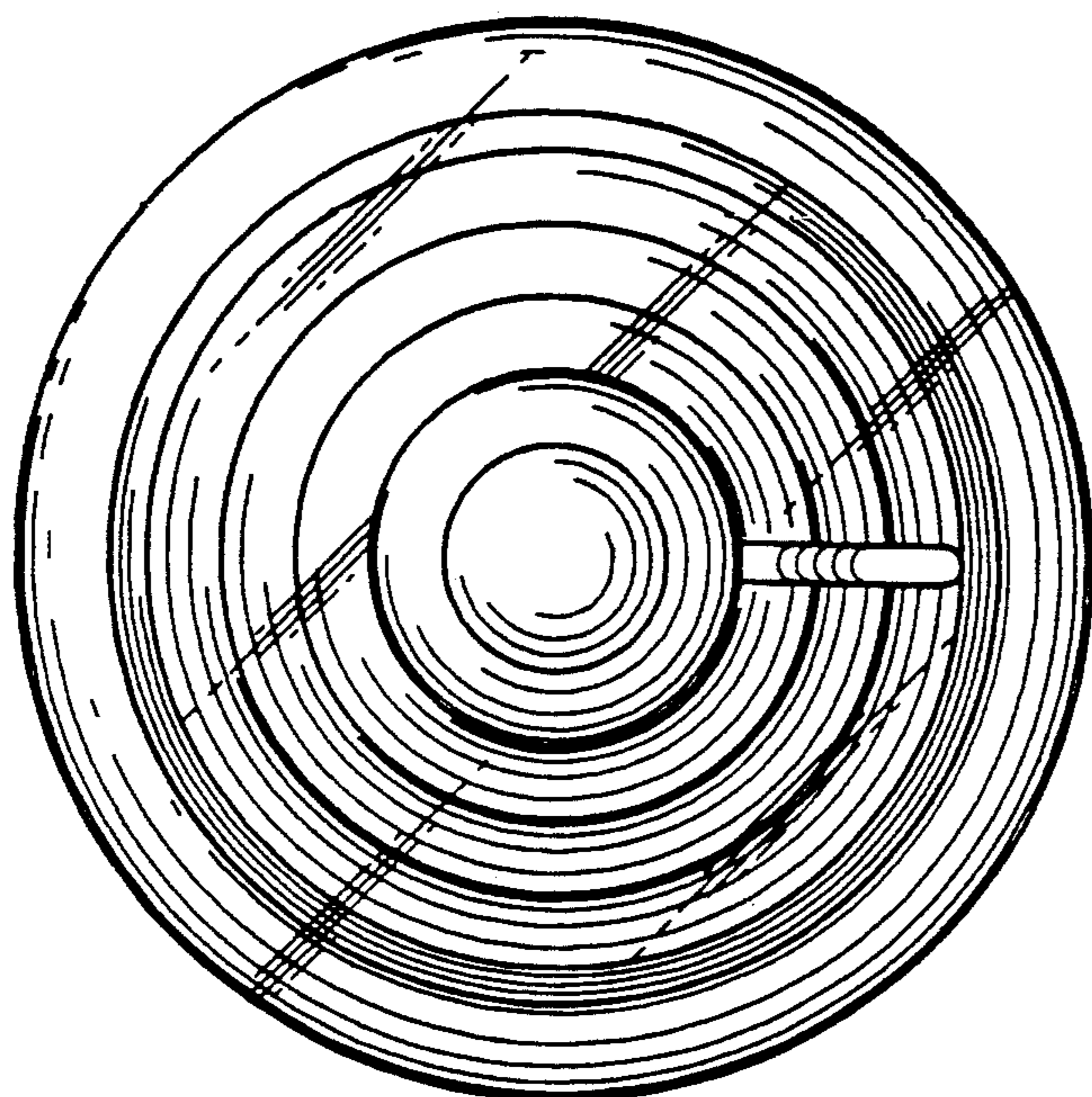


FIG. 6

