



US00D344449S

# United States Patent [19]

[11] Patent Number: **Des. 344,449**

Ward

[45] Date of Patent: **\*\* Feb. 22, 1994**

[54] **C-SHAPED WIRE CLIP**

[75] Inventor: **John F. Ward, Midhurst, Canada**

[73] Assignee: **Canplas Industries Ltd., Barrie, Canada**

[\*\*] Term: **14 Years**

[21] Appl. No.: **867,902**

[22] Filed: **Apr. 13, 1992**

3,032,603	5/1962	Whitley	174/94
3,313,009	4/1967	Beckerer	24/257
3,807,675	4/1974	Seckerson et al.	248/73
3,893,647	7/1975	Kennedy	248/68
4,407,472	10/1983	Beck	248/89
4,609,171	9/1986	Matsui	248/74.3
4,617,775	10/1986	Padrun	52/684
4,618,114	10/1986	McFarland	248/65
4,864,697	9/1989	Sparks et al.	24/336
5,079,802	1/1992	Blase et al.	24/339

[30] **Foreign Application Priority Data**

Mar. 6, 1992 [CA] Canada ..... 1992-03-06

[52] U.S. Cl. .... **D8/395; D8/396**

[58] Field of Search ..... **D8/395, 396; 248/68.1, 248/74.2, 230, 231.8, 73; 24/545, 546, 336, 339, 129 C**

Primary Examiner—**B. J. Bullock**  
 Attorney, Agent, or Firm—**Bereskin & Parr**

[57] **CLAIM**

The ornamental design for a c-shaped wire clip, as shown.

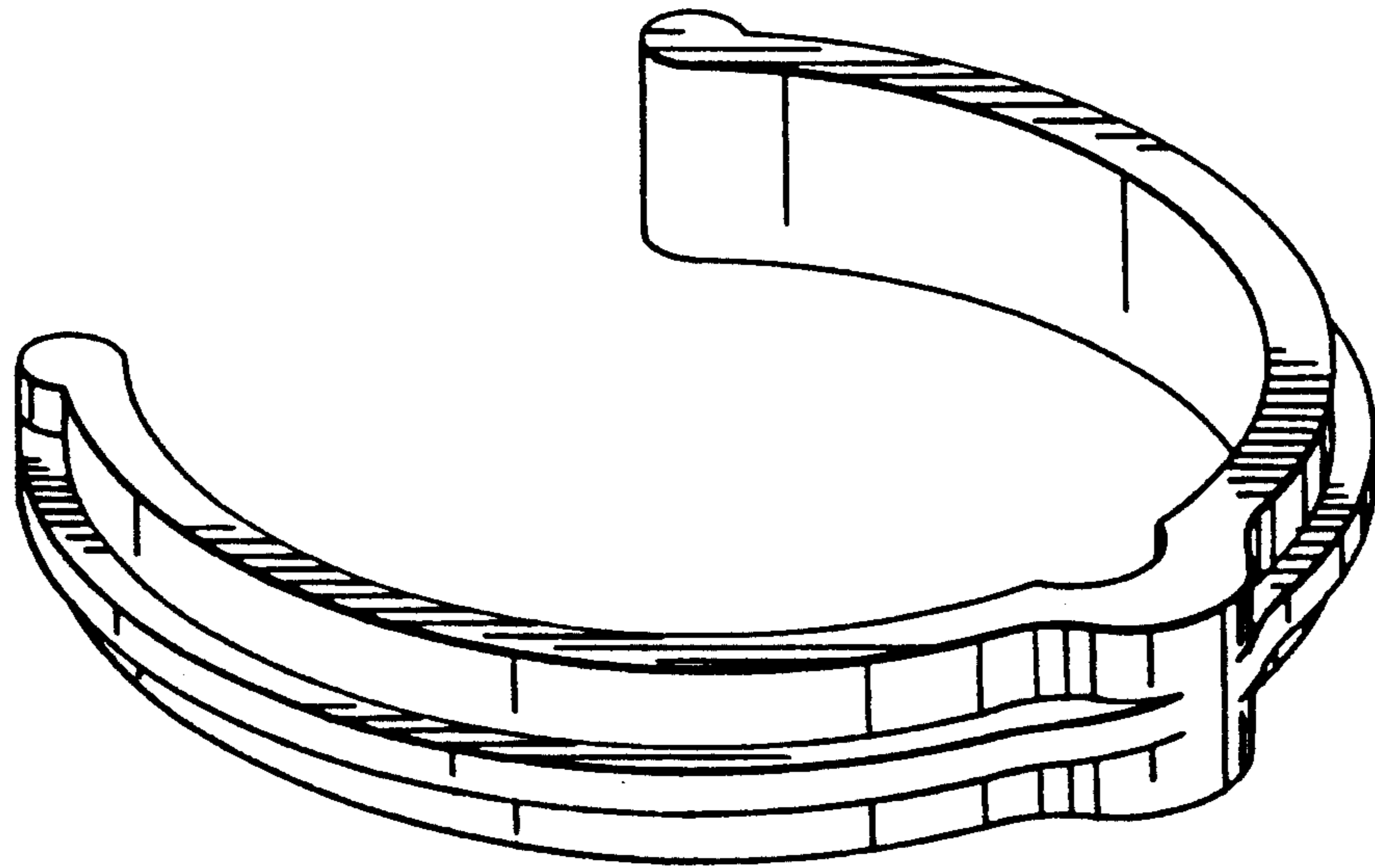
**DESCRIPTION**

FIG. 1 is a front perspective view of my design for a c-shaped wire clip;  
 FIG. 2 is a rear perspective view of my design for a c-shaped wire clip;  
 FIG. 3 is a top view of my design;  
 FIG. 4 is an end view along arrow 4 of FIG. 3;  
 FIG. 5 is an end view along arrow 5 of FIG. 3; and,  
 FIG. 6 is a side view along arrow 6 of FIG. 3.

[56] **References Cited**

**U.S. PATENT DOCUMENTS**

D. 248,347	7/1978	McCollum	D8/396
D. 269,156	5/1983	Slinkard	D8/396
2,303,108	11/1942	Blackburn	248/73
2,474,158	6/1949	Neely	24/129 C
2,666,613	1/1954	Astleford	248/73



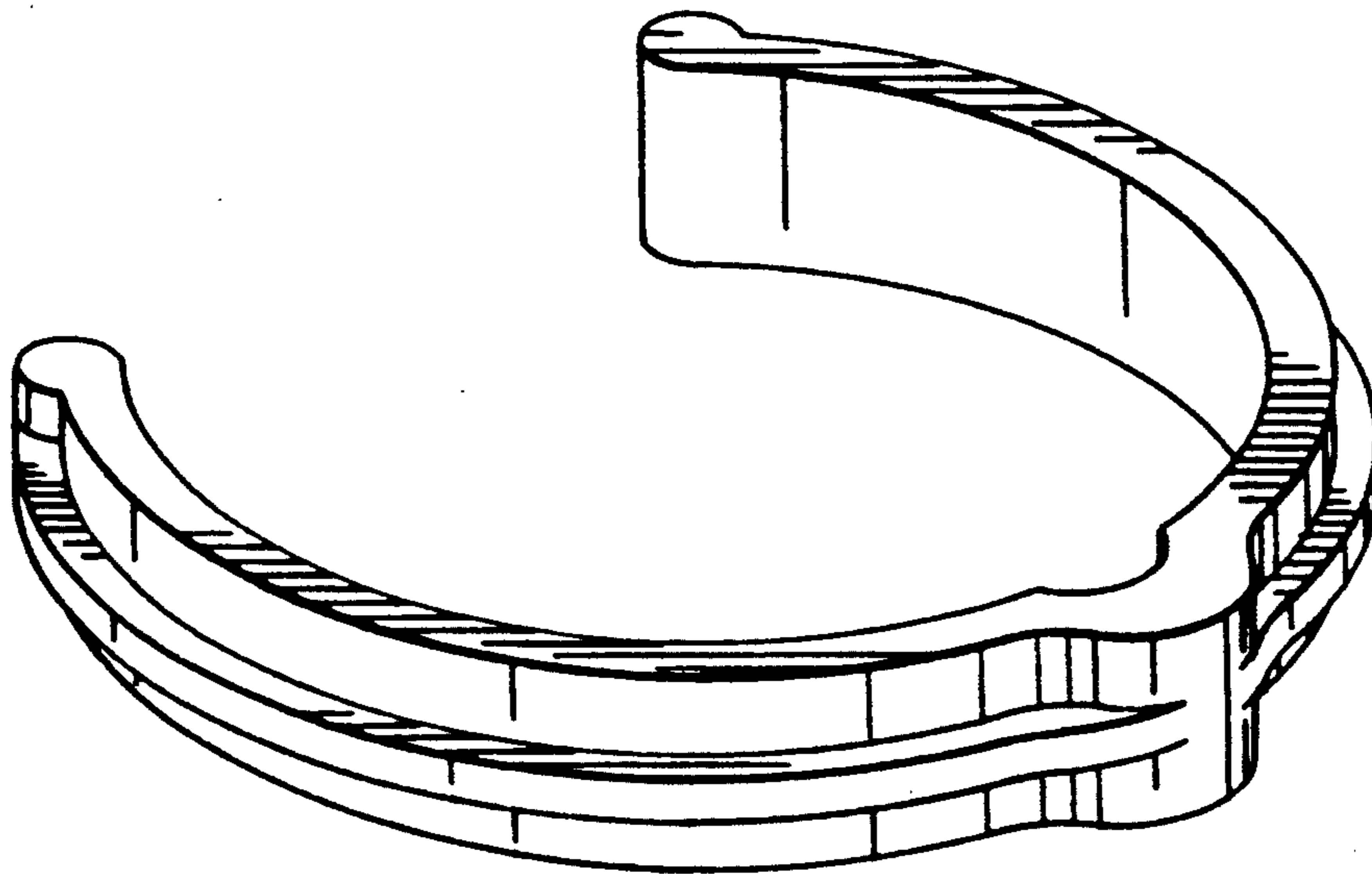


FIG. 1

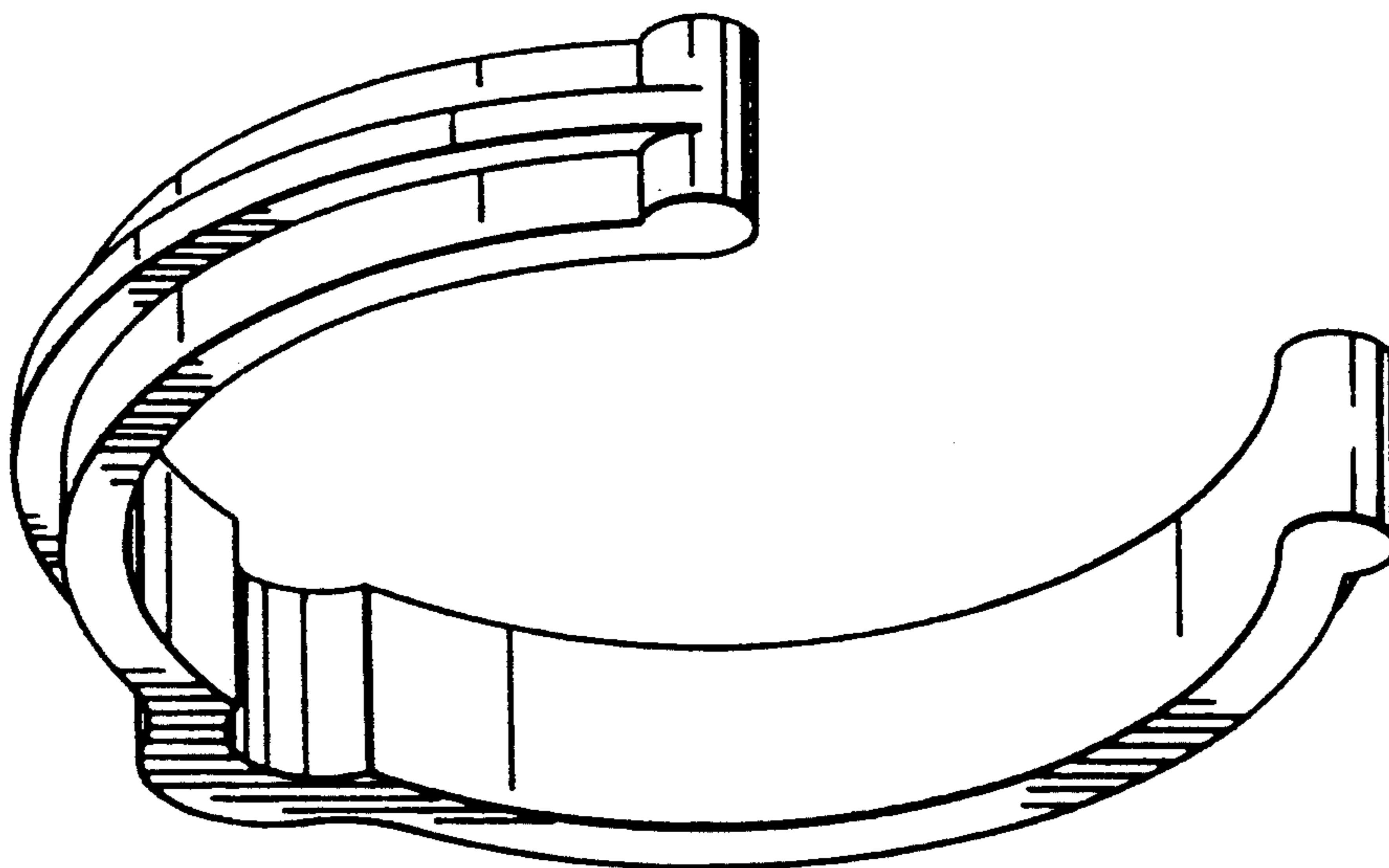


FIG. 2

