



US00D344447S

United States Patent [19]

[11] Patent Number: **Des. 344,447**

Kuehl et al.

[45] Date of Patent: **** Feb. 22, 1994**

[54] **FLAGPOLE BRACKET**

4,017,998 4/1977 Dumler 248/514
4,270,724 6/1981 McMullen 248/534

[76] Inventors: **Robert J. Kuehl**, 331 Pease Rd.;
Frank M. Falcone, 41 Edmund St.,
both of East Longmeadow, Mass.
01028

FOREIGN PATENT DOCUMENTS

208309 1/1940 Switzerland 248/514

[**] Term: **14 Years**

Primary Examiner—Wallace R. Burke
Assistant Examiner—H. Baynham
Attorney, Agent, or Firm—Ross, Ross & Flavin

[21] Appl. No.: **933,518**

[57] **CLAIM**

[22] Filed: **Aug. 24, 1992**

[52] U.S. Cl. **D8/373; D11/182**

The ornamental design for flagpole bracket, as shown and described.

[58] Field of Search **D8/380, 373; 16/87.2;**
248/514, 538; 116/173-174; D11/182

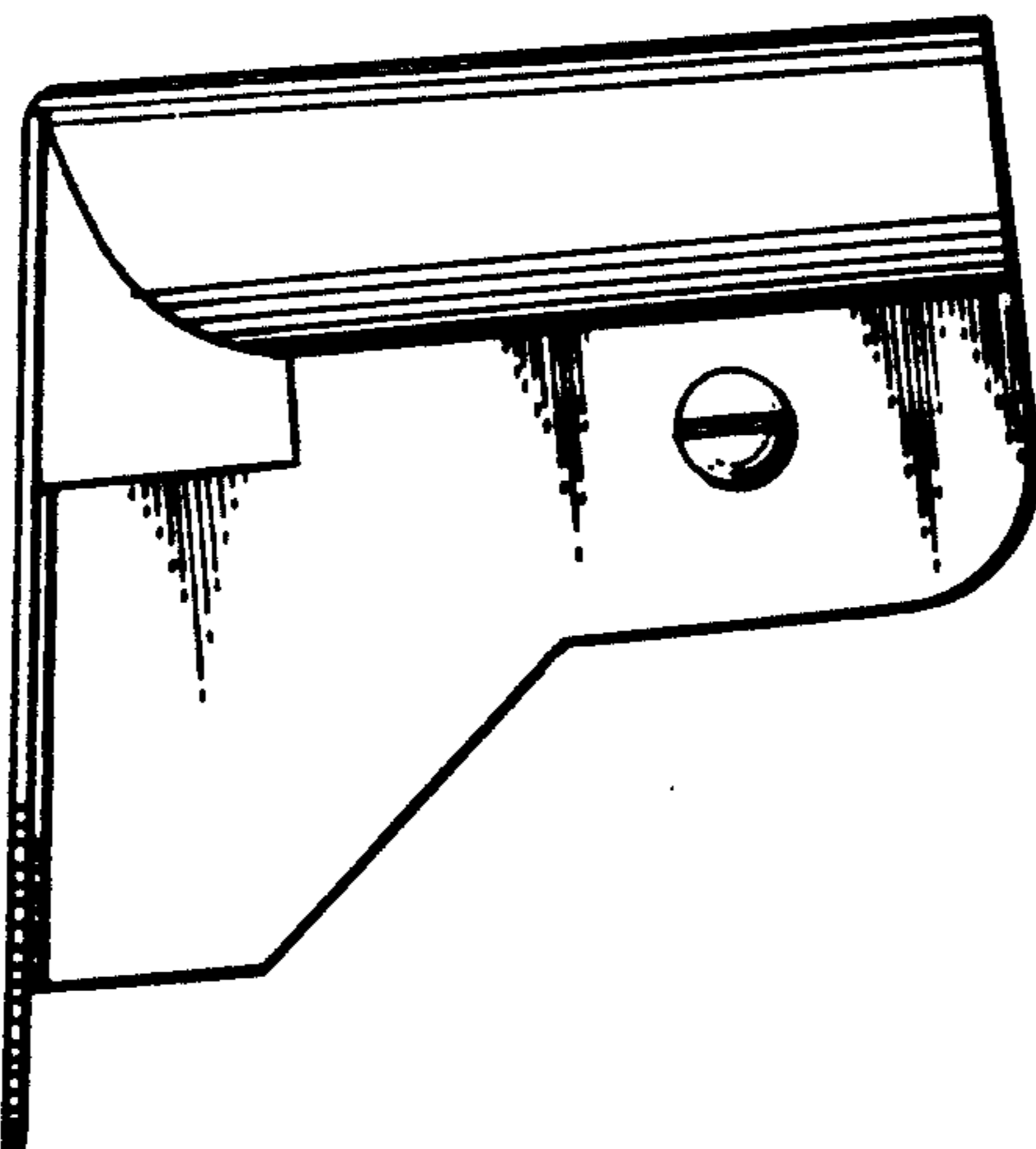
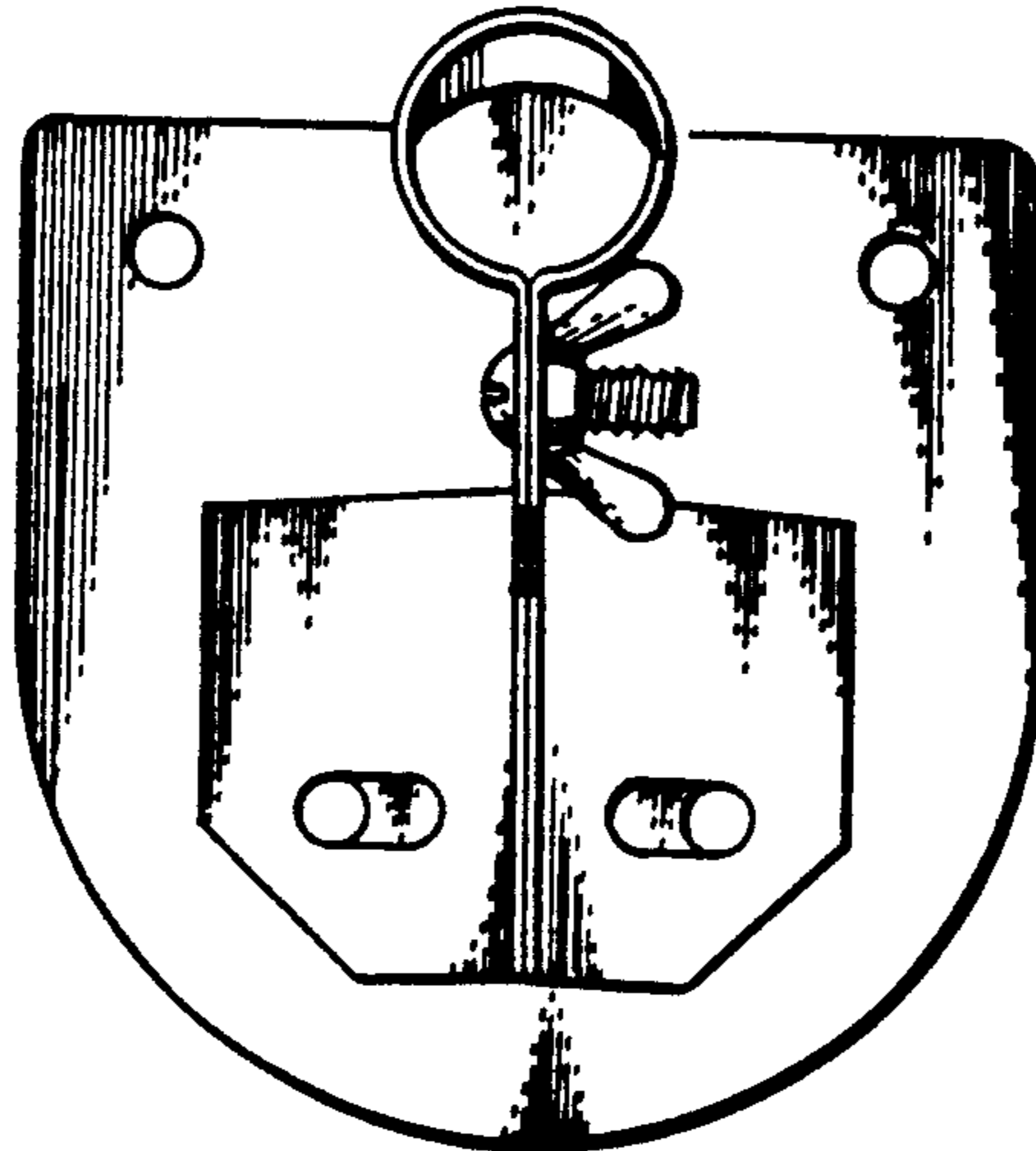
DESCRIPTION

[56] **References Cited**

U.S. PATENT DOCUMENTS

D. 46,417	9/1914	Tice	D11/182
D. 271,006	10/1983	Bernatek, Sr.	D11/182
D. 335,254	5/1993	Carter	D8/373 X
1,281,748	10/1918	America	248/538
2,174,140	9/1939	Schofield	248/538 X
2,576,624	11/1951	Miller	248/514
2,794,414	6/1957	Reifschneider	116/173

FIG. 1 is a front elevational view of flagpole bracket embodying our new design;
FIG. 2 is a rear elevational view thereof;
FIG. 3 is a side elevational view thereof as seen from the left of FIG. 1;
FIG. 4 is a side elevational view thereof as seen from the right of FIG. 1;
FIG. 5 is a top plan view thereof; and,
FIG. 6 is a bottom plan view thereof.



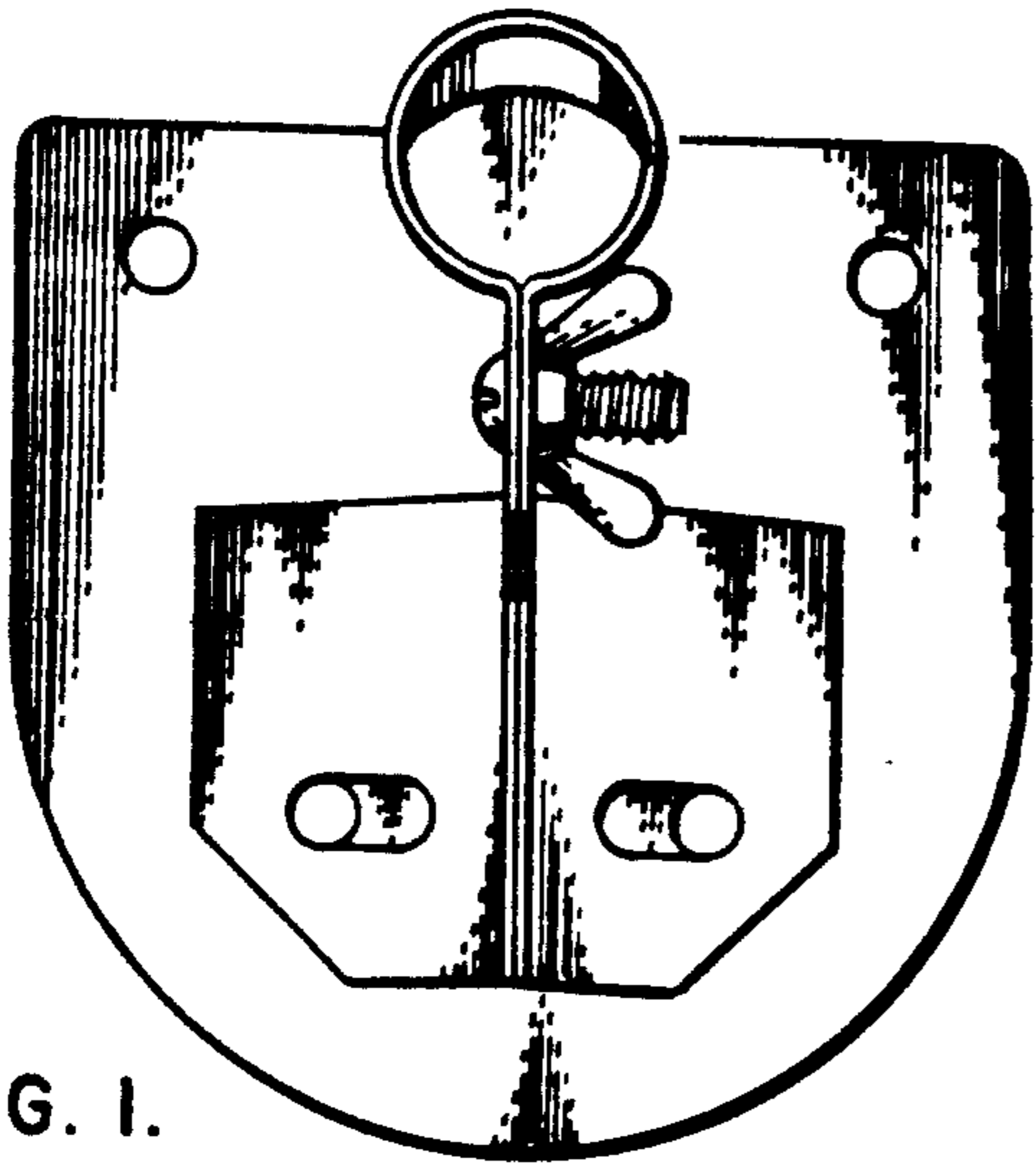


FIG. 1.

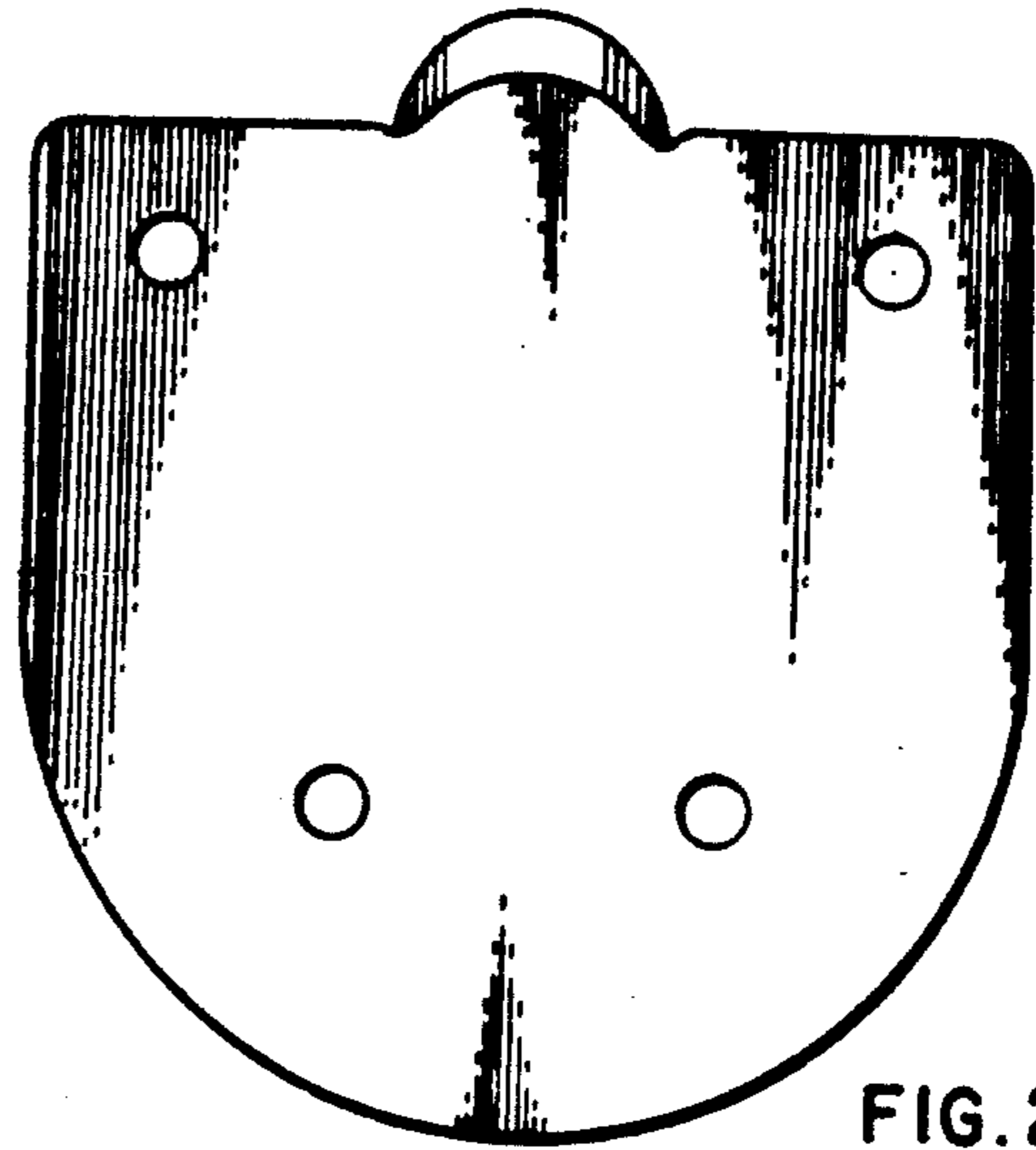


FIG. 2.

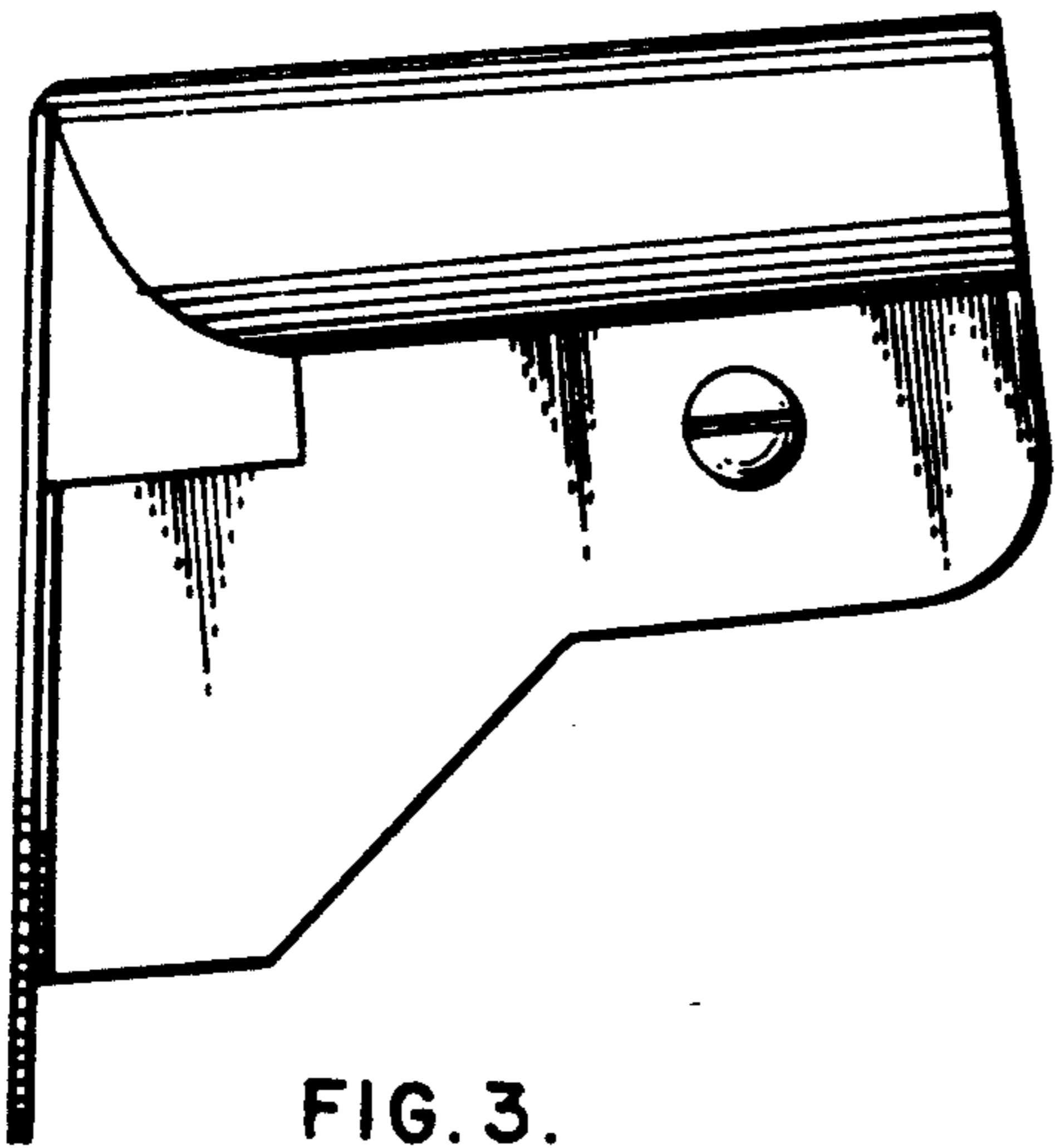


FIG. 3.

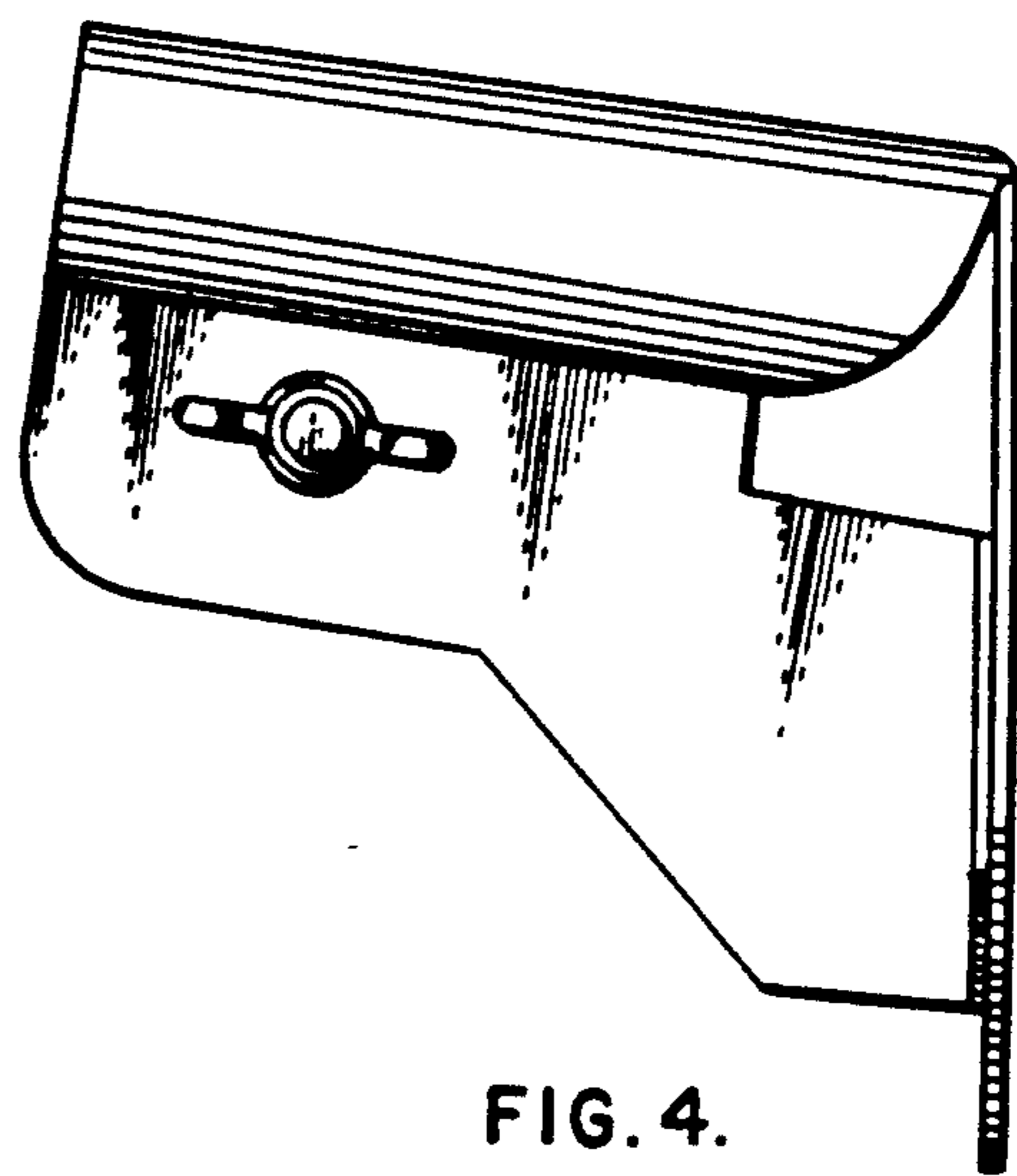


FIG. 4.

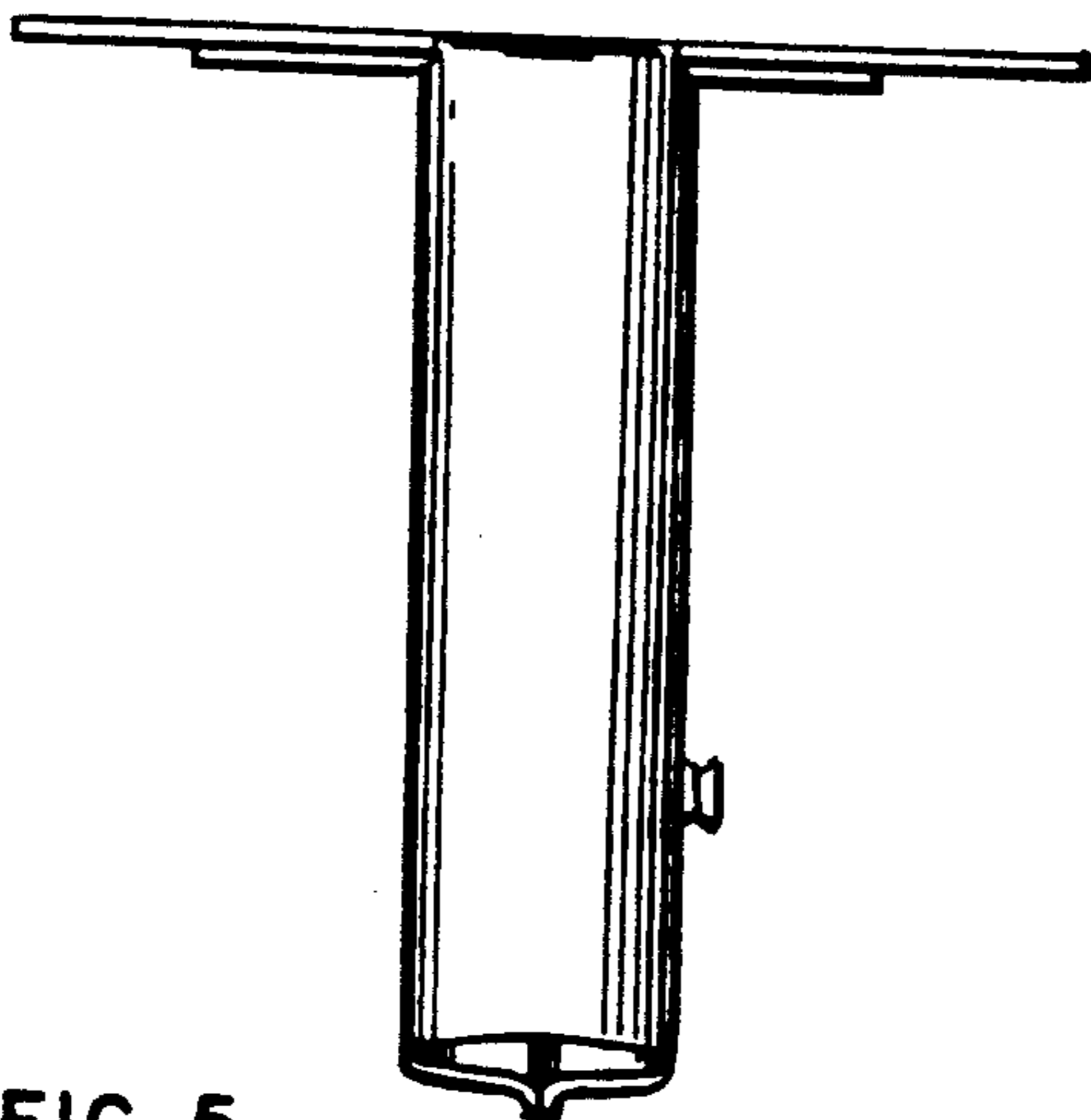


FIG. 5.

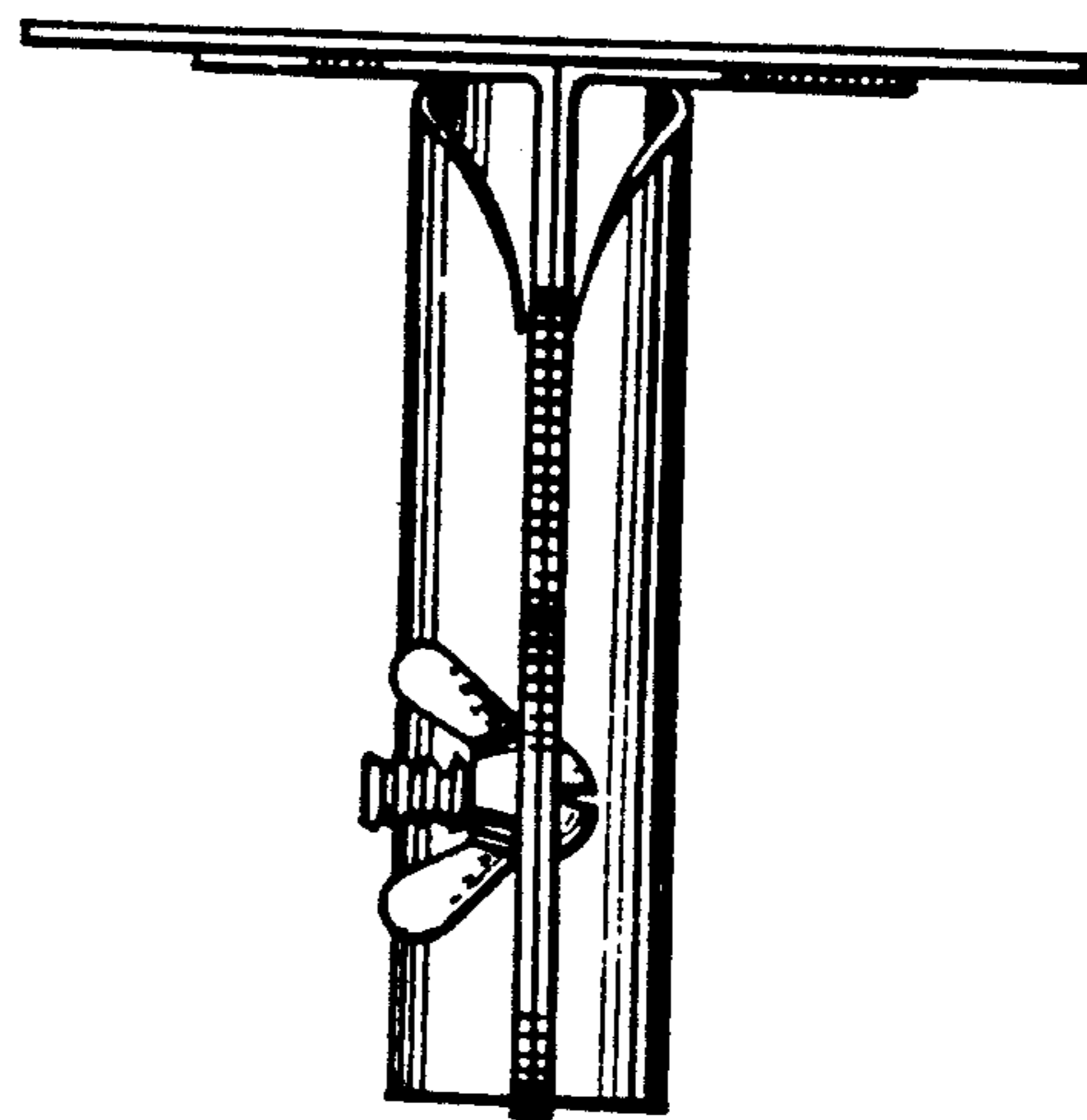


FIG. 6.