



US00D344445S

United States Patent [19] Sachs

[11] Patent Number: **Des. 344,445**

[45] Date of Patent: **** Feb. 22, 1994**

[54] **WIRE HOLDER**

[76] Inventor: **Isaac Sachs**, 283 Newton,
Dollard-des-Ormeaux Quebec,
Canada, H9A 3G1

[*] Notice: The portion of the term of this patent
subsequent to Dec. 21, 2007 has been
disclaimed.

[**] Term: **14 Years**

[21] Appl. No.: **924,871**

[22] Filed: **Aug. 5, 1992**

Related U.S. Application Data

[63] Continuation-in-part of Ser. No. 856,931, Mar. 24,
1992.

[52] U.S. Cl. **D8/356**

[58] Field of Search **D8/356; 248/97, 74.2,
248/74.1; 174/65 R**

[56] References Cited

U.S. PATENT DOCUMENTS

D. 140,381	2/1945	Anderson	D8/356 X
D. 185,795	8/1959	Mirrione	D8/383
D. 206,680	1/1967	Hedberg	D8/354
2,775,013	12/1956	Pedrero	D8/383 X

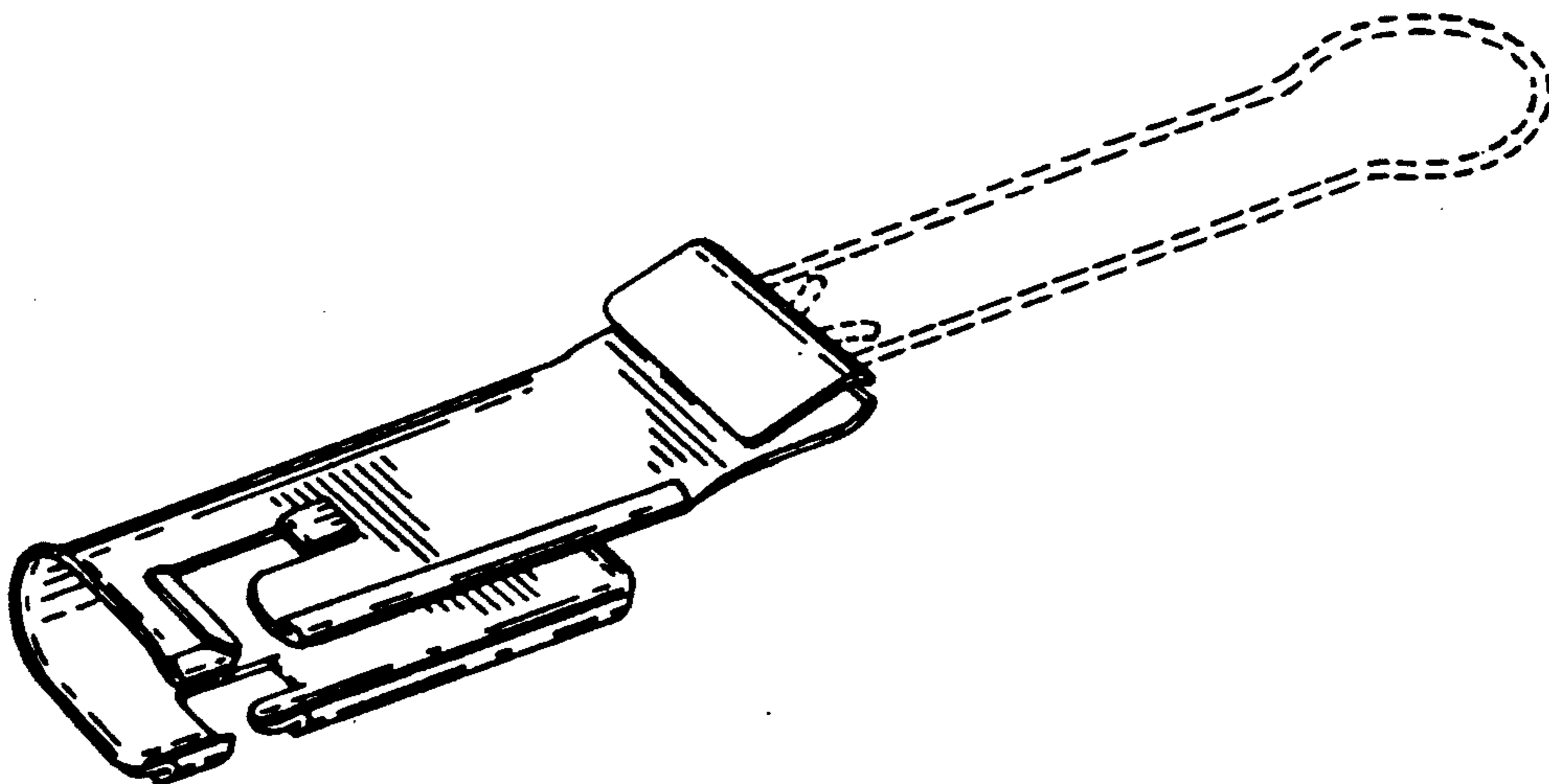
Primary Examiner—Susan J. Lucas
Assistant Examiner—H. Baynham
Attorney, Agent, or Firm—Longacre & White

[57] CLAIM

The ornamental design for a wire holder, as shown and described.

DESCRIPTION

FIG. 1 is a left end, top and front perspective view of a wire holder showing my new design;
FIG. 2 is a front elevational view thereof;
FIG. 3 is a rear elevational view thereof;
FIG. 4 is a top plan view thereof;
FIG. 5 is a bottom plan view thereof;
FIG. 6 is a left end elevational view thereof; and,
FIG. 7 is a right end elevational view thereof.
The broken line showing of a wire hook is for illustrative purposes only and forms no part of the claimed design.



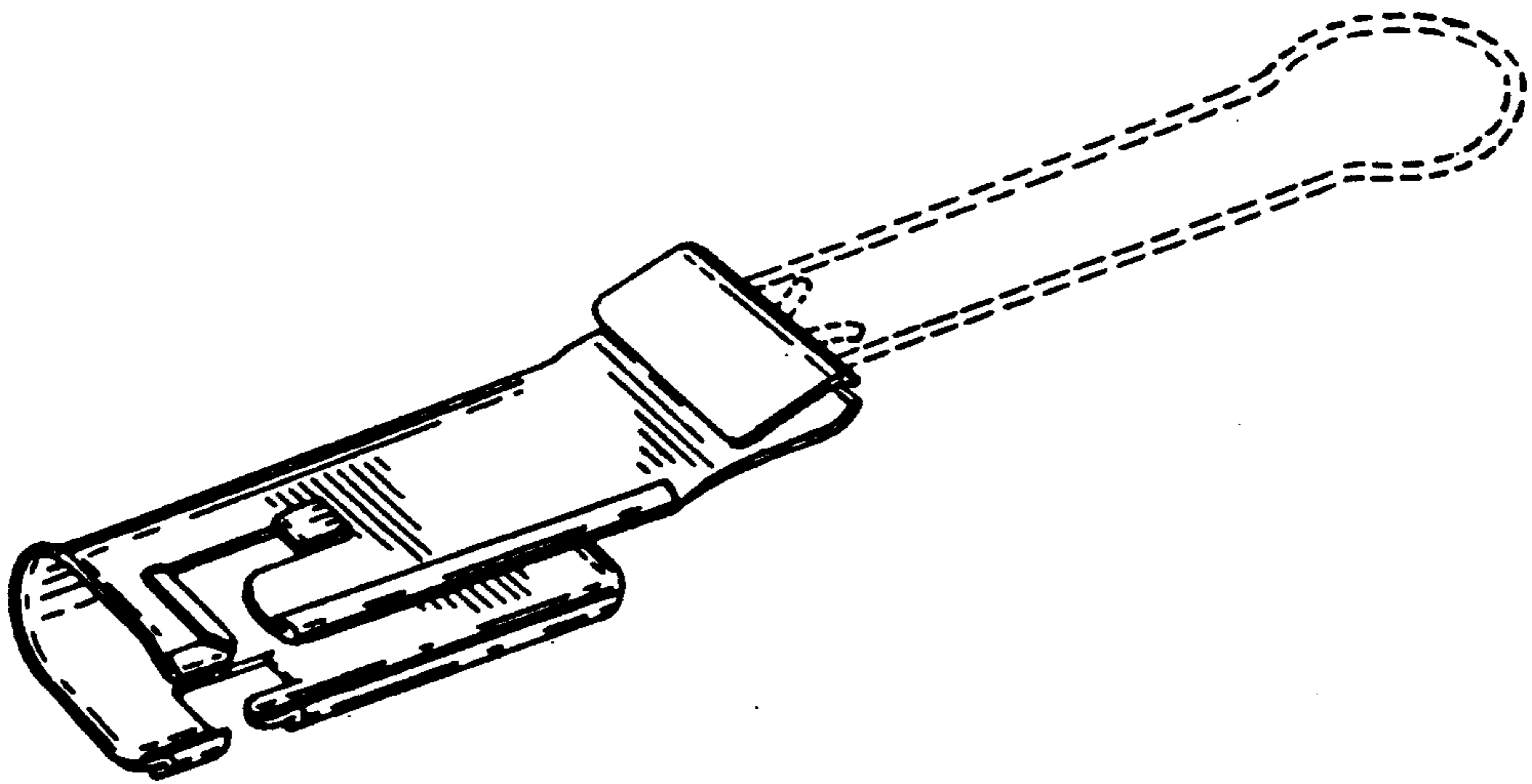


FIG. 1

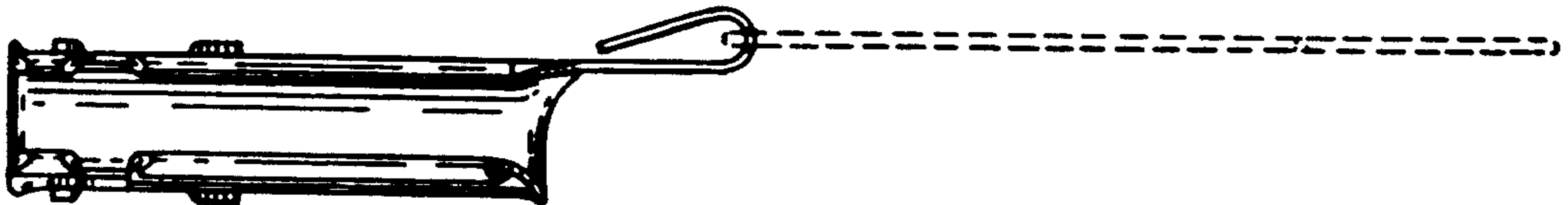


FIG. 2

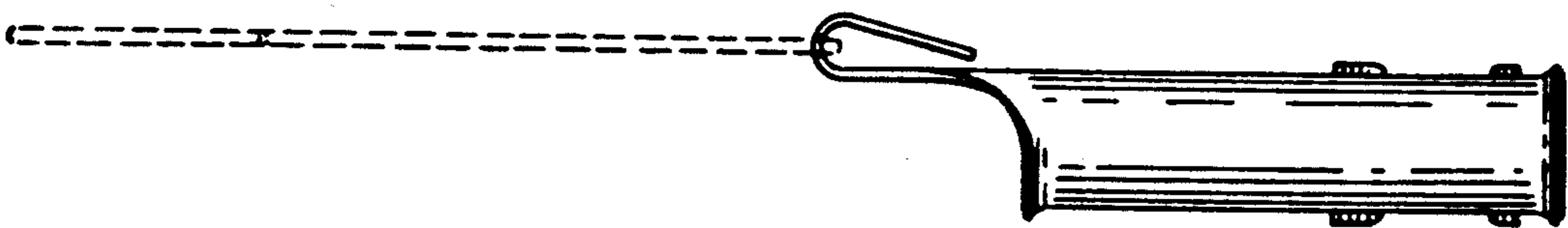


FIG. 3

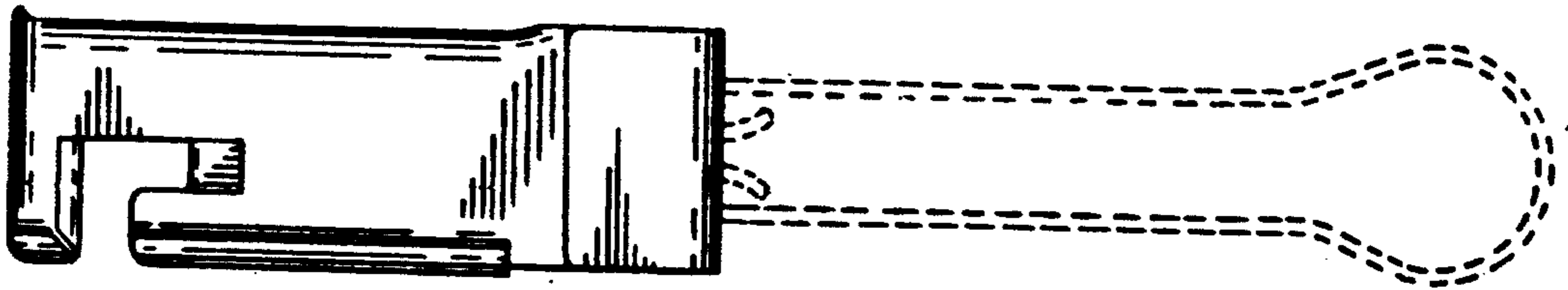


FIG. 4

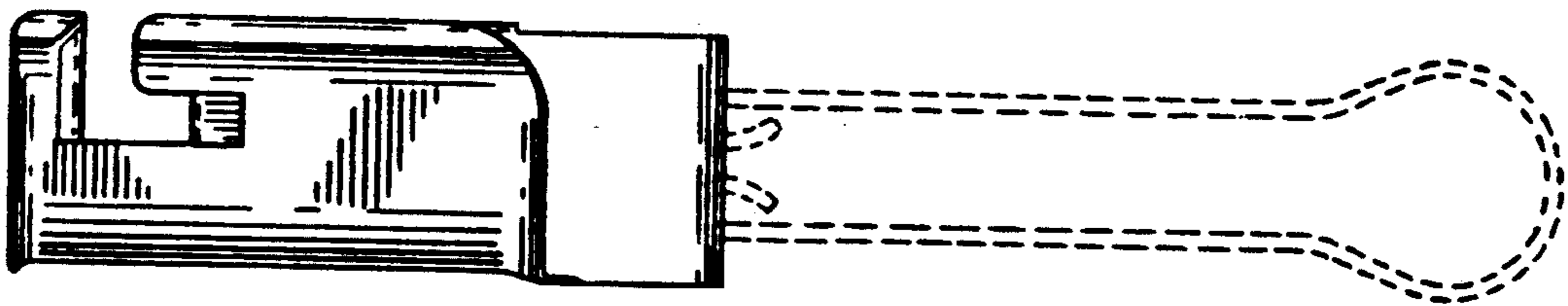


FIG. 5

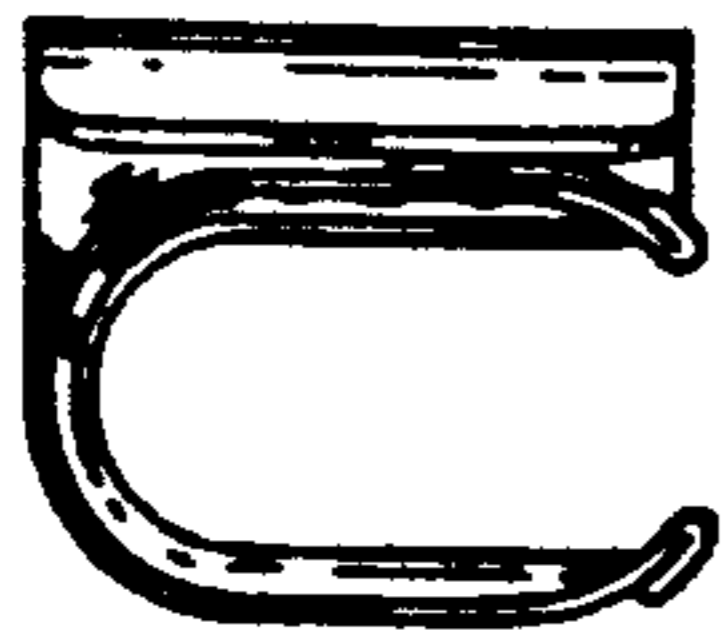


FIG. 6

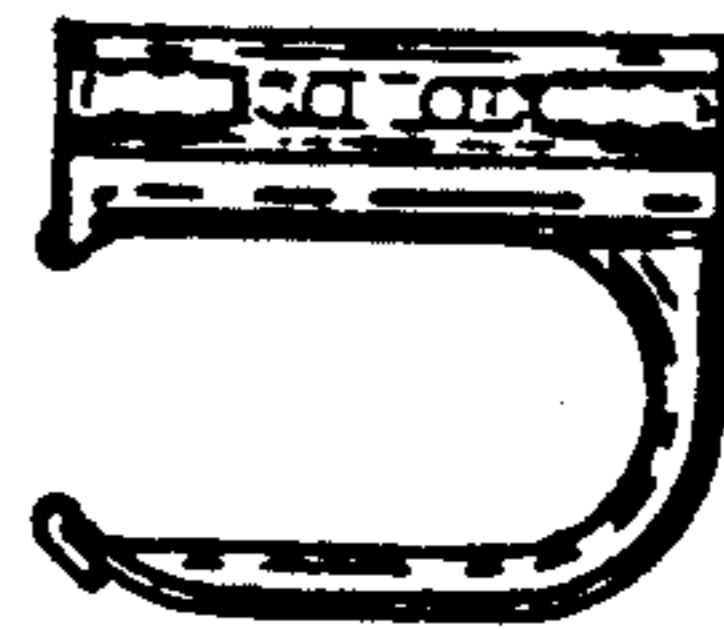


FIG. 7