



US00D344444S

# United States Patent [19]

Kopfstein et al.

[11] Patent Number: **Des. 344,444**

[45] Date of Patent: **\*\* Feb. 22, 1994**

[54] **STRAIN RELIEF FOR ELECTRICAL WIRE**

[75] Inventors: **Eric S. Kopfstein, Skokie; Bruce D. Hillier, Hawthorne Woods, both of Ill.**

[73] Assignee: **Motorola, Inc., Schaumburg, Ill.**

[\*] Notice: **The portion of the term of this patent subsequent to Dec. 28, 2007 has been disclaimed.**

[\*\*] Term: **14 Years**

[21] Appl. No.: **948,714**

[22] Filed: **Sep. 14, 1992**

[52] U.S. Cl. .... **D8/356**

[58] Field of Search ..... **D8/356; 174/154, 152 R, 174/153 G, 153 R; 248/56; D13/133, 154**

[56] **References Cited**

**U.S. PATENT DOCUMENTS**

D. 188,102	6/1960	Yarick .....	D13/133
D. 267,713	1/1983	Hoda et al. ....	D13/133
D. 331,908	12/1992	Hollander et al. ....	D13/133
3,366,917	1/1968	Karol .....	D13/133 X
4,568,047	2/1986	Matsui .....	248/56
4,808,774	2/1989	Crane .....	248/56 X

*Primary Examiner*—Wallace R. Burke  
*Assistant Examiner*—H. Baynham  
*Attorney, Agent, or Firm*—John J. King

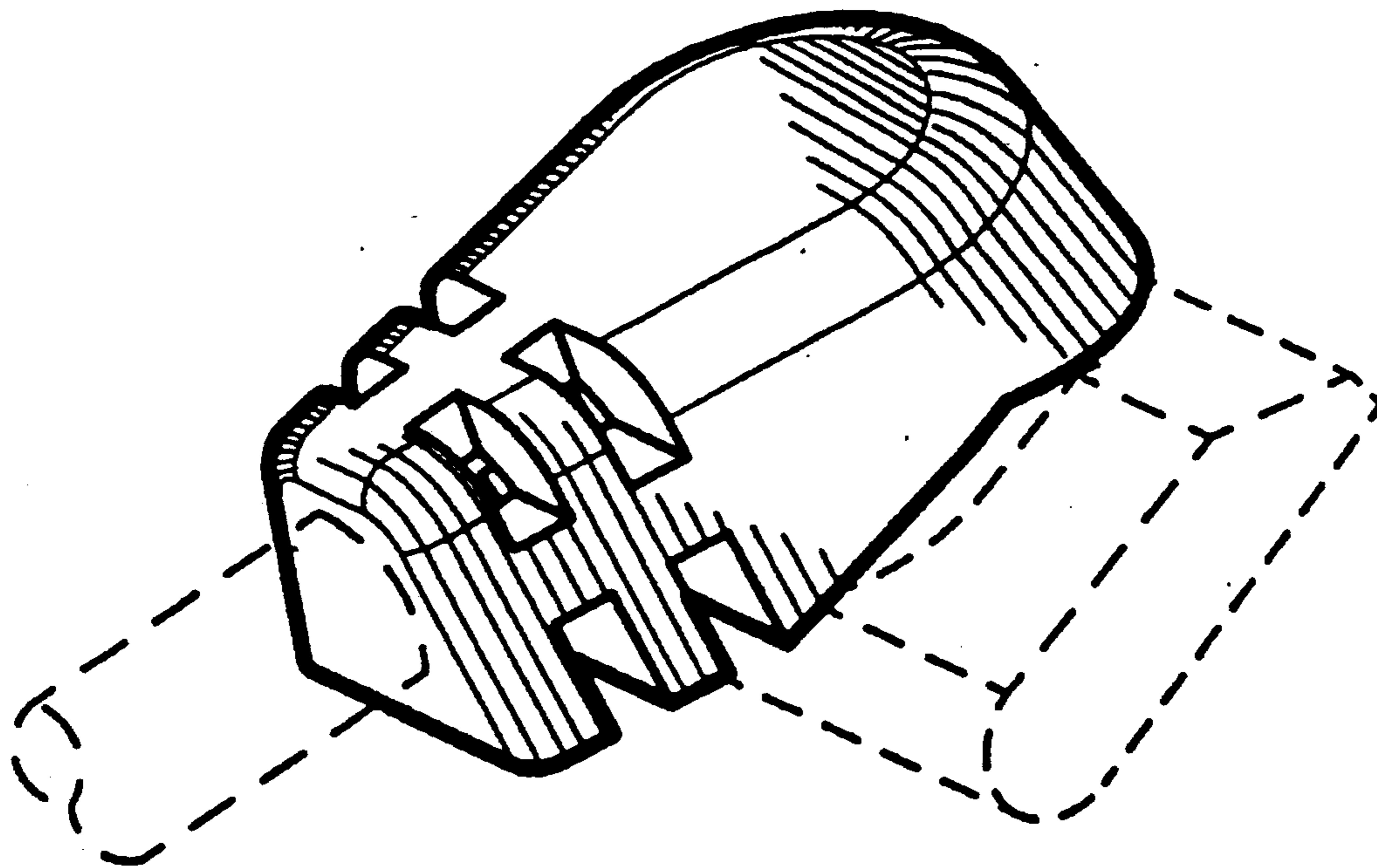
[57] **CLAIM**

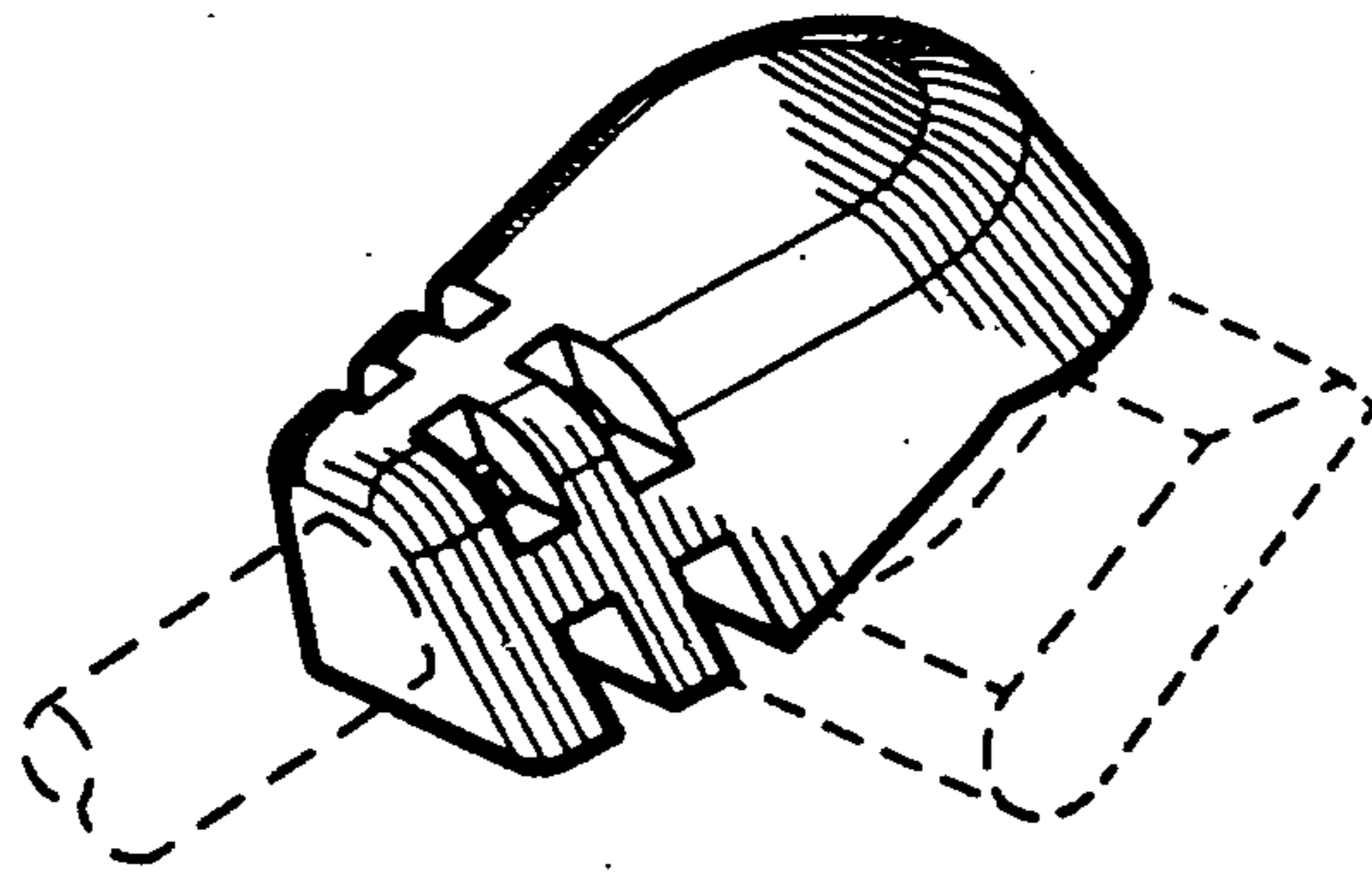
The ornamental design for a strain relief for electrical wire, as shown and described.

**DESCRIPTION**

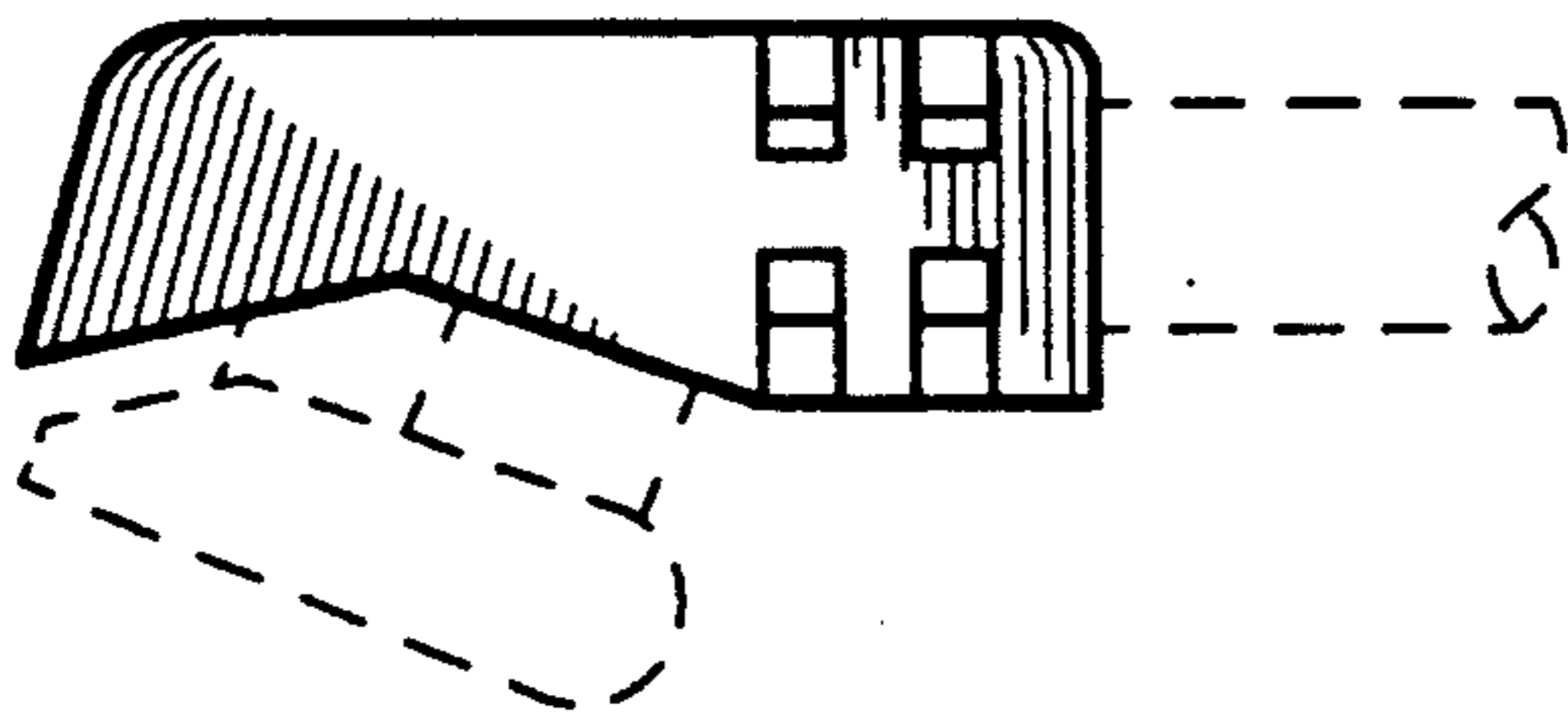
FIG. 1 is a rear, top, and left side perspective view of a strain relief for electrical wire showing our new design; FIG. 2 is a right elevational view thereof; FIG. 3 is a front elevational view thereof; and, FIG. 4 is a bottom plan view thereof.

The broken line showing of structure is for illustrative purposes only and forms no part of the claimed design.



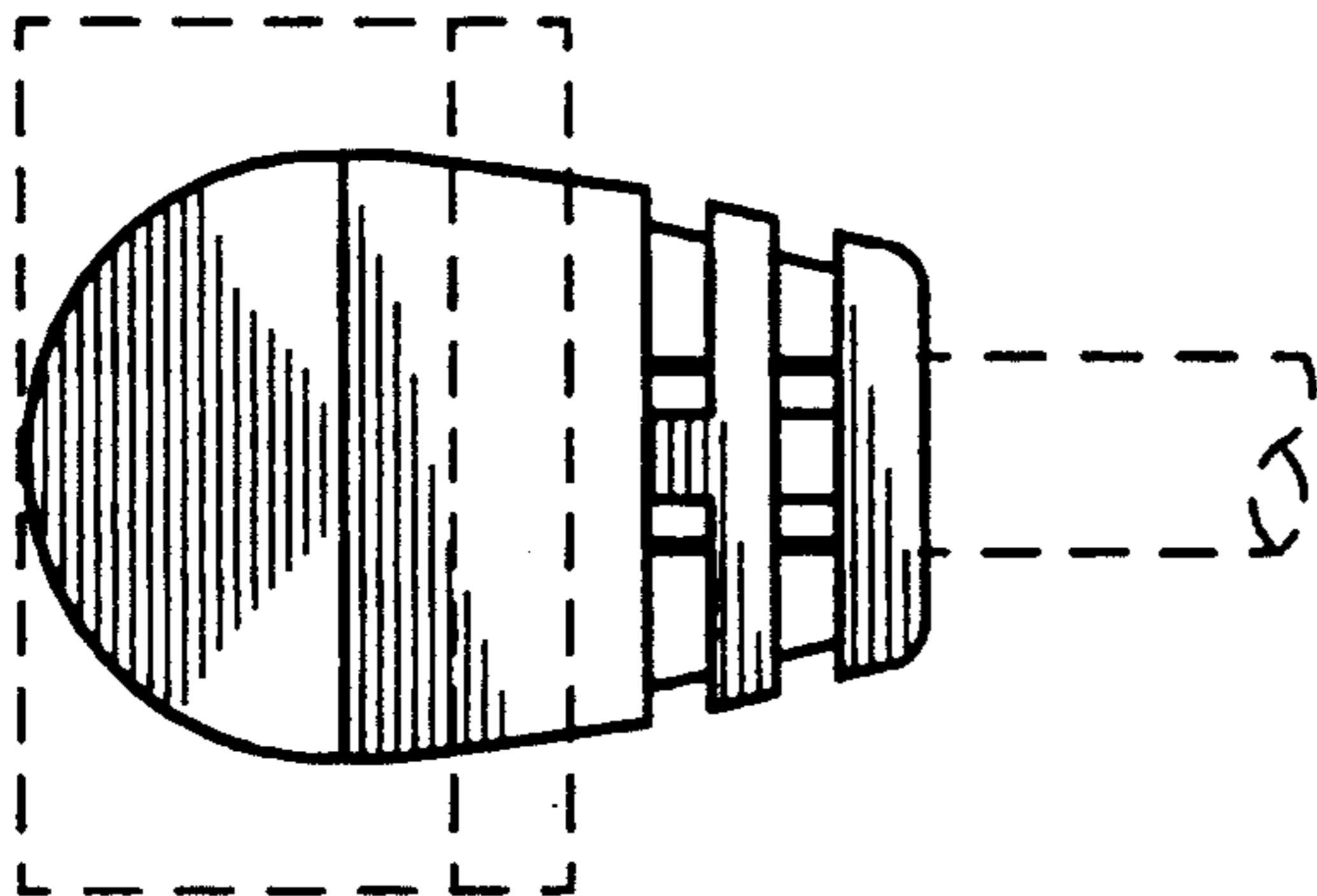
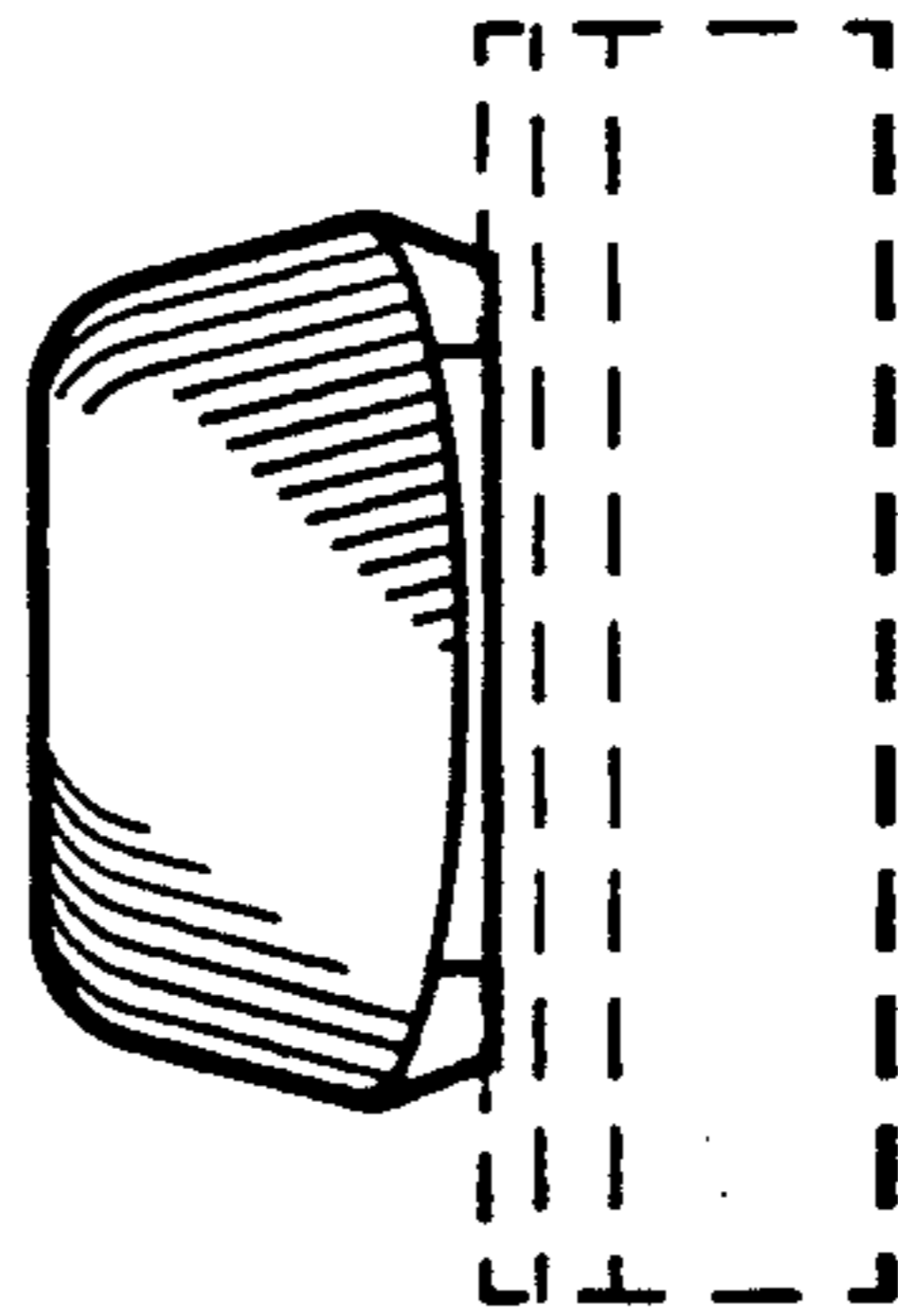


*FIG. 1*



*FIG. 2*

*FIG. 3*



*FIG. 4*