



US00D344443S

United States Patent [19] Ashby

[11] Patent Number: **Des. 344,443**

[45] Date of Patent: **** Feb. 22, 1994**

[54] ELECTRIC PLUG LOCKBOX

[76] Inventor: **James C. Ashby**, 2061 Camino Way,
Salt Lake City, Utah 84121

[**] Term: **14 Years**

[21] Appl. No.: **255**

[22] Filed: **Oct. 9, 1992**

[52] U.S. Cl. **D8/346**

[58] Field of Search **D8/330-331,
D8/343, 346; 70/14, 57-58, 158-159**

[56] References Cited

U.S. PATENT DOCUMENTS

D. 325,374	4/1992	Ashby .	
2,763,707	9/1956	Soderberg .	
3,945,530	3/1976	Bozich .	
4,308,730	1/1982	Roth	70/57 X
4,311,883	1/1982	Kidney	70/57 X
4,592,607	6/1986	Pejovic .	
4,673,230	6/1987	Baumgart .	
4,679,873	7/1987	Brackett, Jr.	D8/331 X
4,741,187	5/1988	Ethell	70/158
4,782,971	11/1988	Hill .	

FOREIGN PATENT DOCUMENTS

60-244009 12/1985 Japan .

OTHER PUBLICATIONS

Safety Hasp on p. 4 of Lawrence Brothers Catalogue 81-f.

Primary Examiner—Brian N. Vinson
Attorney, Agent, or Firm—Richard C. Litman

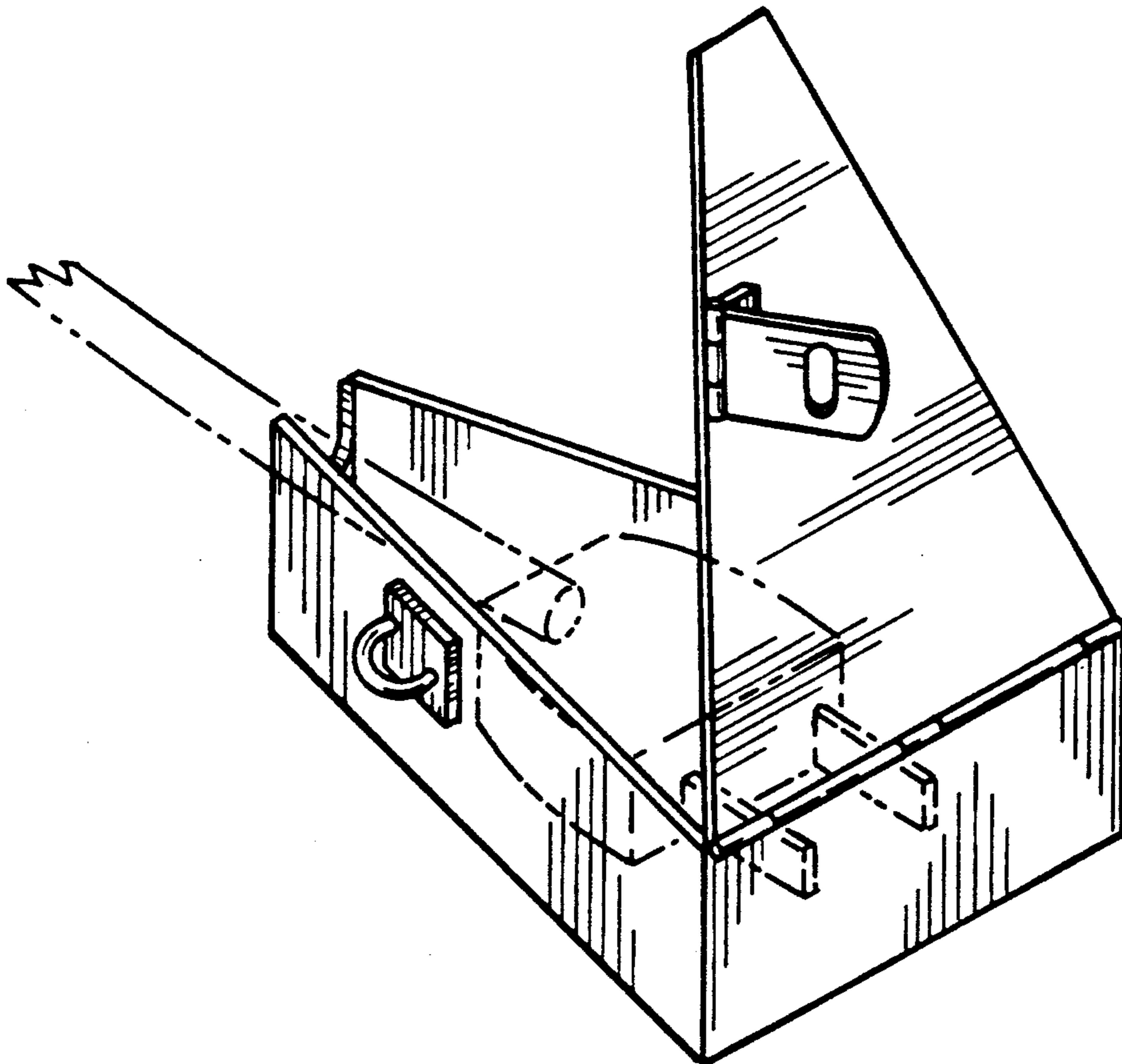
[57] CLAIM

The ornamental design for an electric plug lockbox, as shown and described.

DESCRIPTION

FIG. 1 is a top, rear, and right side perspective view of an electric plug lockbox showing my new design, with the hasp portion disengaged and the top raised; FIG. 2 is a front elevational view thereof; FIG. 3 is a rear elevational view thereof; FIG. 4 is a top view thereof; FIG. 5 is a right side elevational view thereof; FIG. 6 is a left side elevational view thereof; and, FIG. 7 is a bottom view thereof.

The broken line showing of an electric plug and cord segment in FIG. 1 is for illustrative purposes only and forms no part of the claimed design.



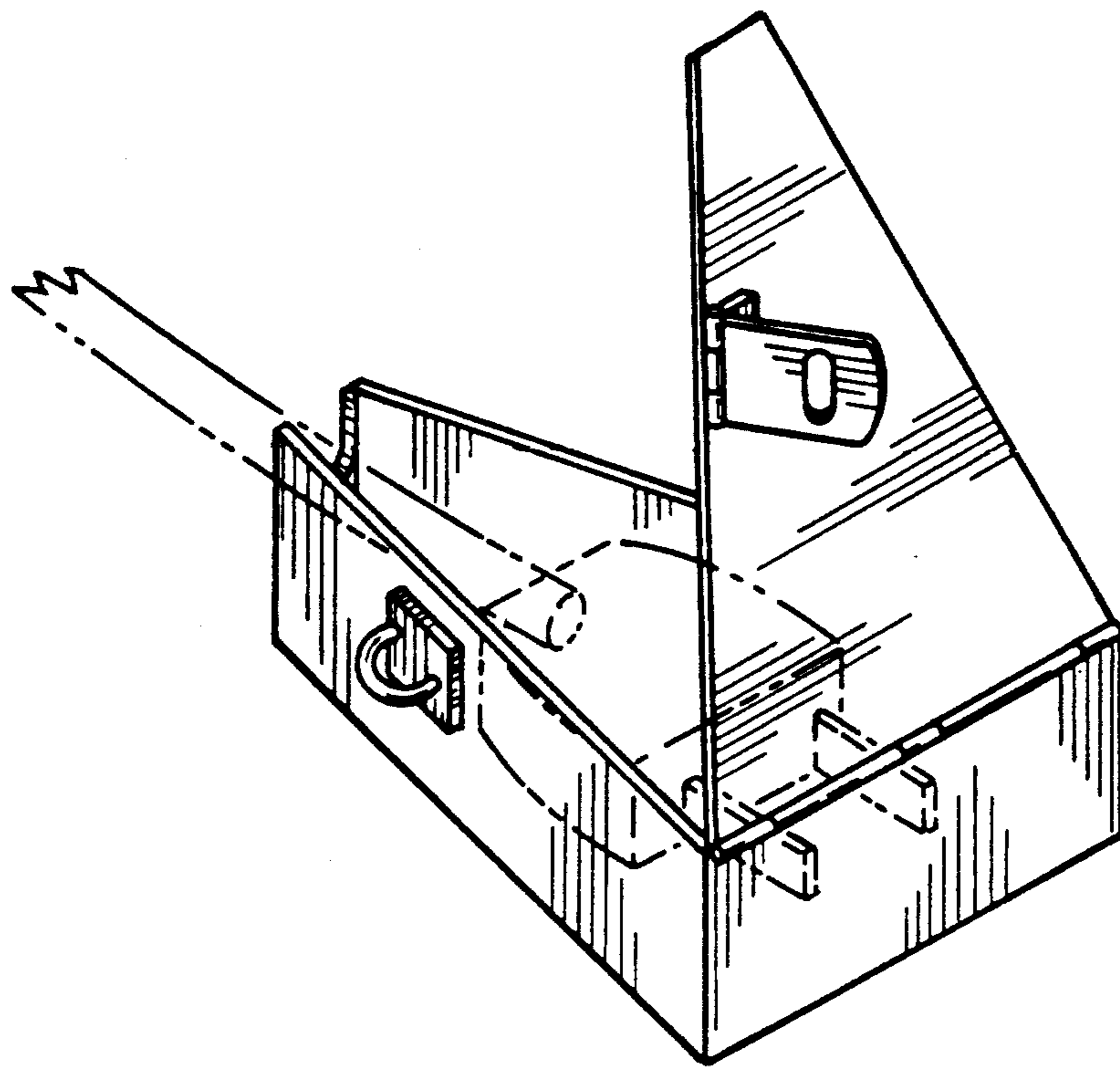


FIG. 1

FIG. 2

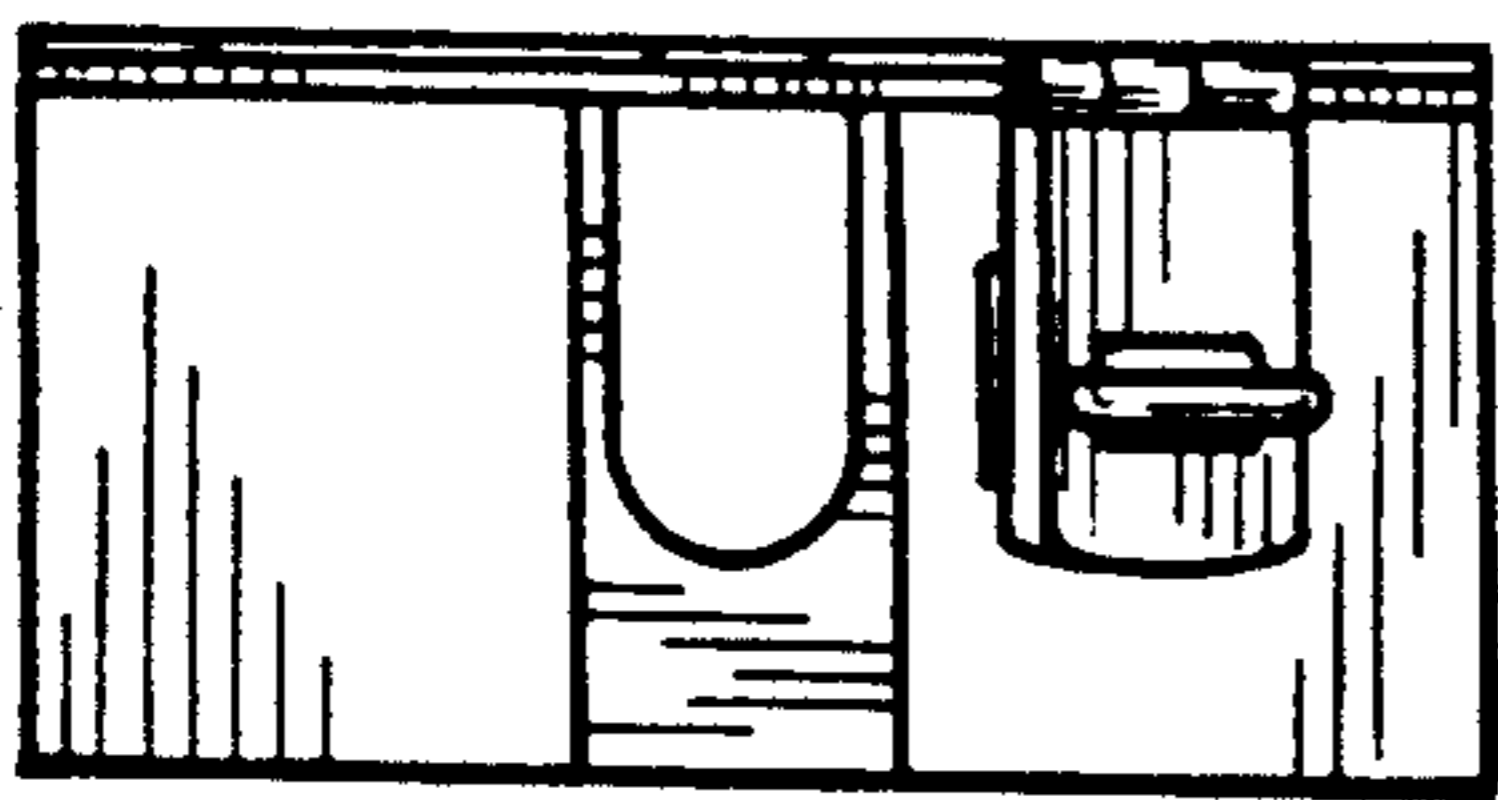


FIG. 3

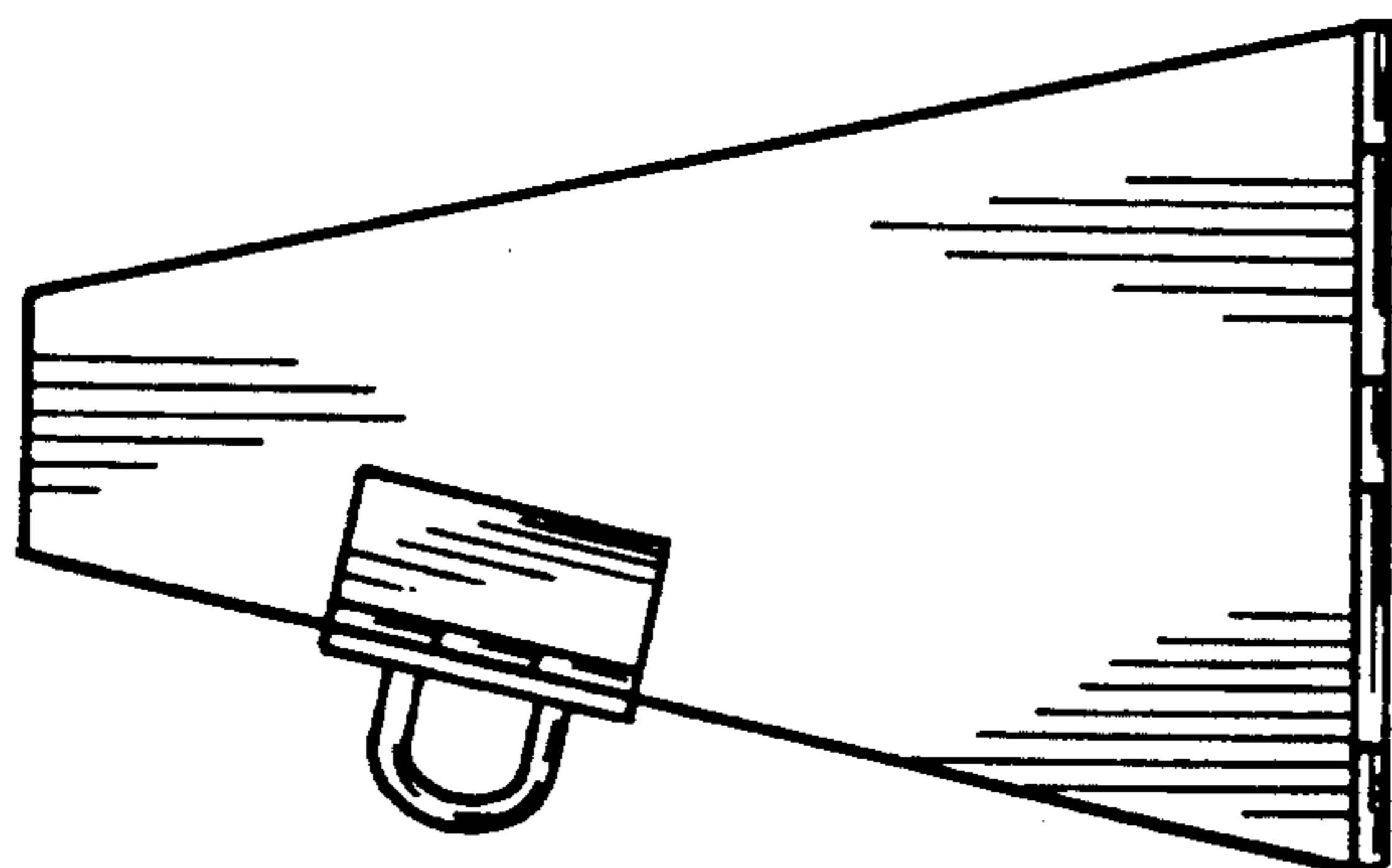
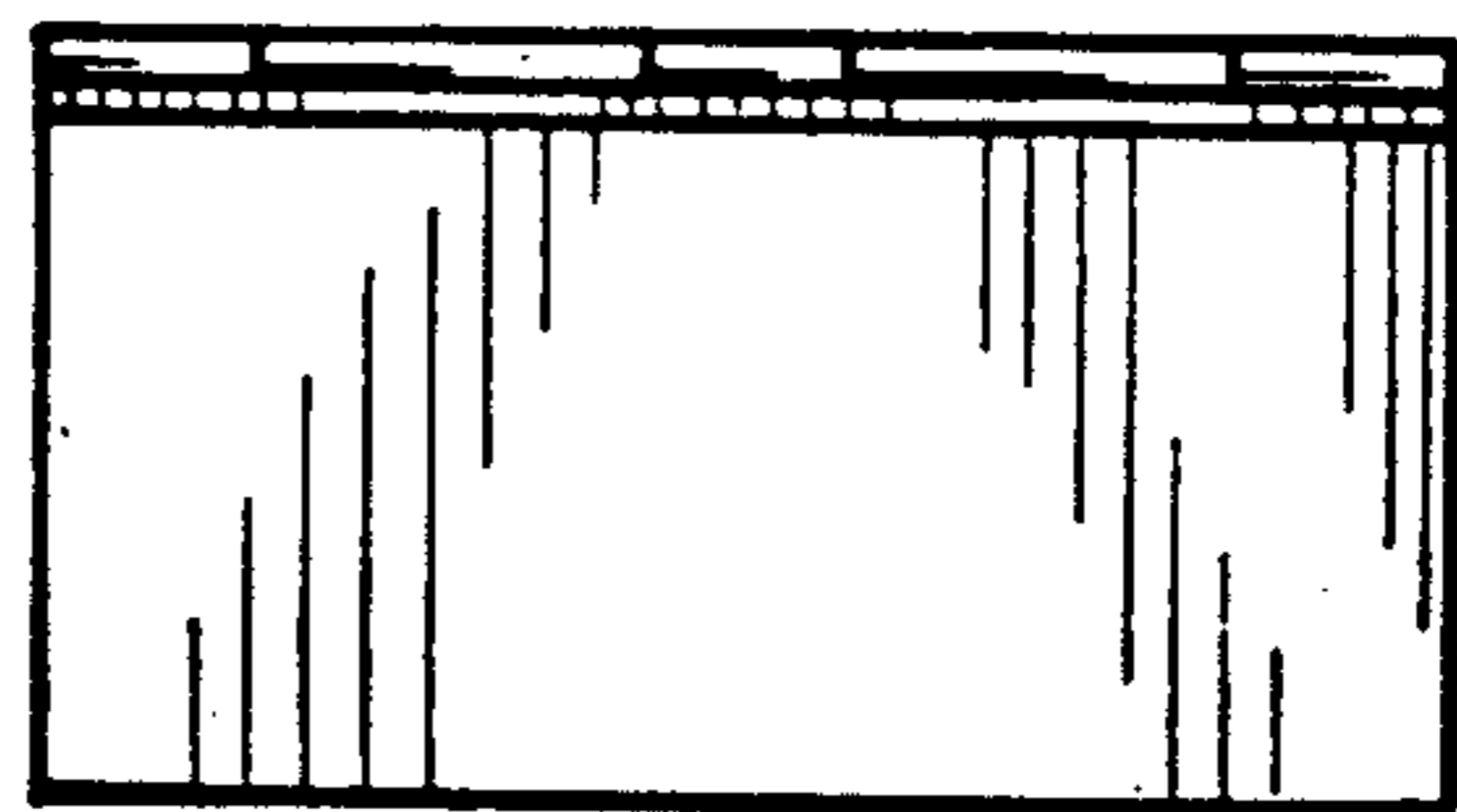


FIG. 4

FIG. 5

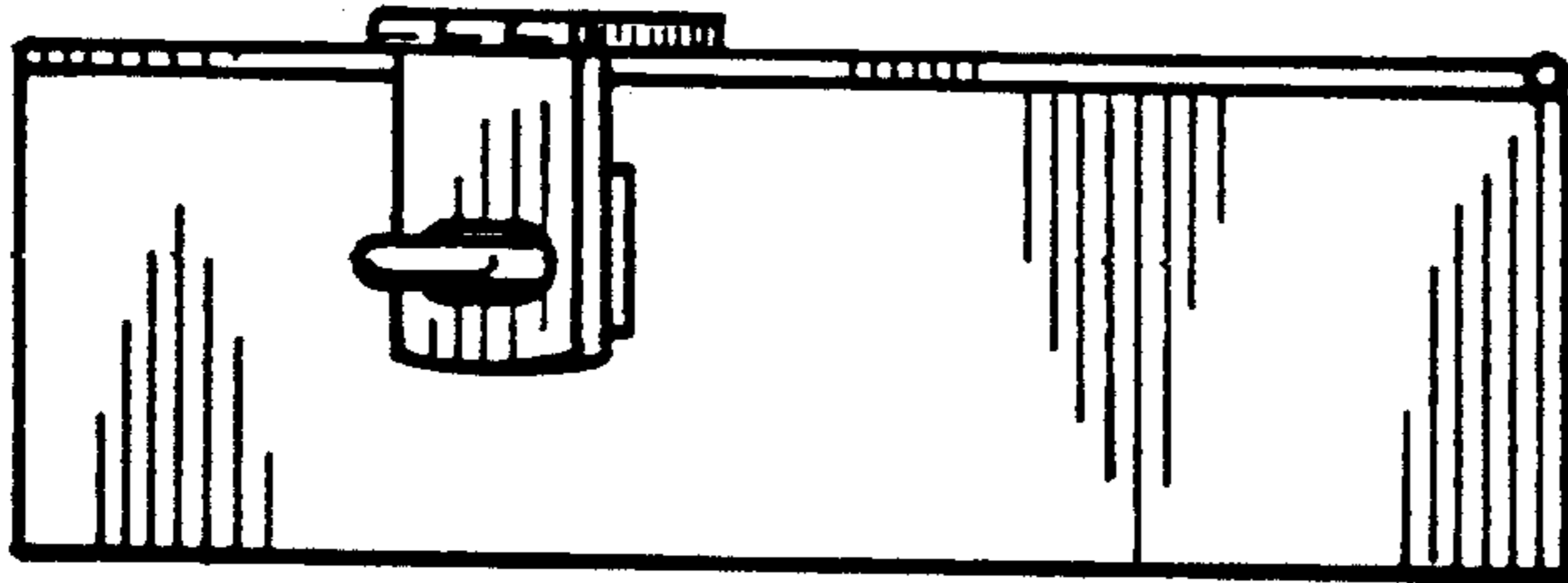


FIG. 6

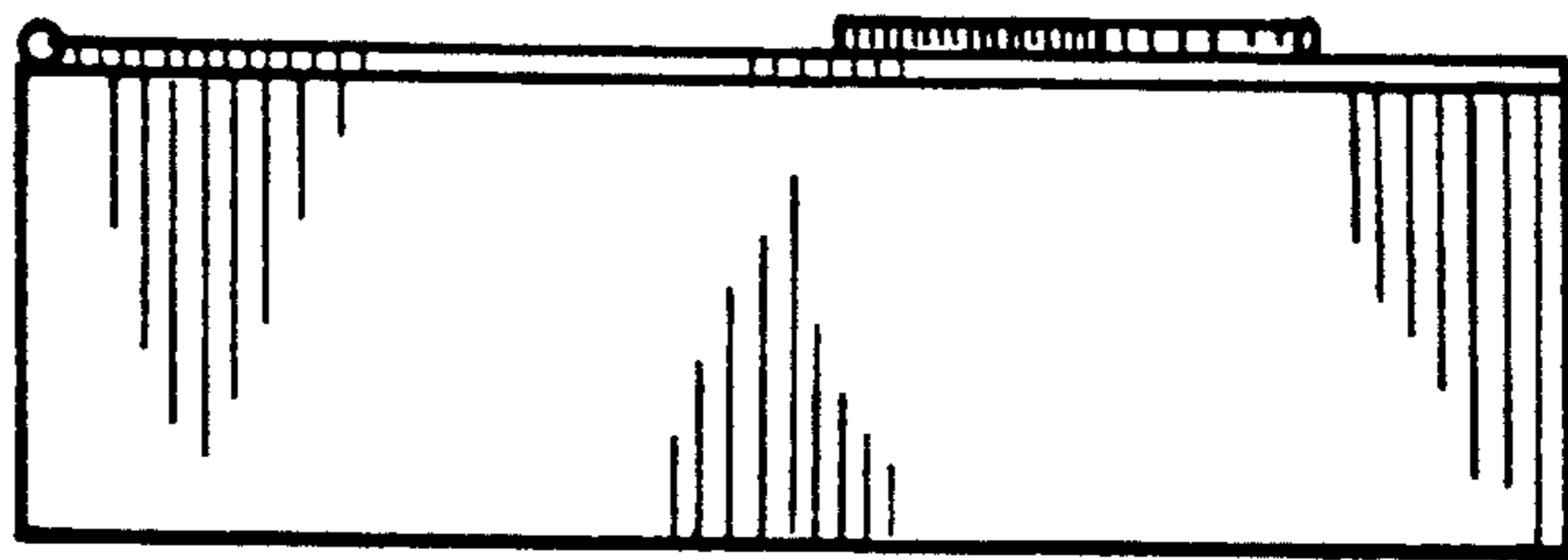


FIG. 7

