



US00D344442S

United States Patent [19] Myers

[11] Patent Number: **Des. 344,442**

[45] Date of Patent: **** Feb. 22, 1994**

[54] **REFRIGERATOR LOCK**

[75] Inventor: **Gary L. Myers, River Grove, Ill.**

[73] Assignee: **Fort Lock Corporation, River Grove, Ill.**

[**] Term: **14 Years**

[21] Appl. No.: **856,341**

[22] Filed: **Mar. 23, 1992**

[52] U.S. Cl. **D8/341**

[58] Field of Search **D8/330-331, D8/339, 341; 292/137-138, 145, 148, DIG. 20, DIG. 42, DIG. 71; 70/57-58, 77-79, 81, 91, 101, 104, 124, 129, 158, DIG. 34, DIG. 80**

[56] **References Cited**

U.S. PATENT DOCUMENTS

D. 295,606	5/1988	Ault	D8/330
1,580,611	4/1926	Kirkpatrick	70/DIG. 80 X
3,695,657	10/1972	Rosen	292/148 X
4,861,079	8/1989	DeForrest, Sr.	70/129 X
5,060,491	10/1991	Smith	70/58 X

OTHER PUBLICATIONS

Stanley Hardware Catalogue #140 (1987) p. 165. Barrell Bolt.

Primary Examiner—Brian N. Vinson

Attorney, Agent, or Firm—Leydig, Voit & Mayer, Ltd.

[57] **CLAIM**

The ornamental design for a refrigerator lock, as shown and described.

DESCRIPTION

FIG. 1 is a top, front, and right side perspective view of a refrigerator lock showing my new design, the broken-line disclosure of fragments of refrigerator doors being for illustrative purposes only and forming no part of the claimed design;

FIG. 2 is a front elevational view thereof;

FIG. 3 is a right side elevational view thereof;

FIG. 4 is a left side elevational view thereof;

FIG. 5 is a bottom plan view thereof;

FIG. 6 is a rear elevational view thereof;

FIG. 7 is a front elevational view of the bolt portion thereof;

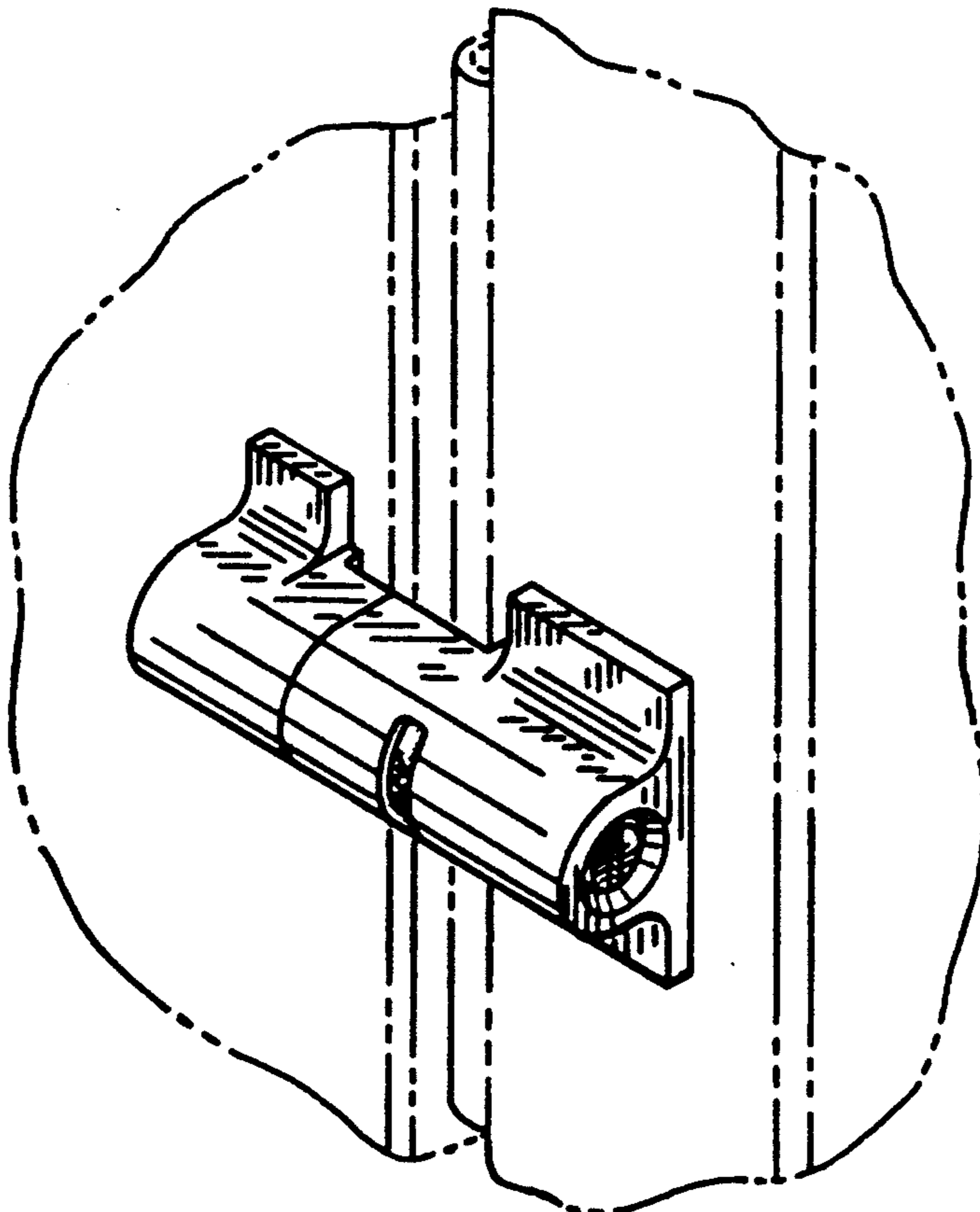
FIG. 8 is a left side elevational view of the bolt portion thereof;

FIG. 9 is a rear elevational view of the bolt portion thereof;

FIG. 10 is a bottom plan view of the bolt portion thereof; and,

FIG. 11 is right side elevation of the catch portion thereof.

Portions of the lock are omitted in the views for clarity of illustration.



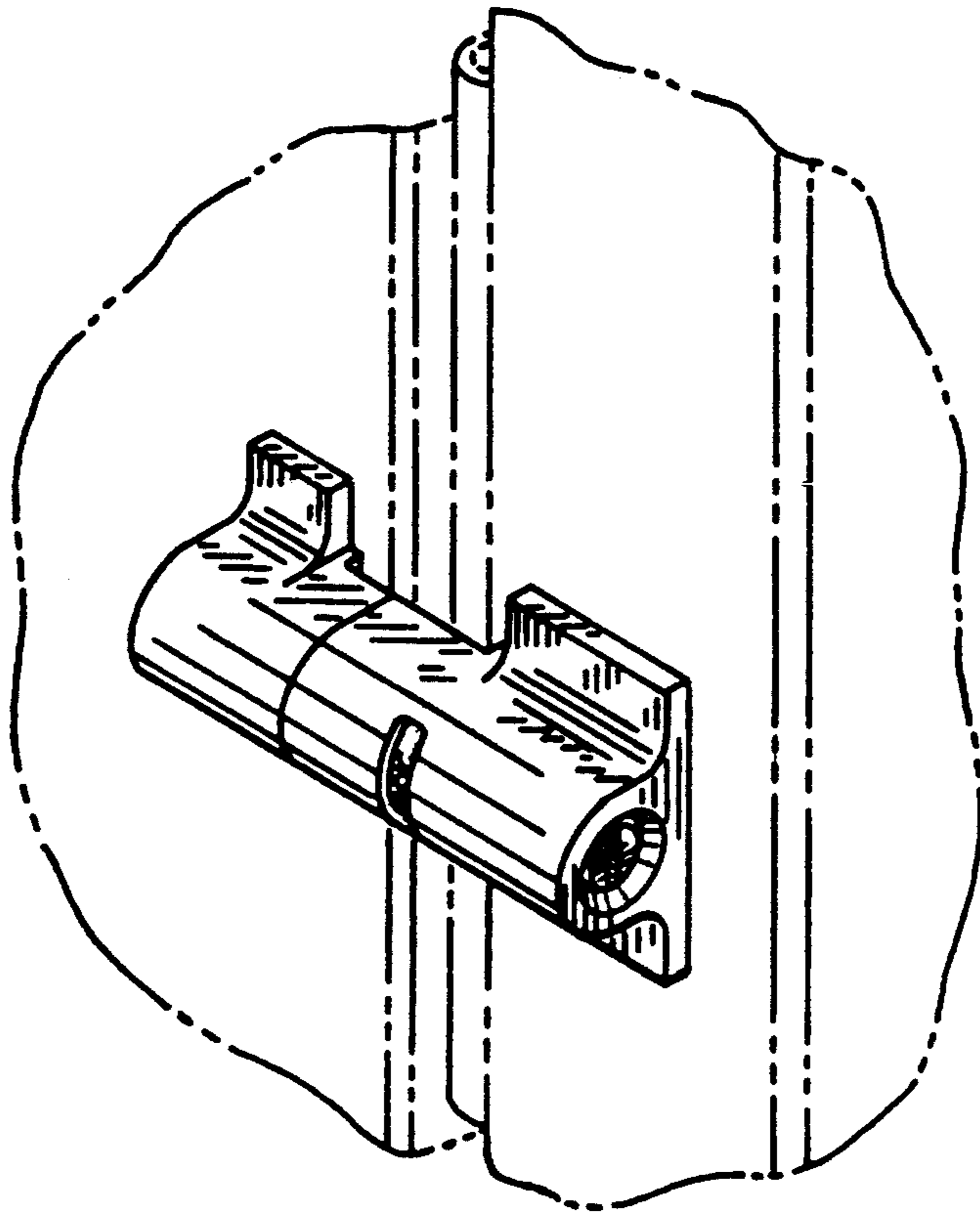


FIG. 1

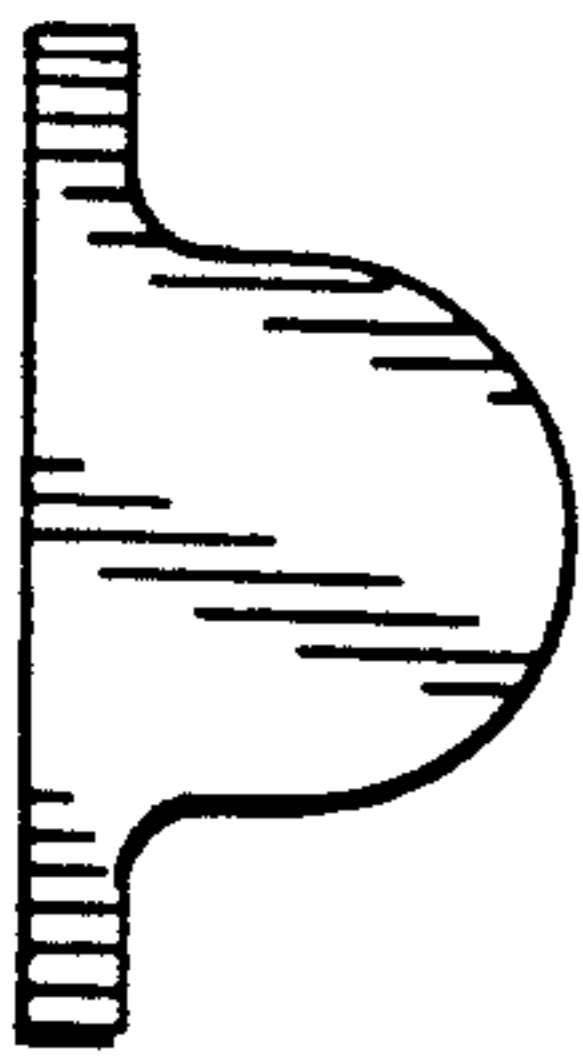


FIG. 4

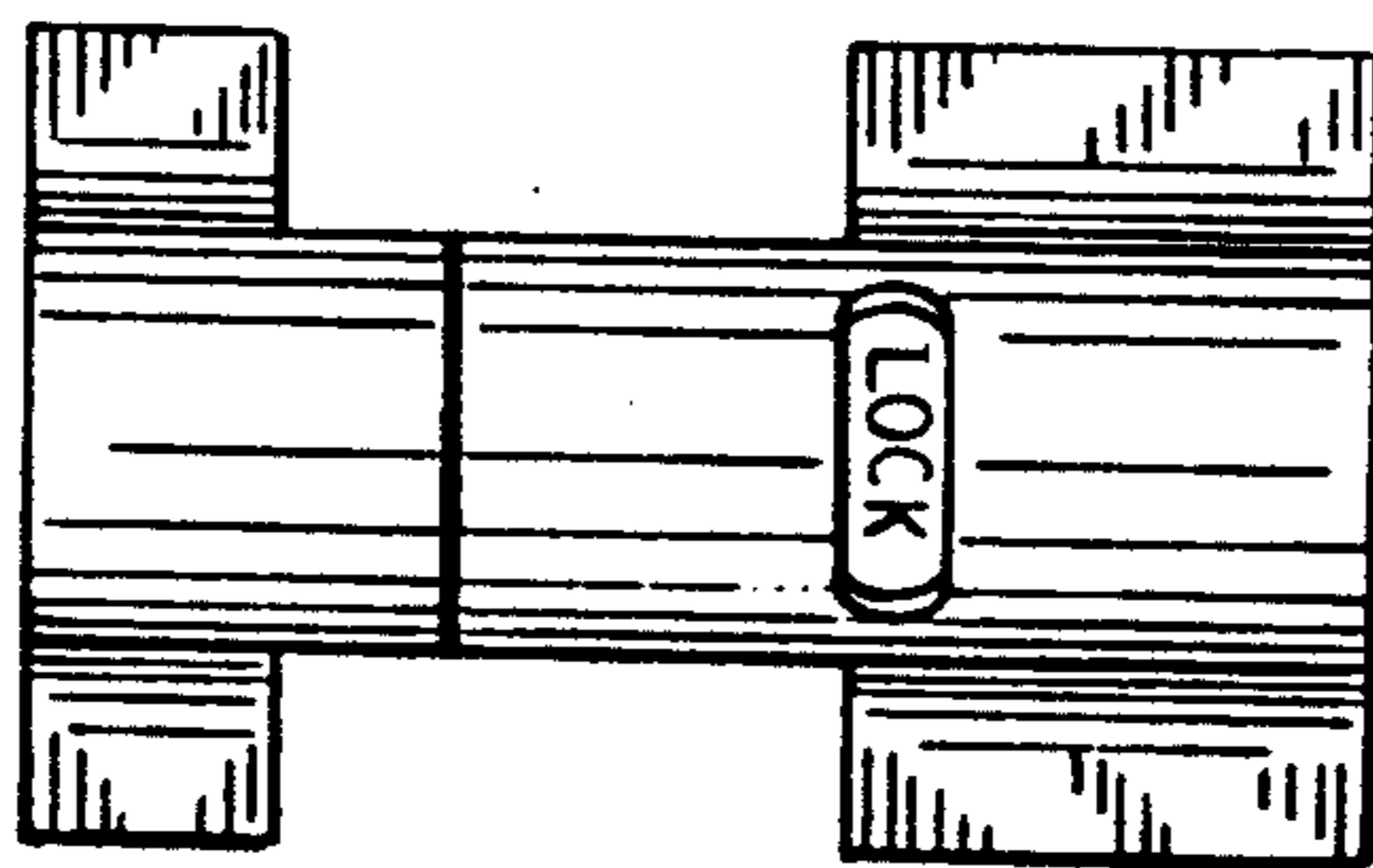


FIG. 2

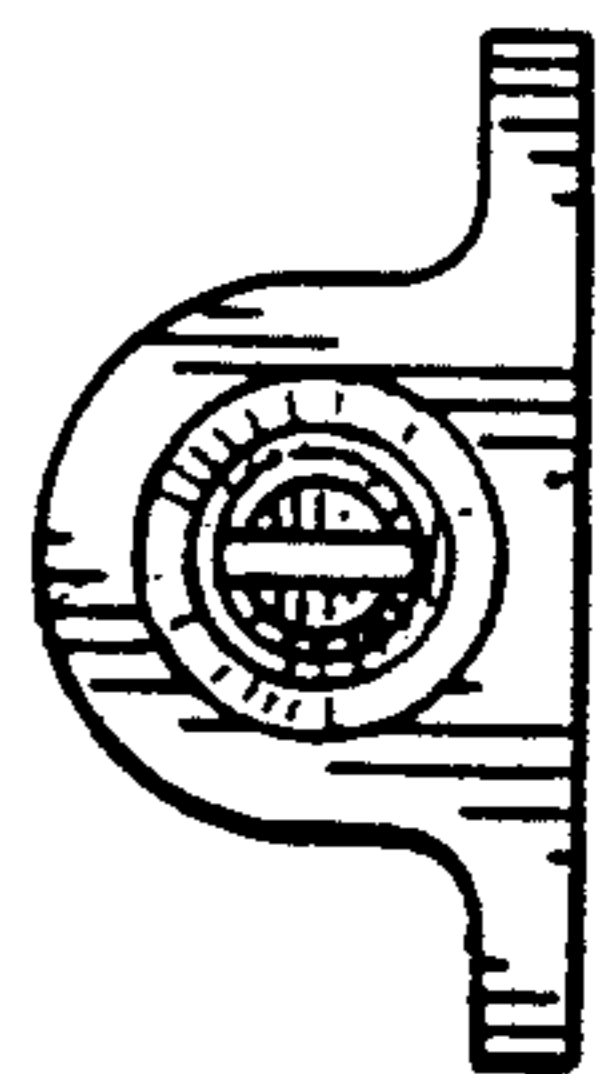


FIG. 3

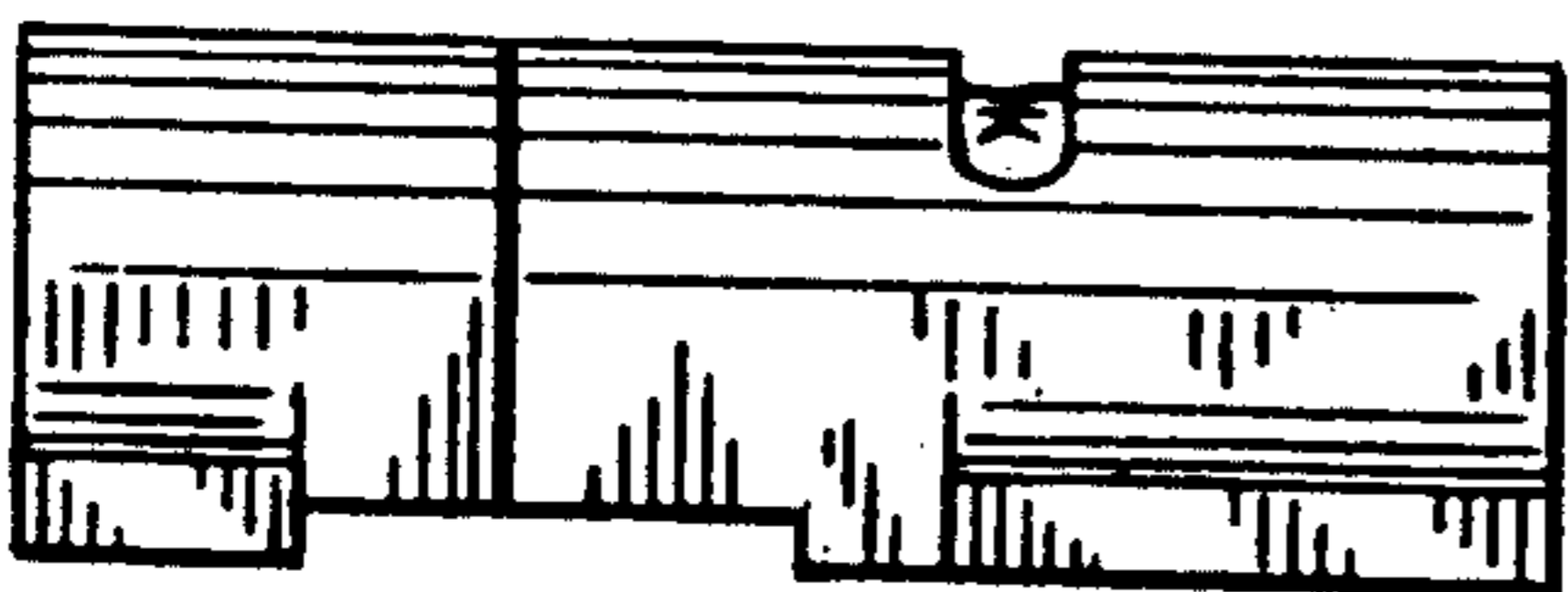


FIG. 5

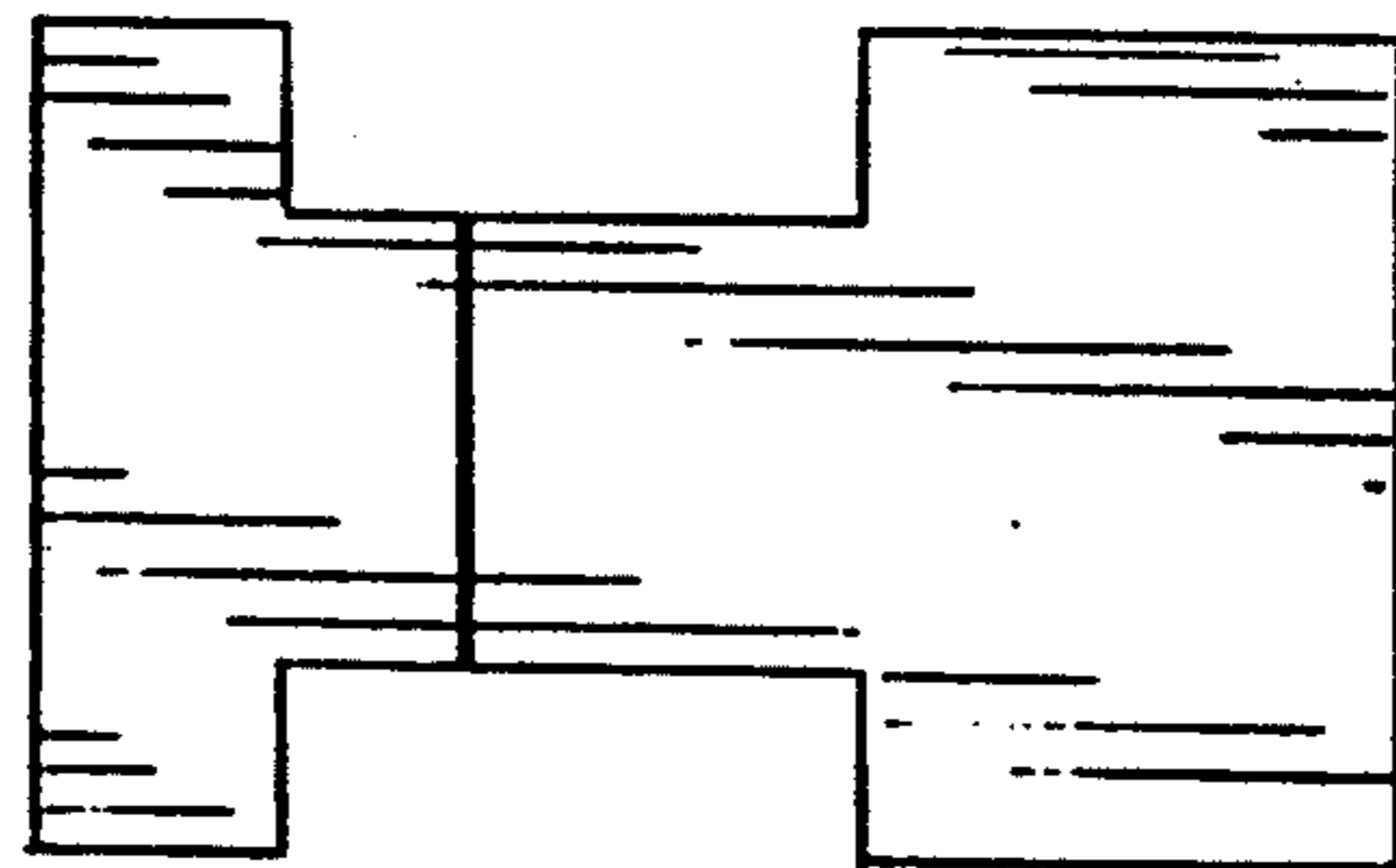


FIG. 6



FIG. 8

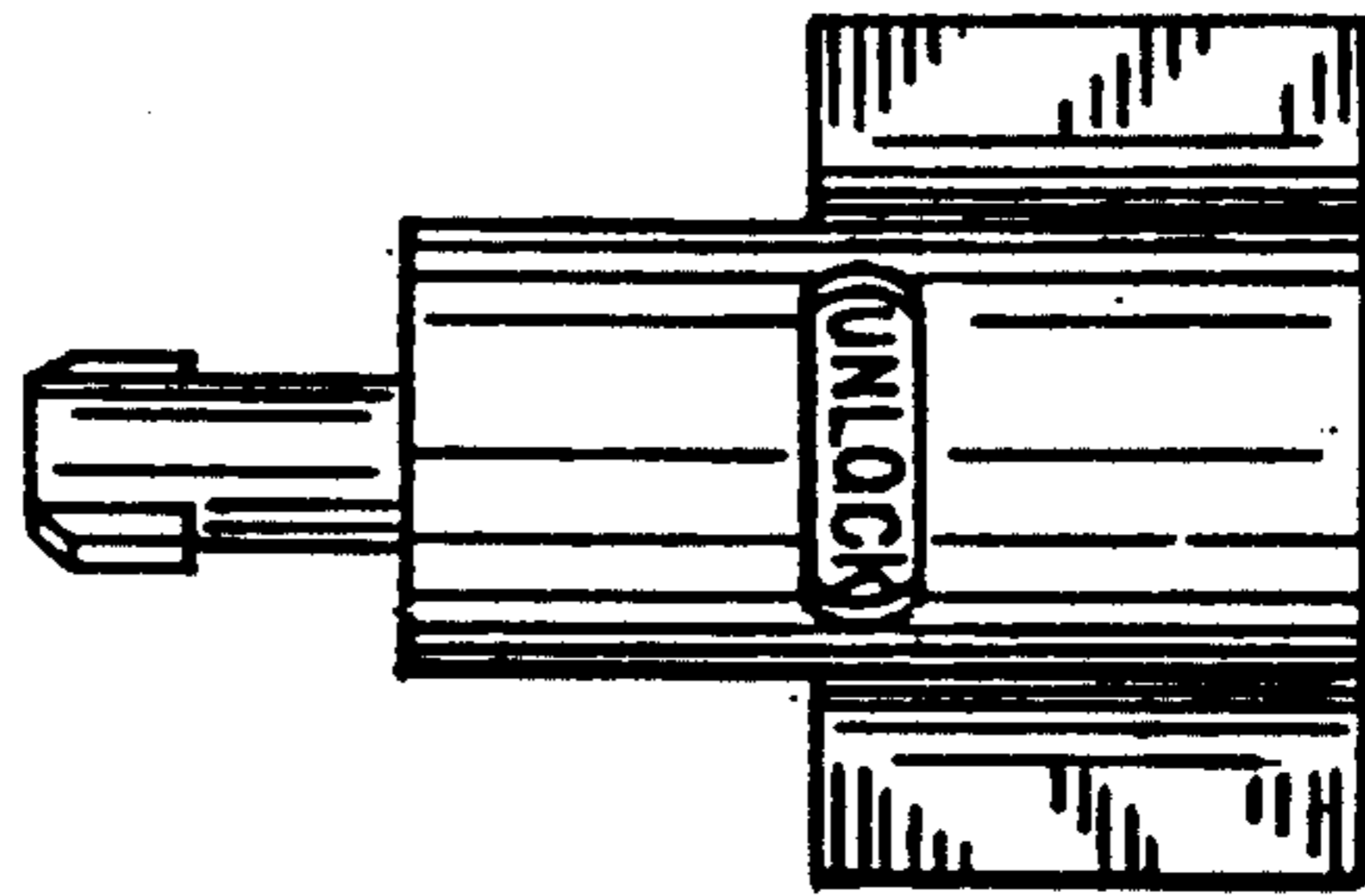


FIG. 7

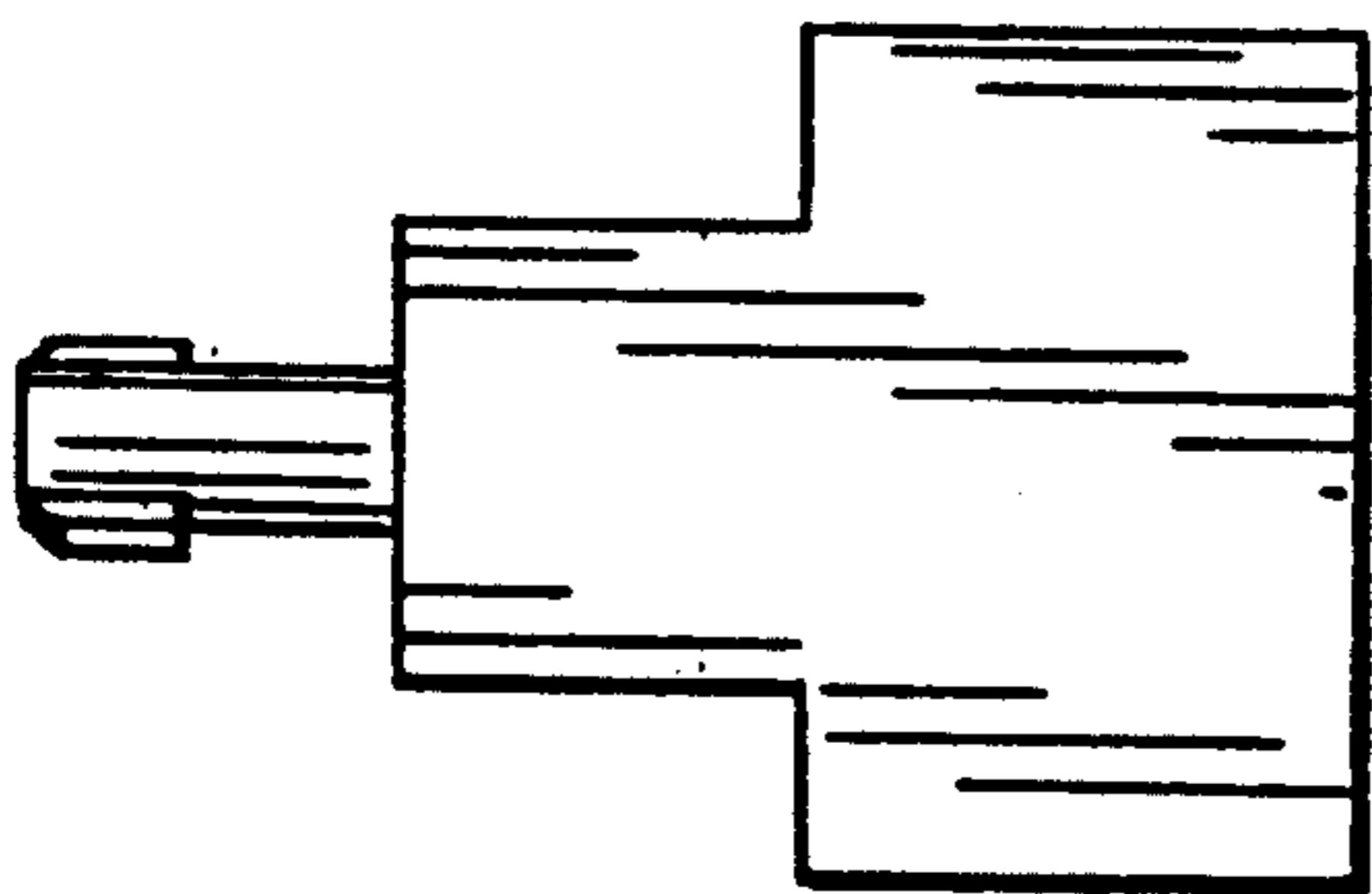


FIG. 9

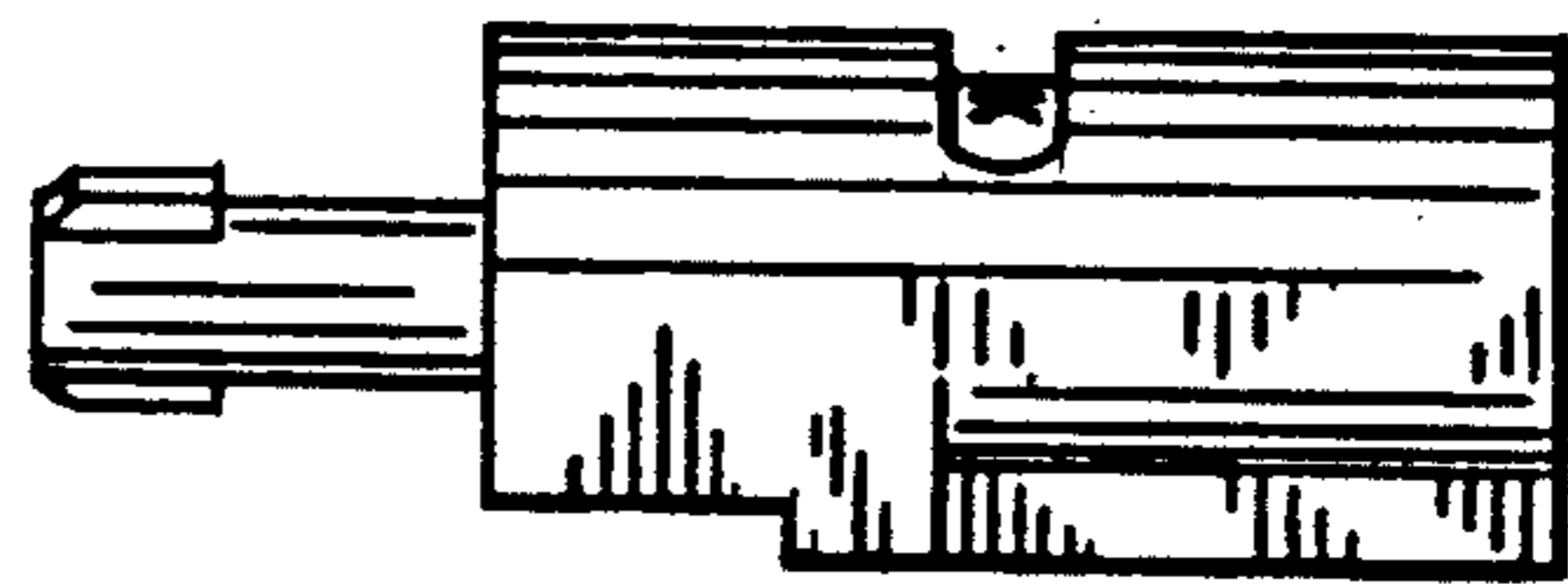


FIG. 10

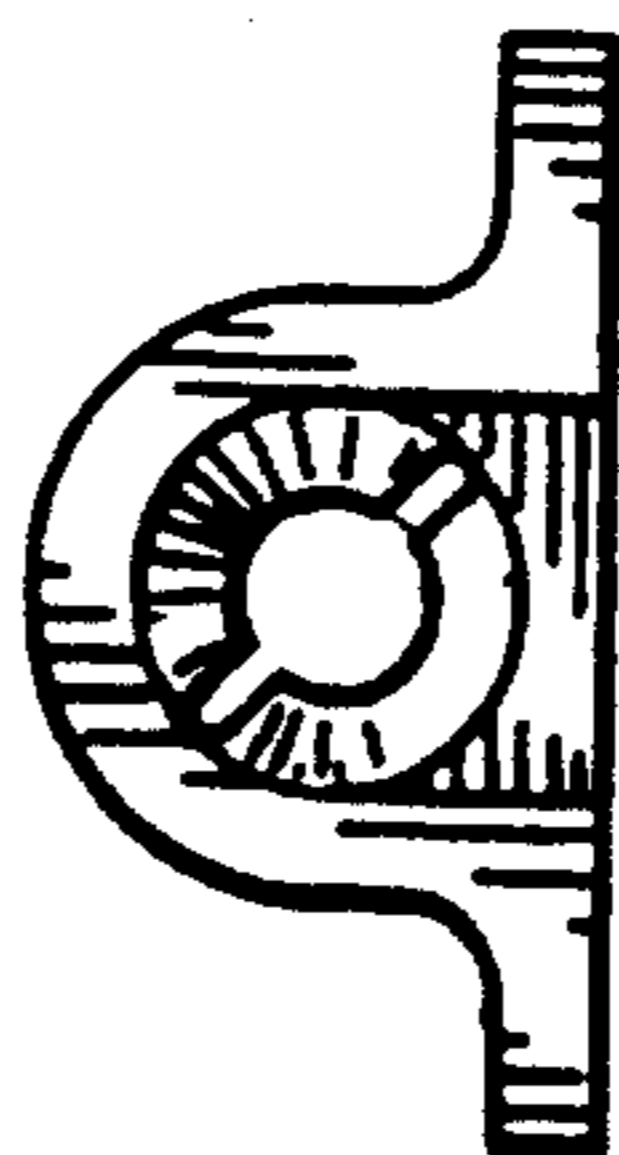


FIG. 11