



US00D344439S

# United States Patent [19]

Izumisawa

[11] Patent Number: **Des. 344,439**

[45] Date of Patent: **\*\* Feb. 22, 1994**

## [54] SPOT WELD DRILL

[75] Inventor: **Nobuyuki Izumisawa, Tokyo, Japan**

[73] Assignee: **Shinano, Inc., Japan**

[\*\*] Term: **14 Years**

[21] Appl. No.: **4,664**

[22] Filed: **Feb. 10, 1993**

[52] U.S. Cl. .... **D8/71; D8/72**

[58] Field of Search ..... **D8/61, 62, 71, 72, 73; 408/100, 111, 112, 136; 173/30**

### [56] References Cited

#### U.S. PATENT DOCUMENTS

2,642,760	6/1953	Goldberg .	
3,250,153	5/1966	Purkey .....	408/100
4,418,767	12/1983	Vindez .	
4,540,319	9/1985	Michiharu .	
4,810,137	3/1989	Yang .....	408/100

## FOREIGN PATENT DOCUMENTS

568228 3/1945 United Kingdom .

*Primary Examiner*—Alan P. Douglas  
*Assistant Examiner*—J. H. Musgrove  
*Attorney, Agent, or Firm*—Welsh & Katz, Ltd.

## [57] CLAIM

The ornamental design for a spot weld drill, as shown and described.

## DESCRIPTION

FIG. 1 is a perspective view of the spot weld drill showing my new design;

FIG. 2 is a top view thereof;

FIG. 3 is a side view thereof;

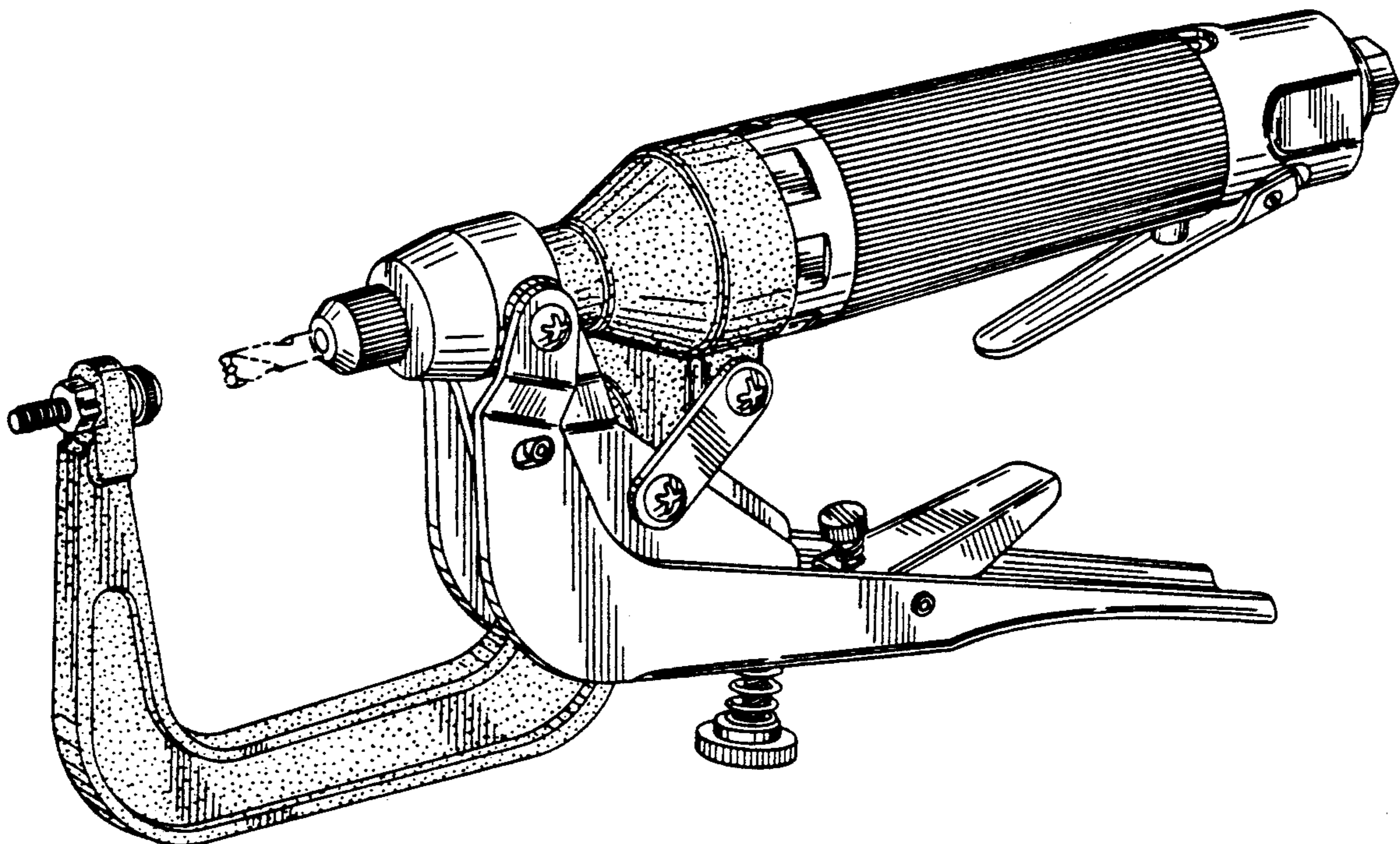
FIG. 4 is a bottom view thereof;

FIG. 5 is a front view thereof; and,

FIG. 6 is a rear view thereof.

The side of the spot weld drill, not shown, is the same as the side shown in FIG. 3.

The broken lines showing the tool bit is for illustrative purposes only and forms no part of the claimed invention.



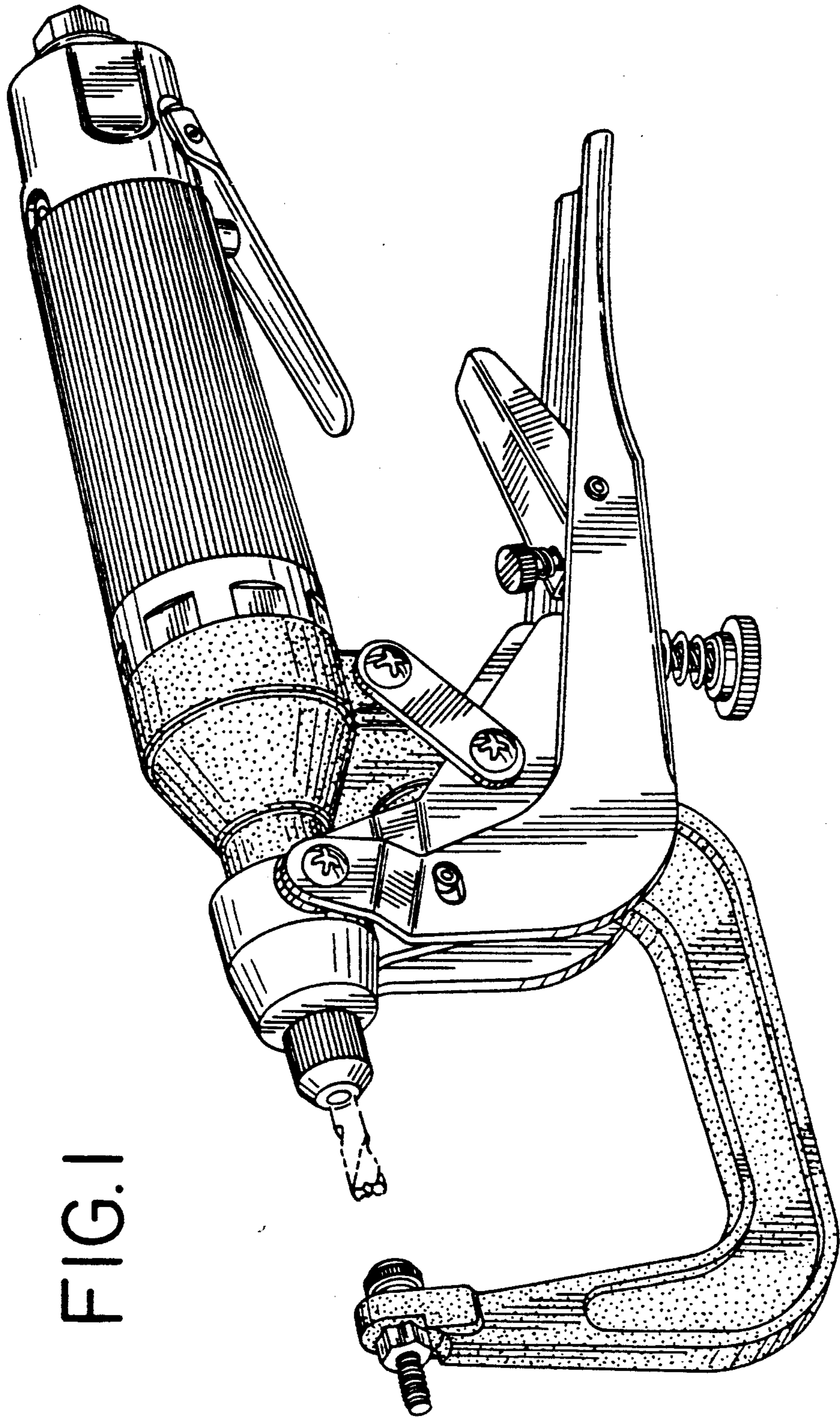


FIG. 1

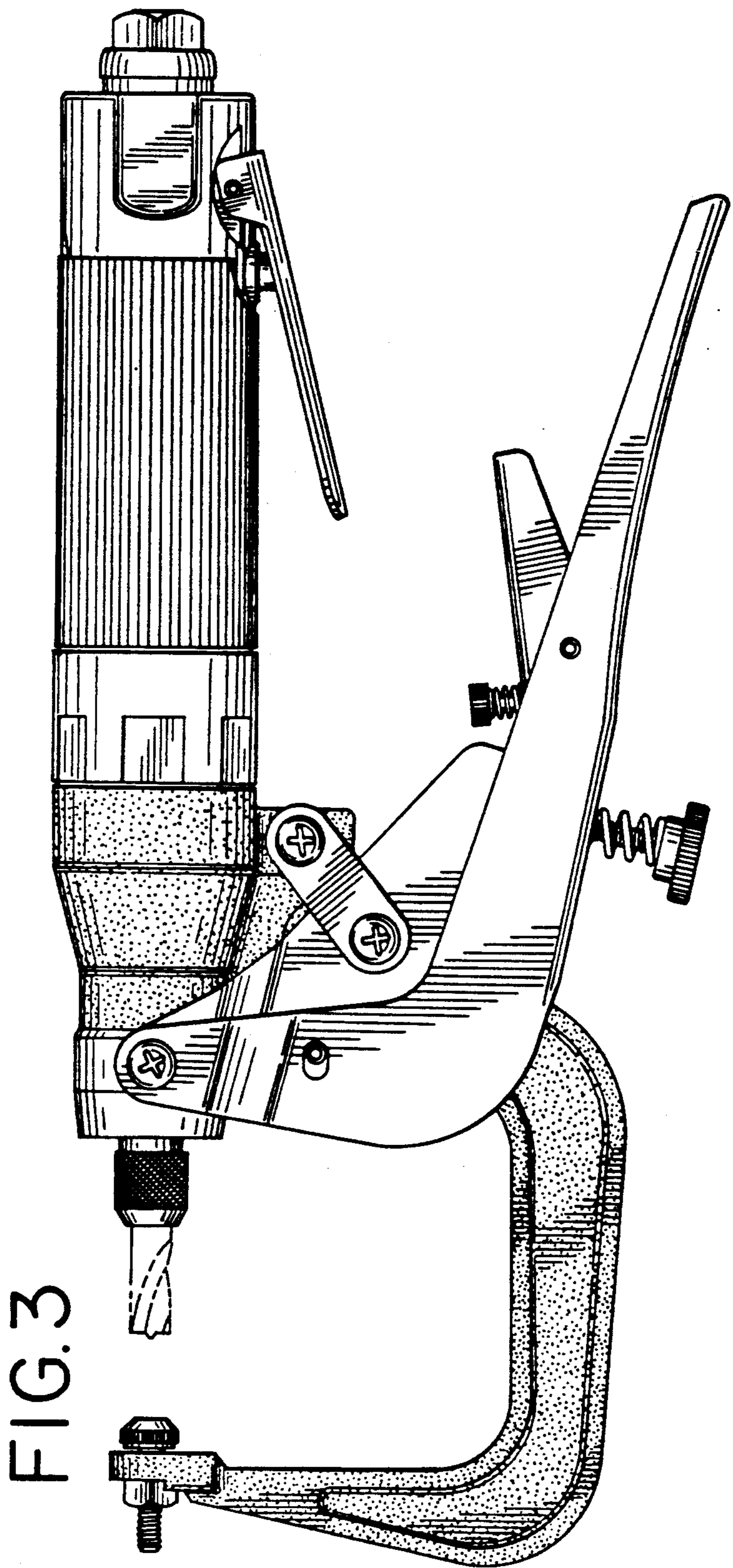
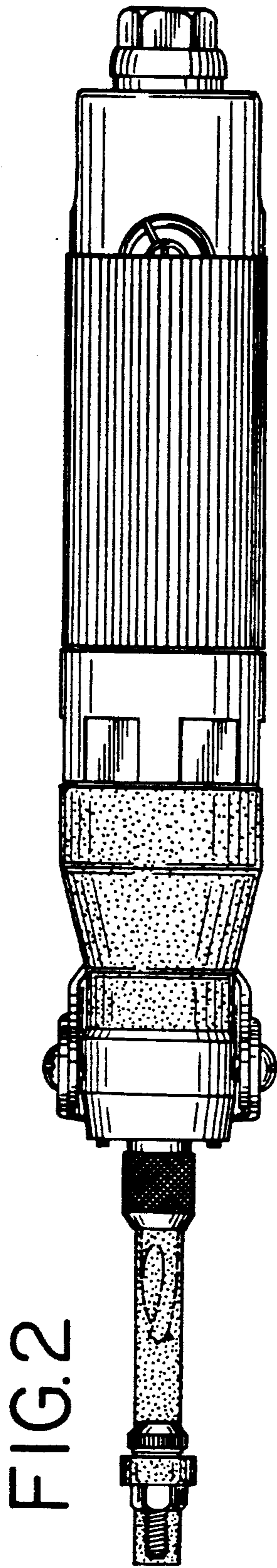


FIG. 4

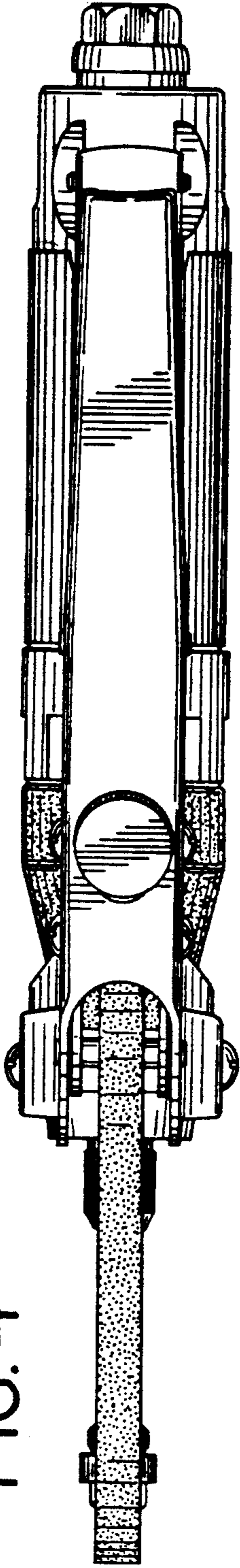


FIG. 5

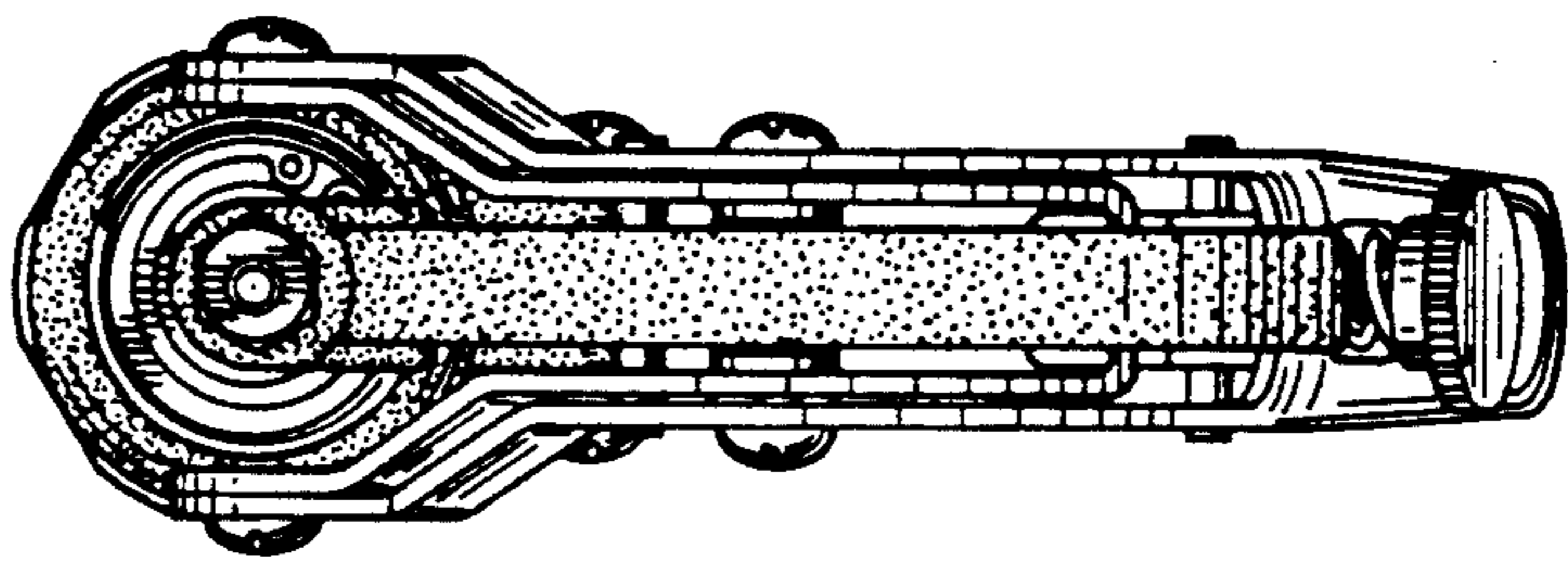


FIG. 6

