



US00D344437S

**United States Patent** [19]  
**Cleland et al.**

[11] **Patent Number: Des. 344,437**

[45] **Date of Patent: \*\* Feb. 22, 1994**

[54] **WRENCH FOR A GAS METER**  
[76] **Inventors: Kevin R. Cleland, 389 Windtree Ave.,  
Newbury Park, Calif. 91320;  
Michelle A. Gold, 389 Windtree  
Ave., Newbury Park, Calif. 91320**  
[\*\*] **Term: 14 Years**  
[21] **Appl. No.: 925,486**  
[22] **Filed: Aug. 6, 1992**  
[52] **U.S. Cl. .... D8/21**  
[58] **Field of Search ..... D8/17, 21, 14, 28;  
81/119, 121, 121.1, 124.4, 125.1, 176.1**

D. 287,927 1/1987 Zankich ..... D8/17  
D. 300,000 2/1989 Reinhardt ..... D8/21  
D. 301,010 5/1989 Renna ..... D8/21

*Primary Examiner—Bernard Ansher  
Assistant Examiner—Philip Hyder  
Attorney, Agent, or Firm—Jack C. Munro*

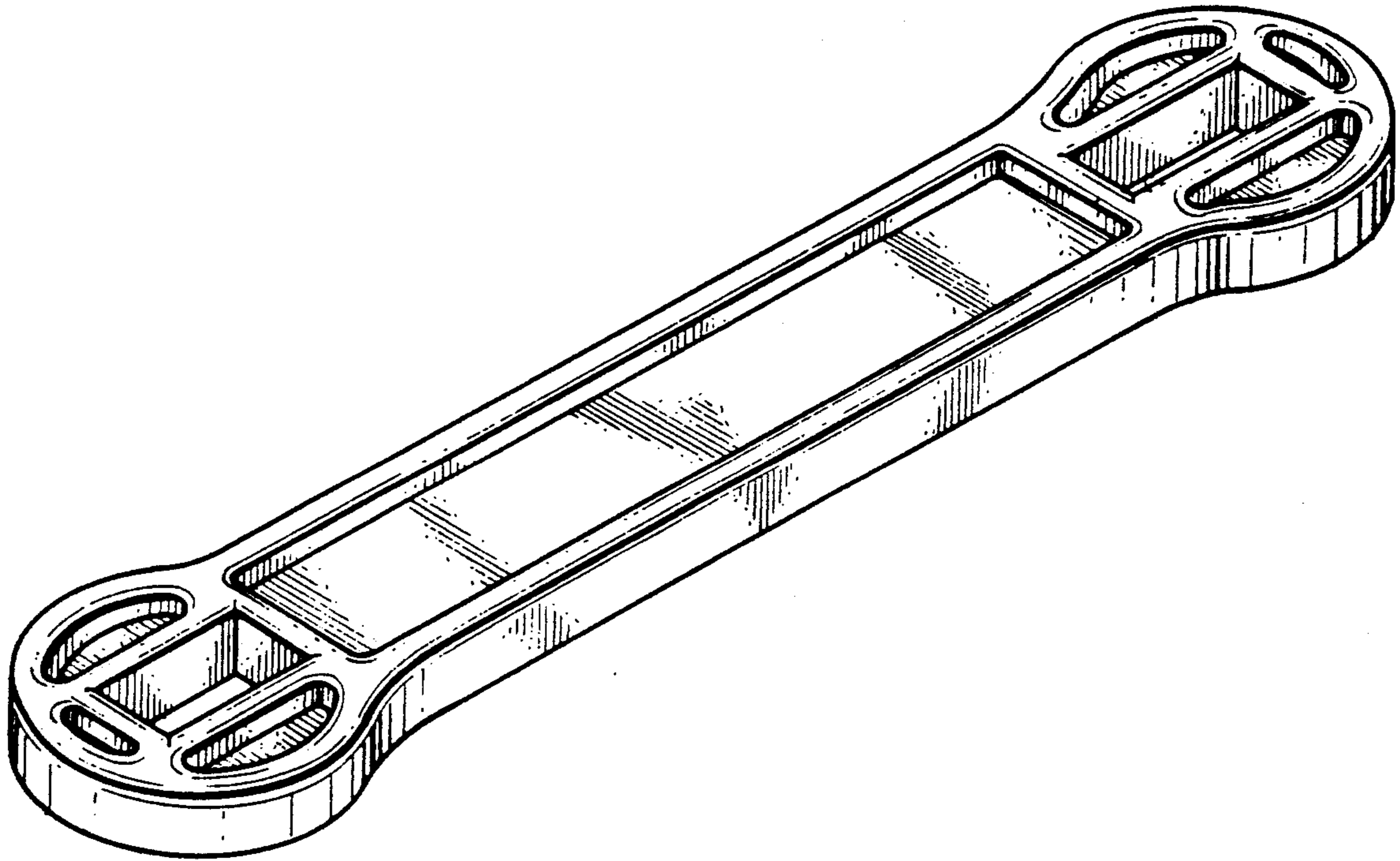
[57] **CLAIM**

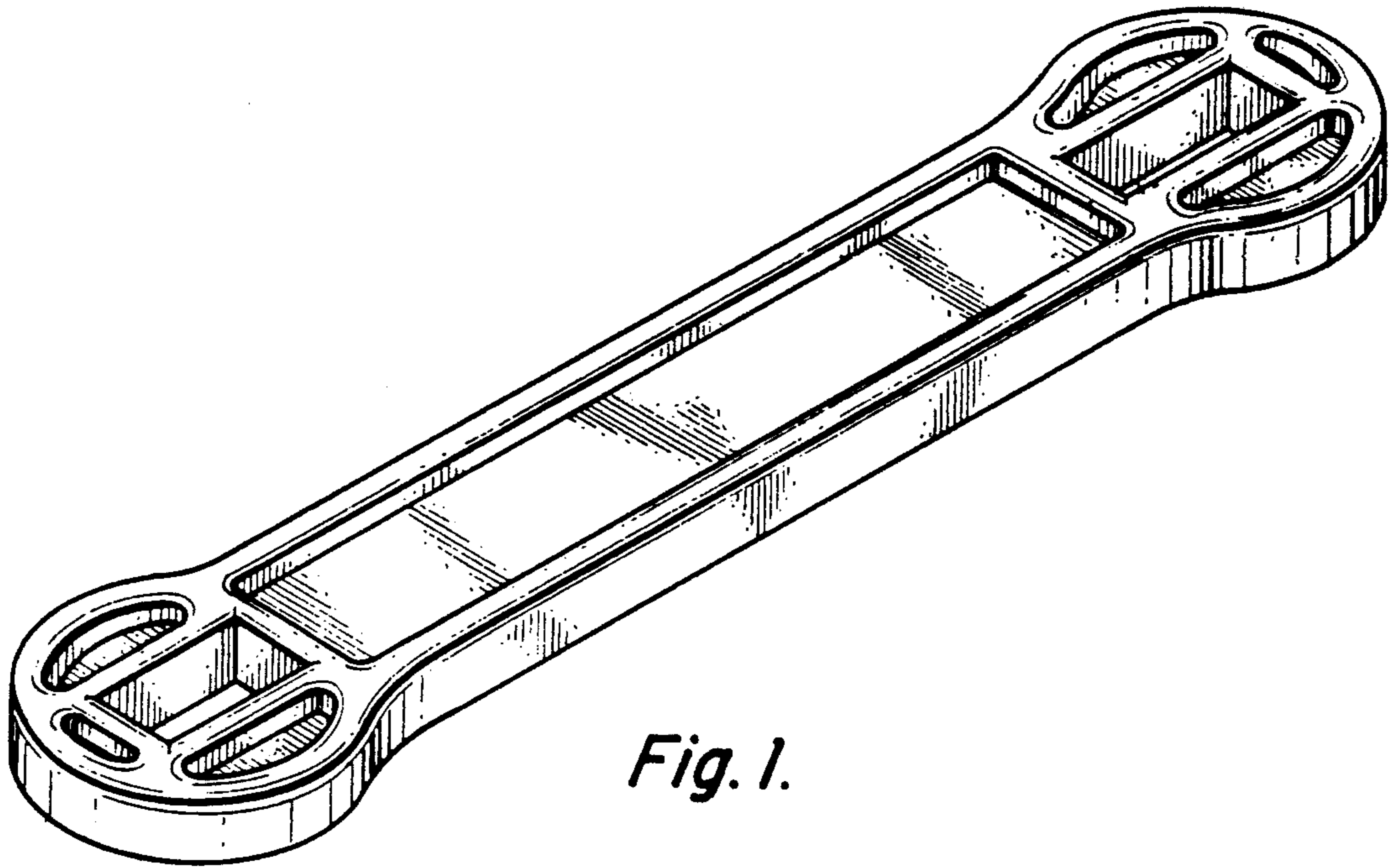
The ornamental design for a wrench for a gas meter, as shown.

**DESCRIPTION**

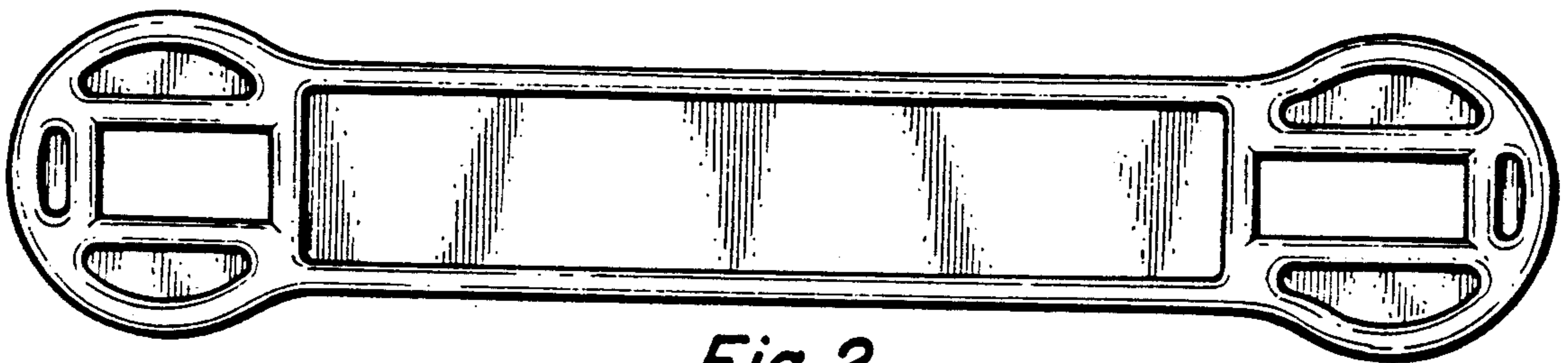
FIG. 1 is an isometric view of a wrench for a gas meter showing my new design;  
FIG. 2 is a front elevational view thereof with the rear elevational view being identical but reversed;  
FIG. 3 is a top plan view thereof with the bottom plan view being identical; and,  
FIG. 4 is a right side elevational view thereof with the left side elevational view being identical.

[56] **References Cited**  
**U.S. PATENT DOCUMENTS**  
D. 267,392 12/1982 Hildebrandt ..... D8/28  
D. 268,086 3/1983 Waters, Jr. .... D8/17  
D. 282,046 1/1986 Dumond et al. .... D8/17  
D. 285,948 9/1986 Mazzoleni ..... D8/17

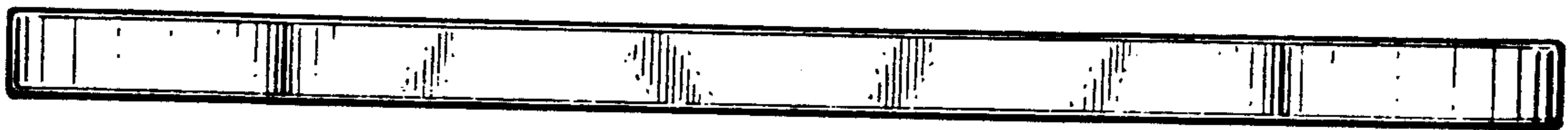




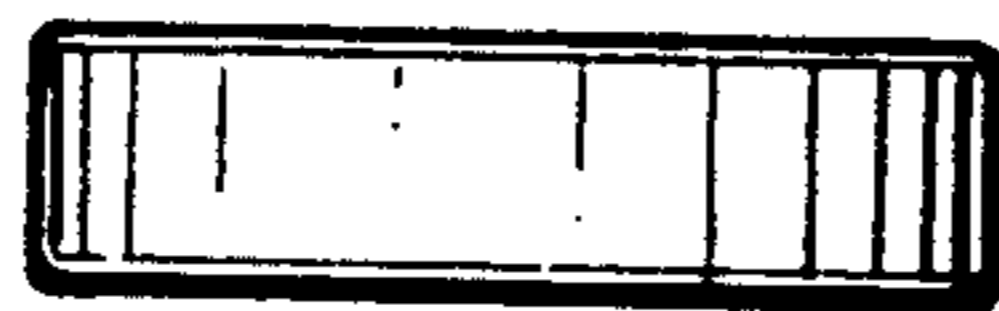
*Fig. 1.*



*Fig. 2.*



*Fig. 3.*



*Fig. 4.*