



US00D344436S

# United States Patent [19]

[11] Patent Number: **Des. 344,436**

**Walls et al.**

[45] Date of Patent: **\*\* Feb. 22, 1994**

[54] **TRAY**

D. 233,581 11/1974 Bridges et al. .... D7/554

[76] Inventors: **Earl M. Walls**, 2807 South Owen School Road, Independence Missouri, 64057; **Jerry Thacker**, Rt. 1, Box 24-A, Barnard, Missouri, 64423

D. 271,932 12/1983 Mosley ..... D9/424 X

4,927,024 5/1990 Lloyd ..... D7/554 X

*Primary Examiner*—Terry A. Wallace  
*Attorney, Agent, or Firm*—Kokjer, Kircher, Bowman & Johnson

[\*\*] Term: **14 Years**

[57] **CLAIM**

[21] Appl. No.: **878,303**

The ornamental design for a tray, as shown and described.

[22] Filed: **May 4, 1992**

[52] U.S. Cl. .... **D7/603; D7/554**

### DESCRIPTION

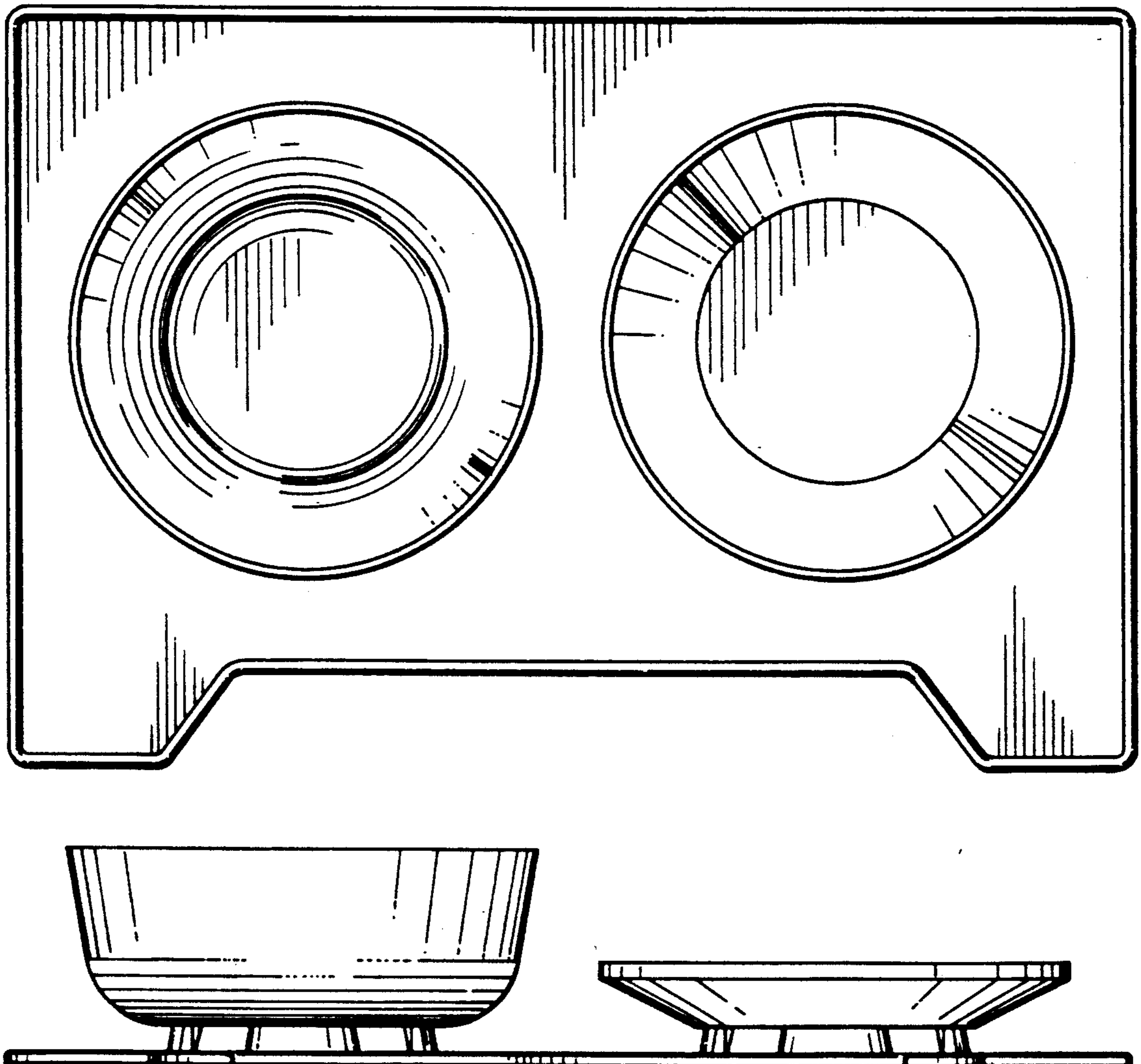
[58] Field of Search ..... **D7/550, 553, 554, 602; 206/557, 561-565; 220/23.83, 23.86**

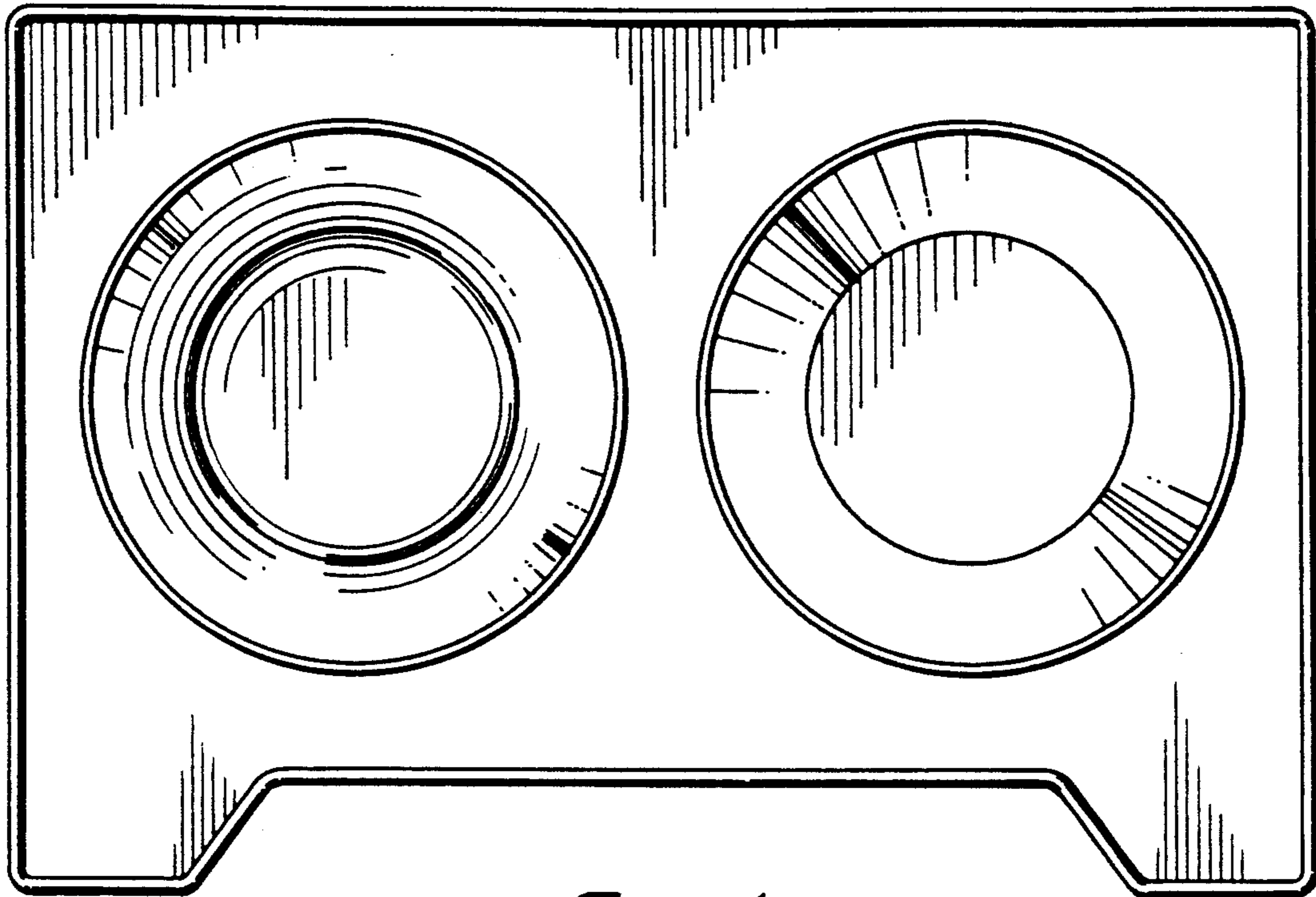
FIG. 1 is a top plan view of a tray showing our new design, the bottom view being flat and unornamented; FIG. 2 is a front elevational view thereof; FIG. 3 is a left end elevational view thereof; and, FIG. 4 is a right end elevational view thereof.

[56] **References Cited**

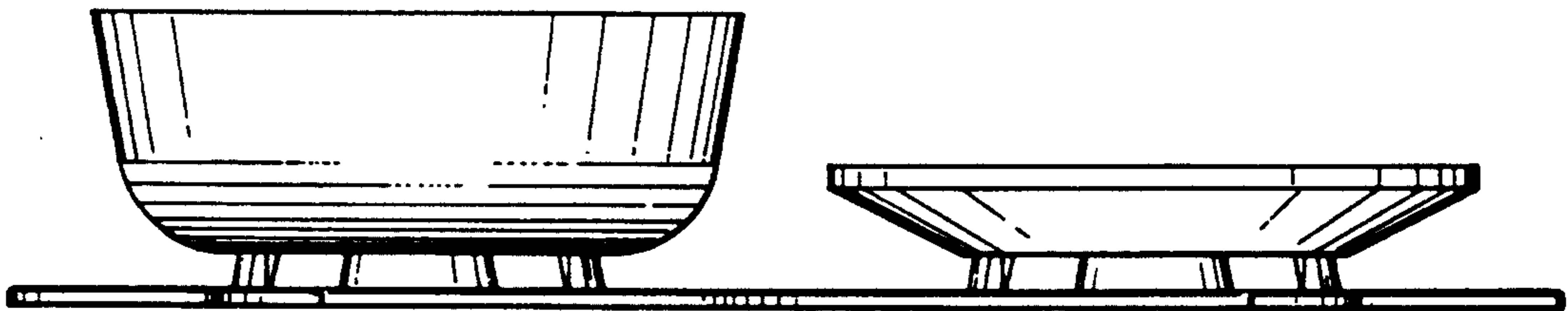
#### U.S. PATENT DOCUMENTS

D. 226,830 5/1973 Bridges ..... D7/554

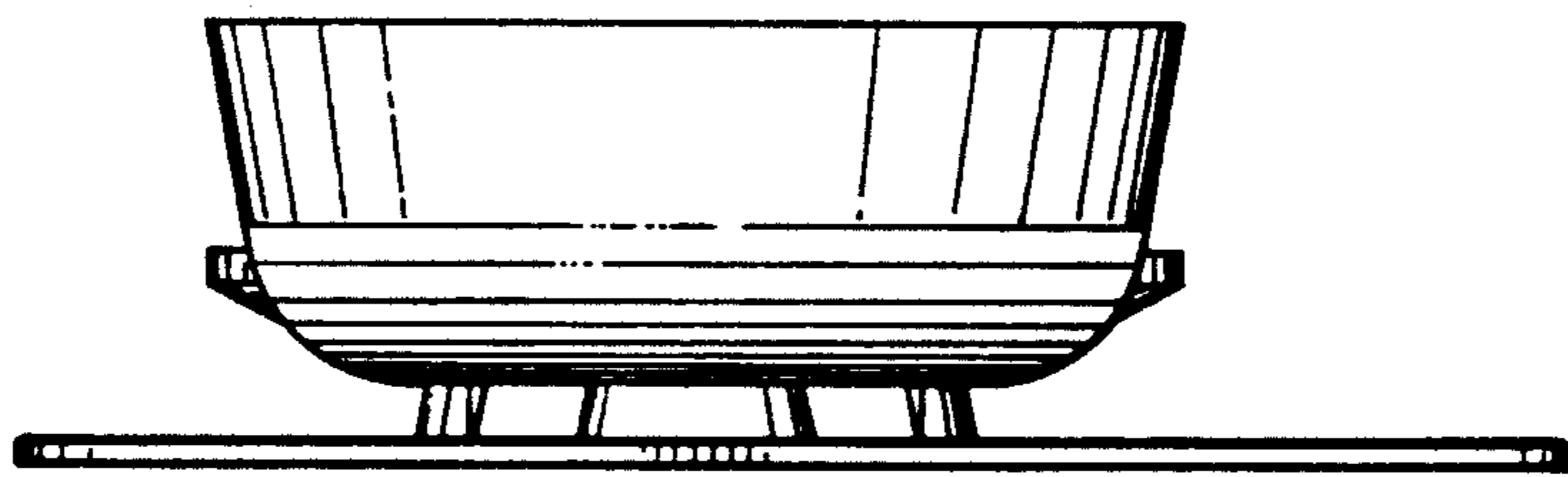




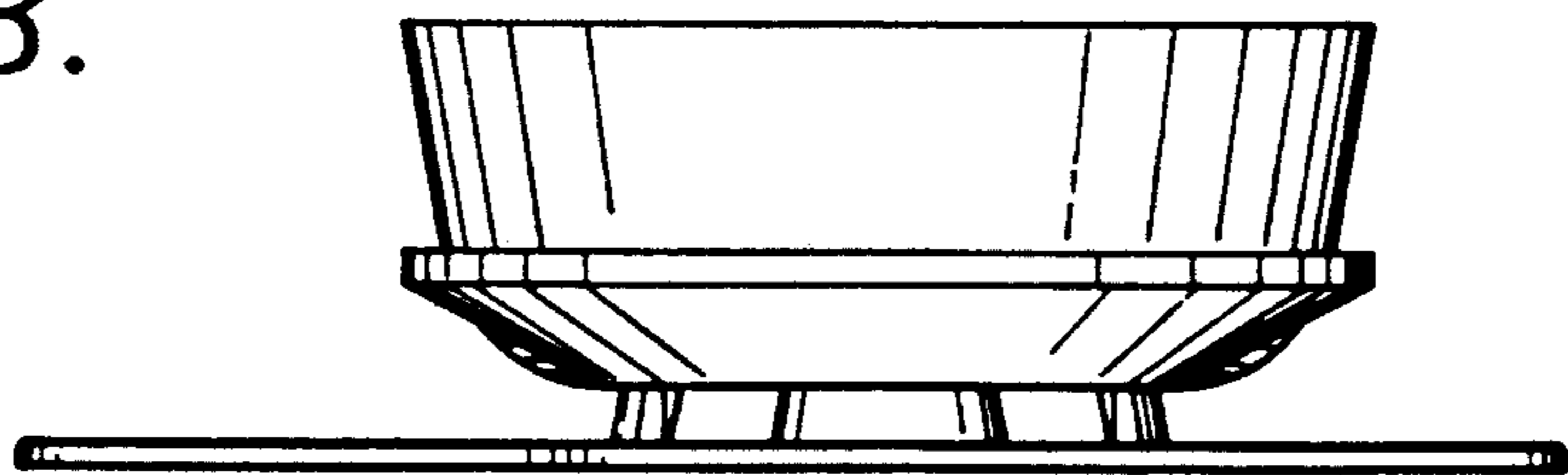
*Fig. 1.*



*Fig. 2.*



*Fig. 3.*



*Fig. 4.*