



US00D344433S

United States Patent [19]

[11] Patent Number: **Des. 344,433**

Philippe

[45] Date of Patent: **** Feb. 22, 1994**

[54] **HANDLE FOR COOKWARE**

[56] **References Cited**

[75] Inventor: **Raoul Philippe, Annecy Le Vieux, France**

U.S. PATENT DOCUMENTS

- D. 157,677 3/1950 Hess D7/395
- D. 275,440 9/1984 Matsuhisa D7/361 X
- D. 326,793 6/1992 Ernster D7/395
- 3,837,895 9/1974 Pryor et al. D7/361 X

[73] Assignee: **Tefal S.A., Rumilly, France**

Primary Examiner—Nelson C. Holtje
Assistant Examiner—Caron D. Veynar
Attorney, Agent, or Firm—Young & Thompson

[**] Term: **14 Years**

[57] **CLAIM**

[21] Appl. No.: **898,405**

The ornamental design for a handle for cookware, as shown and described.

[22] Filed: **Jun. 15, 1992**

DESCRIPTION

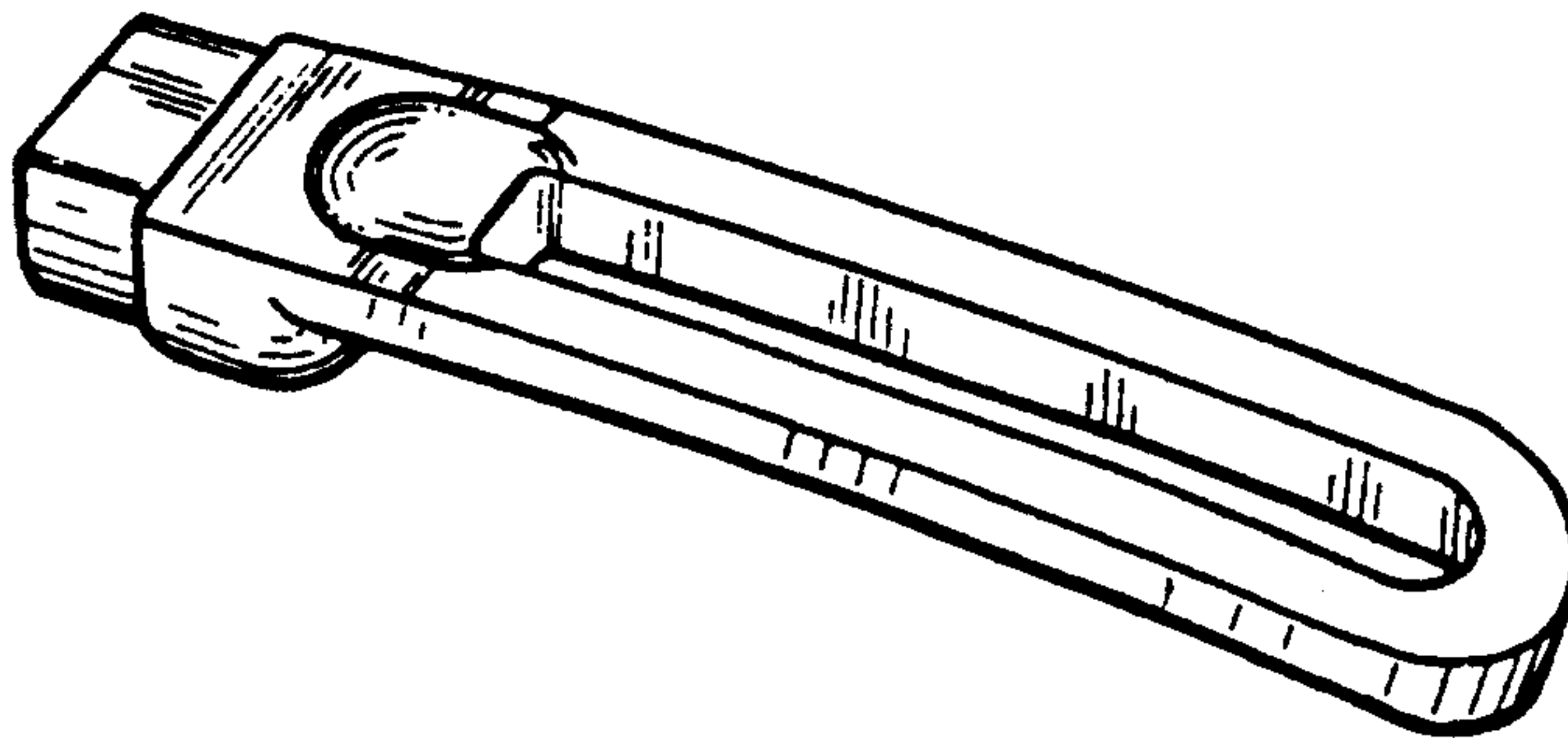
[30] **Foreign Application Priority Data**

Jan. 8, 1992 [FR] France 92 0077

[52] U.S. Cl. **D7/395; D7/393**

[58] Field of Search **D7/323, 354, 355, 356, D7/361, 393, 395; 16/110 R, 110 A, 114 A, 116 R, 118; 220/752**

FIG. 1 is a left side elevational view of a handle for cookware showing my new design, the right side elevational view being a mirror image;
FIG. 2 is a top plan view thereof;
FIG. 3 is a bottom plan view thereof;
FIG. 4 is a front elevational view thereof;
FIG. 5 is a rear elevational view thereof; and,
FIG. 6 is a perspective view thereof.



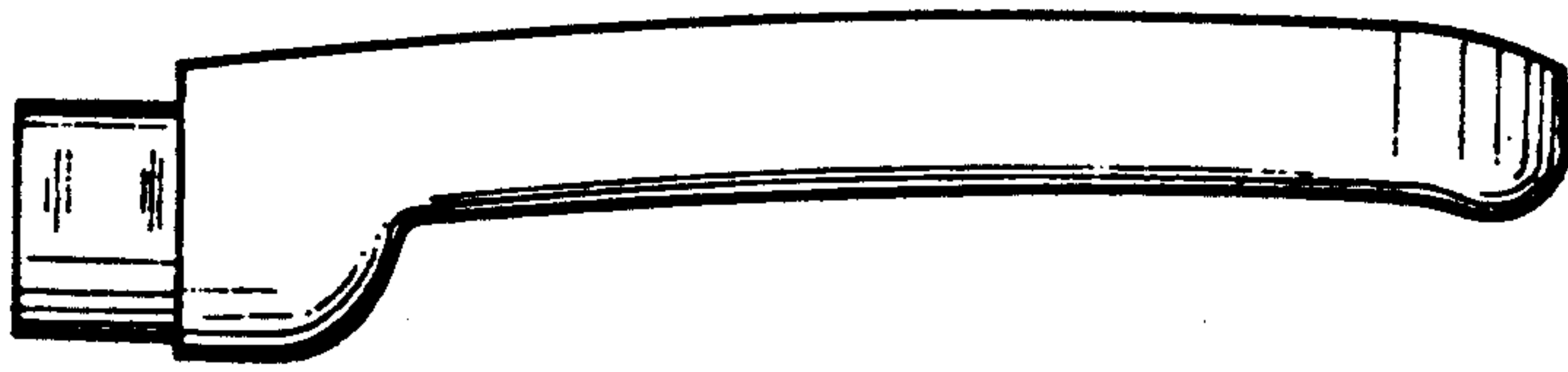


FIG. 1

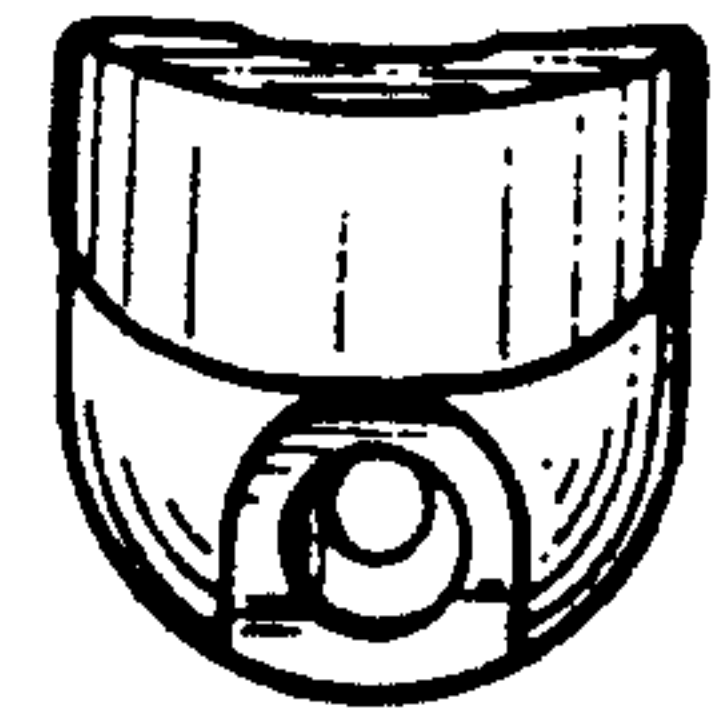


FIG. 4

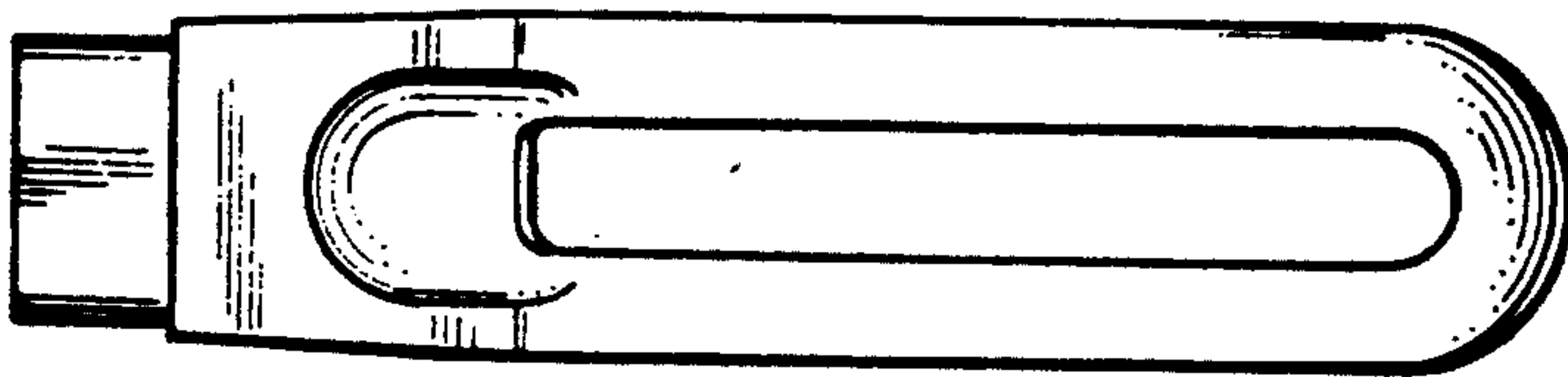


FIG. 2

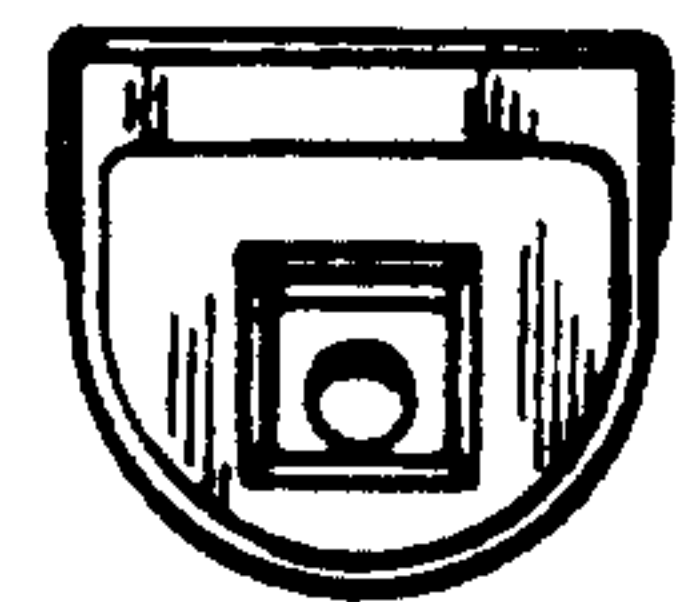


FIG. 5

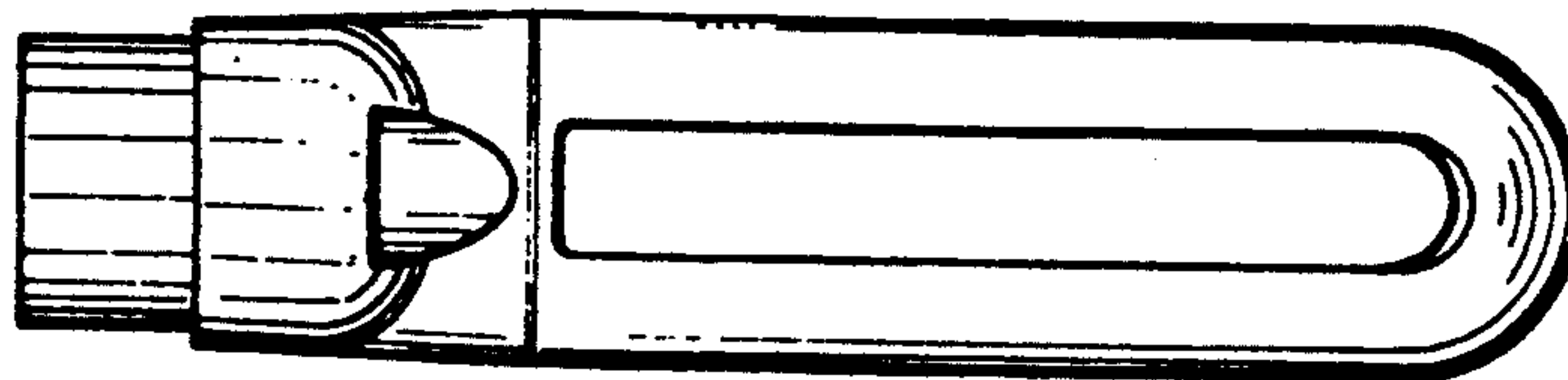


FIG. 3

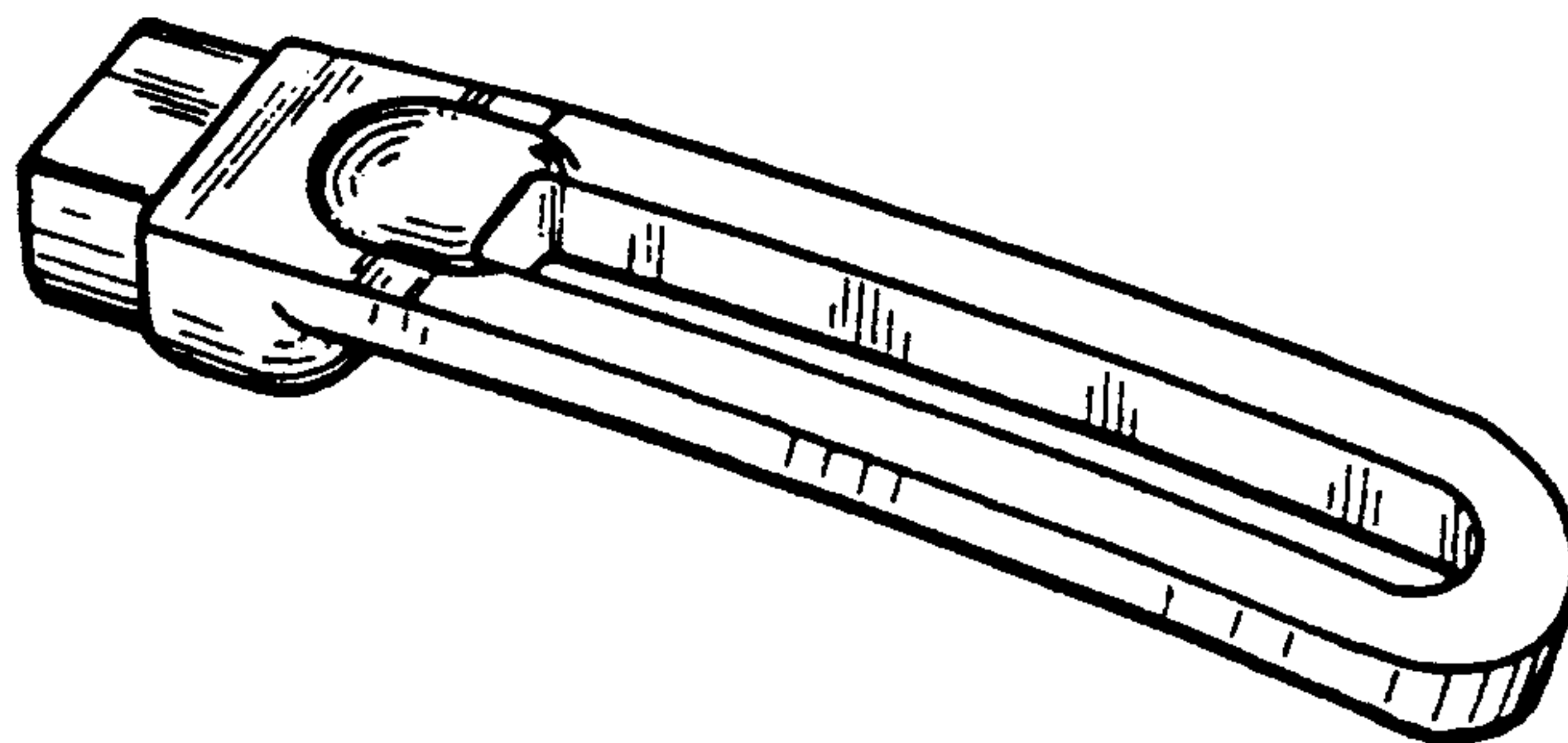


FIG. 6

UNITED STATES PATENT AND TRADEMARK OFFICE
CERTIFICATE OF CORRECTION

PATENT NO. : Des. 344,433
DATED : February 22, 1994
INVENTOR(S) : Philippe RAOULT

It is certified that error appears in the above—identified patent and that said Letters Patent is hereby corrected as shown below:

On the title page, in Item [19], change the inventor's surname from "Philippe" to --Raoult--.

On the title page, in Item [75], change the inventor's name from "Raoult Philippe" to --Philippe Raoult--.

Signed and Sealed this
Thirty-first Day of May, 1994

Attest:



BRUCE LEHMAN

Attesting Officer

Commissioner of Patents and Trademarks