



US00D344429S

United States Patent [19]

[11] Patent Number: **Des. 344,429**

Conroy

[45] Date of Patent: **** Feb. 22, 1994**

- [54] **ELECTRIC PEELER**
- [75] Inventor: **David Conroy, Brooklyn, N.Y.**
- [73] Assignee: **Farberware Inc., Bronx, N.Y.**
- [**] Term: **14 Years**
- [21] Appl. No.: **886,443**
- [22] Filed: **May 20, 1992**
- [52] U.S. Cl. **D7/372**
- [58] Field of Search **D7/372, 646, 693, 695;**
30/123.3, 123.5, 123.6, 123.7, 272, 278, 279 R,
280, 287

3,303,563	2/1967	Peterson	30/272
3,472,323	10/1969	Hall	173/163
3,491,819	1/1970	Sawrenko	146/203
3,555,678	1/1971	Agulnick et al. .	
3,646,675	3/1972	Wezel	30/217
3,750,671	8/1973	Hedrick	128/305
4,071,030	1/1978	Hedrick	128/310
4,073,056	2/1978	Schaeffer et al.	30/123.5
4,128,939	12/1978	Schaeffer	30/123
4,186,461	2/1980	Leining	17/21
4,211,002	7/1980	Kirk	30/123.3
4,290,197	9/1981	Zaroor	30/123.7
4,348,807	9/1982	Ashdown et al.	30/123
4,592,140	6/1986	Chasen	30/123.7
4,631,827	12/1986	Moore	30/272 A
4,702,006	10/1987	McCullough	30/276
4,776,092	10/1988	Moore et al.	30/123.5
4,891,884	1/1990	Torbet	30/277.4
4,920,645	5/1990	Baudouin	30/162
4,972,769	11/1990	Cailliot	99/593
4,982,499	1/1991	Fortin	30/123.5

[56] **References Cited**
U.S. PATENT DOCUMENTS

174,417	3/1876	Evans .	
174,513	3/1876	Furey .	
226,217	4/1880	Whittemore .	
D. 254,048	1/1980	Hauenstein	D7/139
D. 277,923	3/1985	Kafka	d7/379
360,527	4/1887	Hudson .	
462,626	11/1891	Cox .	
1,237,251	8/1917	Lying .	
1,331,842	2/1920	Carey .	
1,833,246	11/1931	Finocchiaro .	
1,837,655	12/1931	Craft .	
1,890,506	12/1932	Frank et al. .	
2,005,862	6/1935	Johnsen	30/11
2,114,569	4/1938	Paolini et al.	30/272
2,168,703	8/1939	Dziedzic et al.	30/272
2,380,787	7/1945	Pierce et al.	30/220
2,542,426	2/1951	Orling	17/1
2,623,283	12/1952	Godfrey et al.	30/216
2,630,628	3/1953	Hall	30/216
2,781,578	2/1957	Guilfoyle	30/282
2,825,968	3/1958	Baer	30/355
2,830,368	4/1958	Knoll et al.	30/272
2,831,517	4/1958	Pouzoulet	146/49
2,945,298	7/1960	Guttmann	30/272
2,958,355	11/1960	Young	146/204
2,979,820	4/1961	Thompson	30/215
3,014,276	12/1961	Prohaska	30/272
3,026,612	3/1962	Szczepanski	30/123
3,164,183	1/1965	Kirkpatrick	146/204
3,203,095	8/1965	Nelson	30/272
3,223,008	12/1965	Barber et al.	128/310
3,292,679	12/1966	Roth	146/204

FOREIGN PATENT DOCUMENTS

2743353	9/1977	Fed. Rep. of Germany .
9101779	2/1991	Fed. Rep. of Germany .
633678	9/1926	France .
2402433	9/1977	France .
318777	10/1928	United Kingdom .

OTHER PUBLICATIONS

Hermann Mellert GmbH & Co. KG, Advertisement, Jun. 20, 1991, Electric Peeler.

Primary Examiner—Terry A. Wallace
Attorney, Agent, or Firm—Seidel, Gonda, Lavorgna & Monaco

[57] **CLAIM**

The ornamental design of a electric peeler, as shown.

DESCRIPTION

FIG. 1 is a top, front, right side perspective view of a electric peeler showing the new design; FIG. 2 is a right side elevation thereof; FIG. 3 is a left side elevation thereof; FIG. 4 is a bottom plan view thereof; FIG. 5 is a top plan view thereof; FIG. 6 is a front elevation thereof; and, FIG. 7 is a rear elevation thereof.

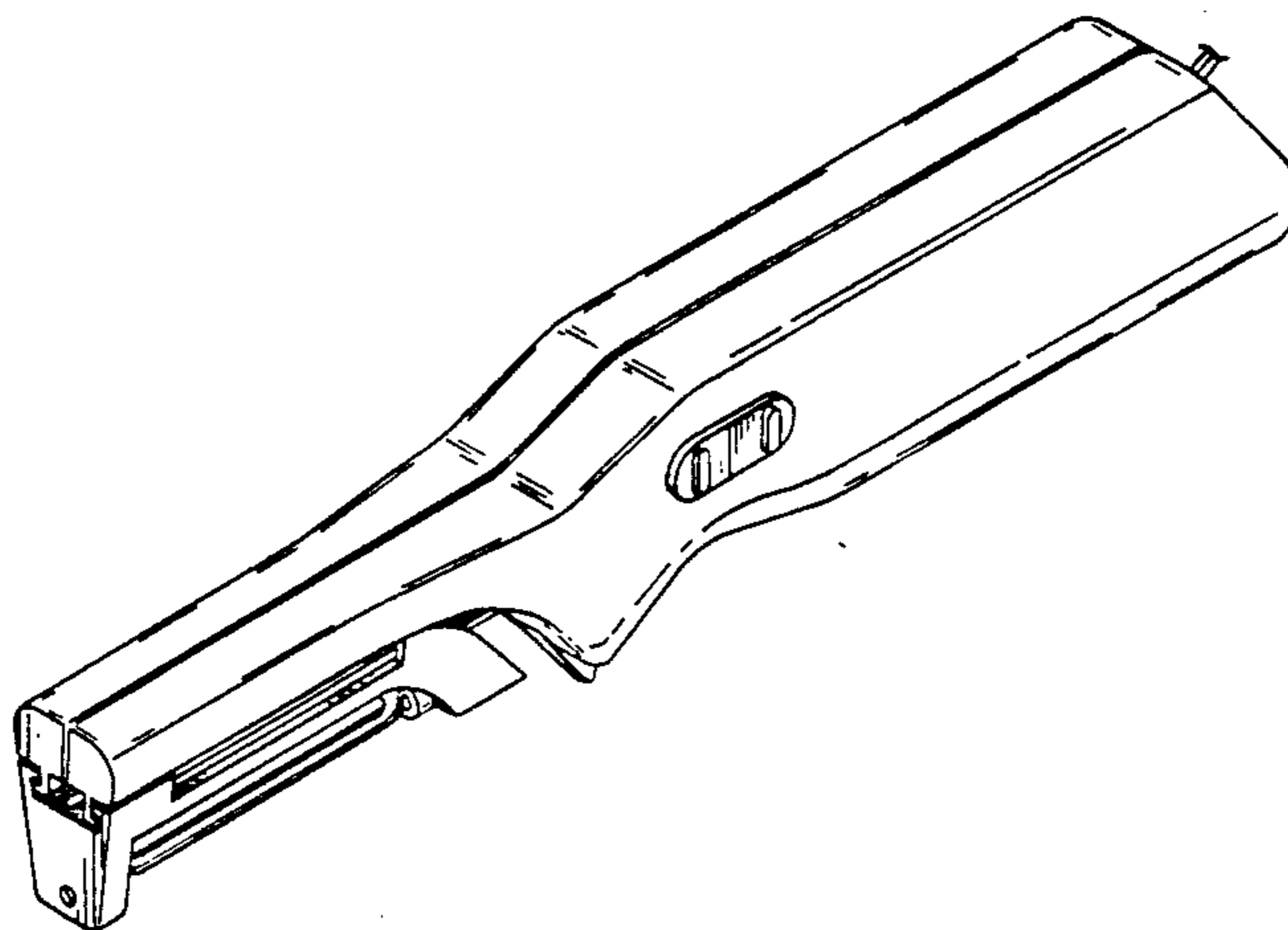


FIG. 6

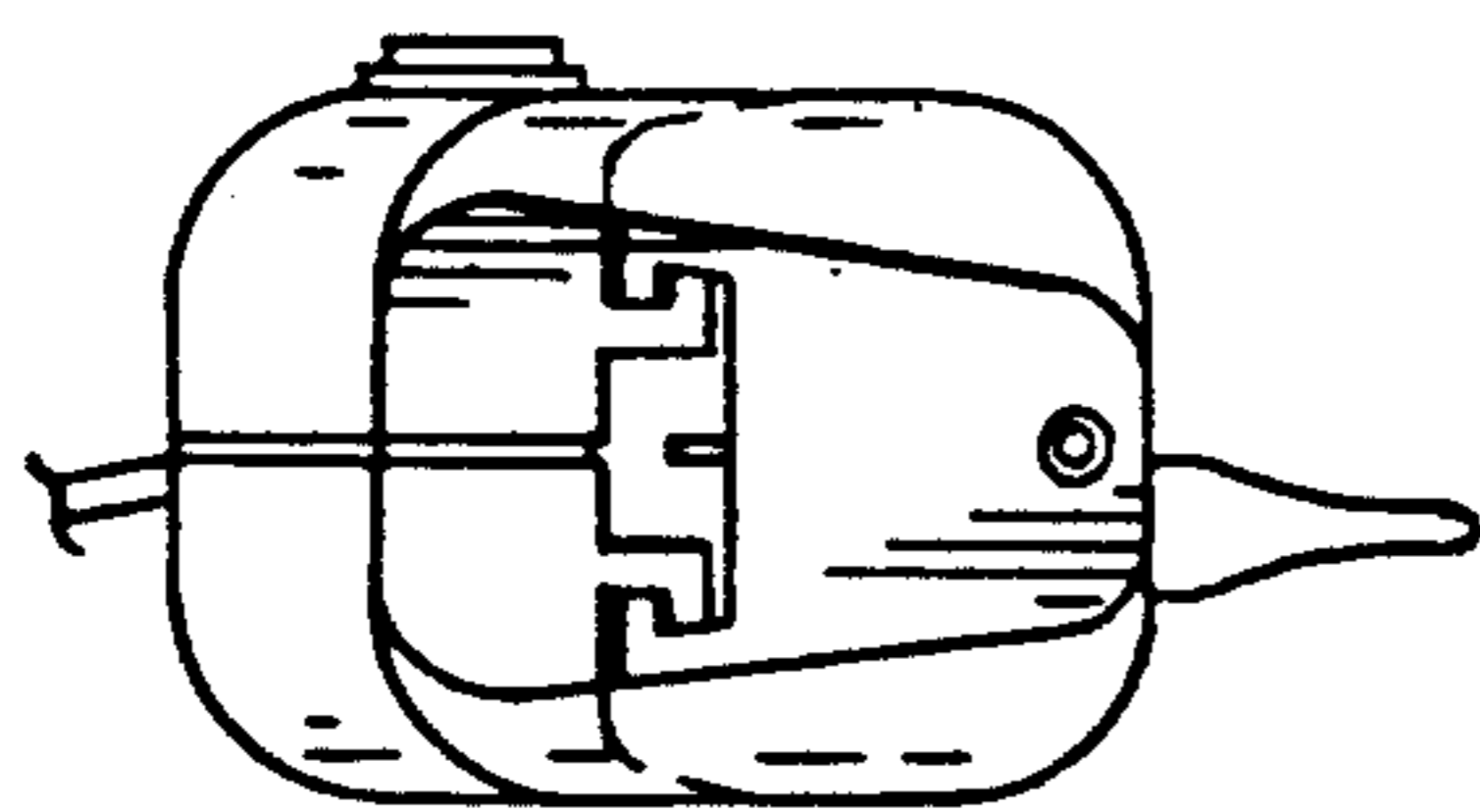


FIG. 1

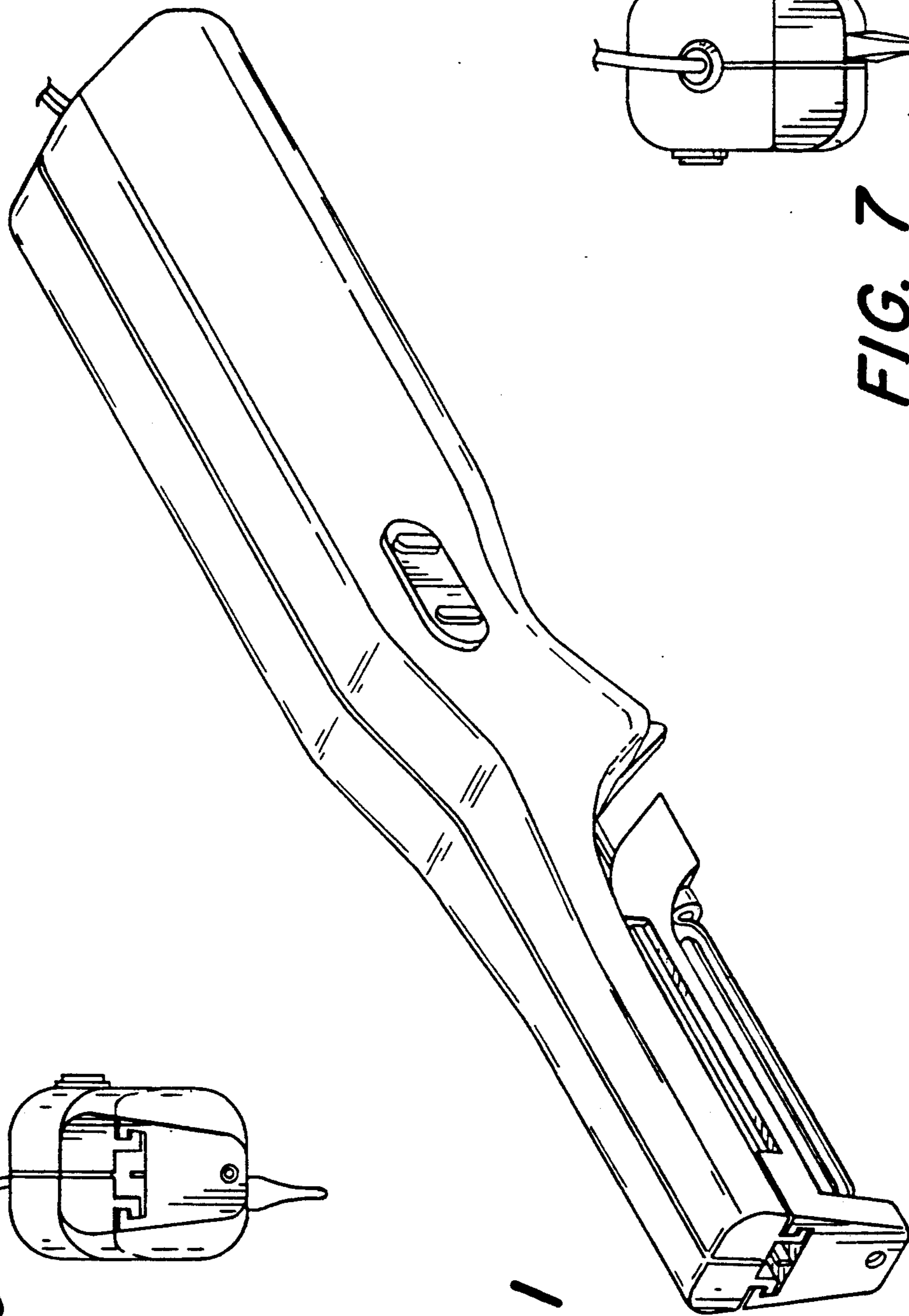


FIG. 7

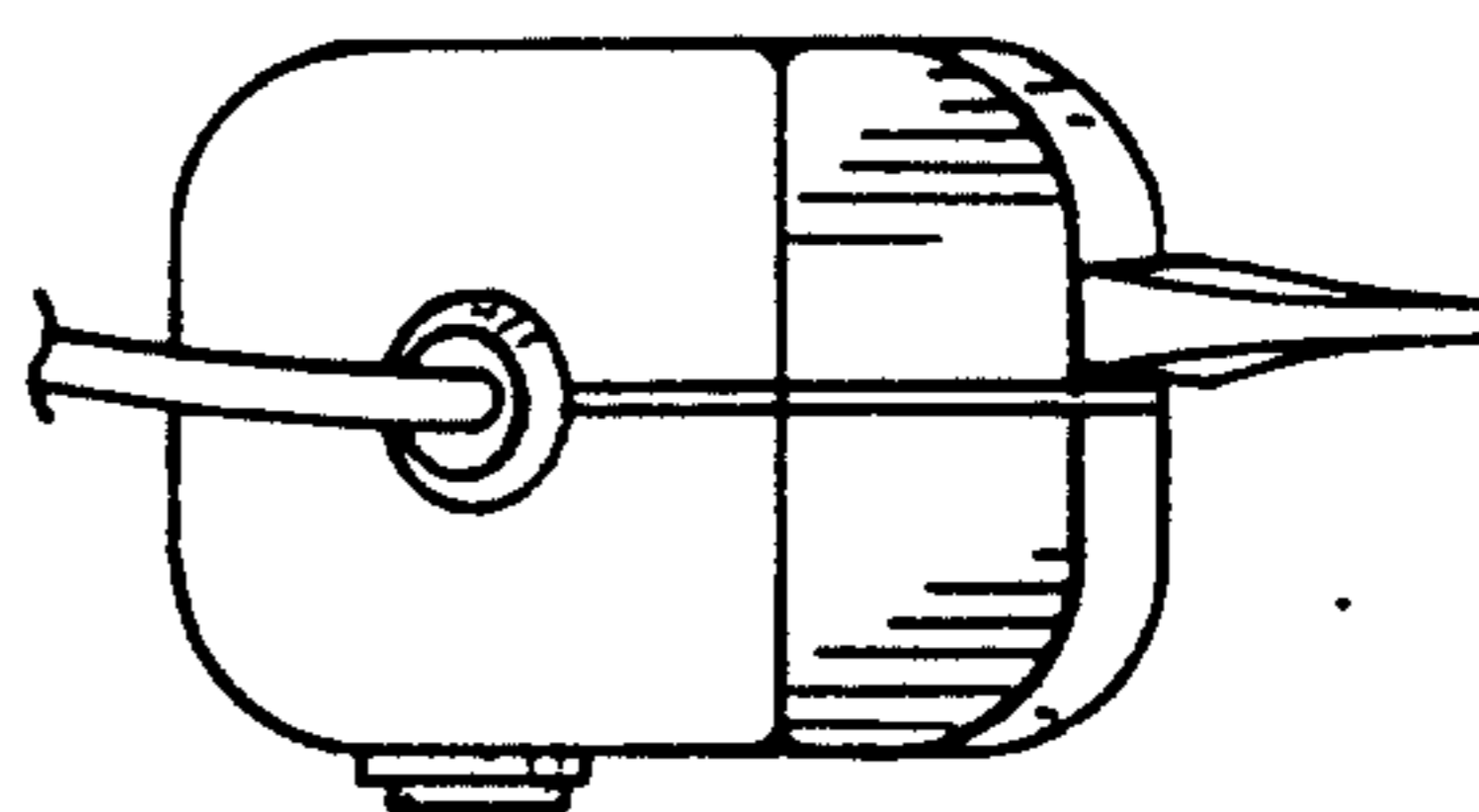


FIG. 2

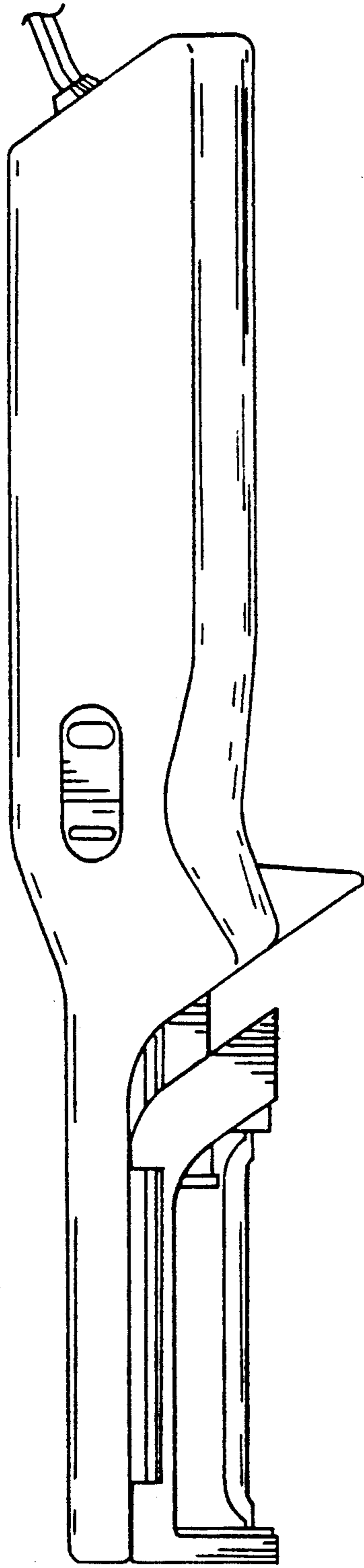


FIG. 3

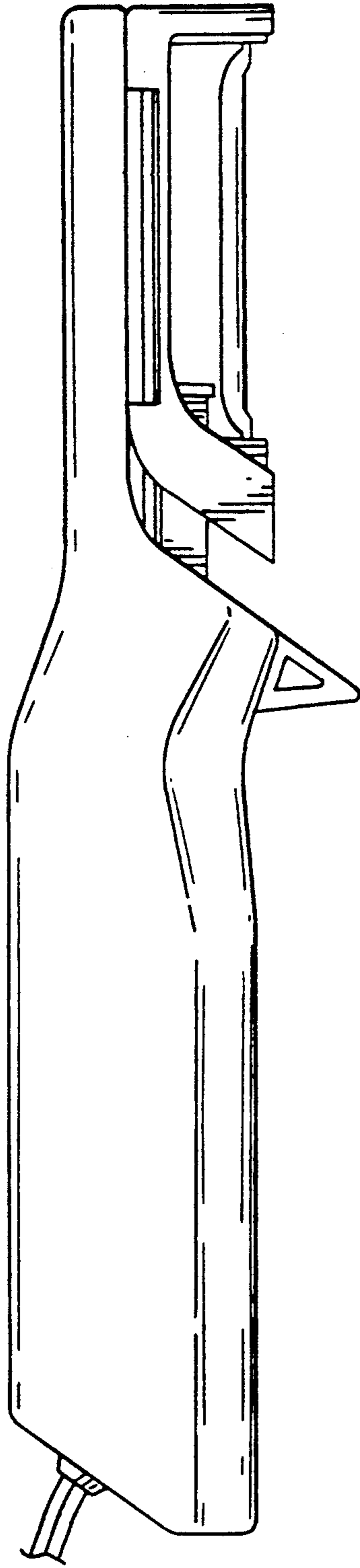


FIG. 4

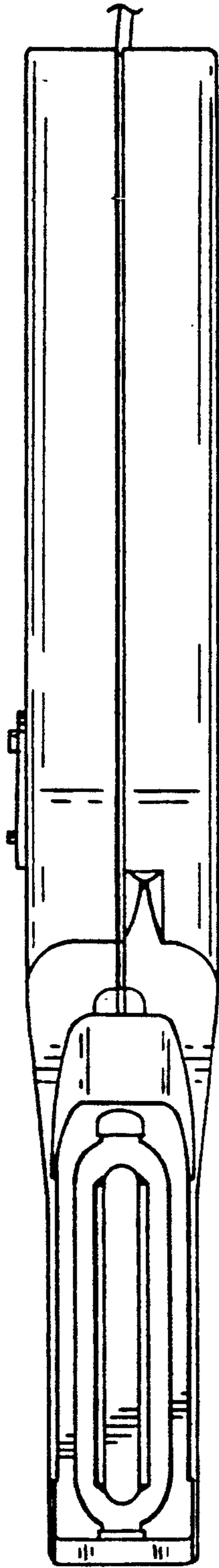


FIG. 5

