



US00D344422S

United States Patent [19] Dukes

[11] Patent Number: **Des. 344,422**
[45] Date of Patent: **** Feb. 22, 1994**

[54] **DESK ATTACHED ERASER DUST CATCHER**

4,802,595 2/1989 Northinton .
4,920,895 5/1990 Burke et al. 211/88 X

[76] Inventor: **Kenneth N. Dukes, 4645 Ethan Glenn, Orlando, Fla. 32812**

Primary Examiner—Nelson C. Holtje
Assistant Examiner—J. E. Seeger
Attorney, Agent, or Firm—Terry M. Gernstein

[**] Term: **14 Years**

[21] Appl. No.: **741,165**

[57] **CLAIM**

[22] Filed: **Aug. 7, 1991**

The ornamental design for a desk attached eraser dust catcher, as shown and described.

[52] U.S. Cl. **D6/509; D6/491**

[58] Field of Search **D6/491, 492, 494, 509-511; 108/25, 26; 211/88, 175**

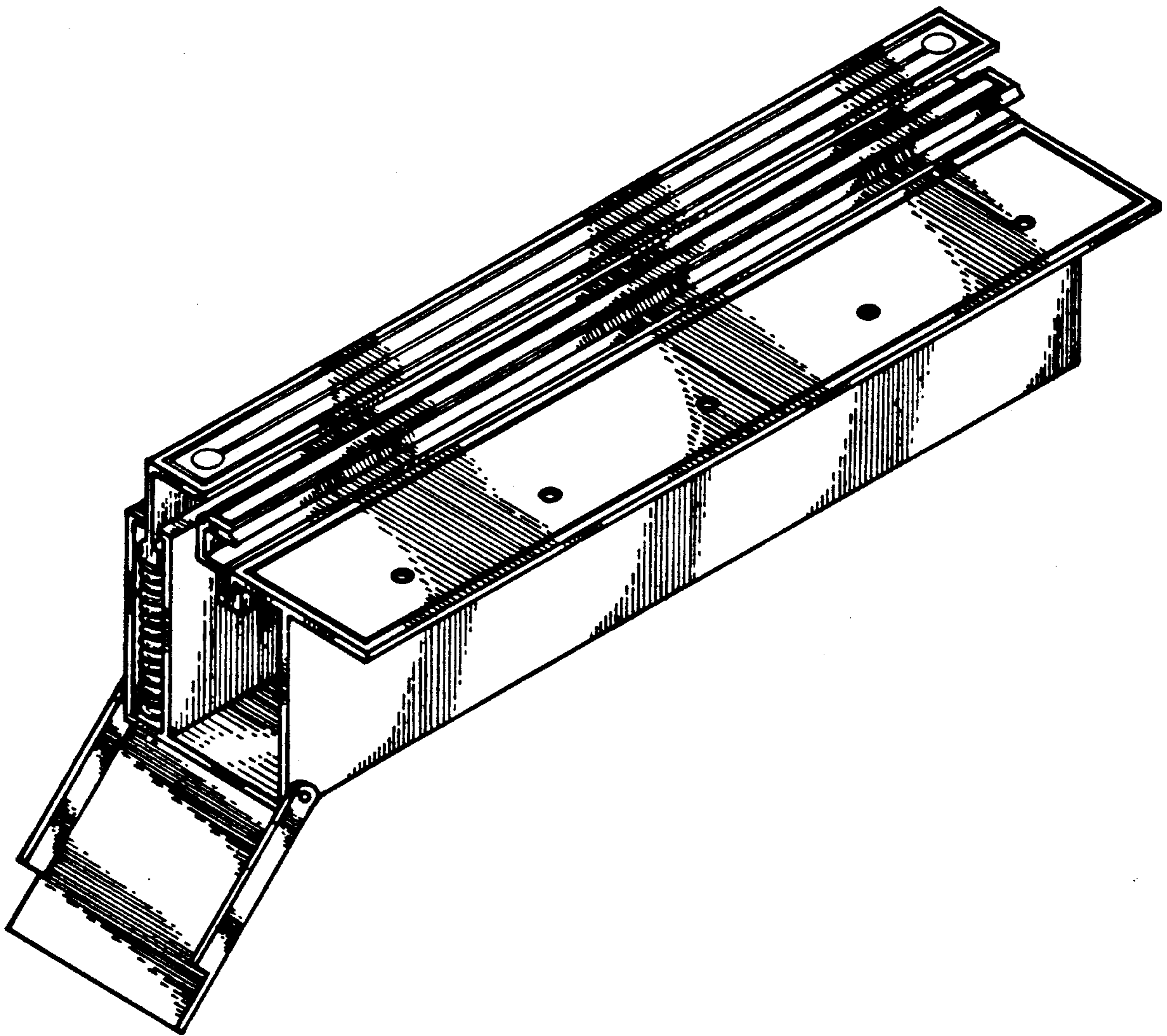
DESCRIPTION

[56] **References Cited**

U.S. PATENT DOCUMENTS

D. 269,237	6/1983	Burdick	D6/495
D. 281,407	11/1985	Gustafsson	D6/495
2,784,973	3/1957	Nemec	108/26
4,155,310	5/1979	Gregory .	
4,747,352	5/1988	Guidry .	

FIG. 1 is a top, end and front perspective view of a desk attached eraser dust catcher showing my new design, with the end being shown in the open condition; FIG. 2 is a front end elevational view thereof; FIG. 3 is a rear end elevational view thereof; FIG. 4 is a side elevational view thereof; FIG. 5 is a side elevational view thereof; FIG. 6 is a top plan view thereof; and, FIG. 7 is a bottom view thereof.



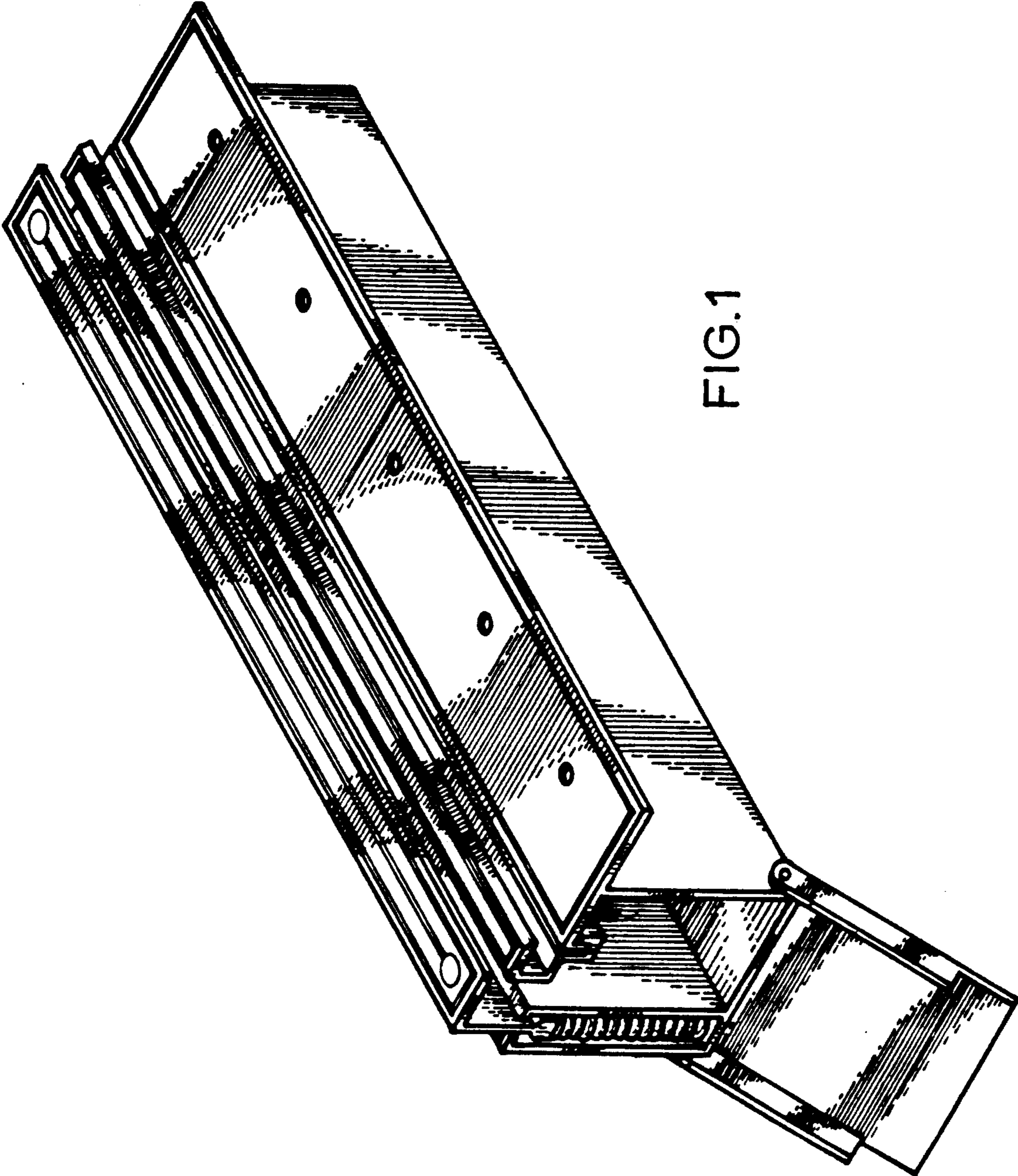


FIG. 1

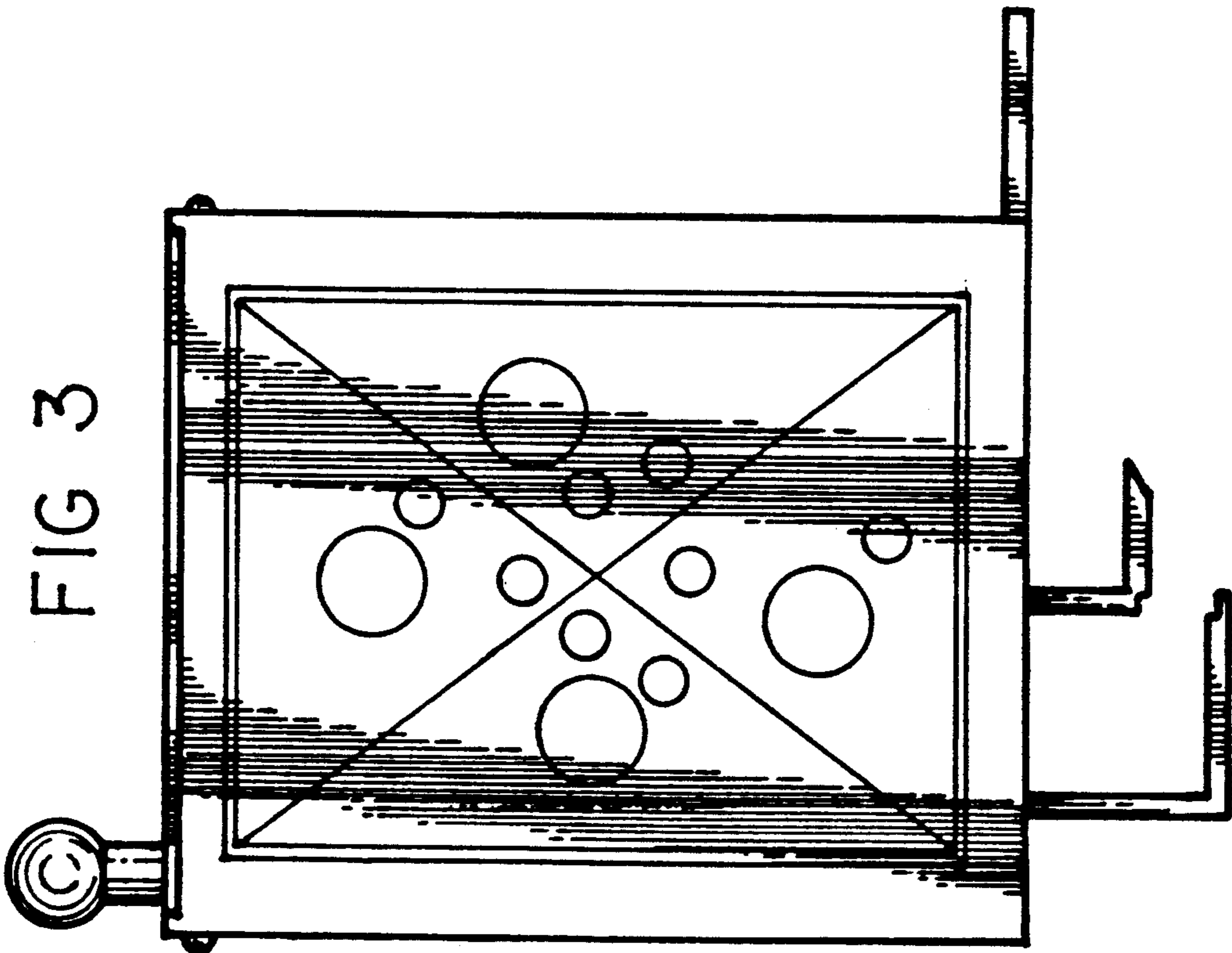
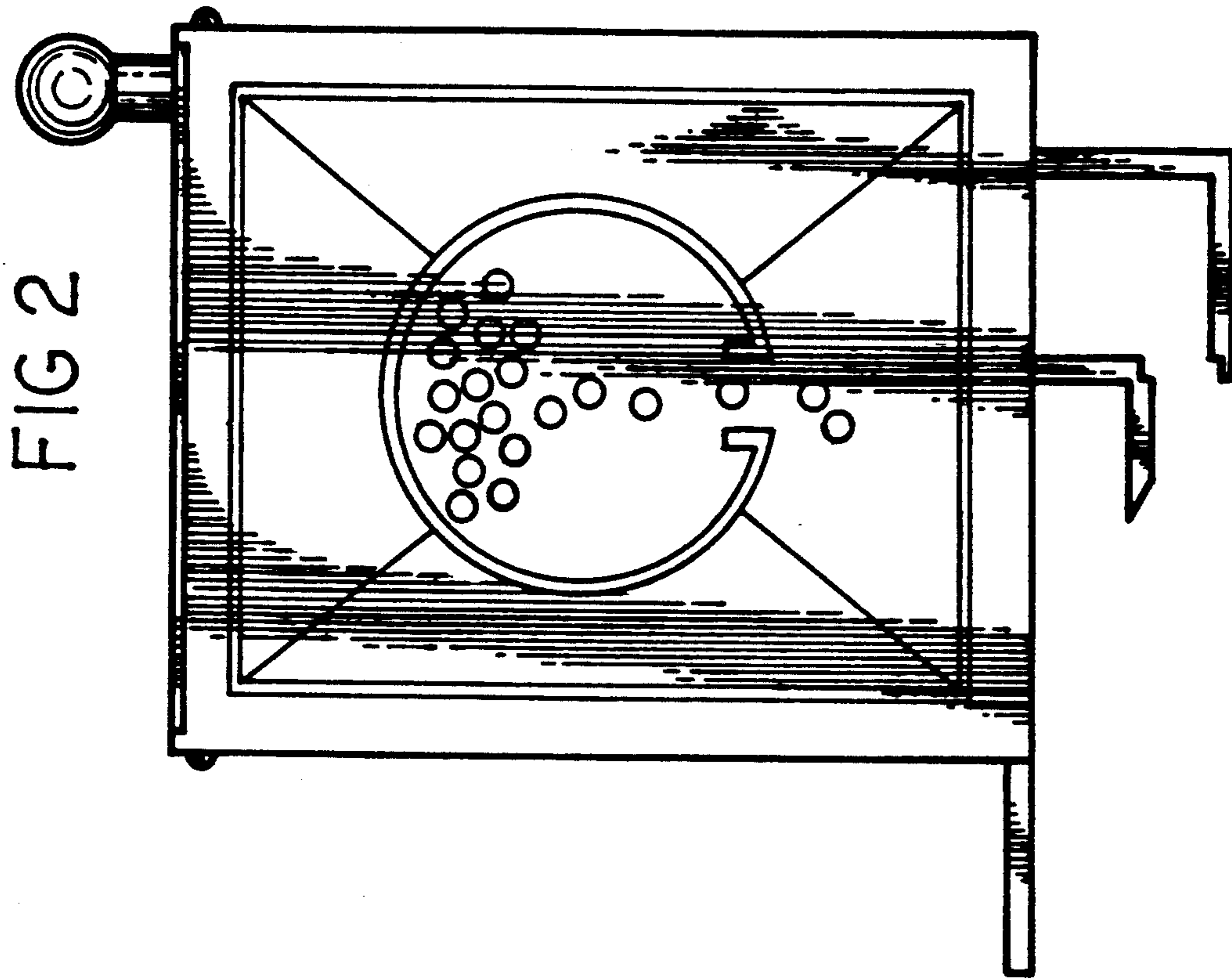


FIG 5

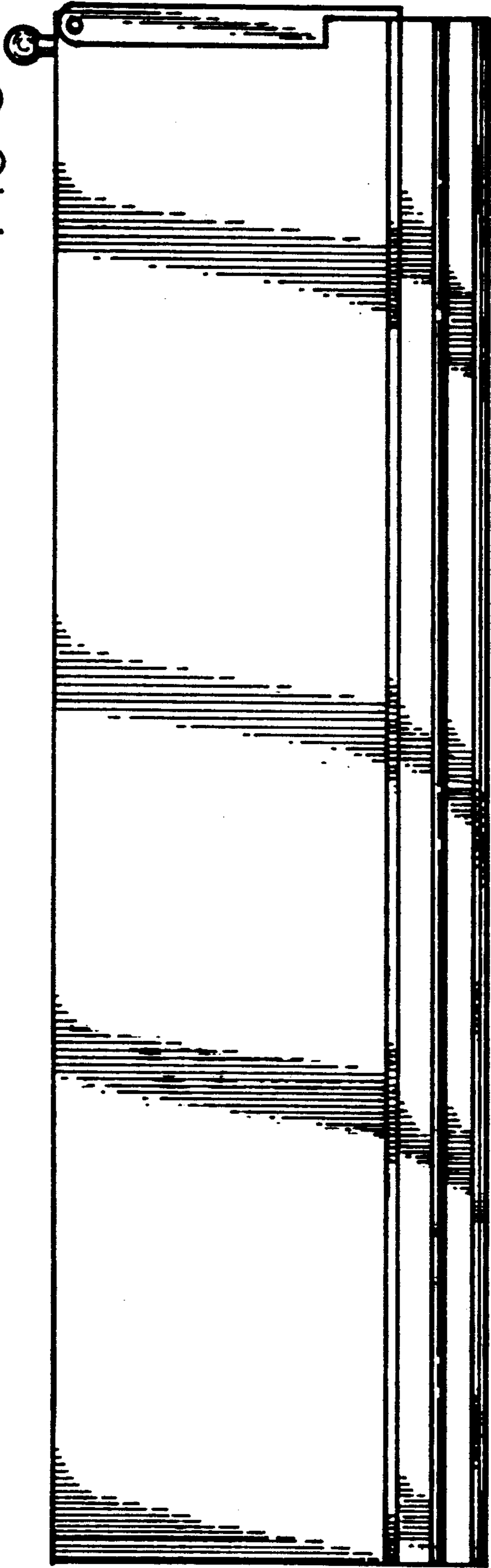


FIG 4

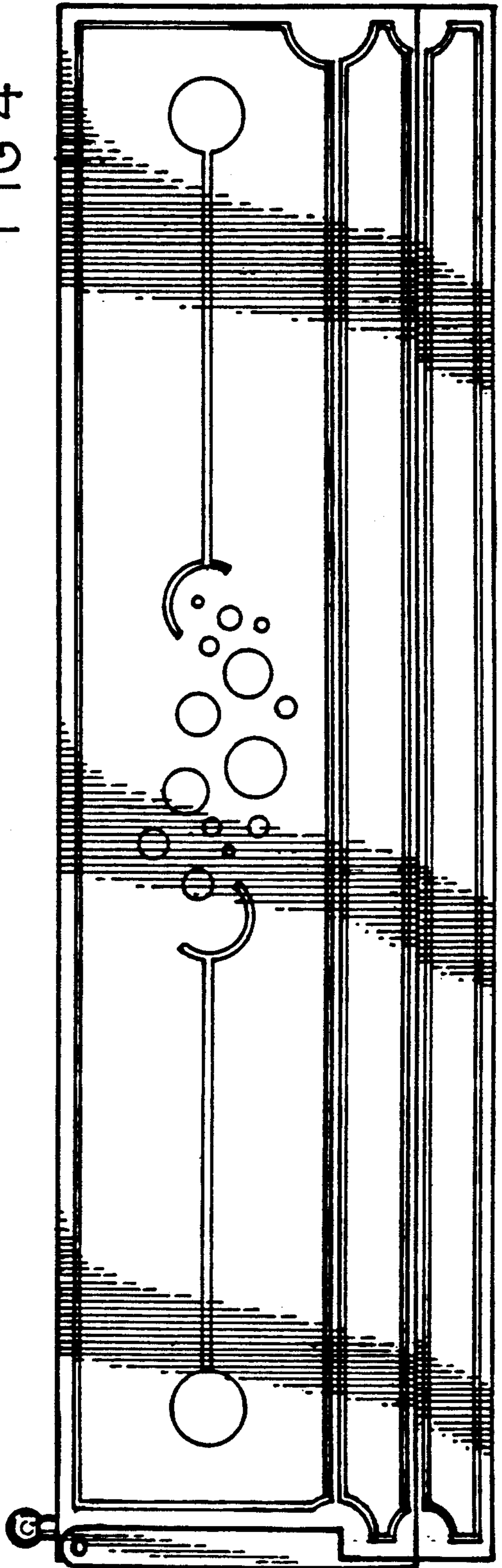


FIG 7

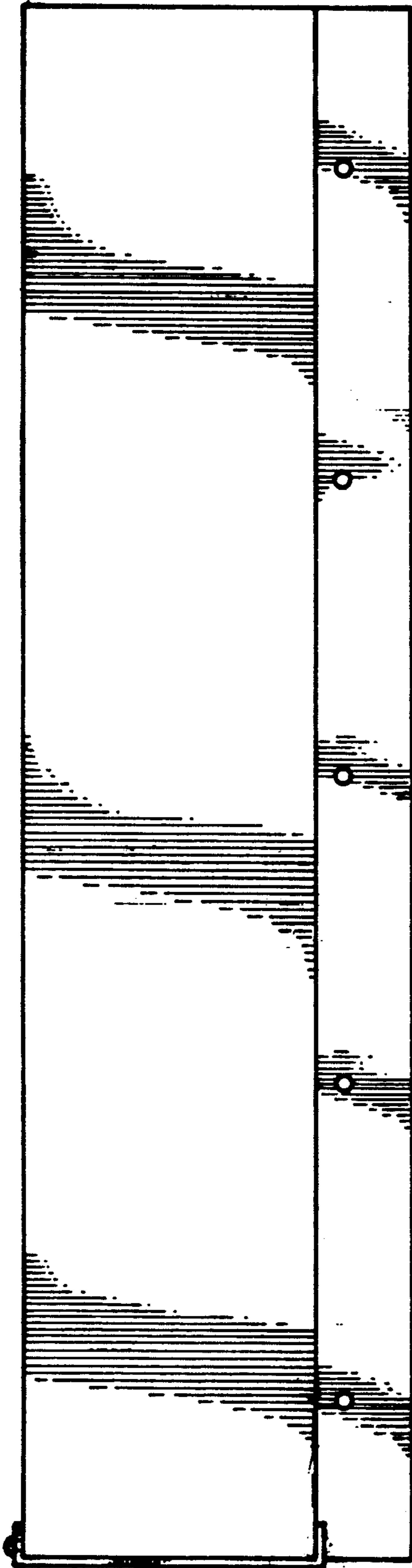


FIG 6

