



US00D344409S

**United States Patent** [19]  
**Meredith**

[11] **Patent Number: Des. 344,409**

[45] **Date of Patent: \*\* Feb. 22, 1994**

[54] **CARRYING CASE**

[76] **Inventor: Clive Meredith, #9 Etive Road,  
Dunbeg Oban, Argyll, PA37 1QF,  
Scotland**

[\*\*] **Term: 14 Years**

[21] **Appl. No.: 893,309**

[22] **Filed: Jun. 8, 1992**

[30] **Foreign Application Priority Data**

Dec. 7, 1991 [GB] United Kingdom ..... 2019445

[52] **U.S. Cl. .... D3/76**

[58] **Field of Search .... D3/99, 77, 41, 30.1,  
D3/71, 74, 76; 190/26, 100, 114, 119, 125, 900;  
150/165, 154, 901, 158; 383/111**

[56] **References Cited**

**U.S. PATENT DOCUMENTS**

D. 254,698 4/1980 Tawil ..... D3/76 X  
D. 316,483 4/1991 Haack ..... D3/76  
1,522,472 1/1925 Aldrich ..... 150/154 X

2,493,182 1/1950 Beder ..... D3/76 X  
2,711,234 6/1955 Rubens ..... 190/26  
3,901,360 8/1975 Cook ..... 190/26  
4,061,259 12/1977 Hurst ..... 190/115 X  
5,083,644 1/1992 Collins, III ..... 190/26  
5,172,795 12/1992 Riceman ..... 190/26

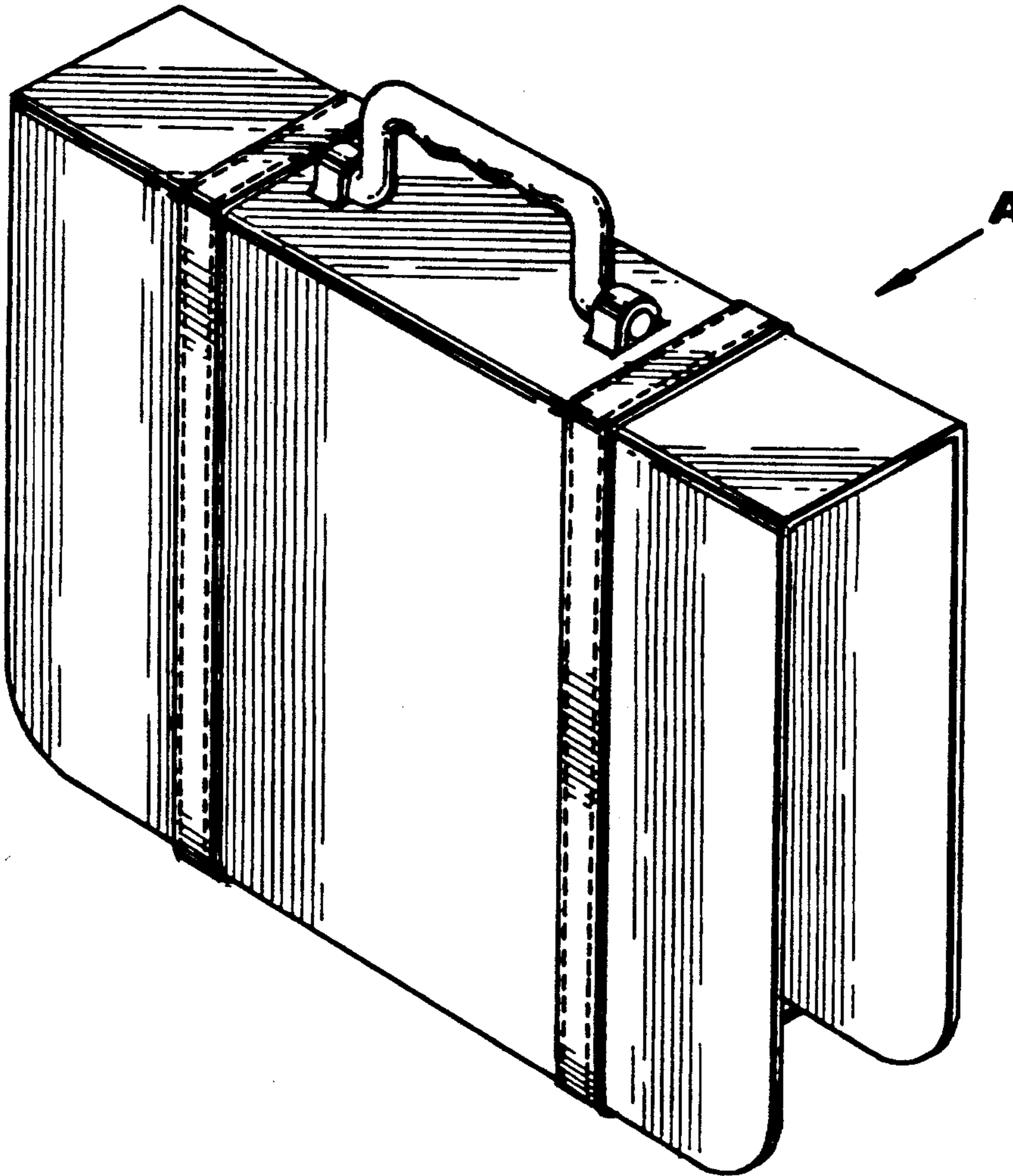
*Primary Examiner—Melvin B. Feifer  
Assistant Examiner—Paula Mortimer  
Attorney, Agent, or Firm—Stevens, Davis, Miller &  
Mosher*

[57] **CLAIM**

The ornamental design for the carrying case, as shown and described.

**DESCRIPTION**

FIG. 1 is a front perspective view of a carrying case showing my new design;  
FIG. 2 is a rear perspective view with the strap in a detached position;  
FIG. 3 is an end elevational view the opposite end is a mirror image;  
FIG. 4 is a bottom plan view thereof; and,  
FIG. 5 is a top plan view.



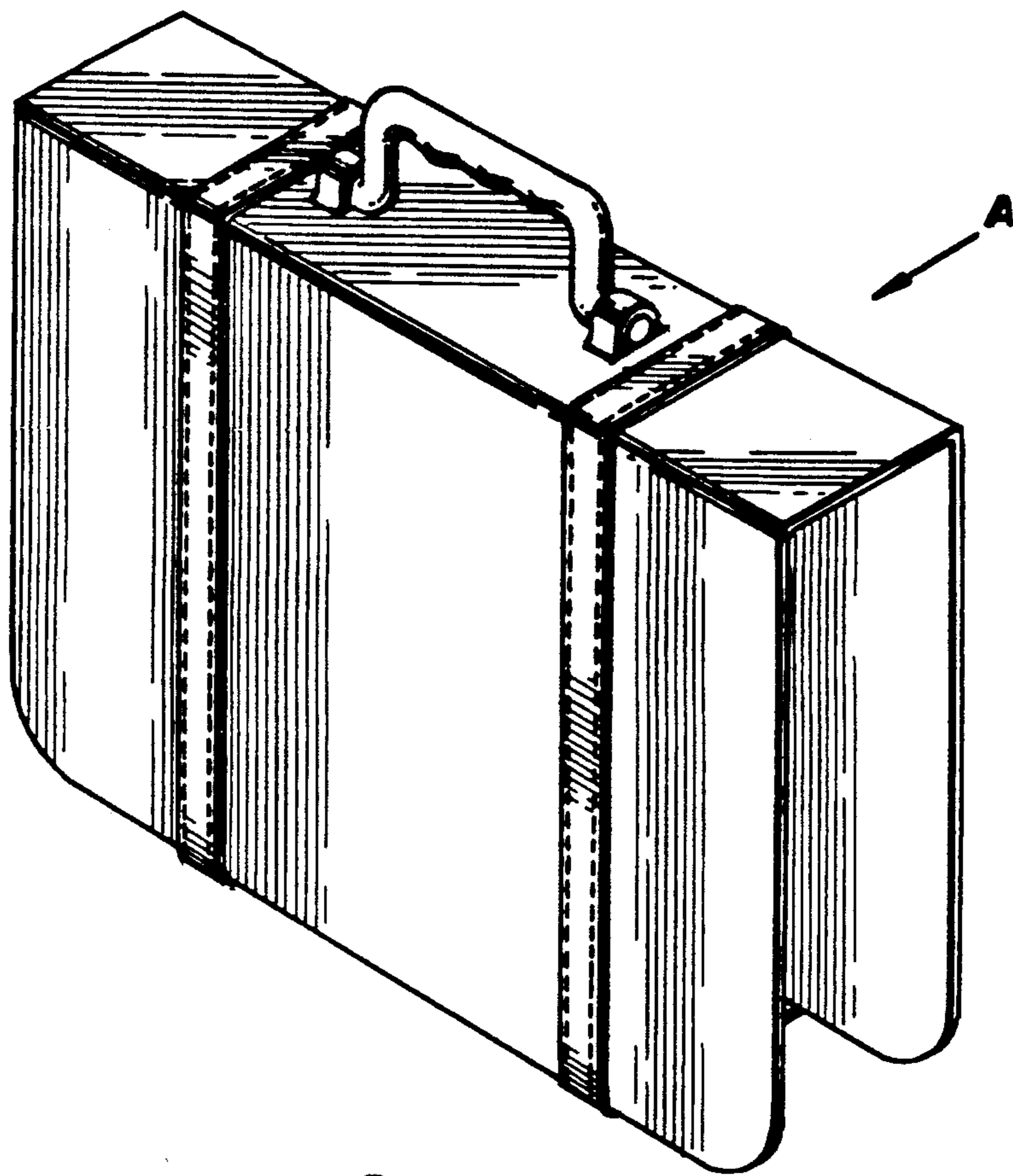


FIG. 1

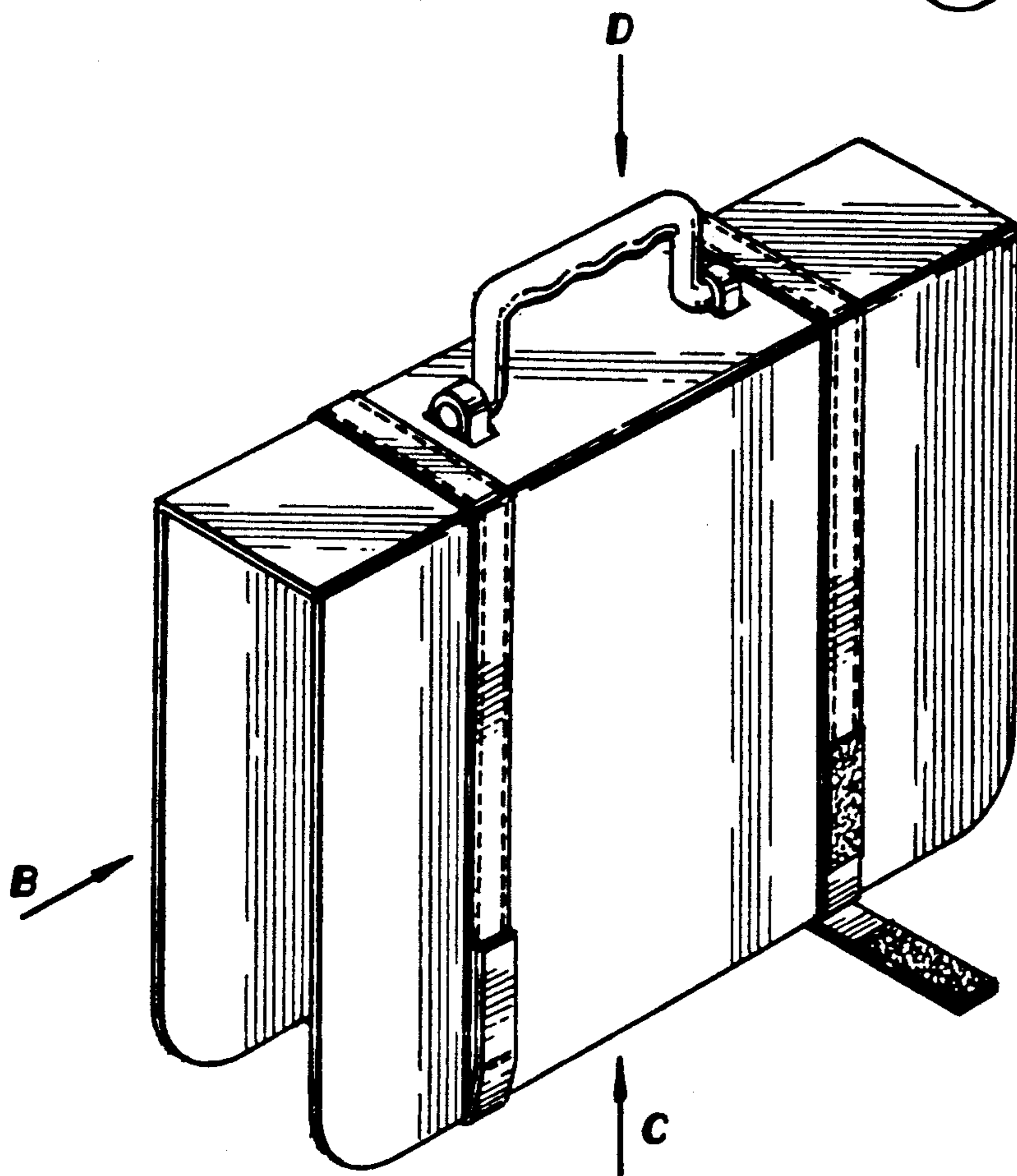
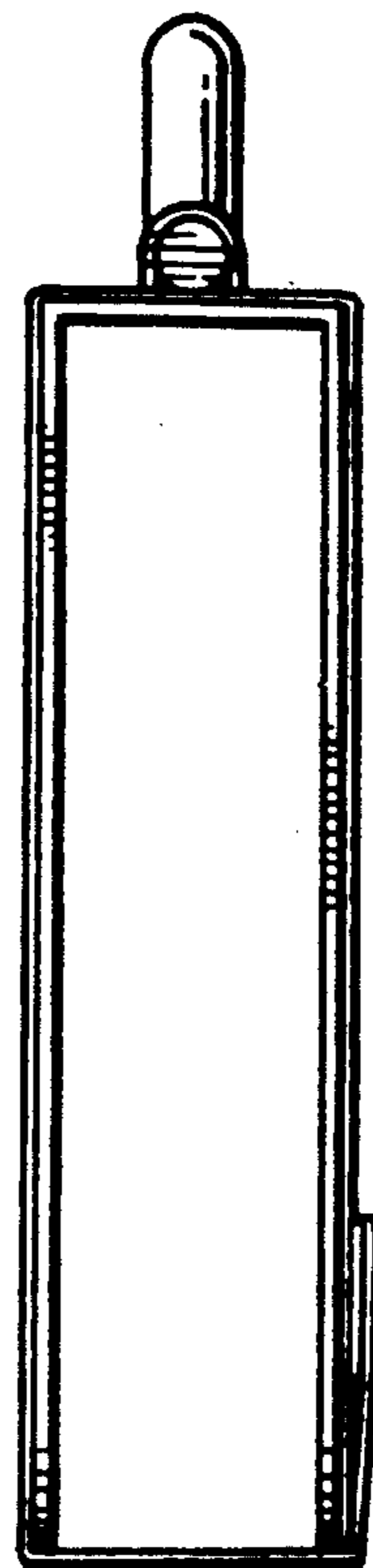
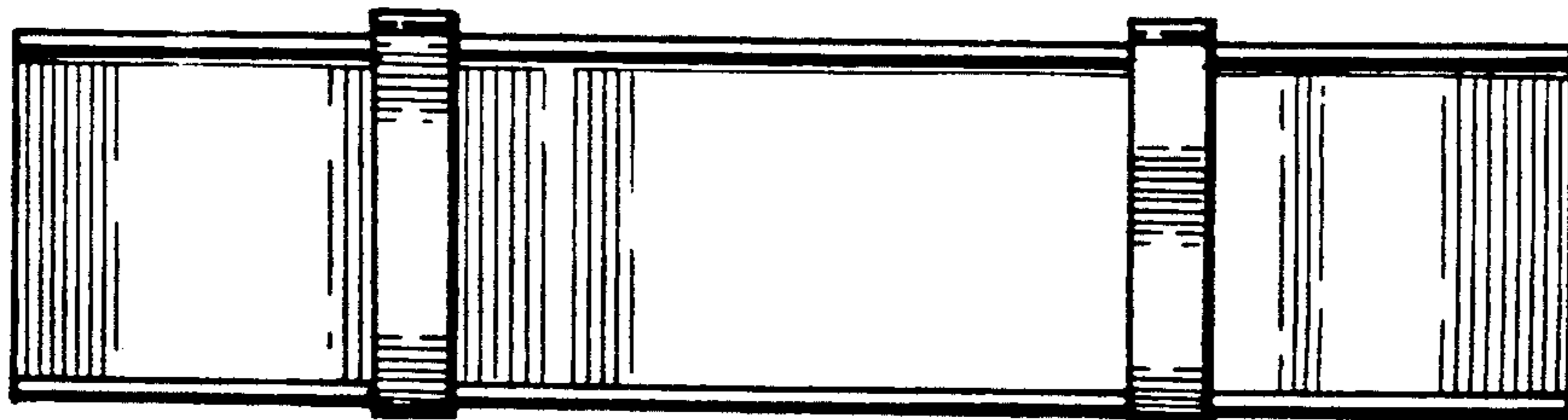


FIG. 2



*FIG. 3*

*FIG. 4*



*FIG. 5*

