



US00D344400S

United States Patent [19]

[11] Patent Number: Des. 344,400

Kilgore

[45] Date of Patent: ** Feb. 22, 1994

[54] HEEL INSERT FOR A SHOE SOLE

[75] Inventor: Bruce J. Kilgore, Lake Oswego, Oreg.

[73] Assignee: Nike, Inc., Beaverton, Oreg.

[**] Term: 14 Years

[21] Appl. No.: 786,887

[22] Filed: Nov. 1, 1991

[52] U.S. Cl. D2/965; D2/964

[58] Field of Search D2/264, 265, 308-314, D2/317-324; 36/1, 3 B, 7.8, 28, 29, 35 R, 35 B, 37, 38, 43, 83, 84, 89, 112-114, 132, 136

[56] References Cited

U.S. PATENT DOCUMENTS

D. 39,747	1/1909	McKenna .	
D. 145,817	10/1946	Payne	D2/324
D. 260,196	8/1981	Plagenhoef	D2/319
D. 261,946	11/1981	Trask	D2/322
D. 296,493	7/1988	Diaz	D2/318
D. 308,285	6/1990	Serna	D2/320
413,693	10/1889	Walker	36/7.8
507,490	10/1893	Gambino	36/28
622,673	4/1899	Ferrata	36/3 B
1,075,039	10/1913	Keith	36/1
2,399,543	4/1946	Dack	D2/324
2,710,460	6/1955	Stasinov	36/28 X
2,985,971	8/1960	Murawski	36/29
3,822,490	7/1974	Murawski	36/35 R
4,223,457	9/1980	Borgeas	36/37 X
4,237,625	12/1980	Cole et al	36/28

(List continued on next page.)

FOREIGN PATENT DOCUMENTS

946494	6/1949	France	36/7.8
1227420	8/1960	France .	
1526637A1	12/1989	U.S.S.R. .	

Primary Examiner—Louis S. Zarfes
Attorney, Agent, or Firm—Banner, Birch, McKie & Beckett

[57] CLAIM

The ornamental design for a heel insert for a shoe sole, as shown and described.

DESCRIPTION

FIG. 1 is an elevational view of one side of a heel insert for a shoe sole showing my new design;

FIG. 2 is an elevational view of the other side thereof;

FIG. 3 is a top plan view thereof;

FIG. 4 is a rear elevational view thereof;

FIG. 5 is a cross sectional view taken along line 5—5 of FIG. 1;

FIG. 6 is a cross sectional view taken along line 6—6 of FIG. 1;

FIG. 7 is an elevational view of one side of a second embodiment of a heel insert for a shoe sole showing my new design;

FIG. 8 is an elevational view of the other side of the second embodiment;

FIG. 9 is a top plan view of the second embodiment;

FIG. 10 is a rear elevational view of the second embodiment;

FIG. 11 is a cross sectional view taken along line 11—11 of FIG. 7;

FIG. 12 is a cross sectional view taken along line 12—12 of FIG. 7;

FIG. 13 is an elevational view of one side of a third embodiment of a heel insert for a shoe sole showing my new design;

FIG. 14 is an elevational view of the other side of the third embodiment;

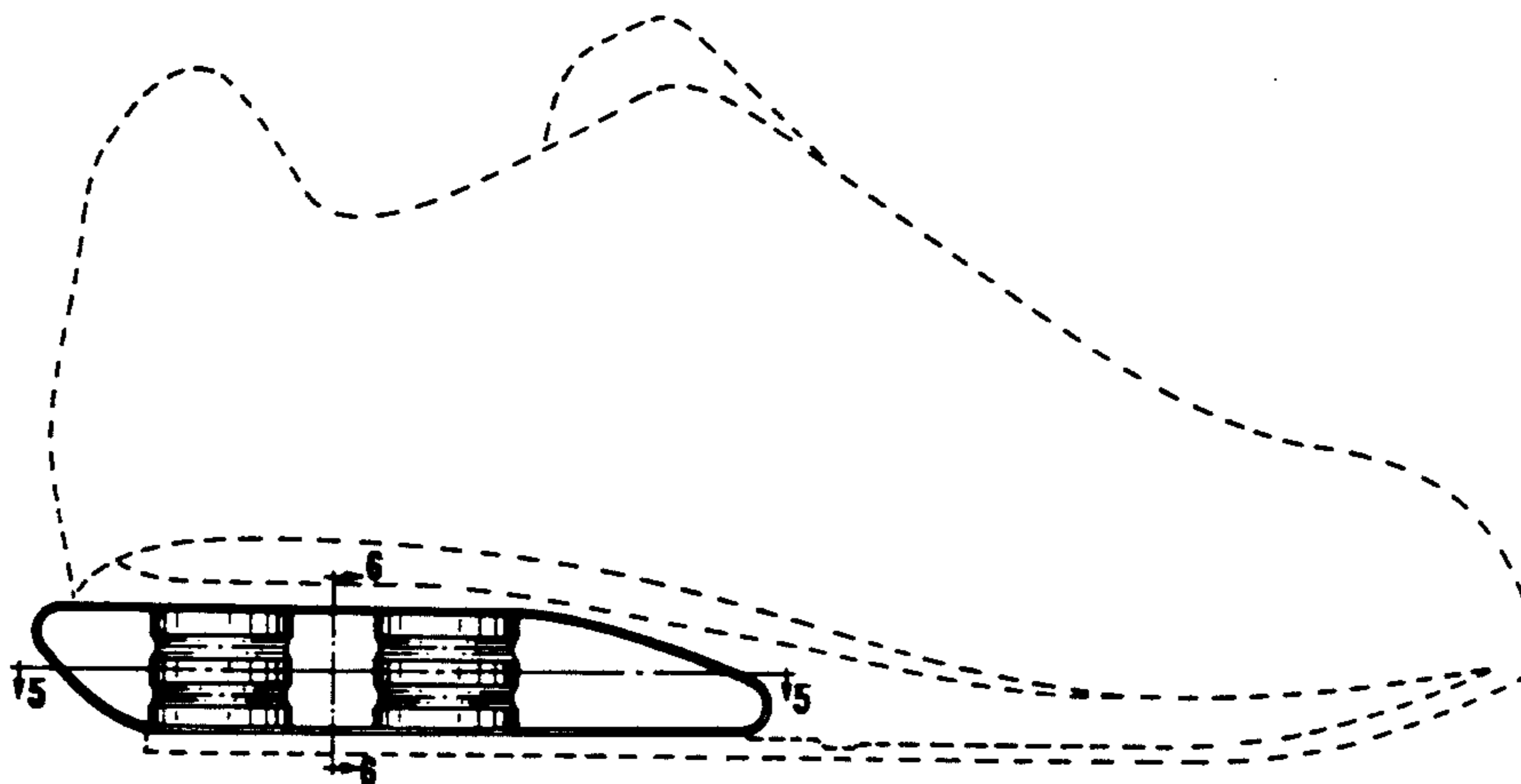
FIG. 15 is a top plan view of the third embodiment;

FIG. 16 is a rear elevational view of the third embodiment;

FIG. 17 is a cross sectional view taken through line 17—17 of FIG. 13; and

FIG. 18 is a cross sectional view taken through line 18—18 of FIG. 13.

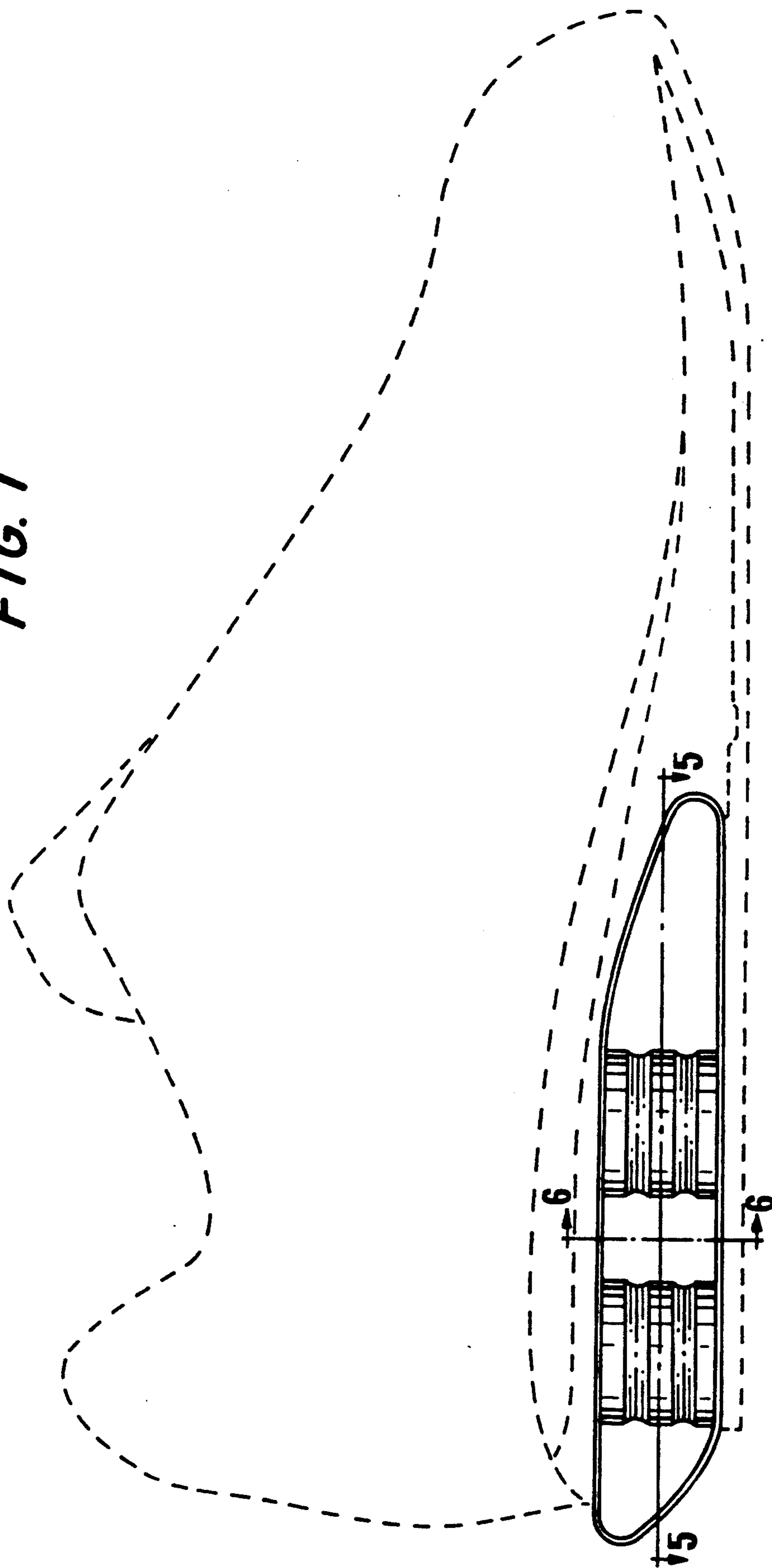
The broken line showing of the remaining portions of the shoe sole and upper is for illustrative purposes only and forms no part of the claimed design.



U.S. PATENT DOCUMENTS

4,262,433	4/1981	Hagg et al.	36/35 B	4,715,130	12/1987	Scatena	36/28 X
4,322,892	4/1982	Inohora	36/29	4,722,131	2/1988	Huang	.
4,392,666	7/1983	Ramer	36/38 X	4,815,221	3/1989	Diaz	36/28 X
4,438,573	3/1984	McBarron	36/313	4,817,304	4/1989	Parker et al.	36/114
4,535,553	8/1985	Derderian et al.	36/28	4,843,741	7/1989	Yung-Mao	36/114
4,573,279	3/1986	Feurer-Zogel et al.	36/35 R	4,878,300	11/1989	Bogaty	36/28 X
4,611,412	9/1986	Cohen	36/28	4,881,329	11/1989	Crowley	36/38
4,616,431	10/1986	Dassler	36/28	4,887,367	12/1989	Mackness et al.	36/28
4,660,299	4/1987	Omilusik	36/7.8	4,918,838	4/1990	Chang	36/28
4,663,865	5/1987	Telecemian	36/114	4,918,841	4/1990	Turner et al.	36/114
4,680,875	7/1987	Danieli	36/28 x	4,936,029	6/1990	Rudy	36/29
4,680,876	7/1987	Peng	36/35 B	4,956,927	9/1990	Misevich et al.	36/28 X
				5,014,449	5/1991	Richard et al.	36/114

FIG. 1



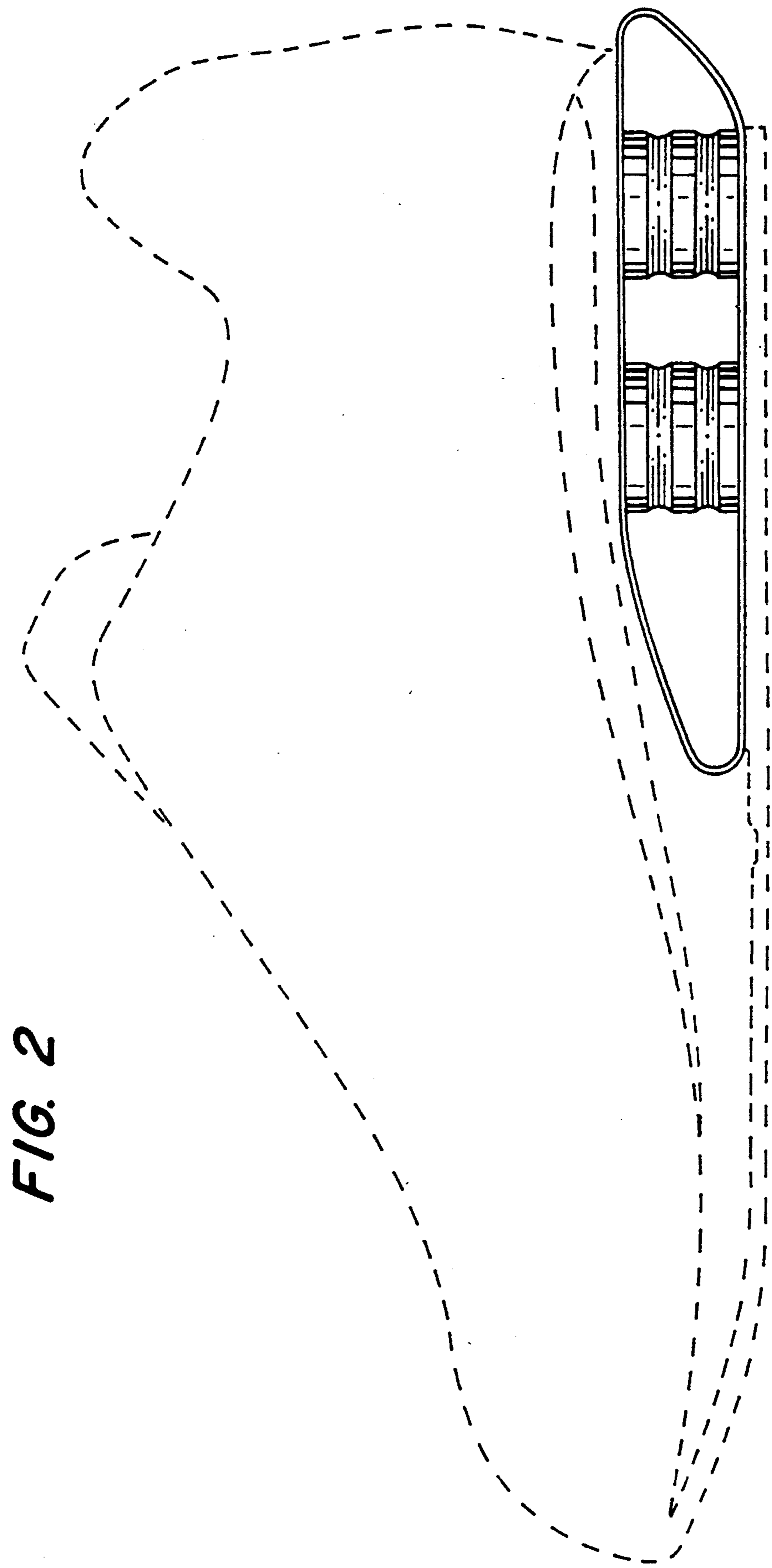


FIG. 2

FIG. 3

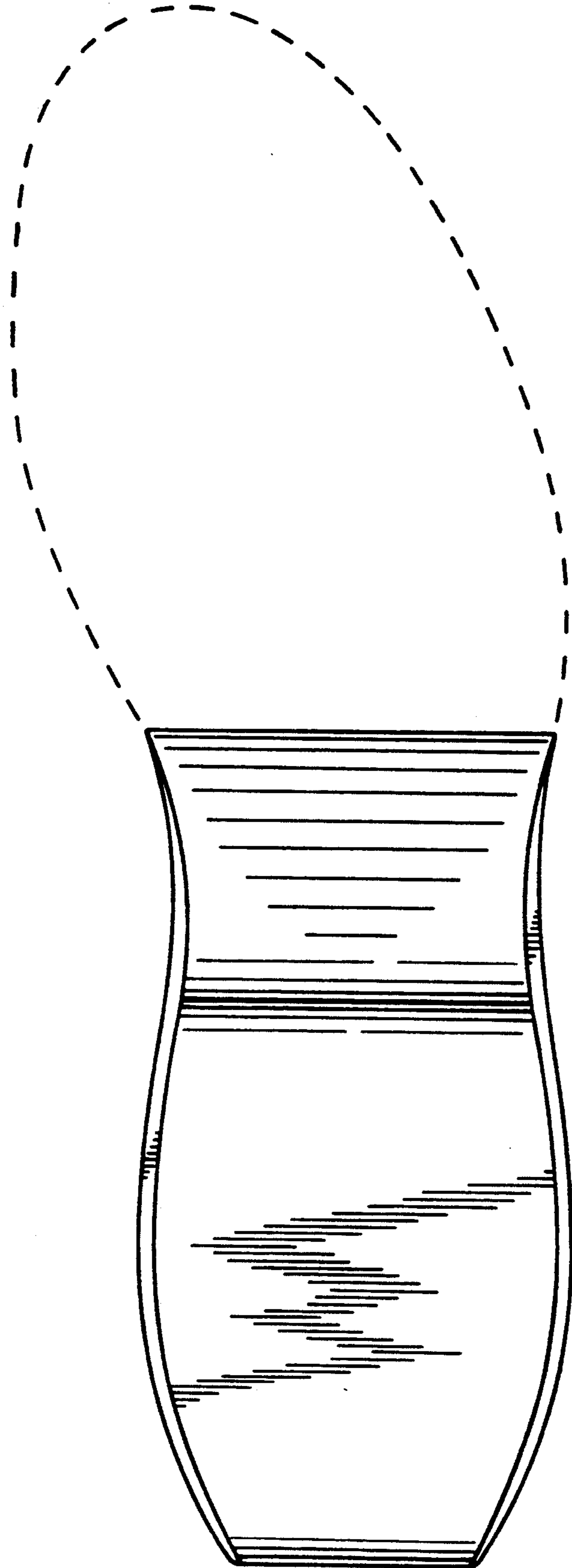


FIG. 5

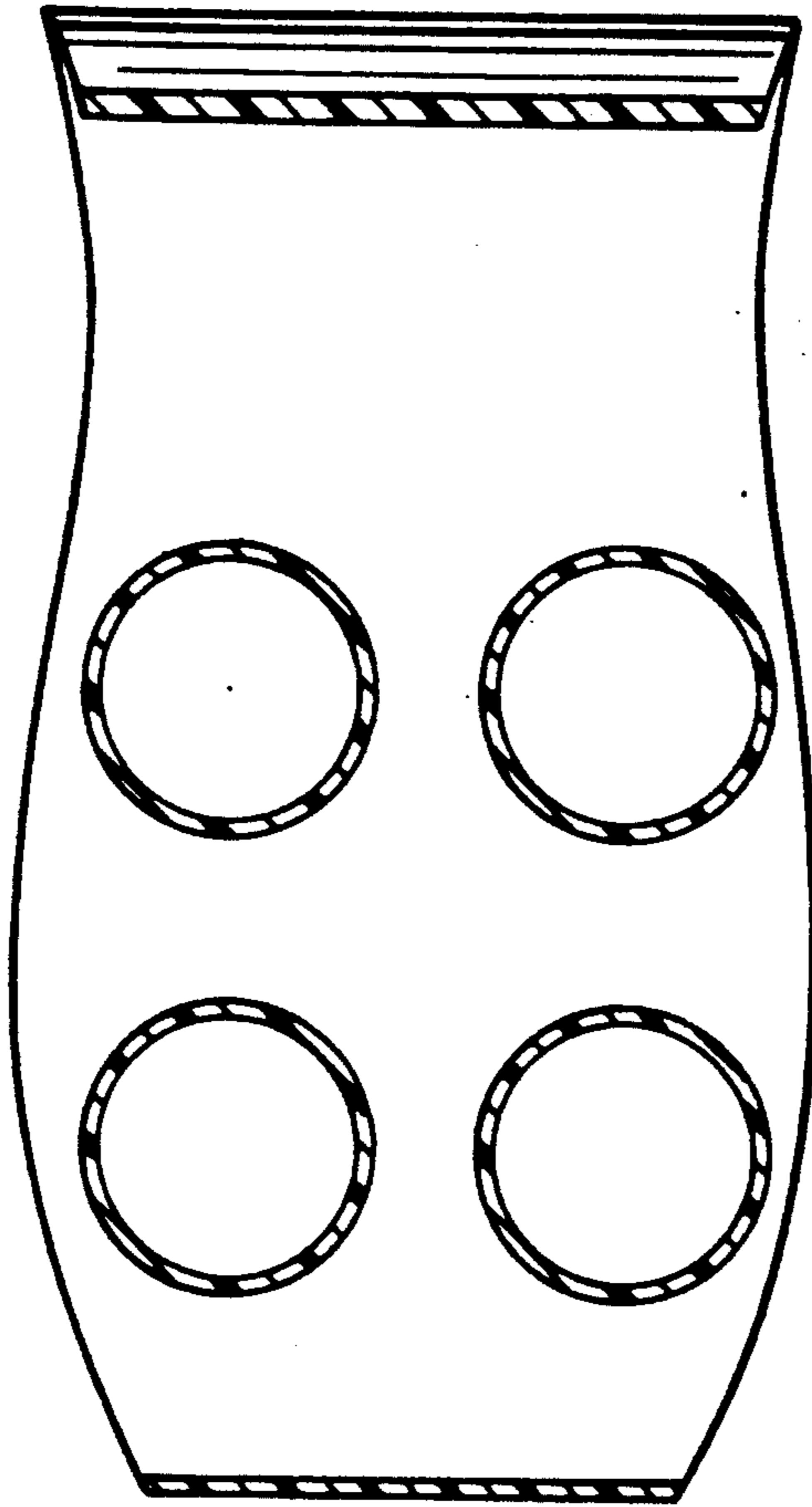


FIG. 6

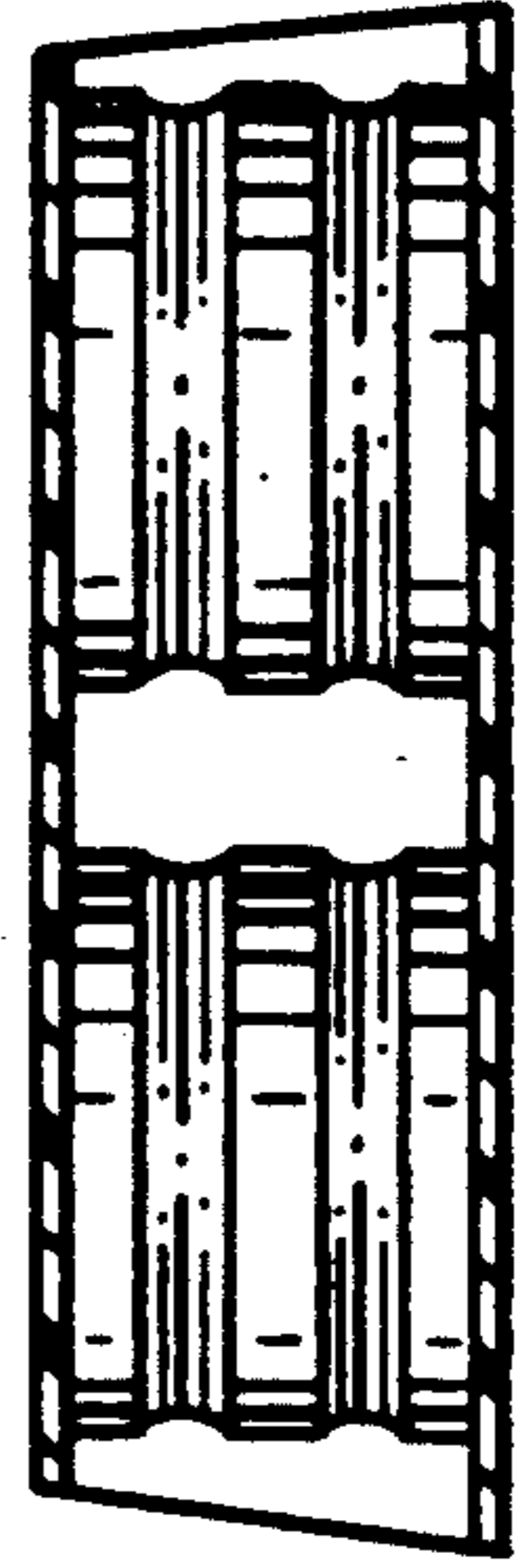


FIG. 4

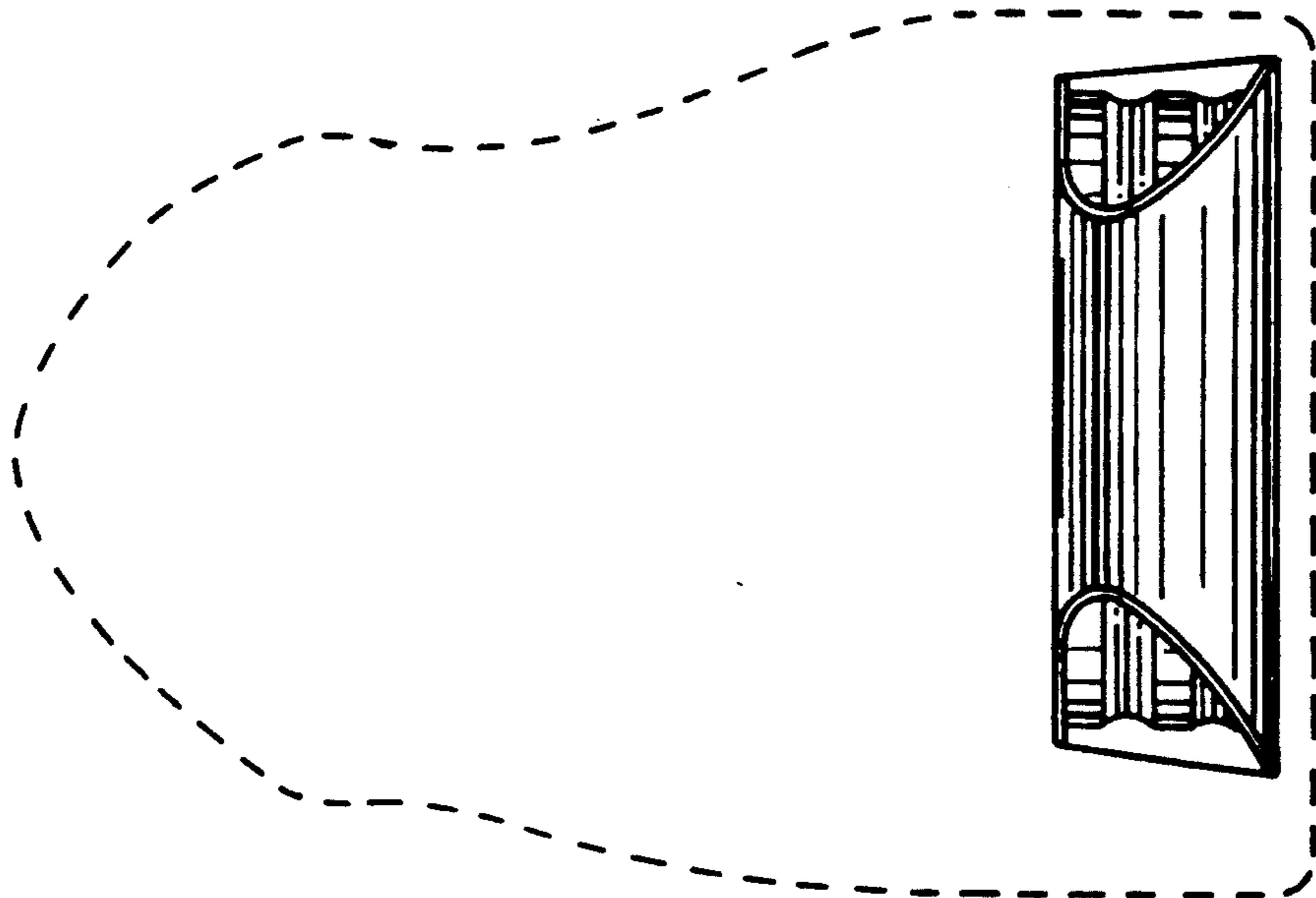
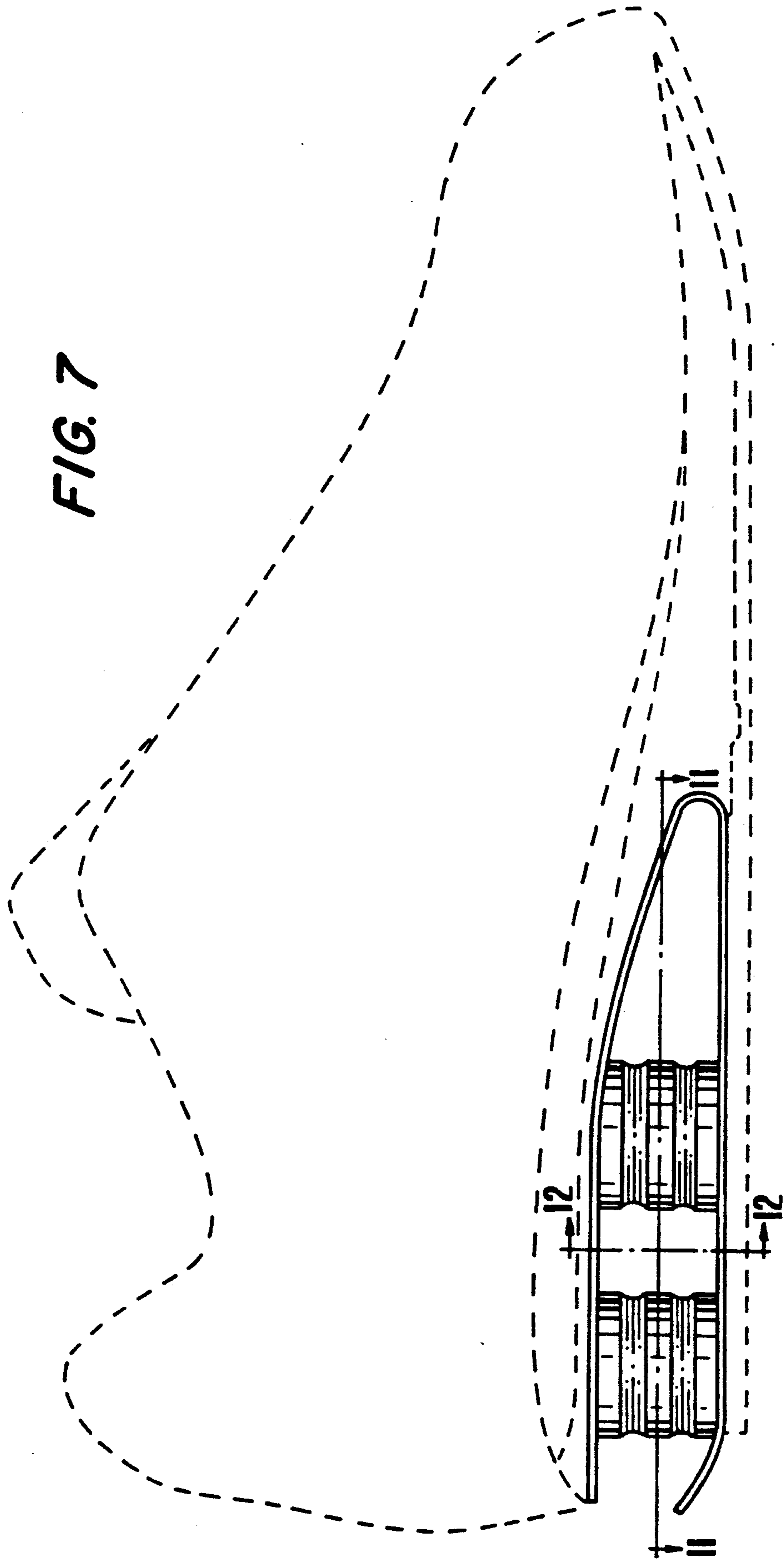


FIG. 7



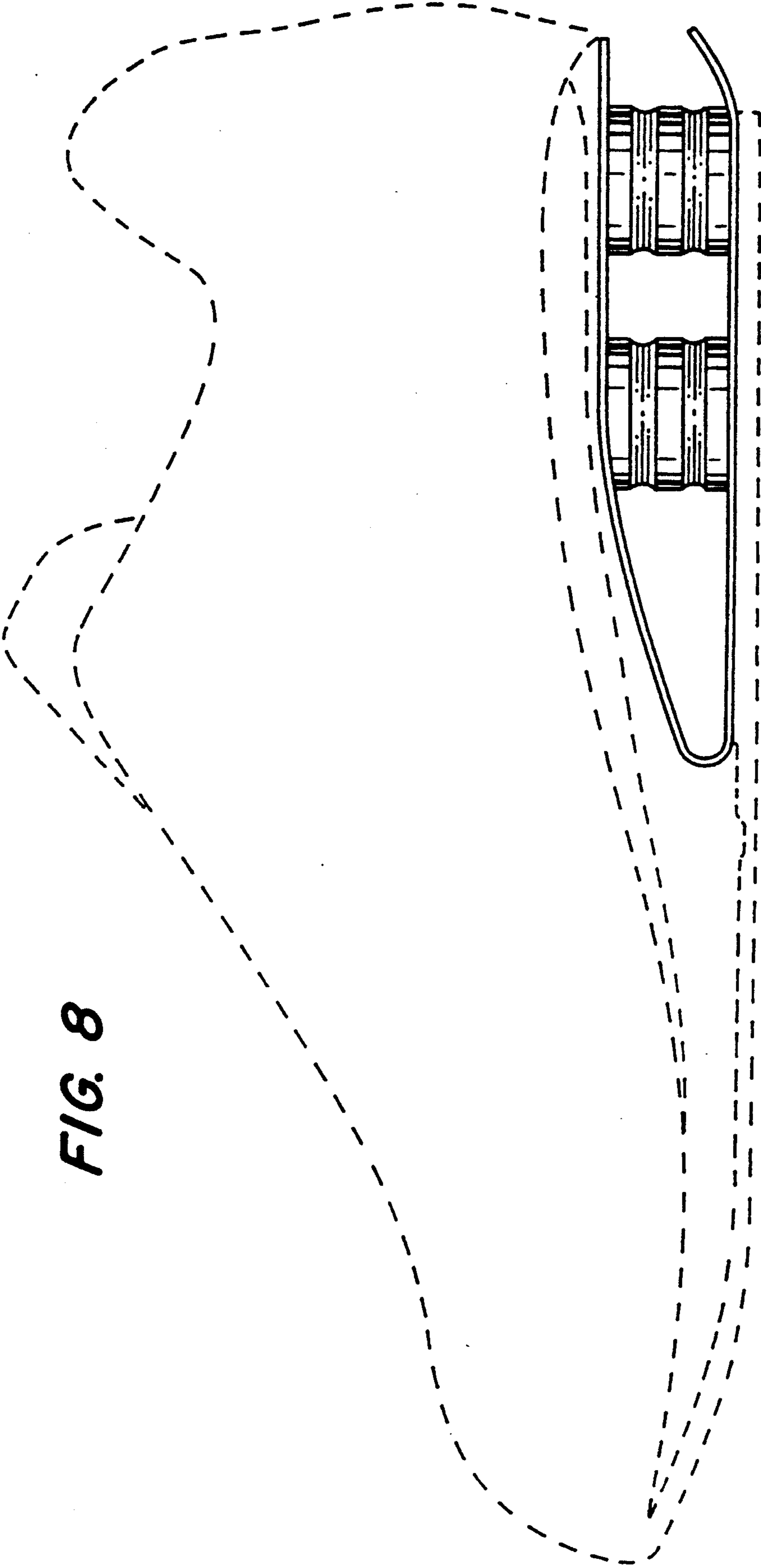


FIG. 8

FIG. 9

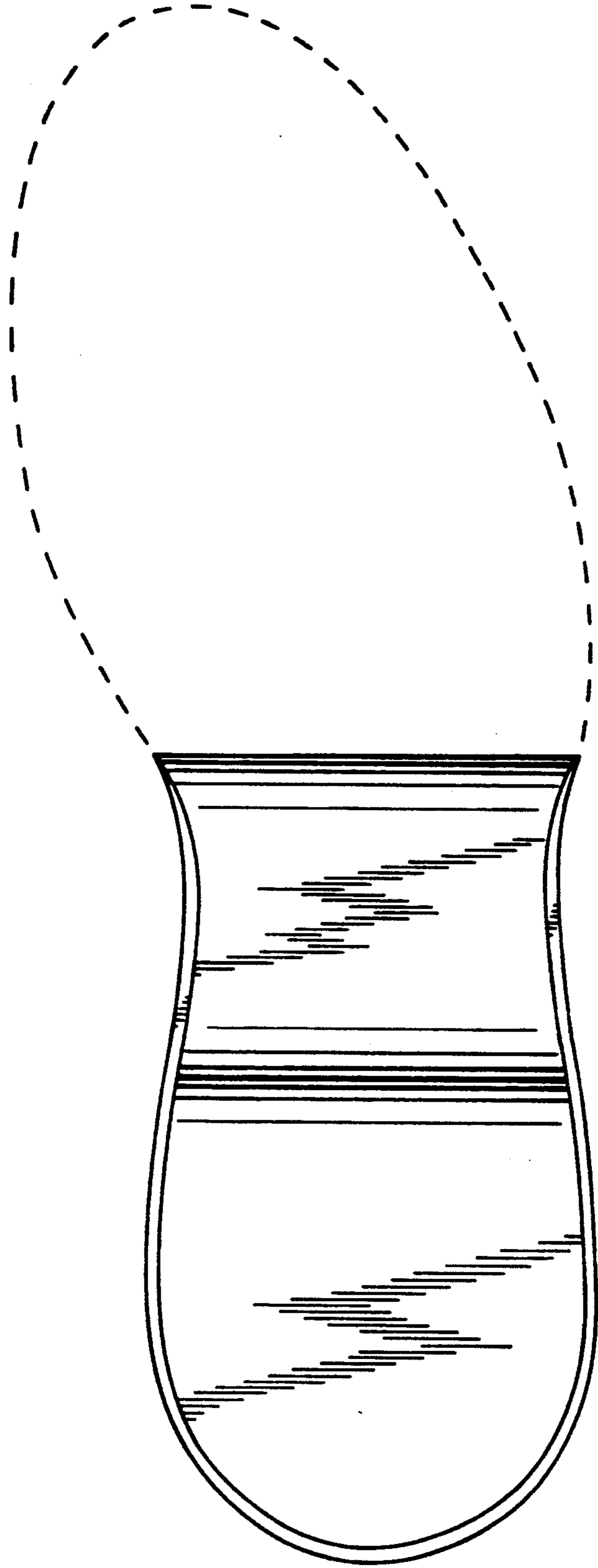


FIG. 11

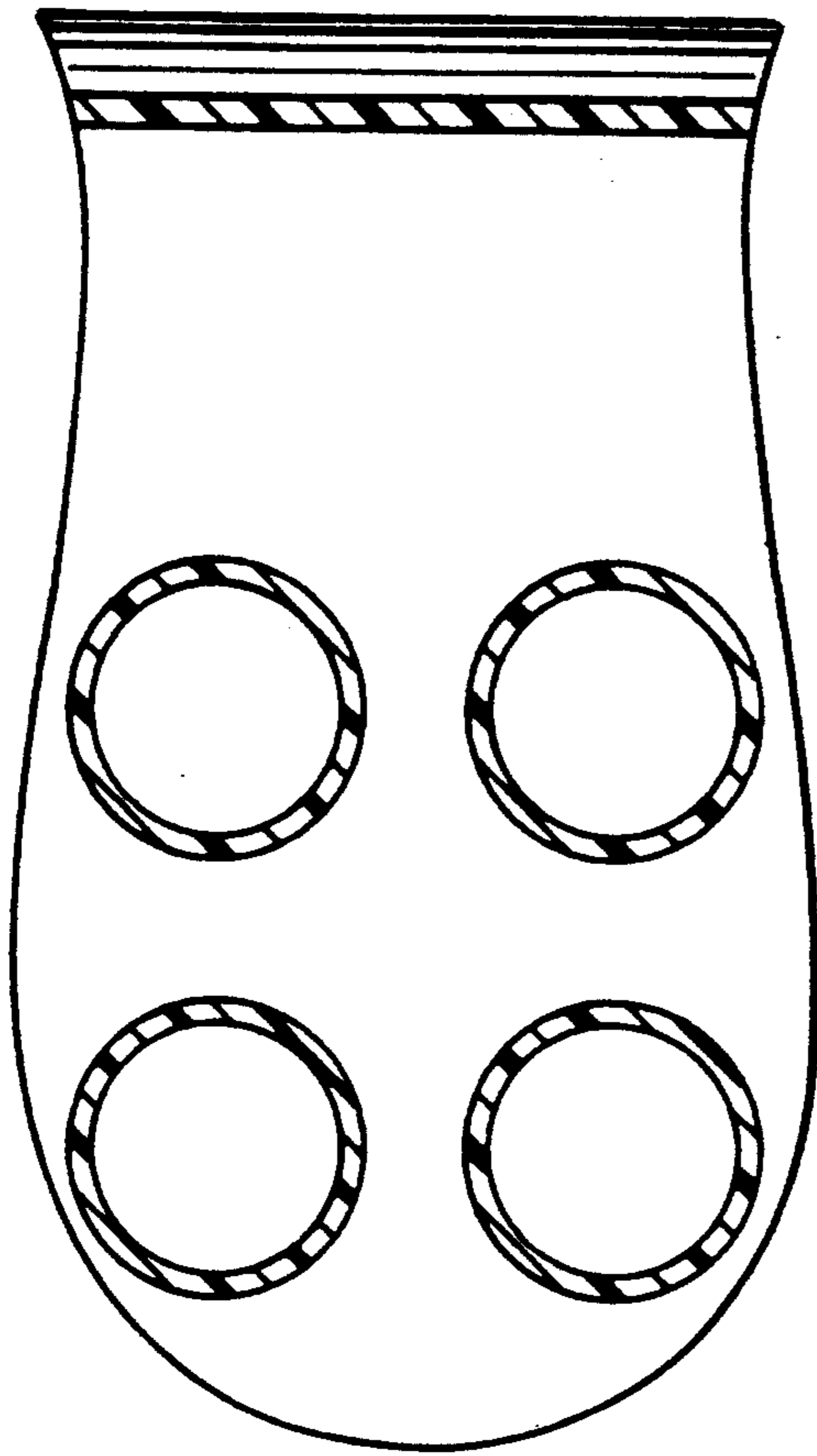


FIG. 12

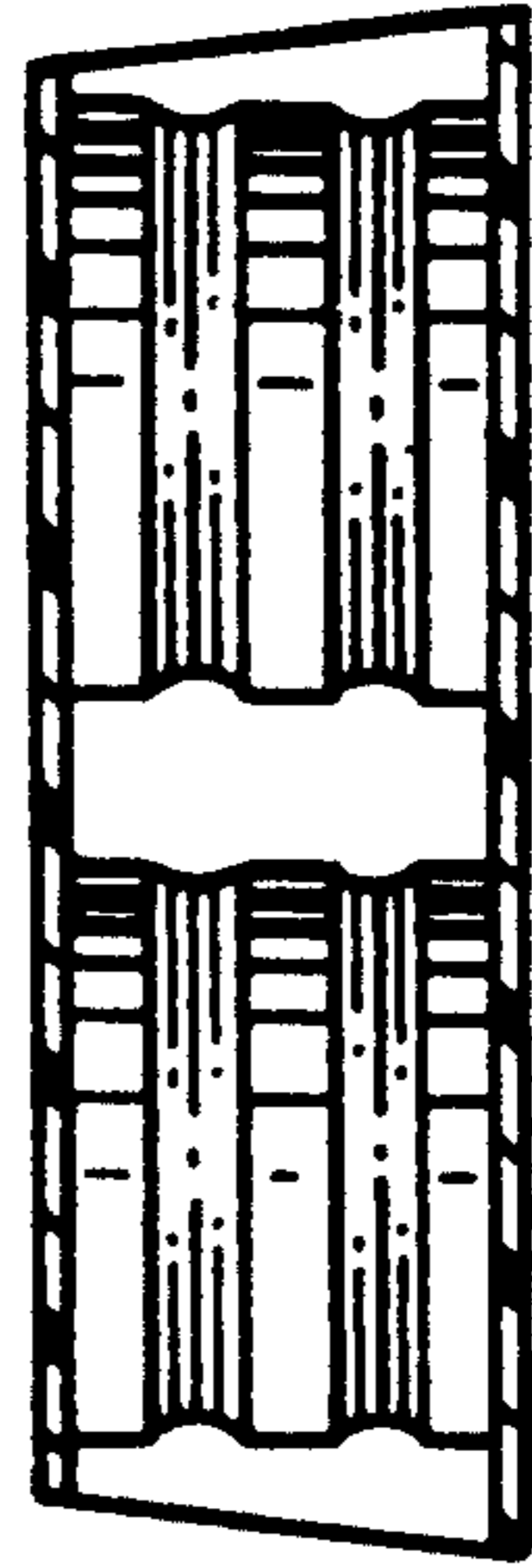


FIG. 10

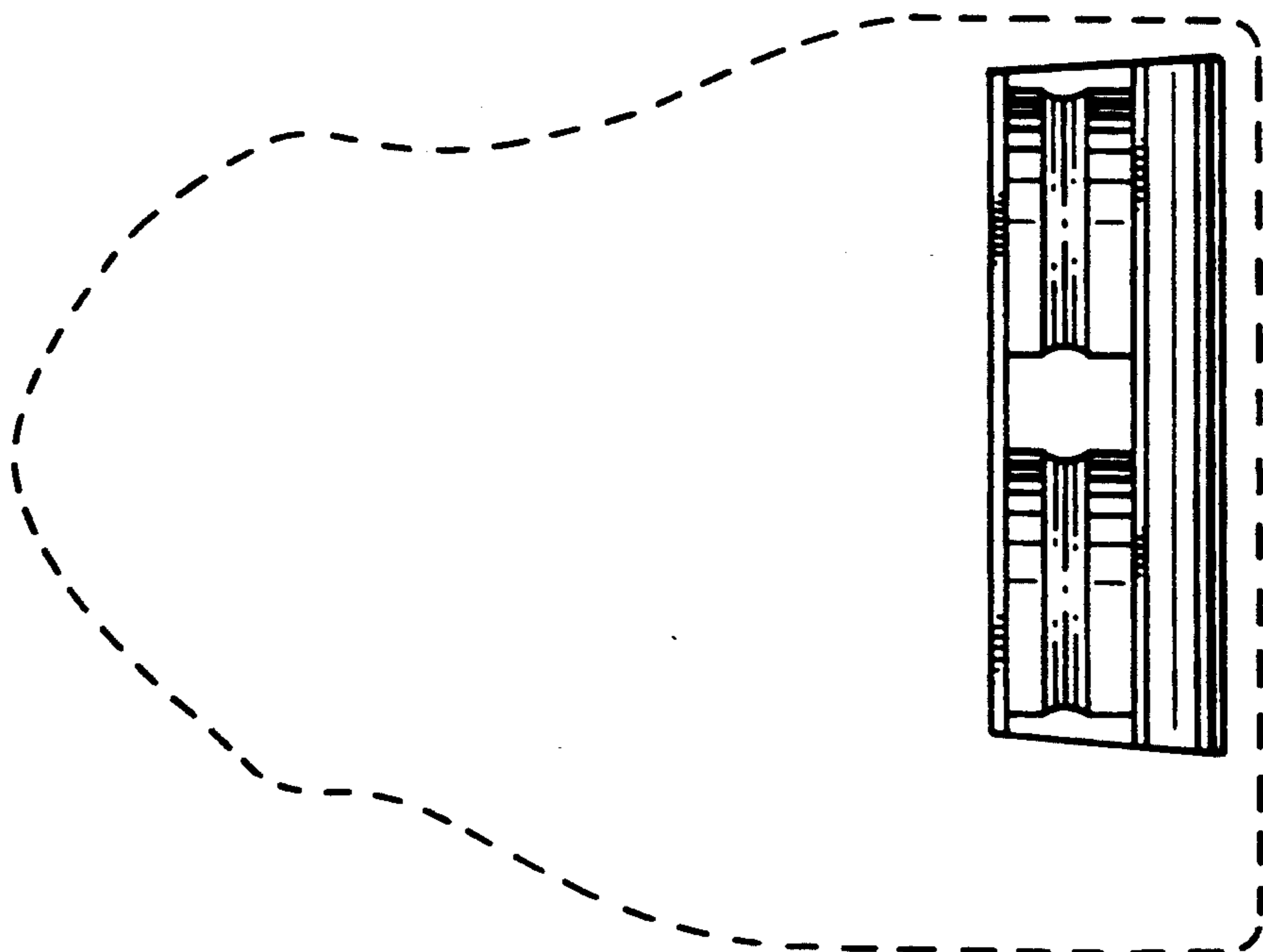
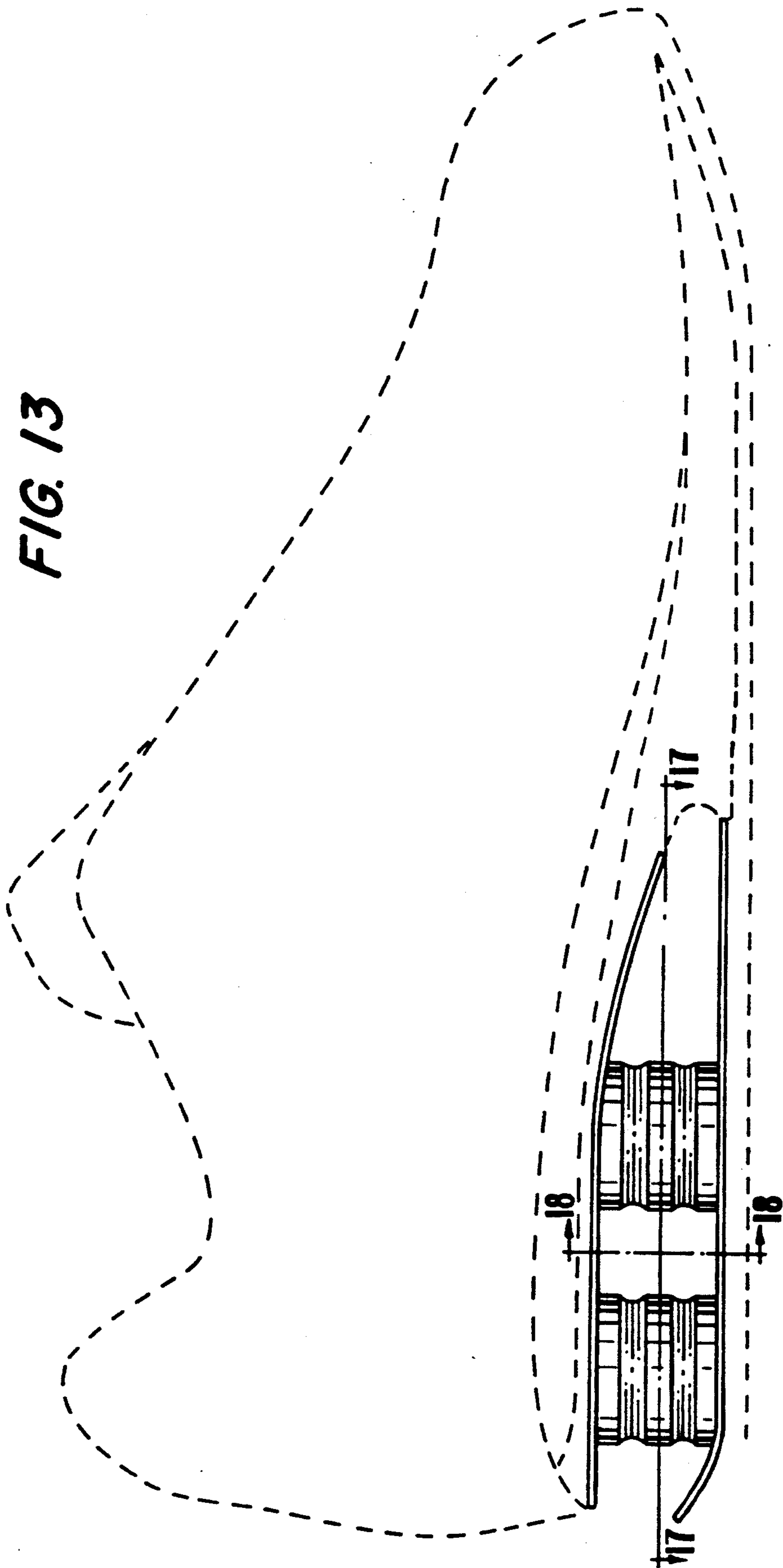


FIG. 13



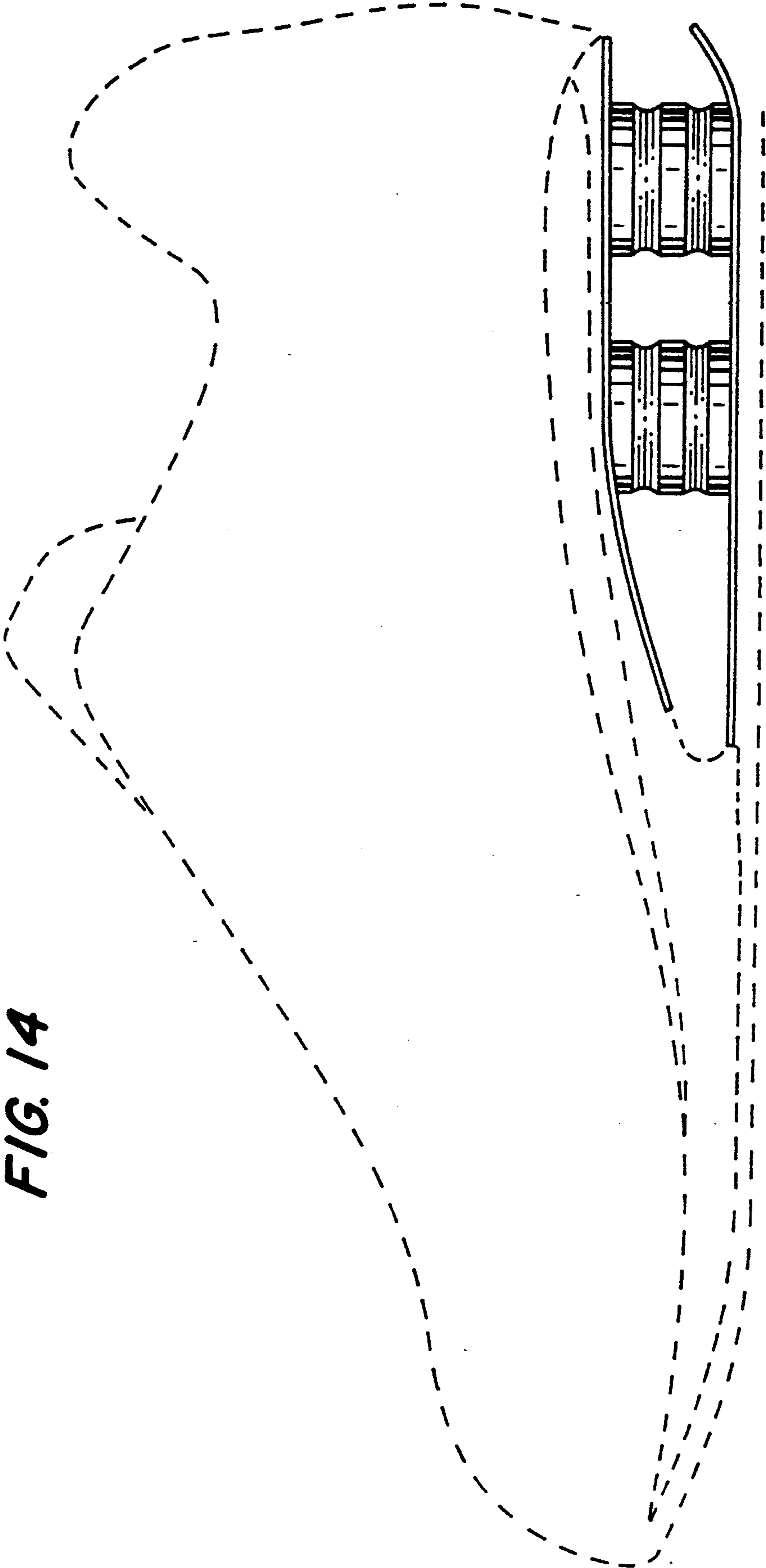


FIG. 14

FIG. 15

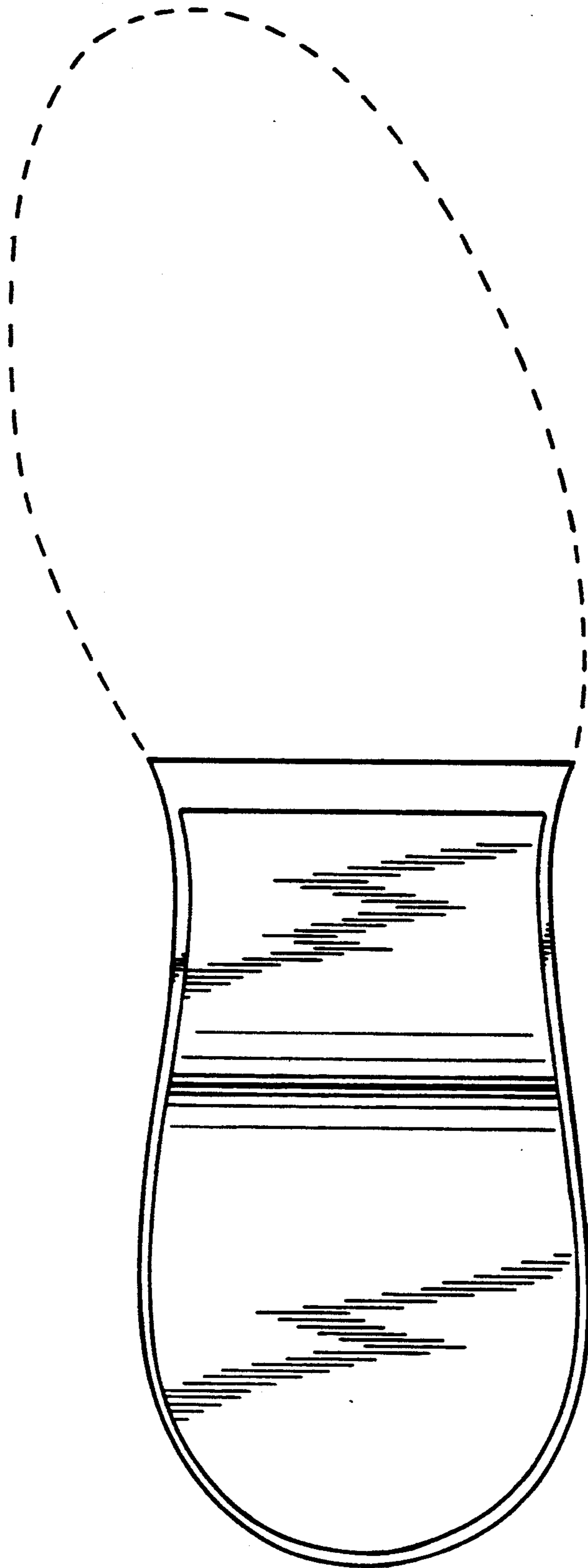


FIG. 17

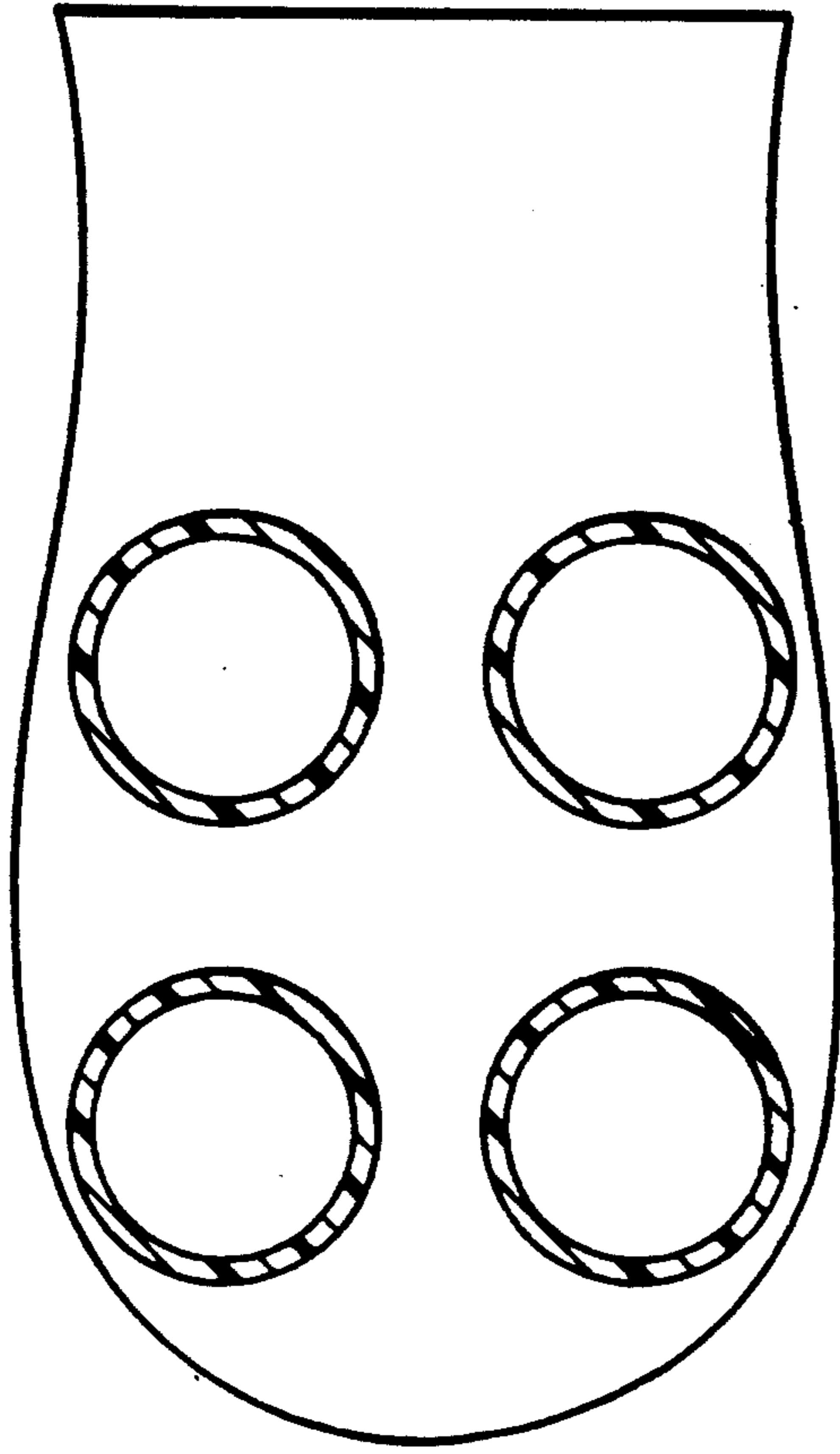


FIG. 18

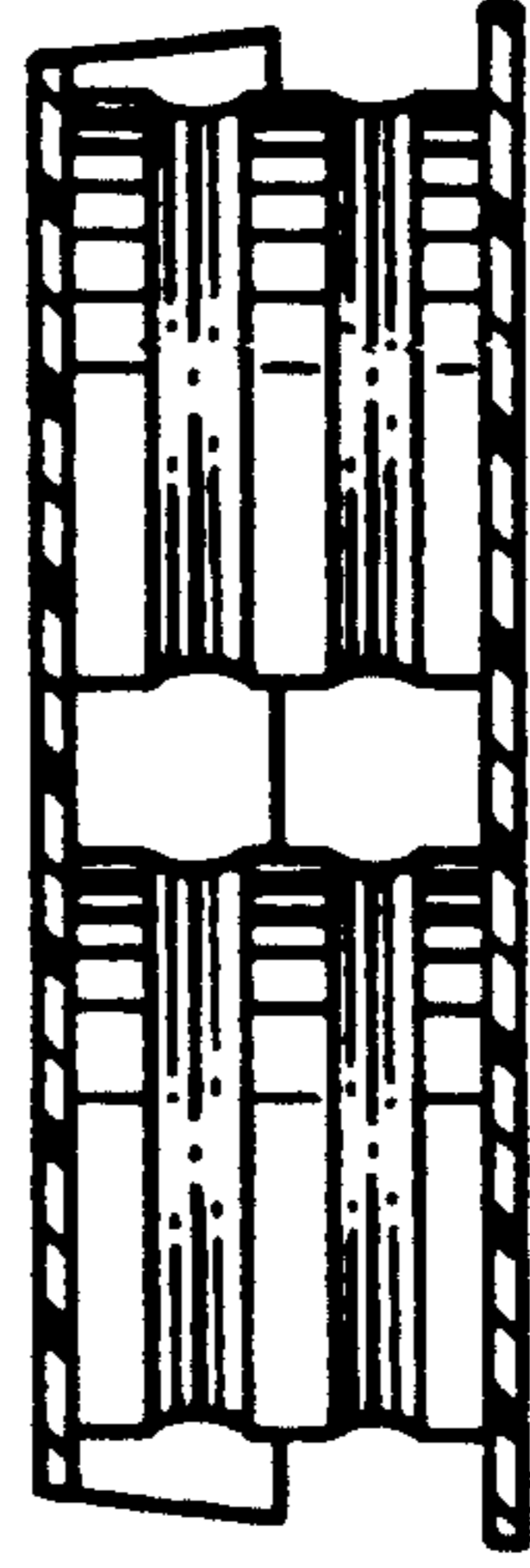


FIG. 16

