



US00D344399S

# United States Patent [19] Kilgore

[11] Patent Number: **Des. 344,399**

[45] Date of Patent: **\*\* Feb. 22, 1994**

[54] **HEEL INSERT FOR A SHOE SOLE**

[75] Inventor: **Bruce J. Kilgore, Lake Oswego, Oreg.**

[73] Assignee: **Nike, Inc., Beaverton, Oreg.**

[\*\*] Term: **14 Years**

[21] Appl. No.: **786,931**

[22] Filed: **Nov. 1, 1991**

[52] U.S. Cl. .... **D2/965; D2/964**

[58] Field of Search ..... **D2/264, 265, 278, 308-314, D2/317-324; 36/1, 3 B, 7, 8, 28, 29, 35 R, 35 B, 37, 38, 89, 114, 132, 136**

4,680,875 7/1987 Danieli ..... 36/28 X  
 4,680,876 7/1987 Peng ..... 36/35 B  
 4,715,130 12/1987 Scatena ..... 36/28 X  
 4,722,131 2/1988 Huang .  
 4,815,221 3/1989 Diaz ..... 36/28 X  
 4,817,304 4/1989 Parker et al. .... 36/114  
 4,843,741 7/1989 Yung-Mao ..... 36/114  
 4,878,300 11/1989 Bogaty ..... 36/28 X  
 4,887,367 12/1989 Mackness et al. .... 36/28  
 4,918,838 4/1990 Chang ..... 36/28  
 4,918,841 4/1990 Turner et al. .... 36/114  
 4,936,029 6/1990 Rudy ..... 36/29  
 4,956,927 9/1990 Misevich et al. .... 36/28 X  
 5,014,449 5/1991 Richard et al. .... 36/114

### FOREIGN PATENT DOCUMENTS

51380 12/1911 Austria ..... 36/37  
 1227420 8/1960 France .  
 1526637A1 12/1989 U.S.S.R. .

[56] **References Cited**  
**U.S. PATENT DOCUMENTS**

D. 39,747 1/1909 McKenna .  
 D. 260,196 8/1981 Plagenhoef ..... D2/319  
 D. 261,946 11/1981 Trask ..... D2/322  
 D. 296,493 7/1988 Diaz ..... D2/318  
 D. 308,285 6/1990 Serna ..... D2/320  
 413,693 10/1889 Walker ..... 36/7.8 X  
 507,490 10/1893 Gambino ..... 36/28  
 622,673 4/1899 Ferrata ..... 36/3 B  
 968,020 8/1910 Yandoli ..... 36/37 X  
 1,075,039 10/1913 Keith ..... 36/1  
 1,469,717 10/1923 Cutting ..... 36/3 B  
 2,710,460 6/1955 Stasinos ..... 36/28 X  
 2,985,971 8/1960 Murawski ..... 36/29  
 4,223,457 9/1980 Borgeas ..... 36/37 X  
 4,237,625 12/1980 Cole et al. .... 36/28  
 4,322,892 4/1982 Inohora ..... 36/29  
 4,438,573 3/1984 McBarron ..... 36/3 B  
 4,535,553 8/1985 Derderian et al. .... 36/28  
 4,573,279 3/1986 Feurer-Zogel et al. .... 36/35 R  
 4,611,412 9/1986 Cohen ..... 36/28  
 4,616,431 10/1986 Dassler ..... 36/28  
 4,660,299 4/1987 Omilusik ..... 36/7.8  
 4,663,865 5/1987 Telecemian ..... 36/114

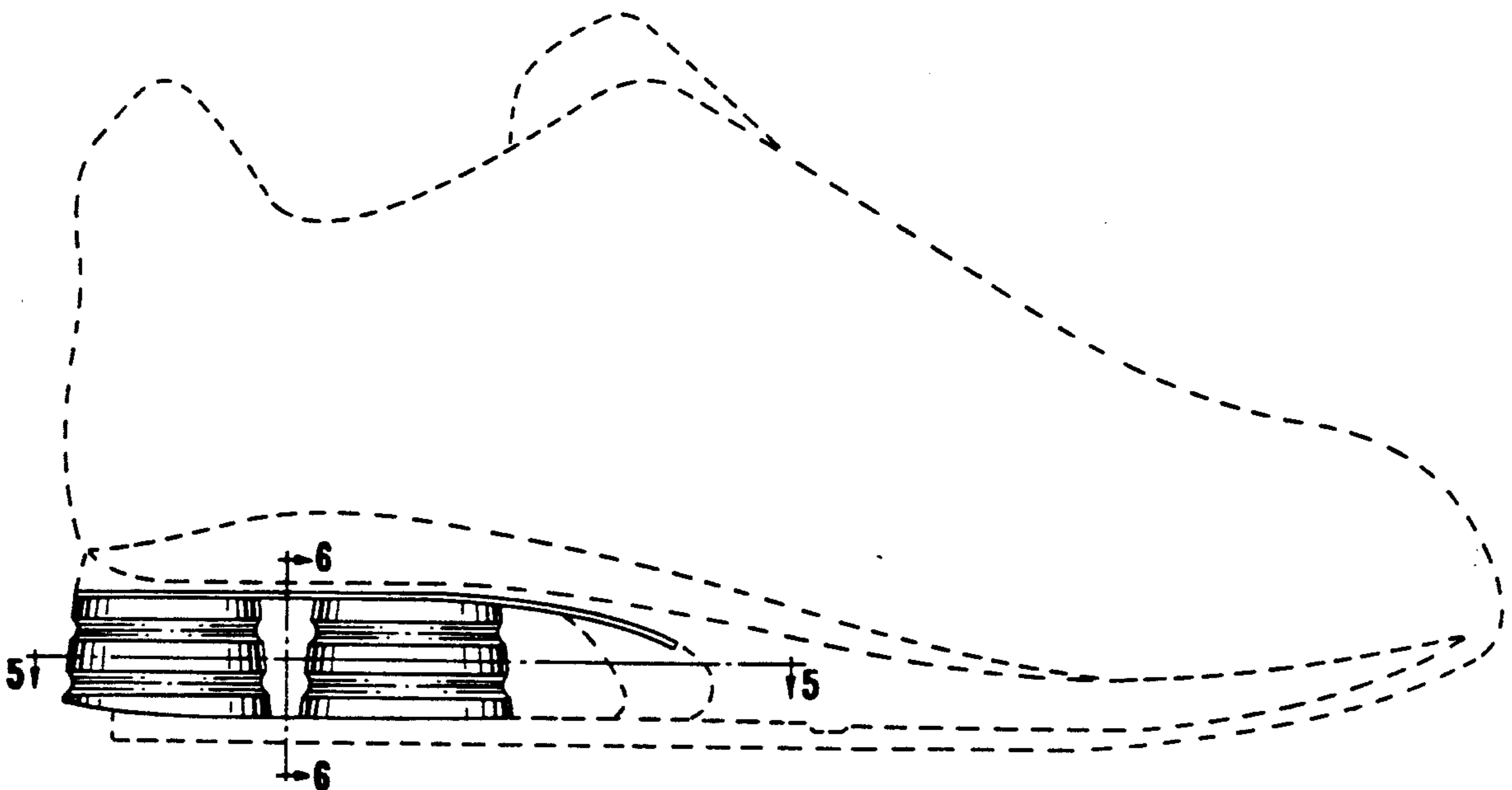
*Primary Examiner*—Louis S. Zarfaz  
*Attorney, Agent, or Firm*—Banner, Birch, McKie & Beckett

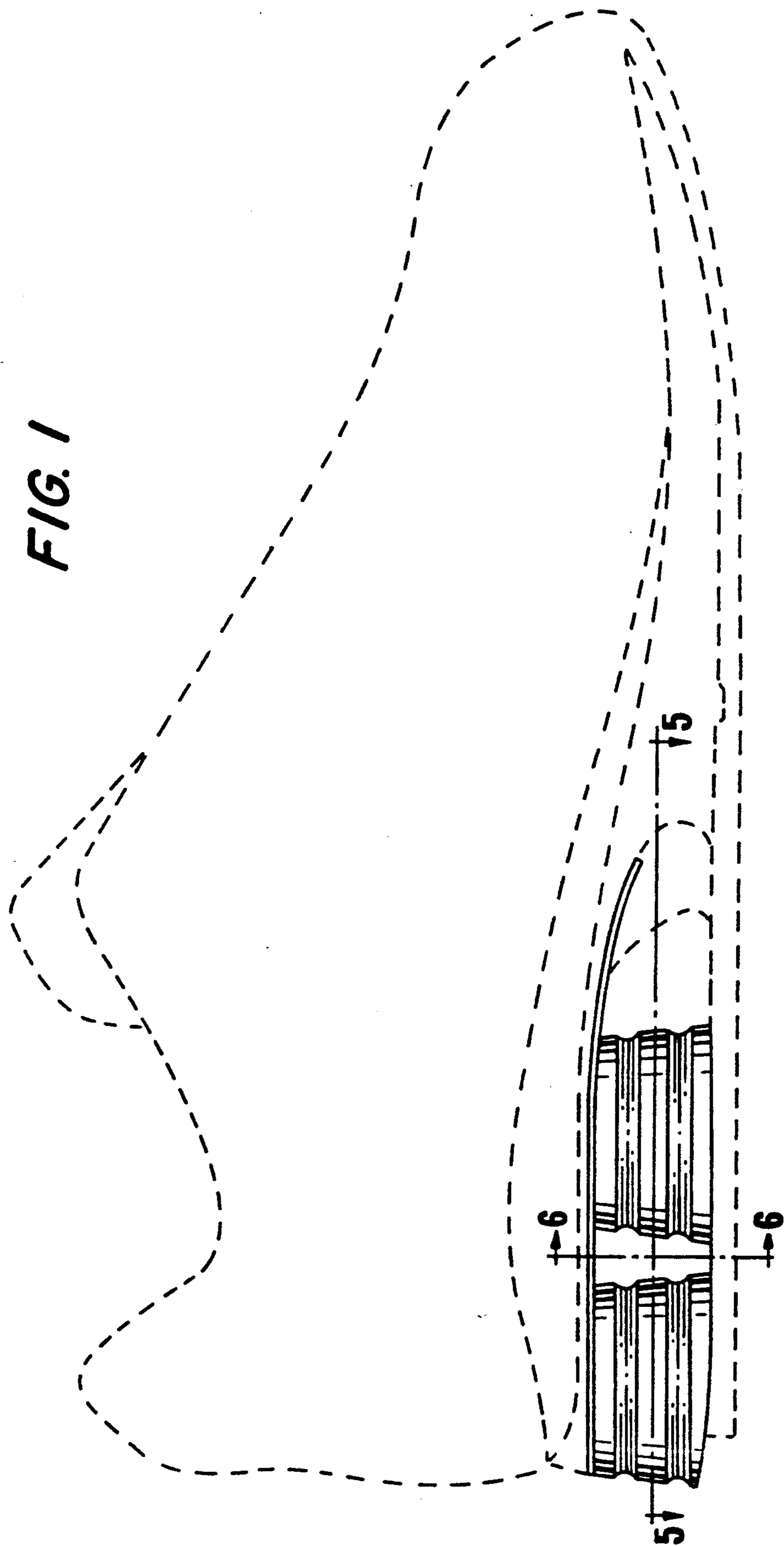
### [57] CLAIM

The ornamental design for a heel insert for a shoe sole, as shown and described.

### DESCRIPTION

FIG. 1 is a left side elevational view of a heel insert for a shoe sole showing my new design;  
 FIG. 2 is a right side elevational view;  
 FIG. 3 is a top plan view;  
 FIG. 4 is a rear elevational view;  
 FIG. 5 is a cross-sectional view taken on line 5—5 of FIG. 1; and,  
 FIG. 6 is a cross-sectional view taken on line 6—6 of FIG. 1.  
 The broken line showing of the remaining portions of the shoe sole and upper is for illustrative purposes only and forms no part of the claimed design.





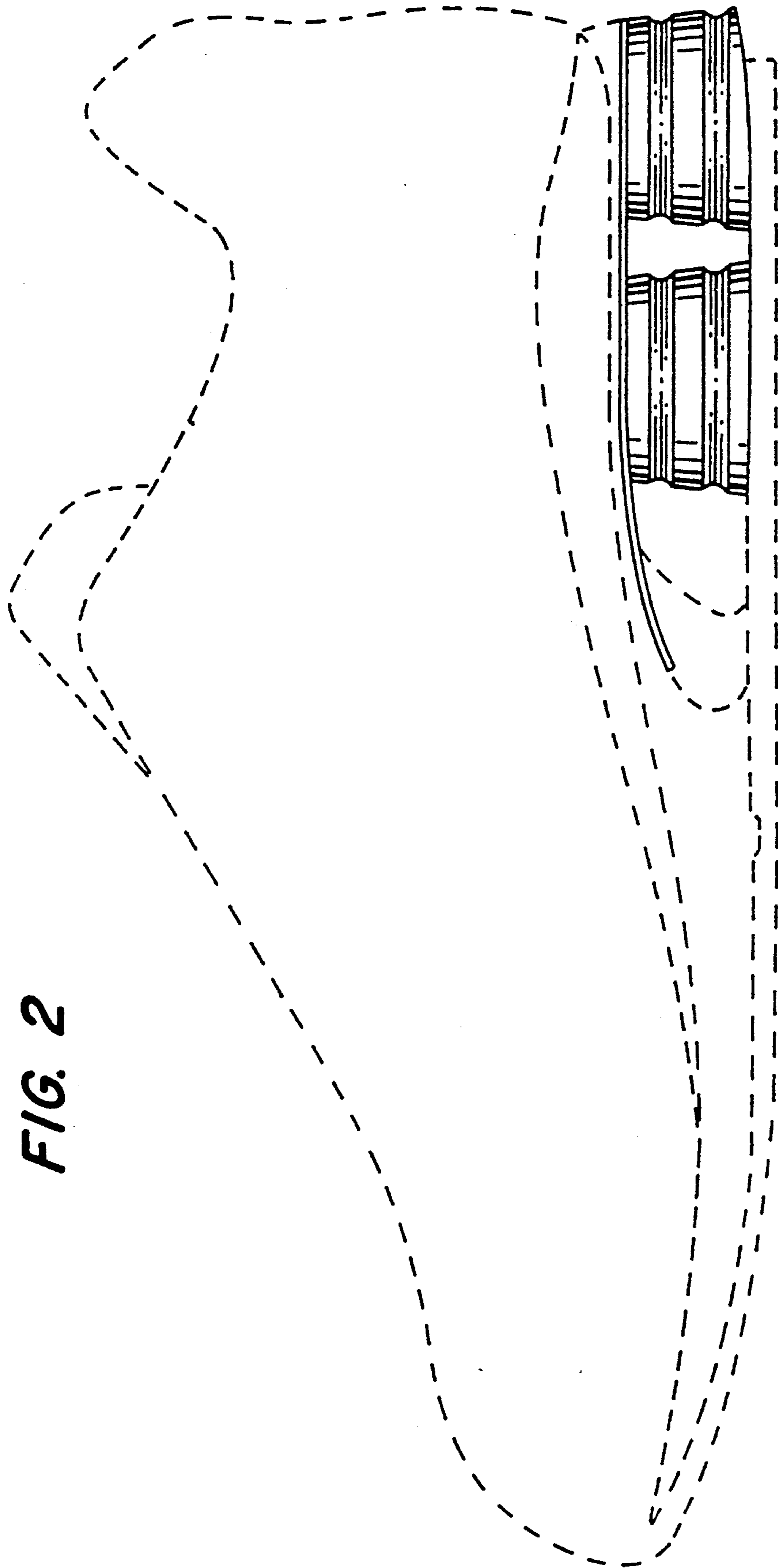


FIG. 2

**FIG. 3**

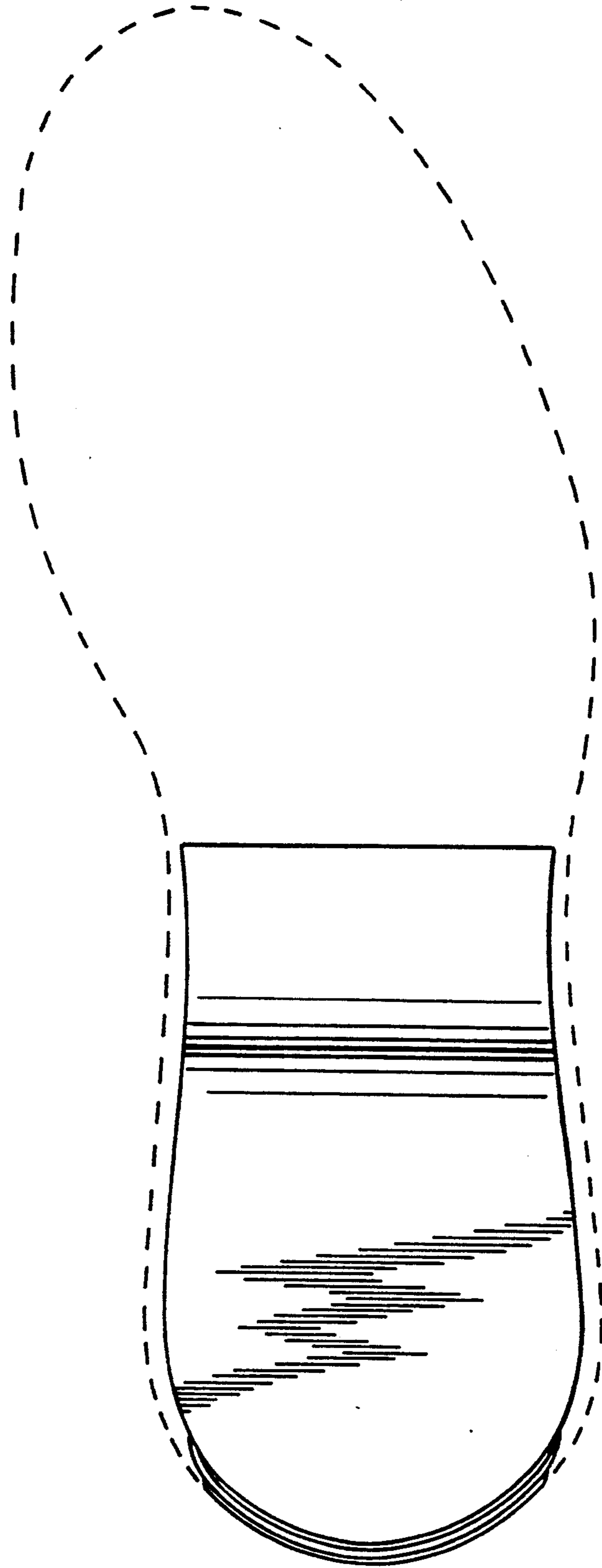


FIG. 5

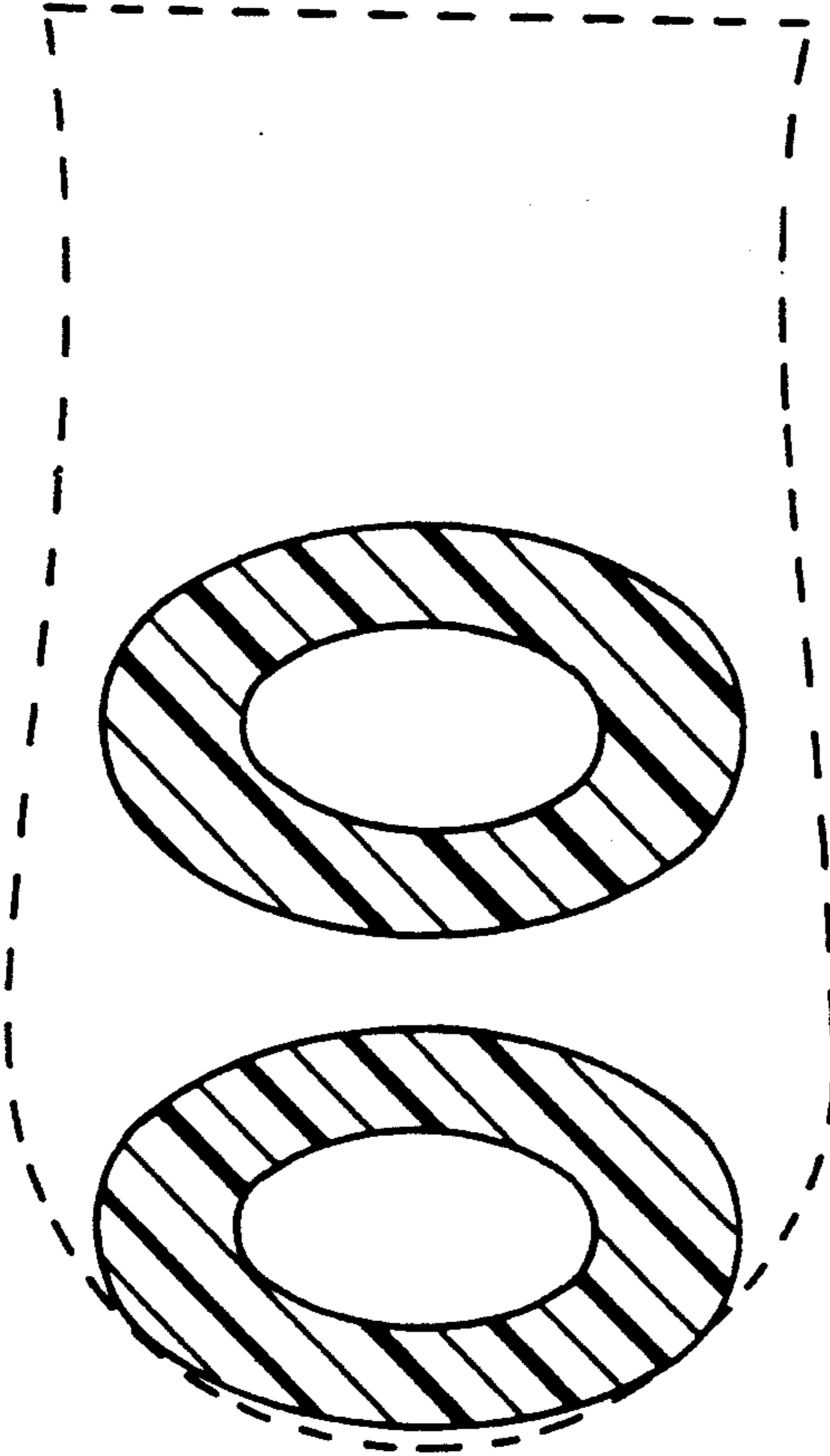


FIG. 6

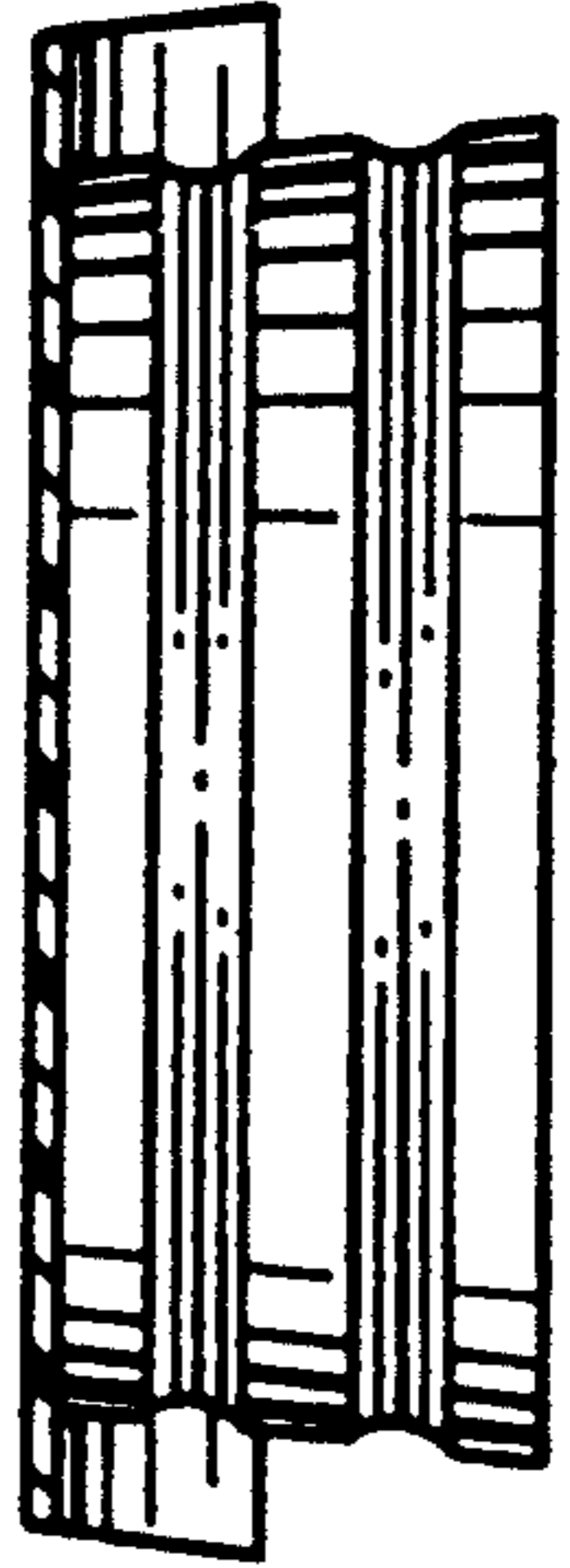


FIG. 4

