



US00D344398S

United States Patent [19]

[11] Patent Number: **Des. 344,398**

Kilgore

[45] Date of Patent: **** Feb. 22, 1994**

[54] **HEEL INSERT FOR A SHOE SOLE**

[75] Inventor: **Bruce J. Kilgore, Lake Oswego, Oreg.**

[73] Assignee: **Nike, Inc., Beaverton, Oreg.**

[**] Term: **14 Years**

[21] Appl. No.: **786,930**

[22] Filed: **Nov. 1, 1991**

[52] U.S. Cl. **D2/967; D2/964**

[58] Field of Search **D2/264, 265, 308-314, D2/317-324, 278; 36/1, 3 B, 7.8, 28, 29, 35 R, 35 B, 37, 43, 89, 114, 132, 136, 38**

4,680,876 7/1987 Peng 36/35 B

4,715,130 12/1987 Scatena 36/28 X

4,722,131 2/1988 Huang .

4,815,221 3/1989 Diaz 36/28 X

4,817,304 4/1989 Parker et al. 36/114

4,843,741 7/1989 Yung-Mao 36/114

4,878,300 11/1989 Bogaty 36/28 X

4,887,367 12/1989 Mackness et al. 36/28

4,918,838 4/1990 Chang 36/28

4,918,841 4/1990 Turner et al. 36/114

4,936,029 6/1990 Rudy 36/29

4,936,030 6/1990 Rennex 36/28

4,956,927 9/1990 Misevich et al. 36/28 X

5,014,449 5/1991 Richard et al. 36/114

FOREIGN PATENT DOCUMENTS

1227420 8/1960 France .

1526637A1 12/1989 U.S.S.R. .

[56] **References Cited**

U.S. PATENT DOCUMENTS

D. 39,747 1/1909 McKenna .

D. 136,960 1/1944 Shuford D2/324

D. 260,196 8/1981 Plagenhoef D2/319

D. 261,946 11/1981 Trask D2/322

D. 296,493 7/1988 Diaz D2/318

D. 308,285 6/1990 Serna D2/320

507,490 10/1893 Gambino 36/28

622,673 4/1899 Ferrata 36/3 B

1,075,039 10/1913 Keith 36/1

2,048,683 7/1936 Brockman 36/35 R

2,710,460 6/1955 Stasinos 36/28 X

2,985,971 8/1960 Murawski 36/29

4,223,457 9/1980 Borgeas 36/37 X

4,237,625 12/1980 Cole et al. 36/28

4,322,892 4/1982 Inohora 36/29

4,438,573 3/1984 McBarron 36/3 B

4,535,553 8/1985 Derderian et al. 36/28

4,573,279 3/1986 Feurer-Zogel et al. 36/35 R

4,611,412 9/1986 Cohen 36/28

4,616,431 10/1986 Dassler 36/28

4,660,299 4/1987 Omilusik 36/7.8

4,663,865 5/1987 Telecemian 36/114

4,680,875 7/1987 Danieli 36/28 X

Primary Examiner—Louis S. Zarfaz
Attorney, Agent, or Firm—Banner, Birch, McKie & Beckett

[57] CLAIM

The ornamental design for a heel insert for a shoe sole, as shown and described.

DESCRIPTION

FIG. 1 is a left side elevational view of a heel insert for a shoe sole showing my new design;

FIG. 2 is a right side elevational view;

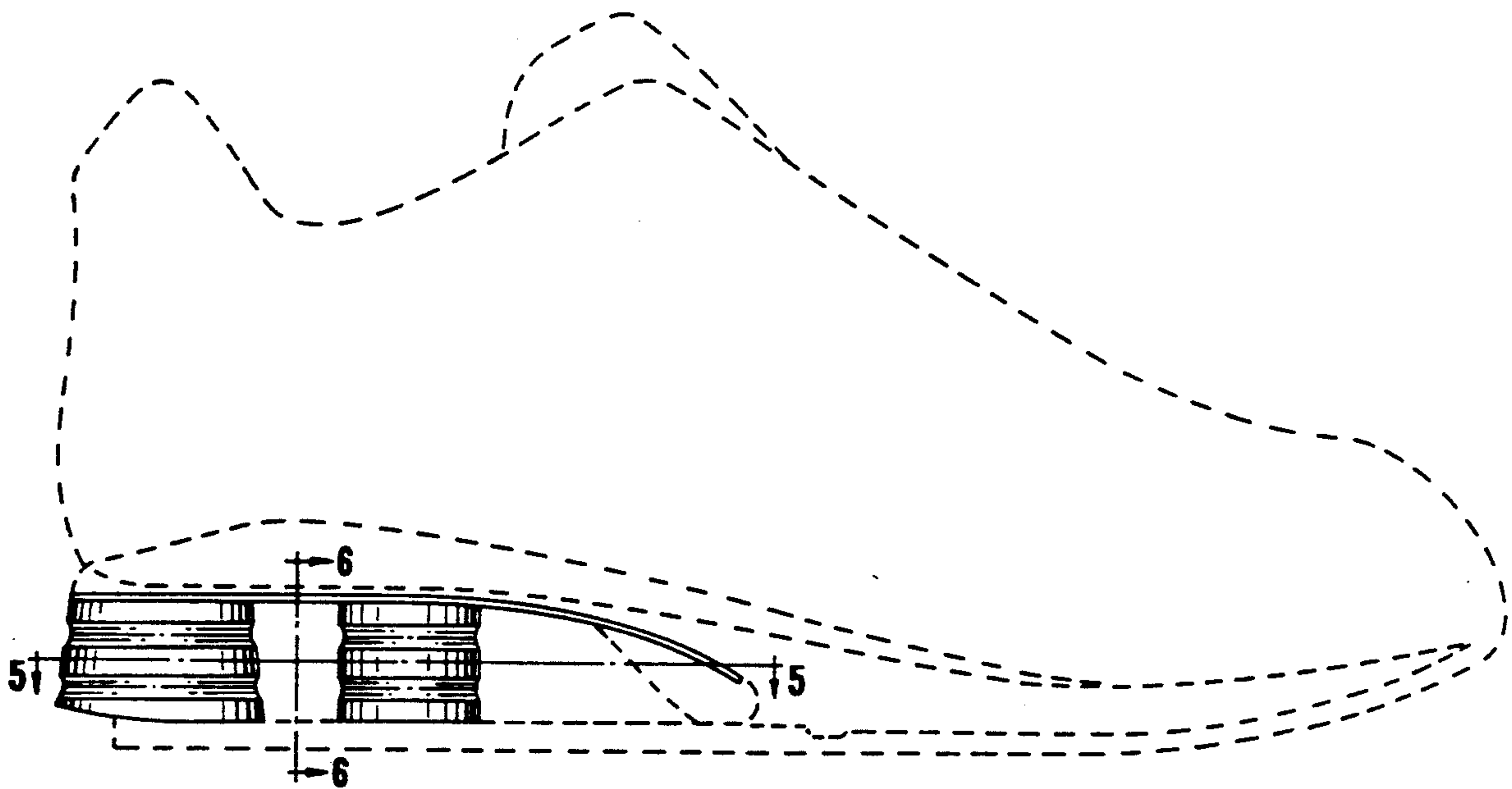
FIG. 3 is a top plan view;

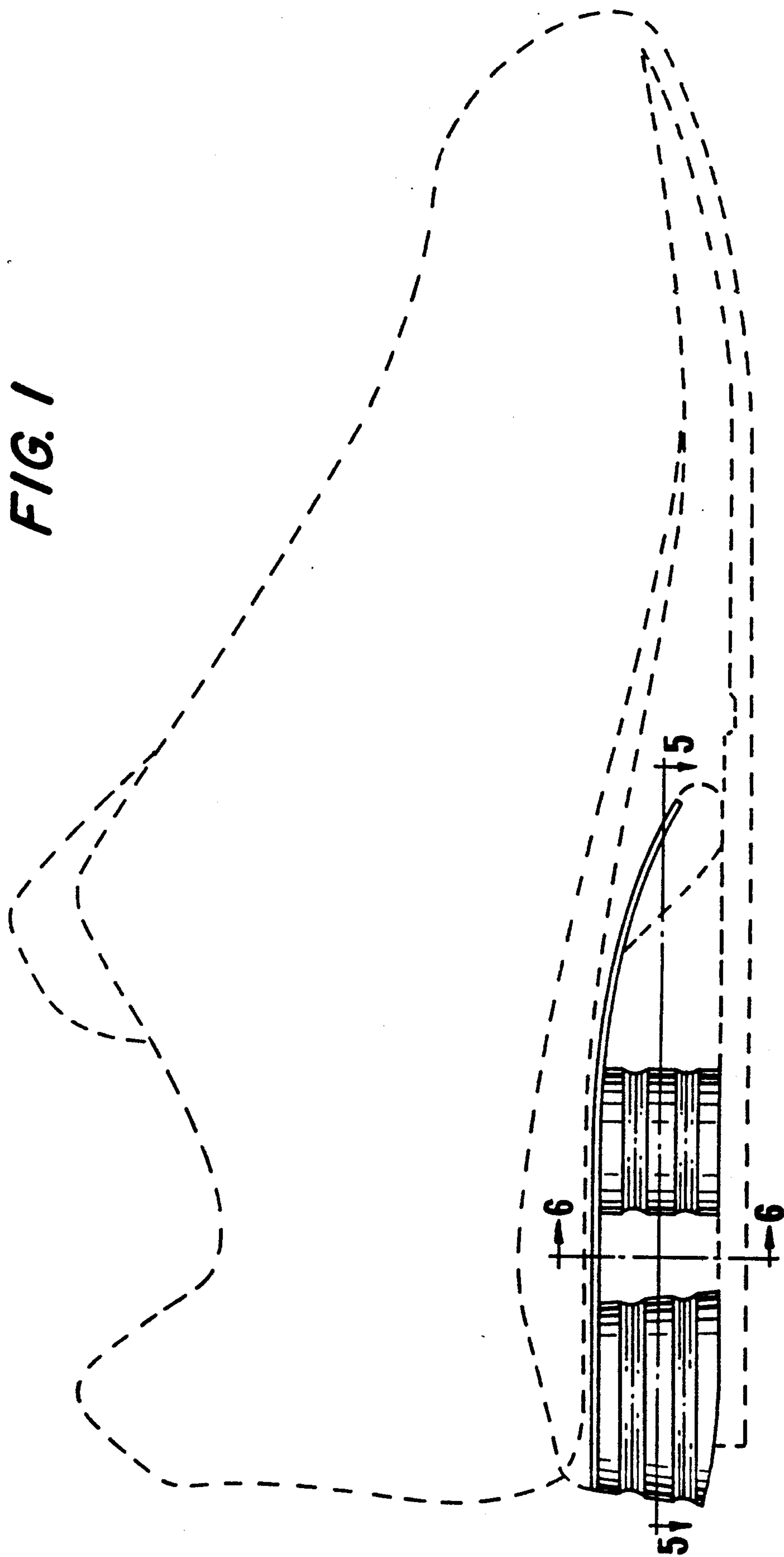
FIG. 4 is a rear elevational view;

FIG. 5 is a cross-sectional view taken on line 5—5 of FIG. 1; and,

FIG. 6 is a cross-sectional view taken on line 6—6 of FIG. 1.

The broken line showing of the remaining portions of the shoe sole and upper is for illustrative purposes only and forms no part of the claimed design.





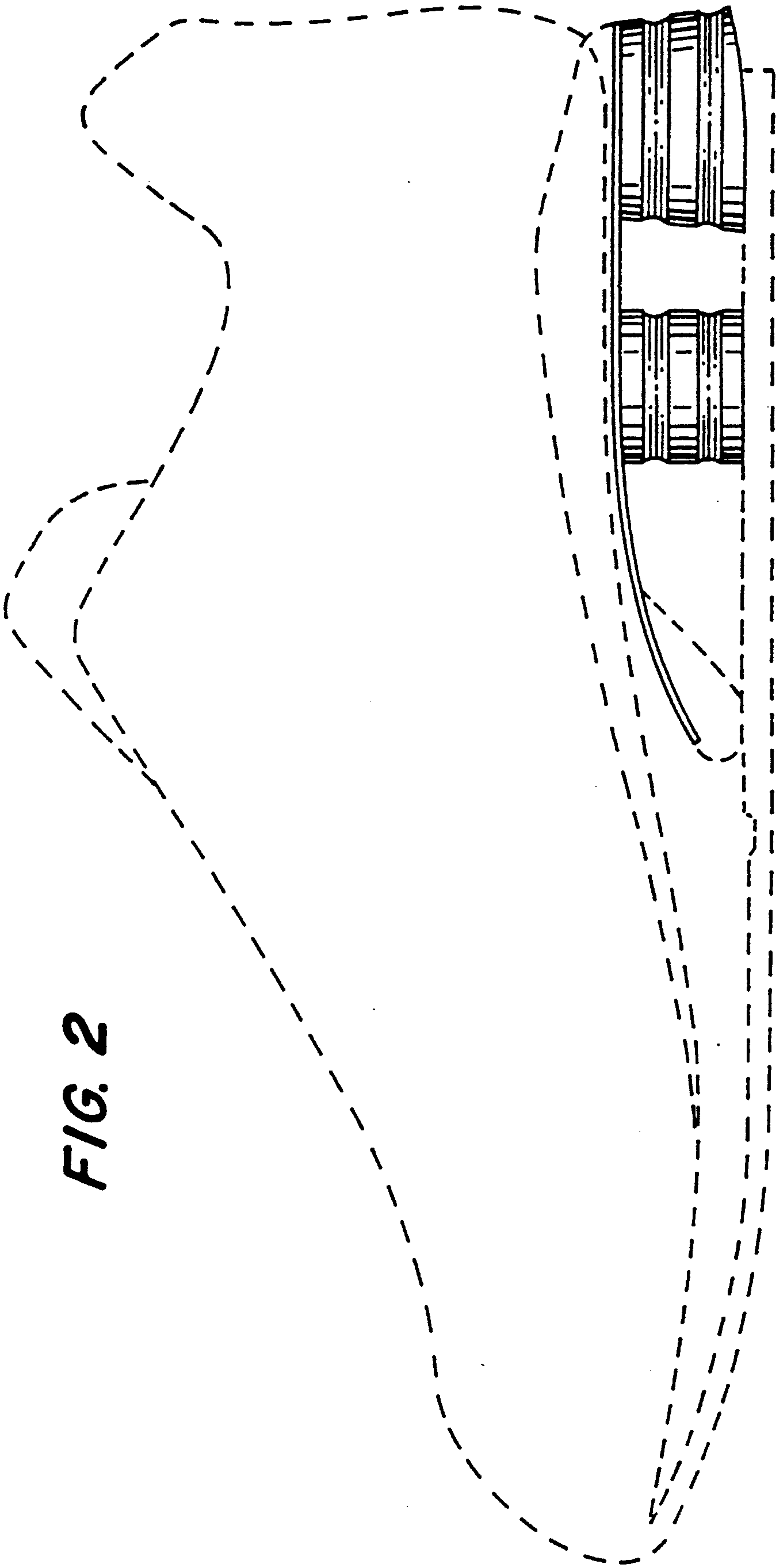


FIG. 2

FIG. 3

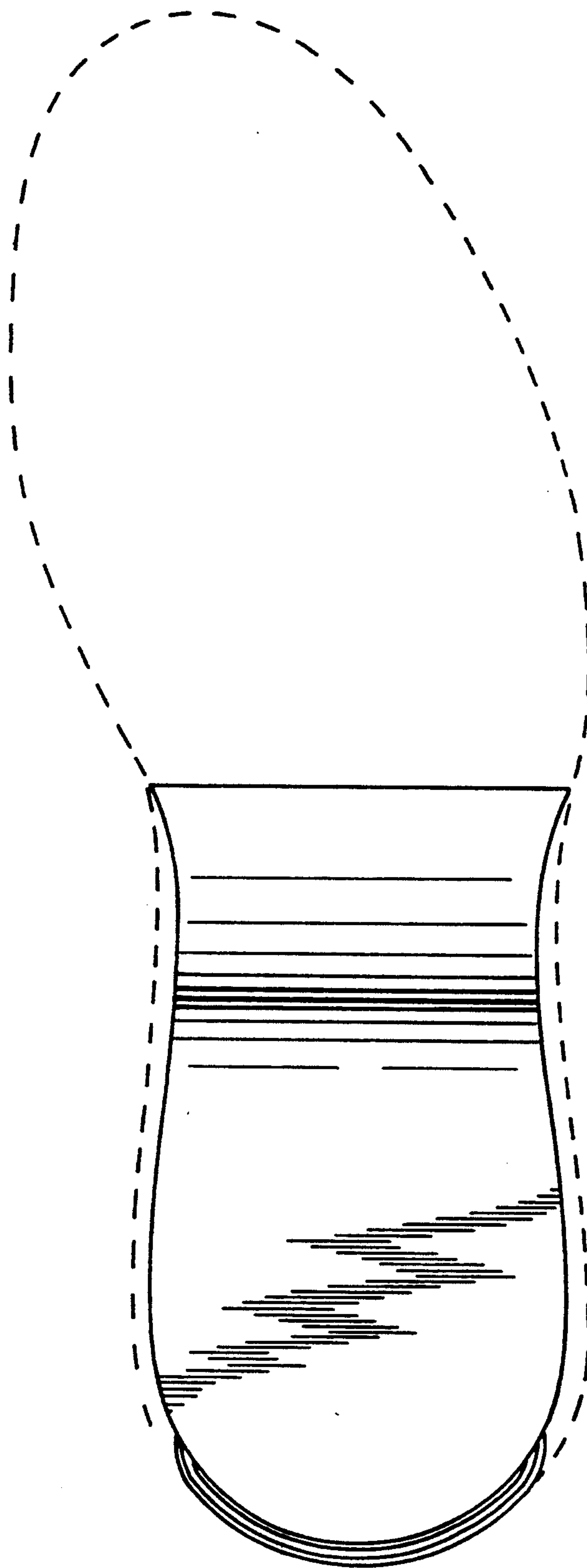


FIG. 5

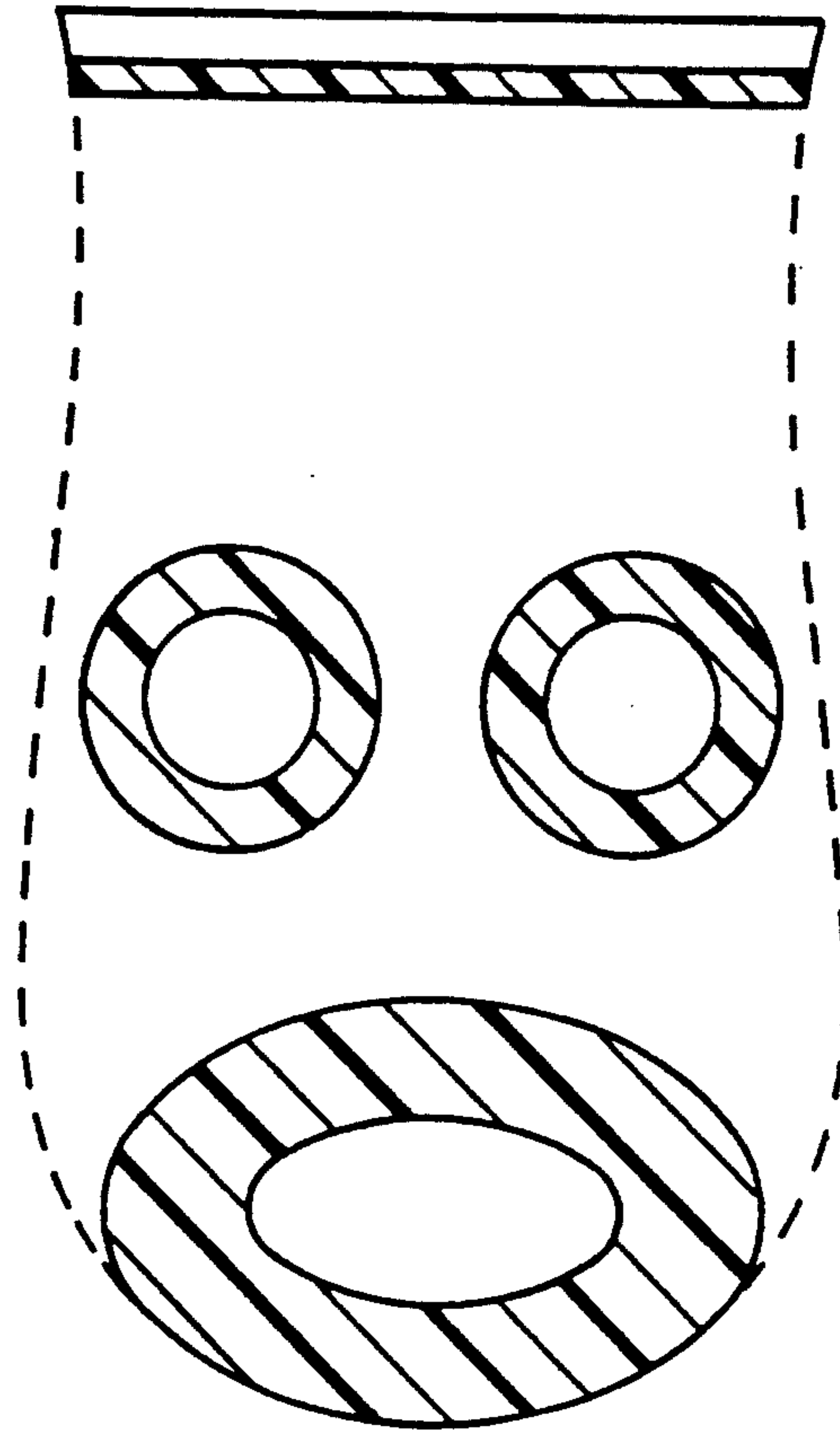


FIG. 6

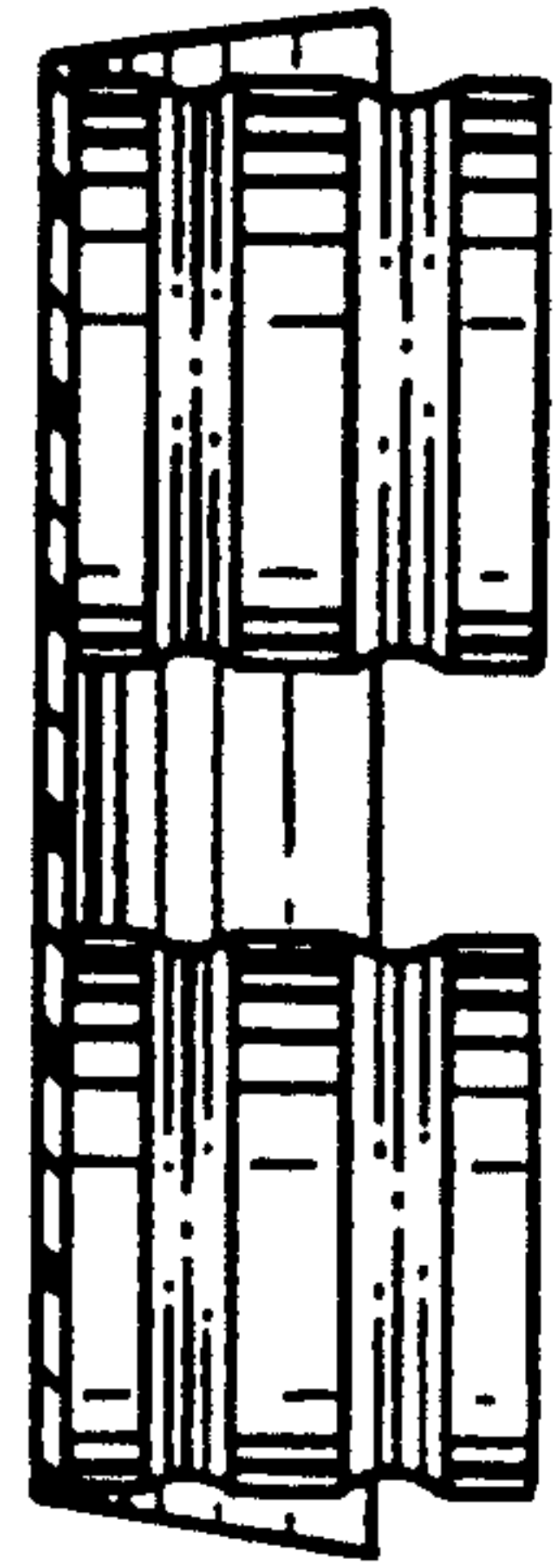


FIG. 4

