



US00D344392S

# United States Patent [19]

[11] Patent Number: **Des. 344,392**

**Gardner**

[45] Date of Patent: **\*\* Feb. 15, 1994**

[54] MAIL BOX

[76] Inventor: **Donald W. Gardner**, 2920 Clark Rd., #103, Sarasota, Fla. 34231

[\*\*] Term: **14 Years**

[21] Appl. No.: **5,437**

[22] Filed: **Mar. 4, 1993**

[52] U.S. Cl. .... **D99/29**

[58] Field of Search ..... 232/1, 14, 7, 24, 37, 232/34; D99/29, 30, 31, 32

[56] **References Cited**

**U.S. PATENT DOCUMENTS**

D. 154,234	6/1949	Batzler	.....	D99/29
D. 221,361	8/1971	Parker	.....	D99/29
D. 222,185	10/1971	Levine	.....	D99/29
D. 229,981	1/1974	Adamson et al.	.....	D99/29

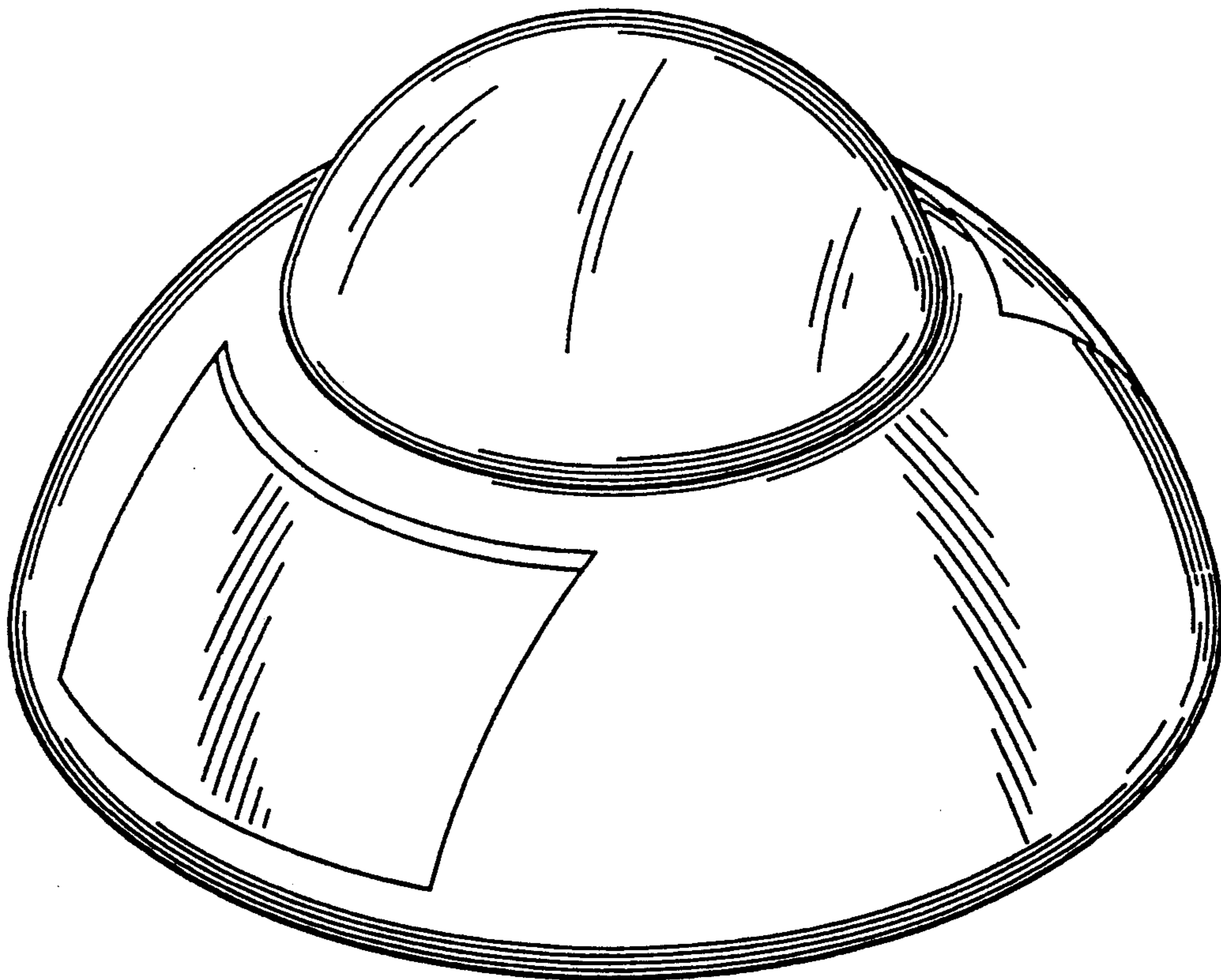
*Primary Examiner*—Alan P. Douglas  
*Assistant Examiner*—Jeffry Musgrove  
*Attorney, Agent, or Firm*—Charles J. Prescott

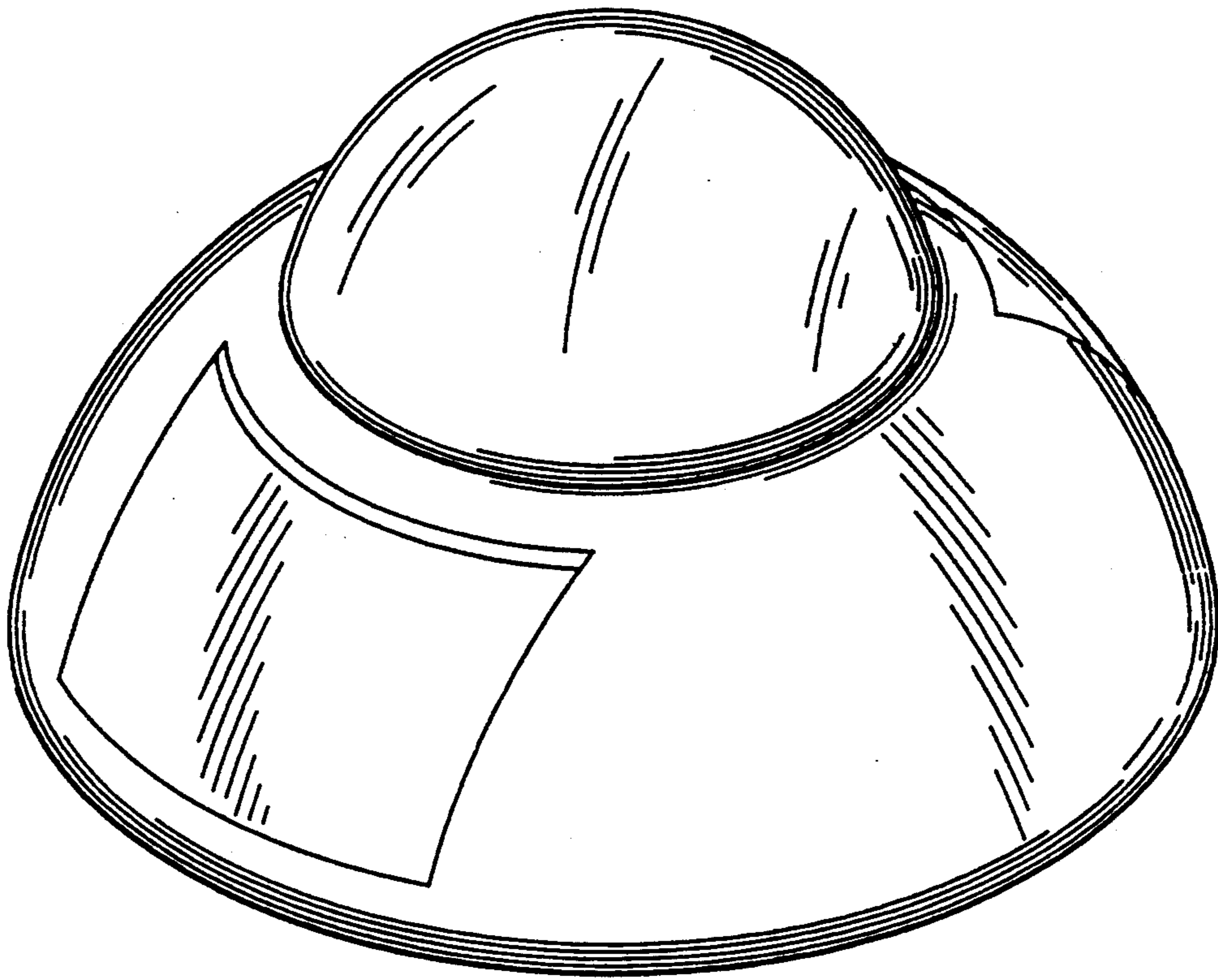
[57] **CLAIM**

The ornamental design for a mail box, as shown and described.

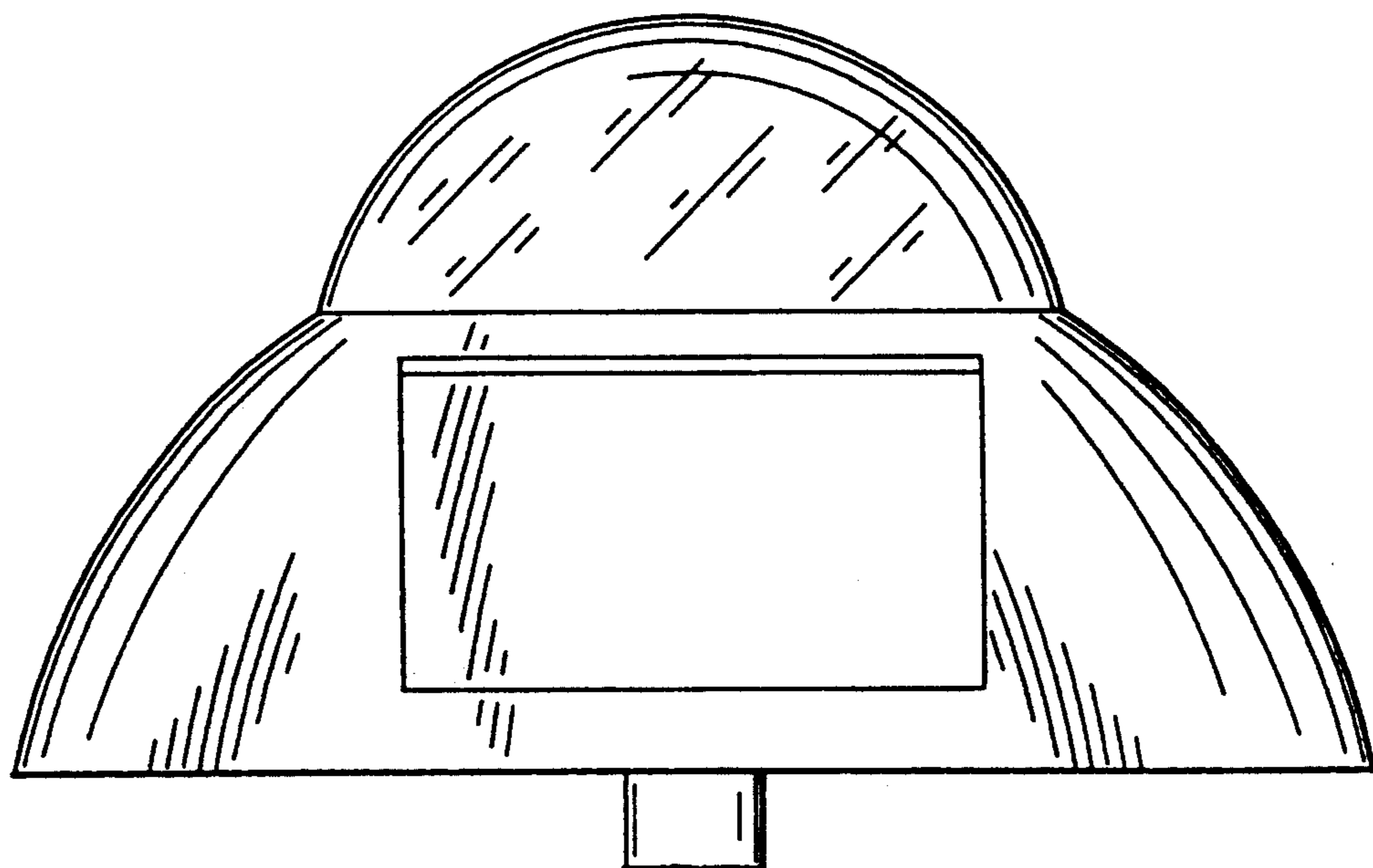
**DESCRIPTION**

FIG. 1 is a perspective view of a mail box showing my new design;  
FIG. 2 is a front elevation view thereof;  
FIG. 3 is a rear elevation view thereof;  
FIG. 4 is a right side elevation view, the left side elevation view being a mirror image thereof;  
FIG. 5 is a top plan view thereof, the bottom plan view being unornamental; and,  
FIG. 6 is a rear elevation broken view thereof.





**FIG. 1**



**FIG. 2**

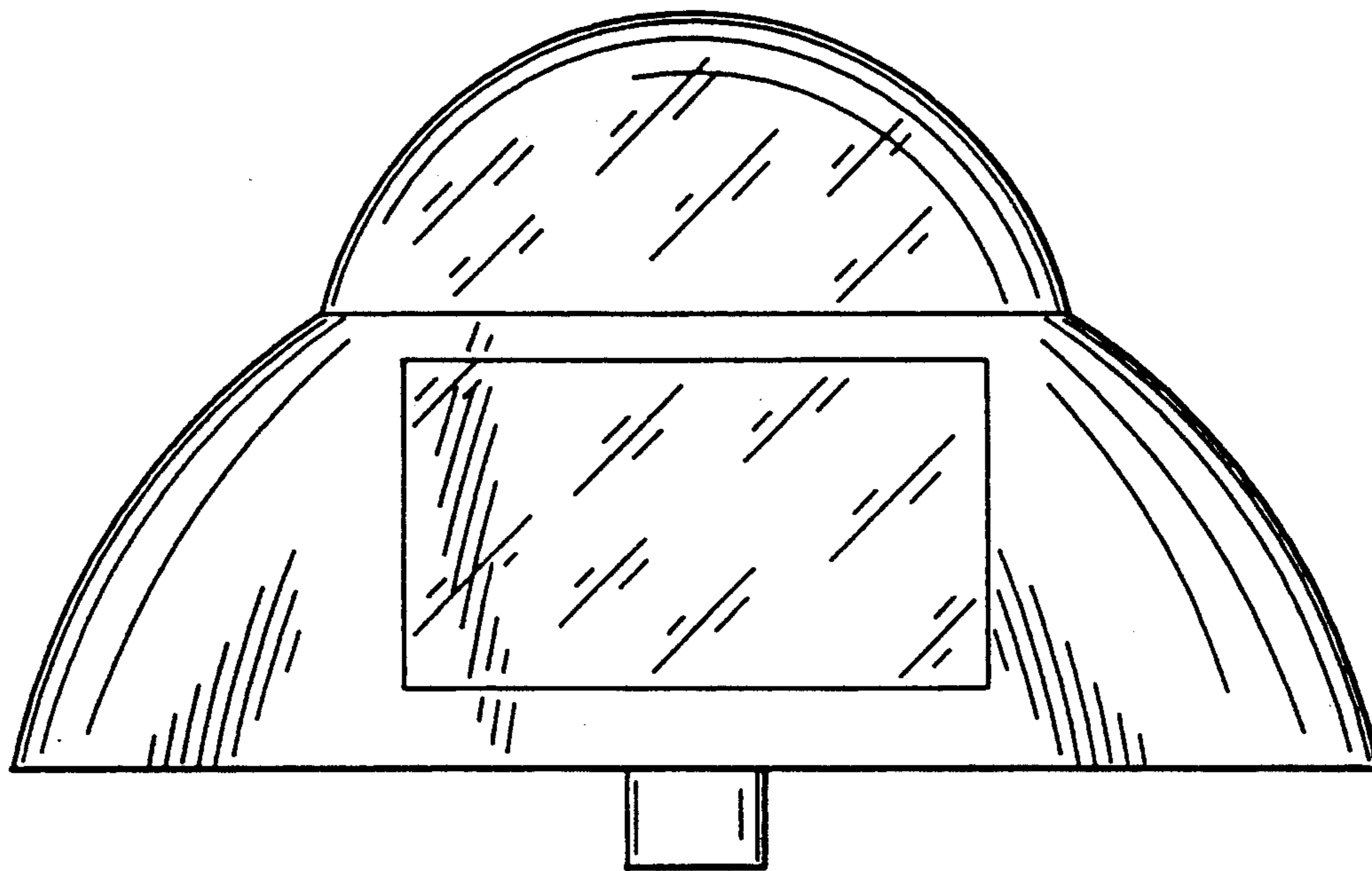


FIG. 3

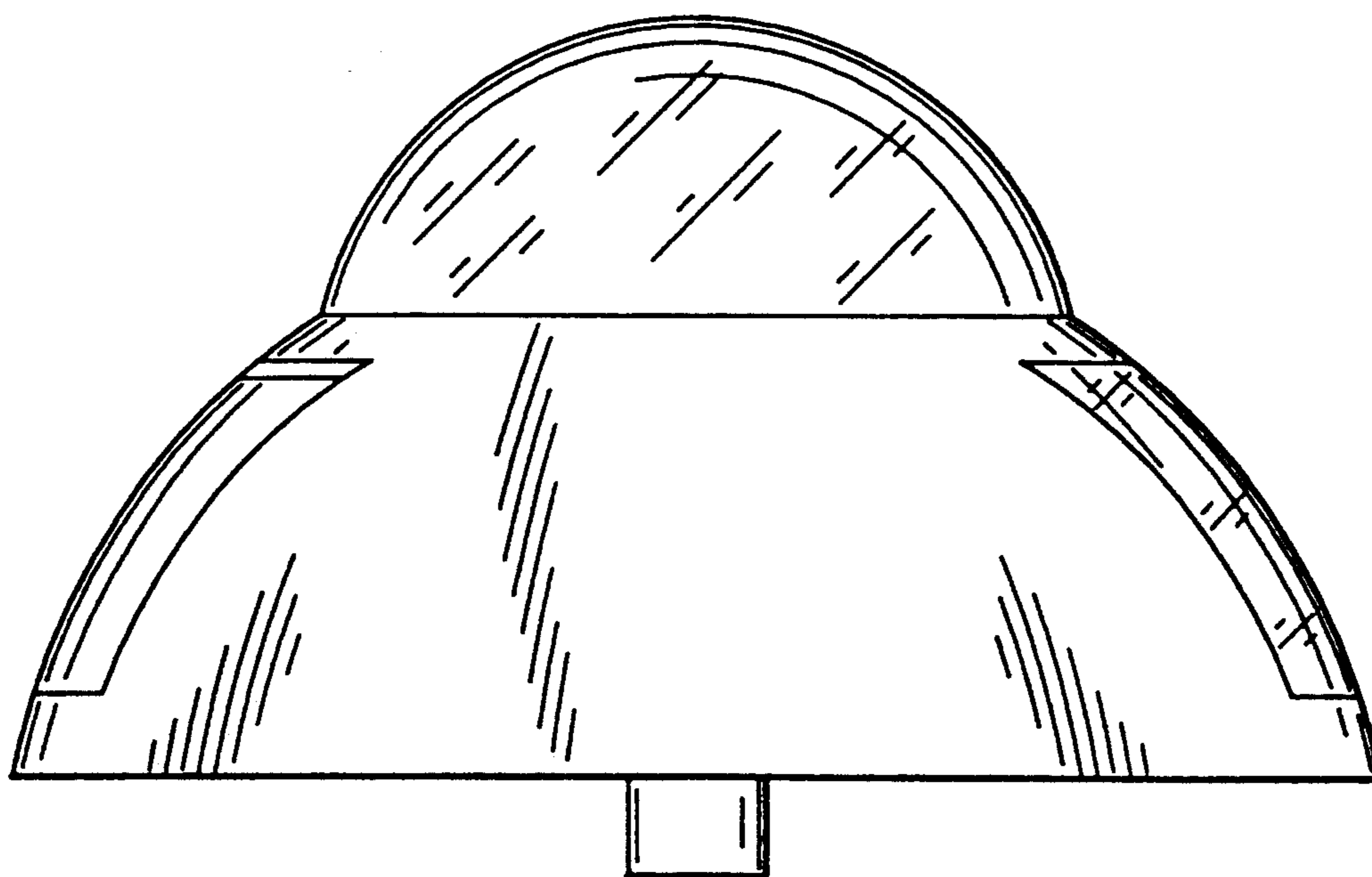
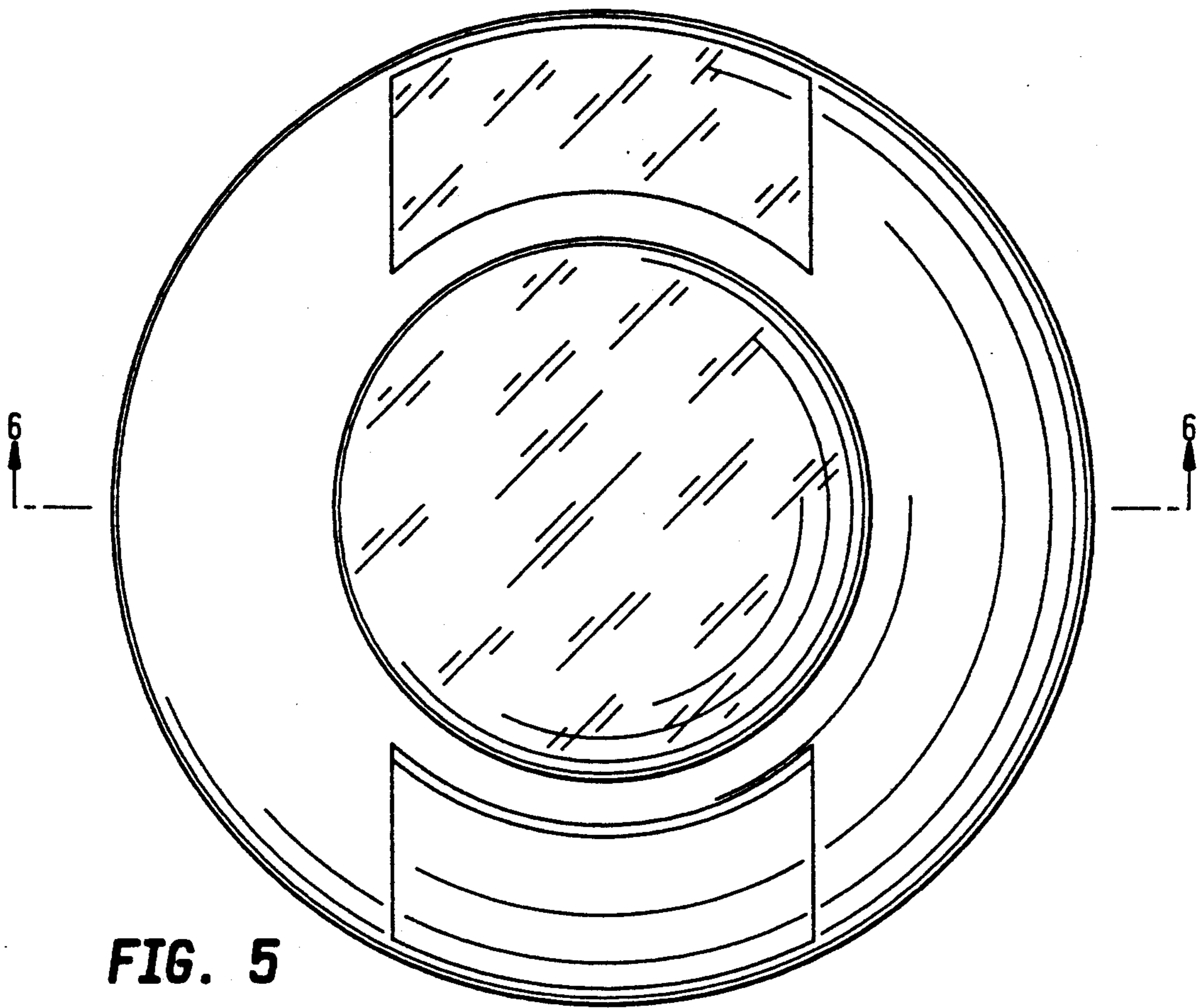
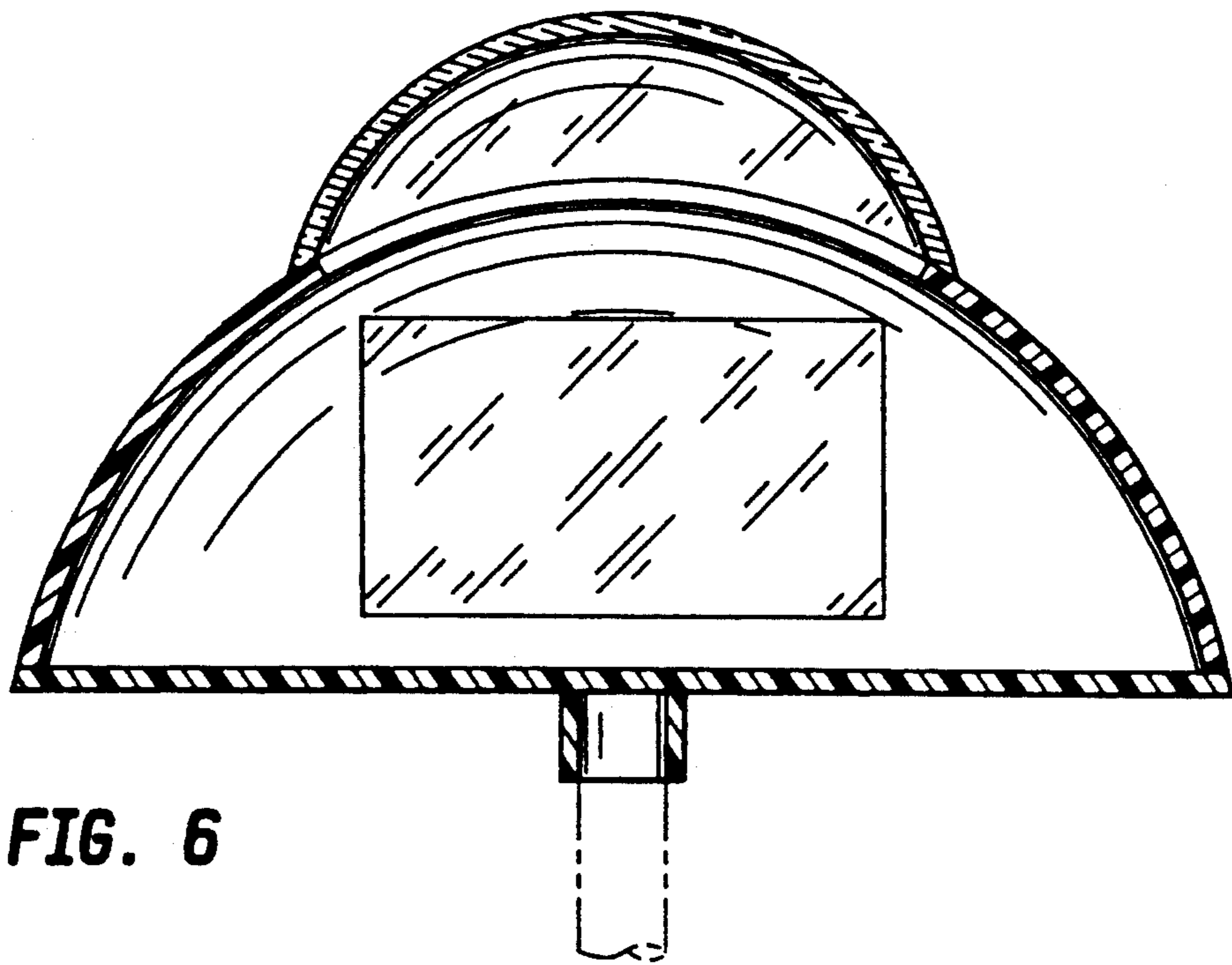


FIG. 4





**FIG. 5**



**FIG. 6**