



US00D344384S

United States Patent [19]

[11] Patent Number: **Des. 344,384**

Yamamoto et al.

[45] Date of Patent: **** Feb. 15, 1994**

[54] **ESCALATOR CONTROL BOX**

[75] Inventors: **Noboru Yamamoto, Kodaira; Shinji Shibuya, Sagamihara; Akira Omachi, Komae; Yoko Ichikawa, Fuchuu; Norio Kamoshita, Iruma; Chuichi Saito, Katsuta, all of Japan**

[73] Assignee: **Hitachi, Ltd., Tokyo, Japan**

[**] Term: **14 Years**

[21] Appl. No.: **928,326**

[22] Filed: **Aug. 12, 1992**

[30] **Foreign Application Priority Data**

May 25, 1992 [JP]	Japan	4-14824
[52] U.S. Cl.		D34/30; D34/28
[58] Field of Search		198/338, 335; D34/28, D34/30

[56] **References Cited**

U.S. PATENT DOCUMENTS

D. 296,374	6/1988	Herrmann et al.	D34/28
D. 318,357	7/1991	Adrian et al.	D34/28
3,970,187	7/1976	Esaki et al.	198/338

Primary Examiner—Kay H. Chin
Attorney, Agent, or Firm—Antonelli, Terry, Stout & Kraus

[57] **CLAIM**

The ornamental design for an escalator control box, as shown and described.

DESCRIPTION

FIG. 1 is a front, top and right side perspective view of an escalator control box showing our new design; FIG. 2 is a front elevational view thereof; FIG. 3 is a right side elevational view thereof; FIG. 4 is a left side elevational view thereof; FIG. 5 is a top plan view thereof; FIG. 6 is a rear elevational view thereof; FIG. 7 is a bottom plan view thereof; and, FIG. 8 is a reference view showing the condition in use.

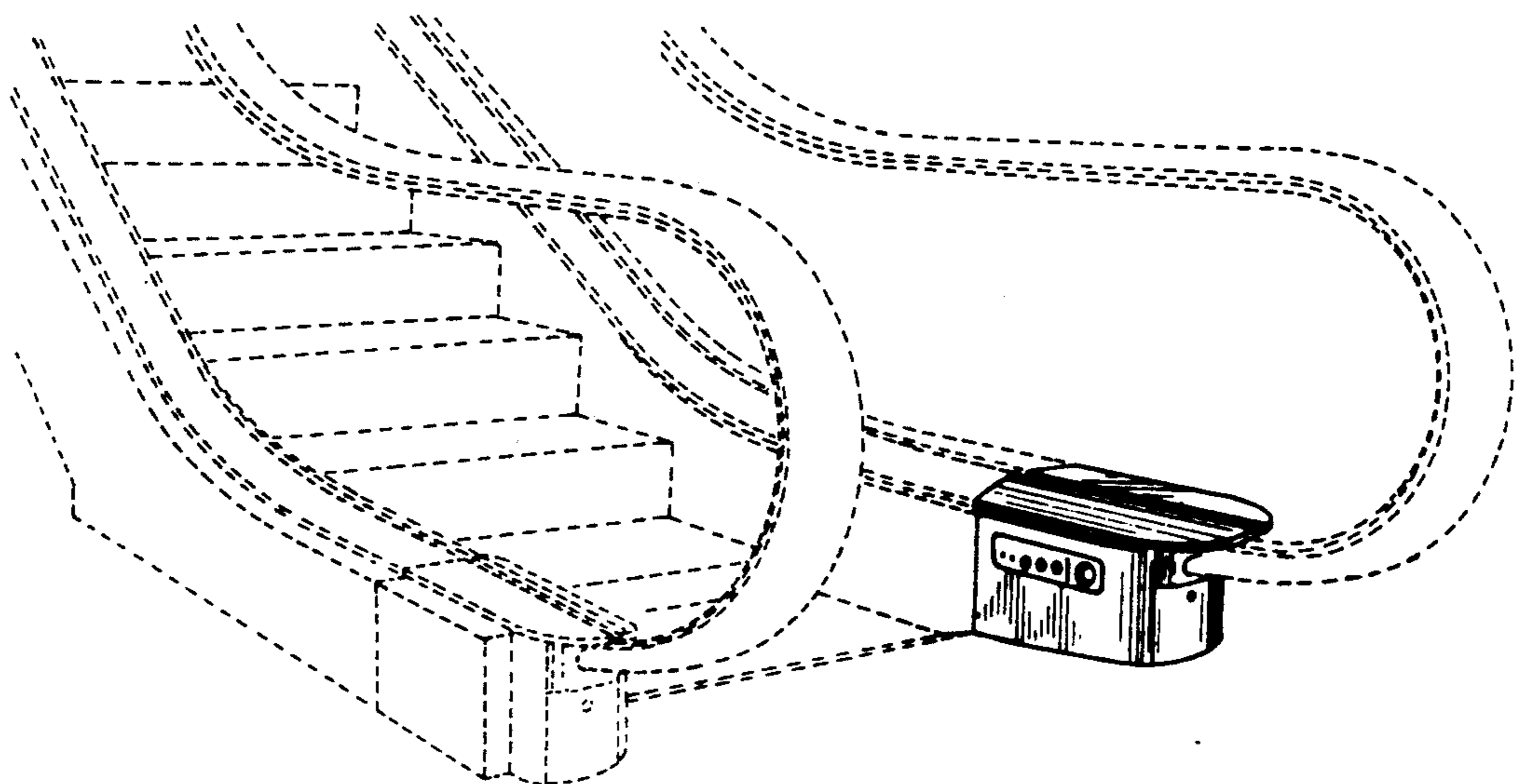


FIG. 1

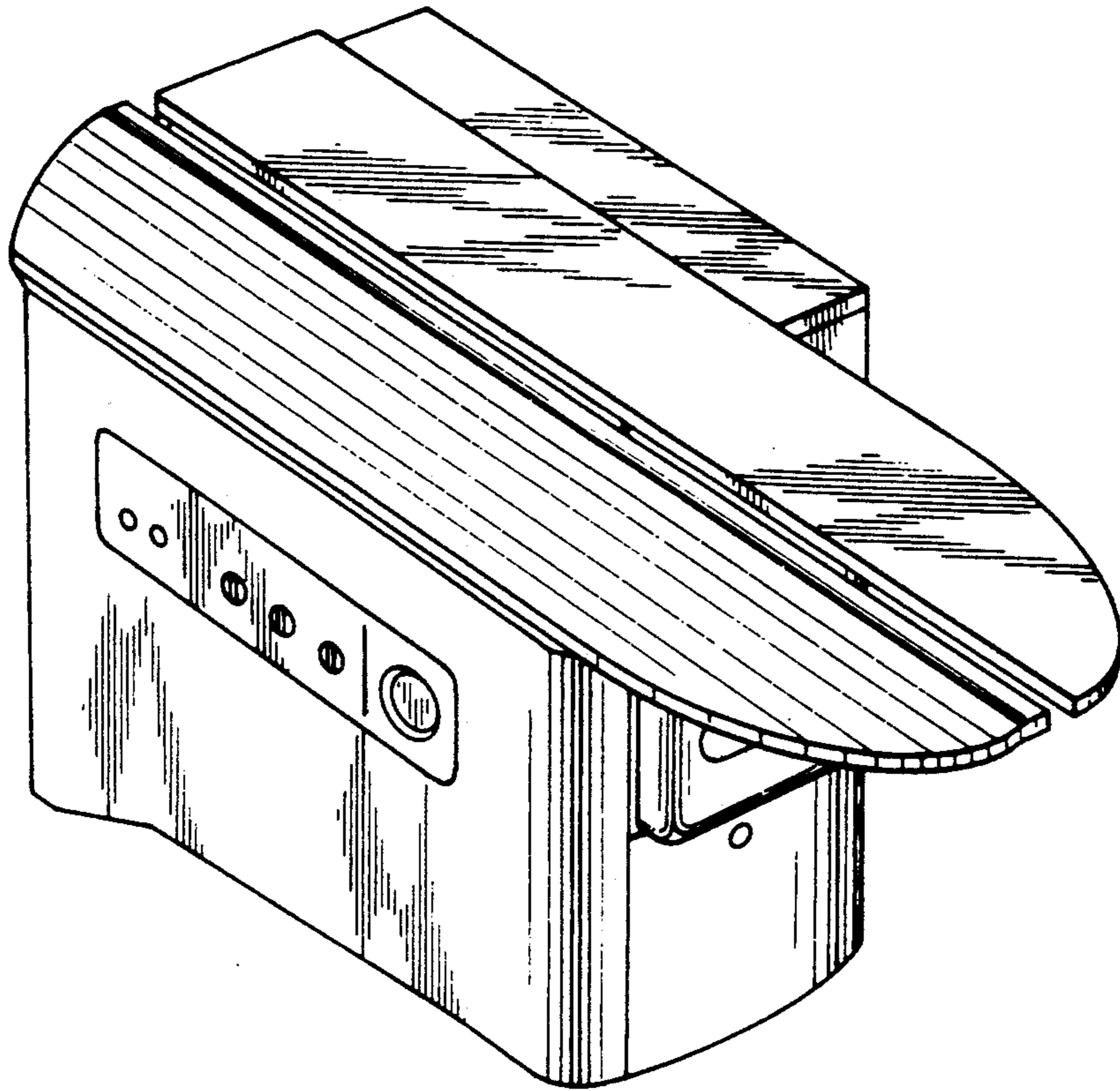


FIG. 2

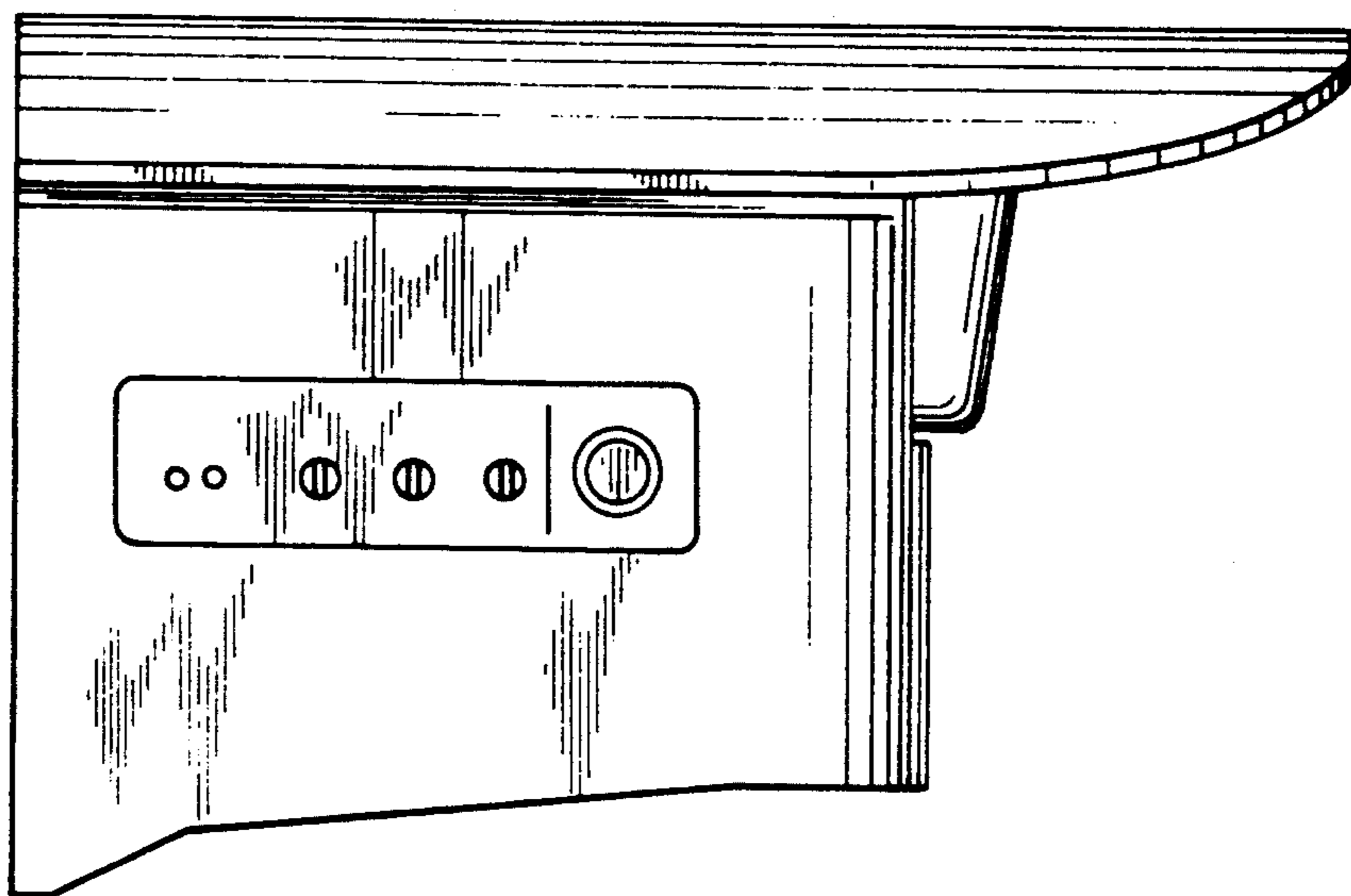


FIG. 3

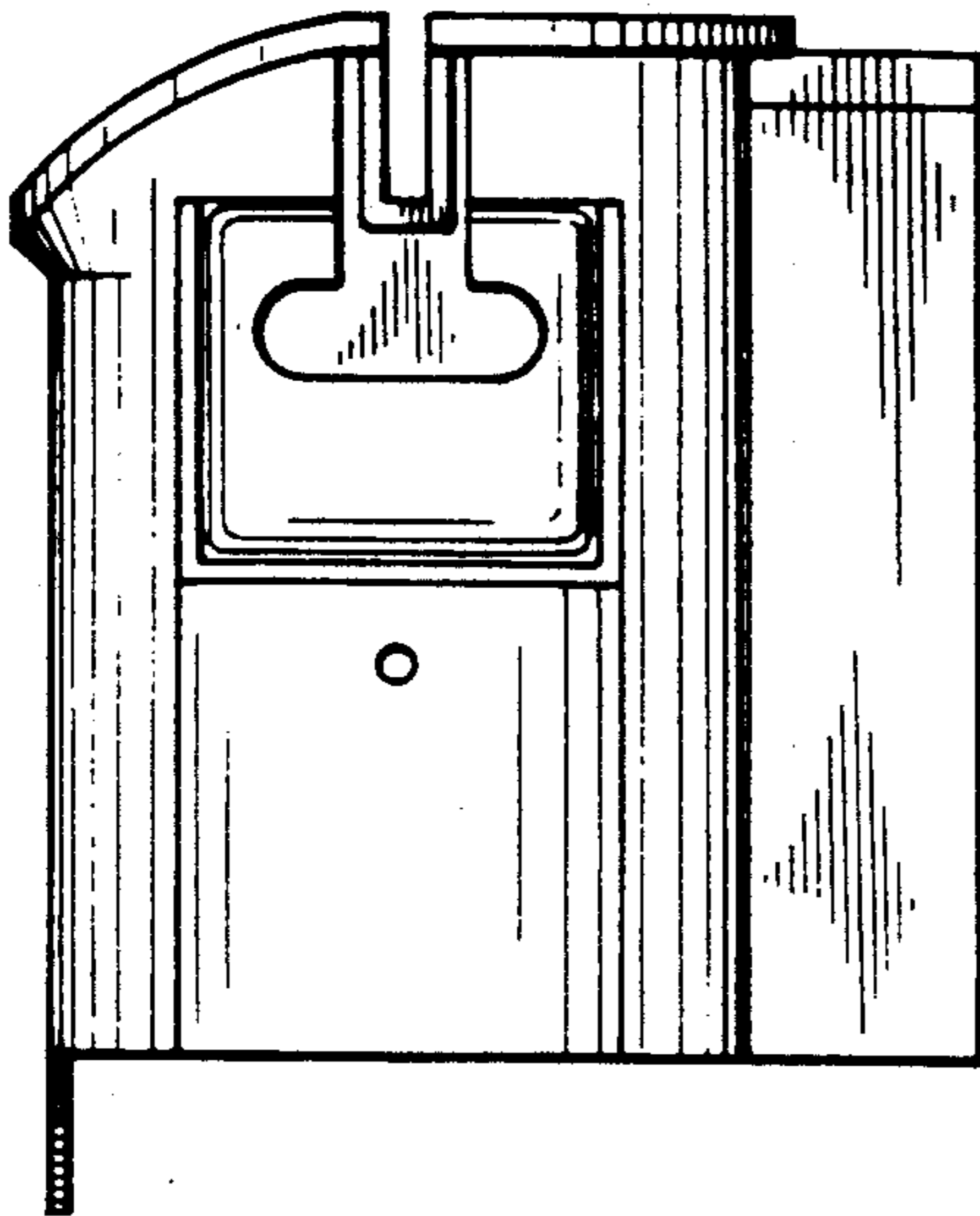


FIG. 4

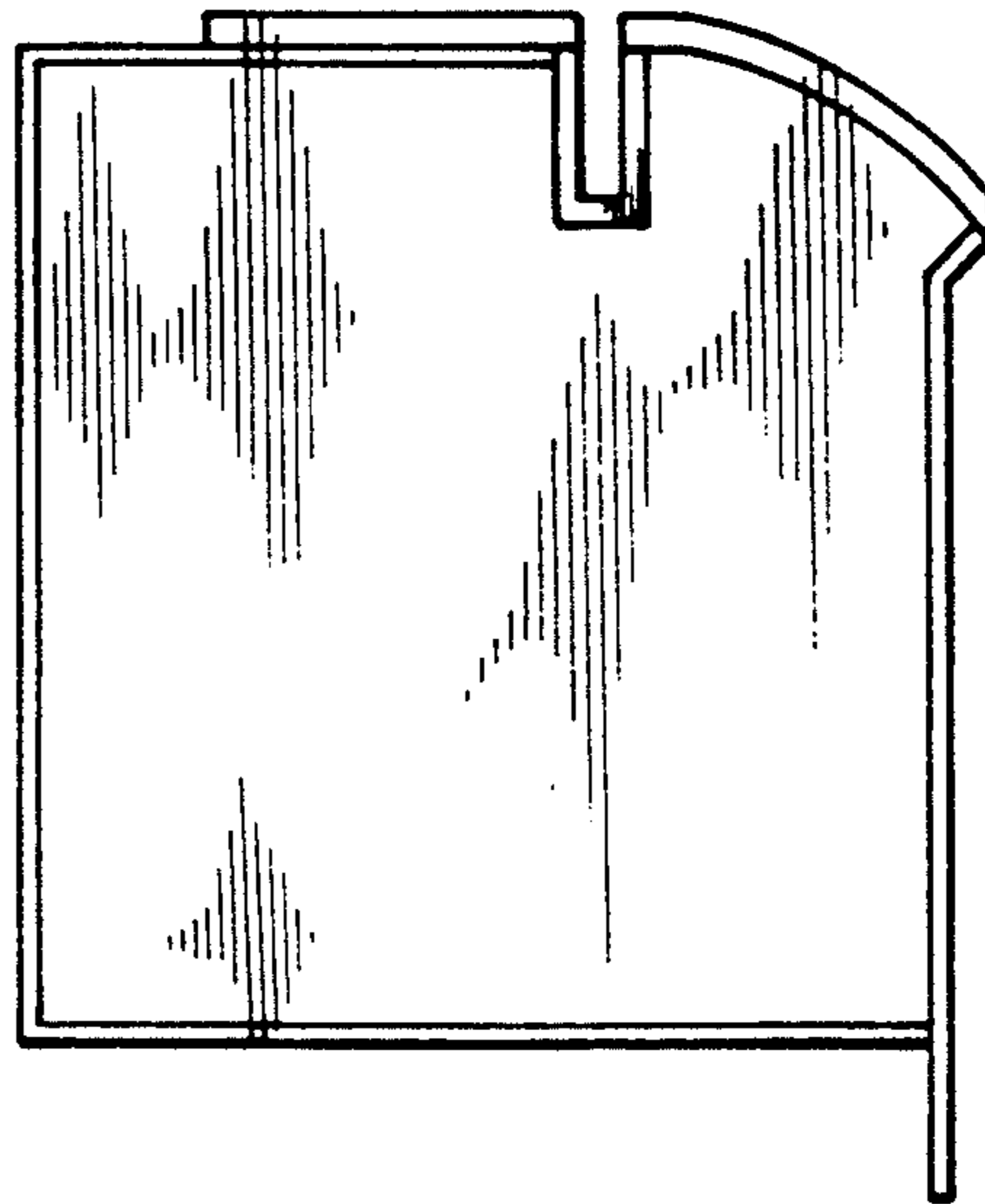


FIG. 5

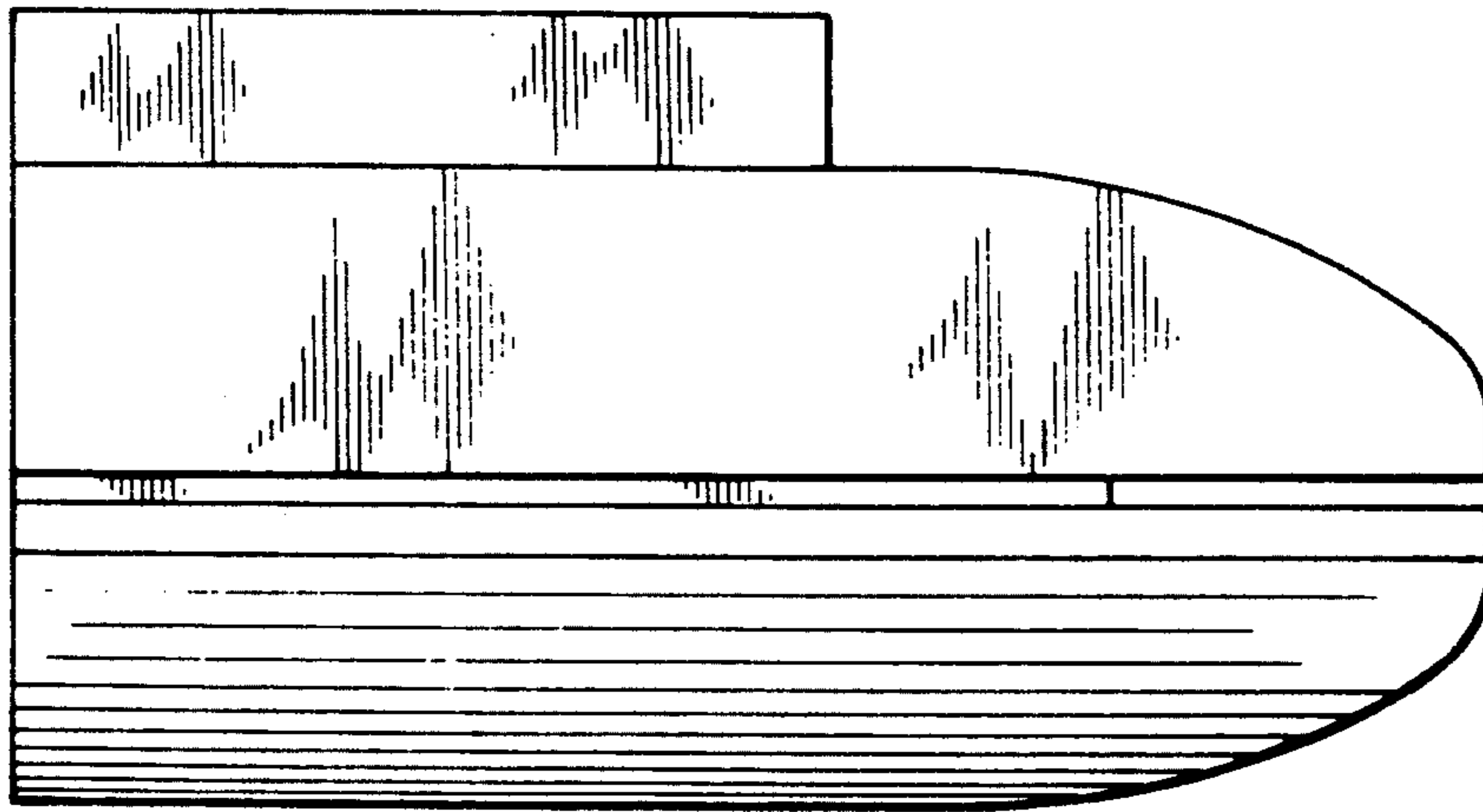


FIG. 6

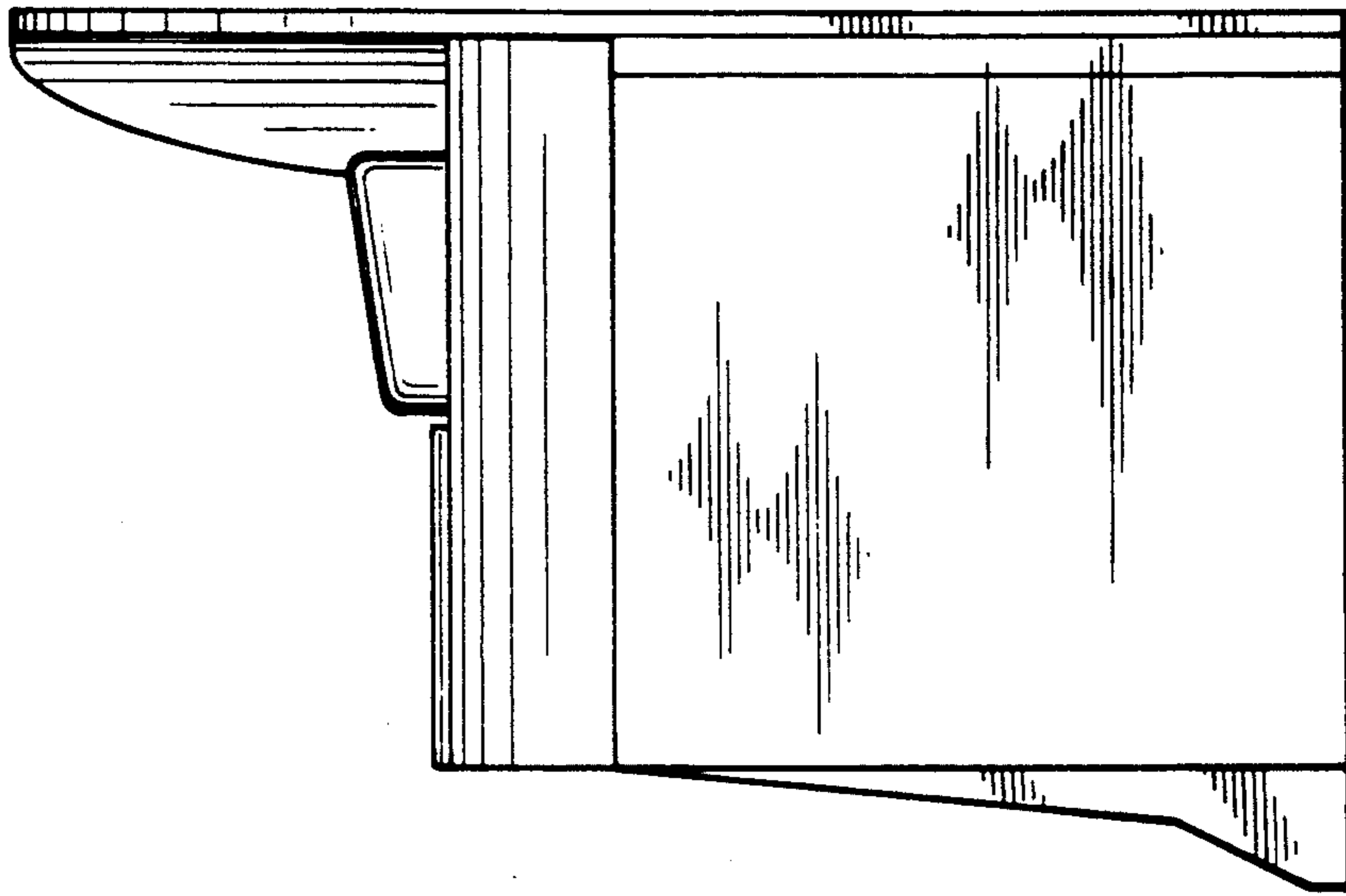


FIG. 7

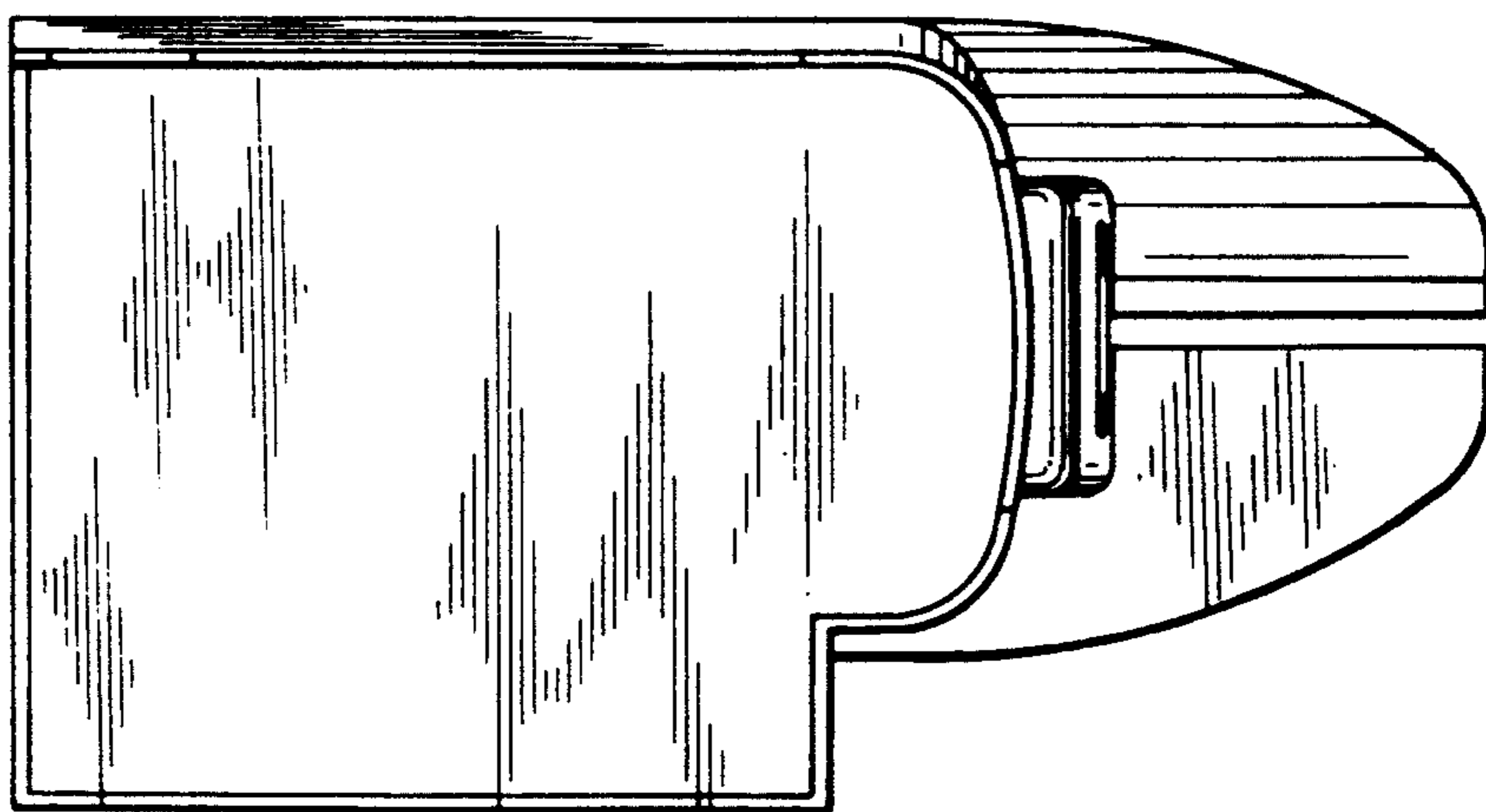


FIG. 8

