



US00D344383S

# United States Patent [19]

[11] Patent Number: **Des. 344,383**

Ek

[45] Date of Patent: **\*\* Feb. 15, 1994**

[54] **GARDEN CADDY**

3,894,748 7/1975 Ratcliff ..... D34/21  
4,350,366 9/1982 Helms ..... 280/47.35

[76] Inventor: **J. Edwin Ek**, 5161 S. Marion, Tulsa, Okla. 75135

*Primary Examiner*—Kay H. Chin  
*Attorney, Agent, or Firm*—Catalano, Zingerman & McKay

[\*\*] Term: **14 Years**

[21] Appl. No.: **878,883**

### [57] CLAIM

[22] Filed: **May 4, 1992**

The ornamental design for a garden caddy, as shown and described.

[52] U.S. Cl. .... **D34/25; D34/24**

[58] Field of Search ..... 280/47.35, 47.36, 47.24; D34/12, 17, 24, 25, 26, 21

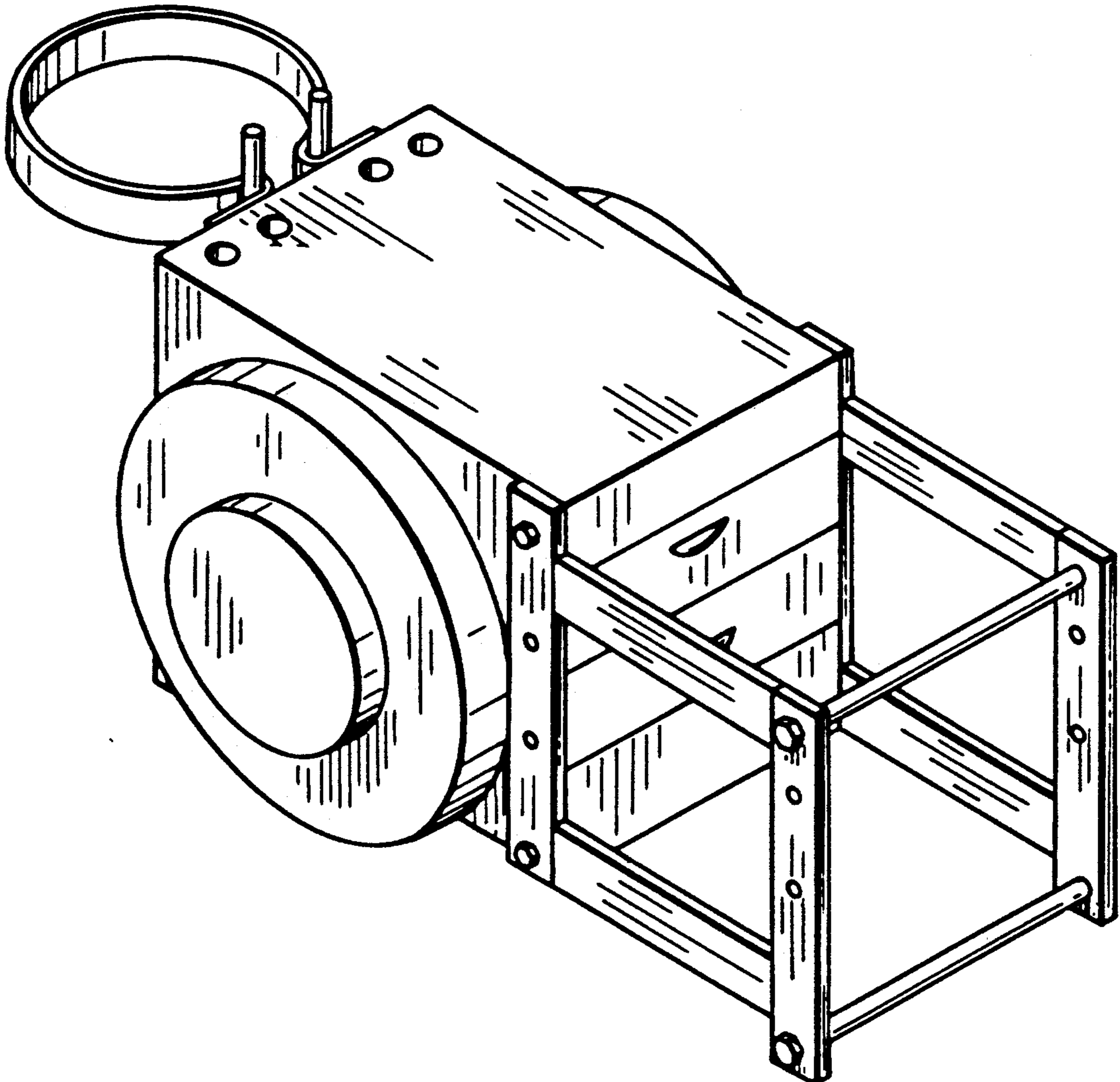
### DESCRIPTION

### [56] References Cited

#### U.S. PATENT DOCUMENTS

D. 260,753	9/1981	Partain	.....	D34/24
D. 328,811	8/1992	Streeter	.....	D34/24
D. 332,682	1/1993	Staab	.....	D34/17
3,479,048	11/1969	Carlson	.....	280/47.26
3,759,538	9/1973	Fabiano	.....	280/47.35
3,875,981	4/1975	Brenner et al.	.....	D34/24

FIG. 1 is a front elevational view of the garden caddy showing my new design;  
FIG. 2 is a rear elevational view thereof;  
FIG. 3 is a right side elevational view thereof at a reduced scale, the left side elevational view being the mirror opposite thereto;  
FIG. 4 is a top plan view thereof at the same scale as FIG. 3; and,  
FIG. 5 is a perspective view thereof.



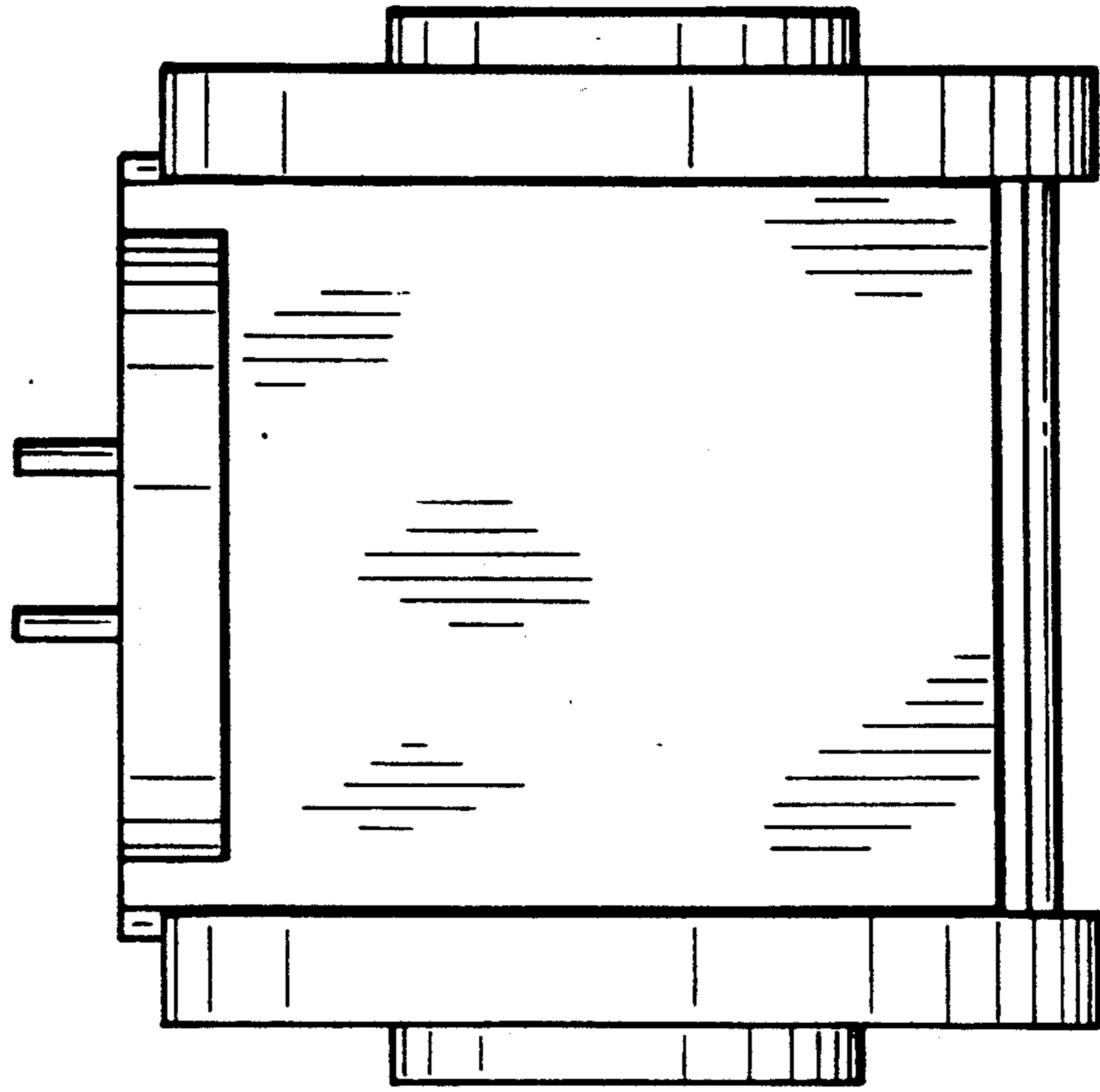


Fig. 1

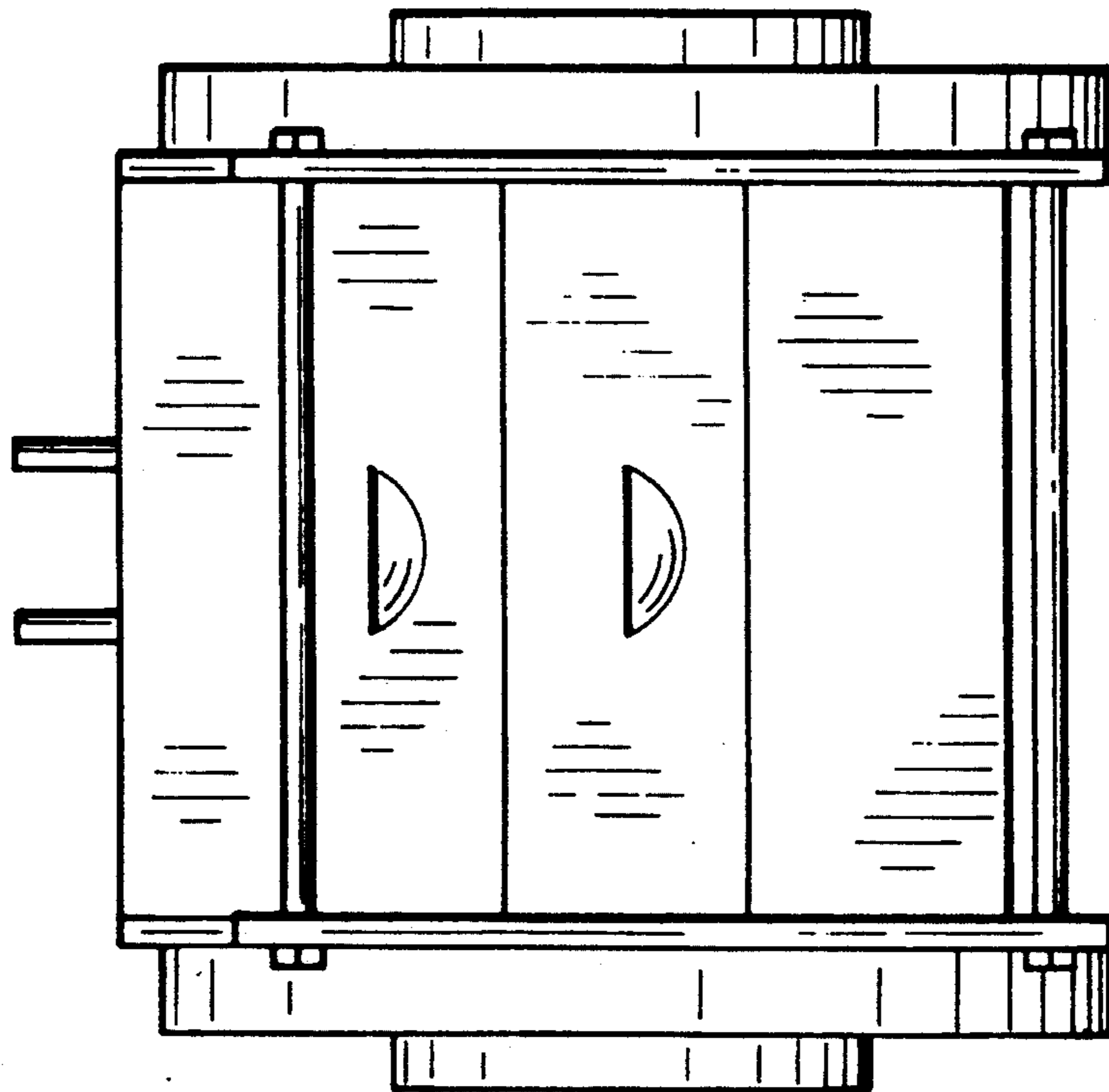


Fig. 2

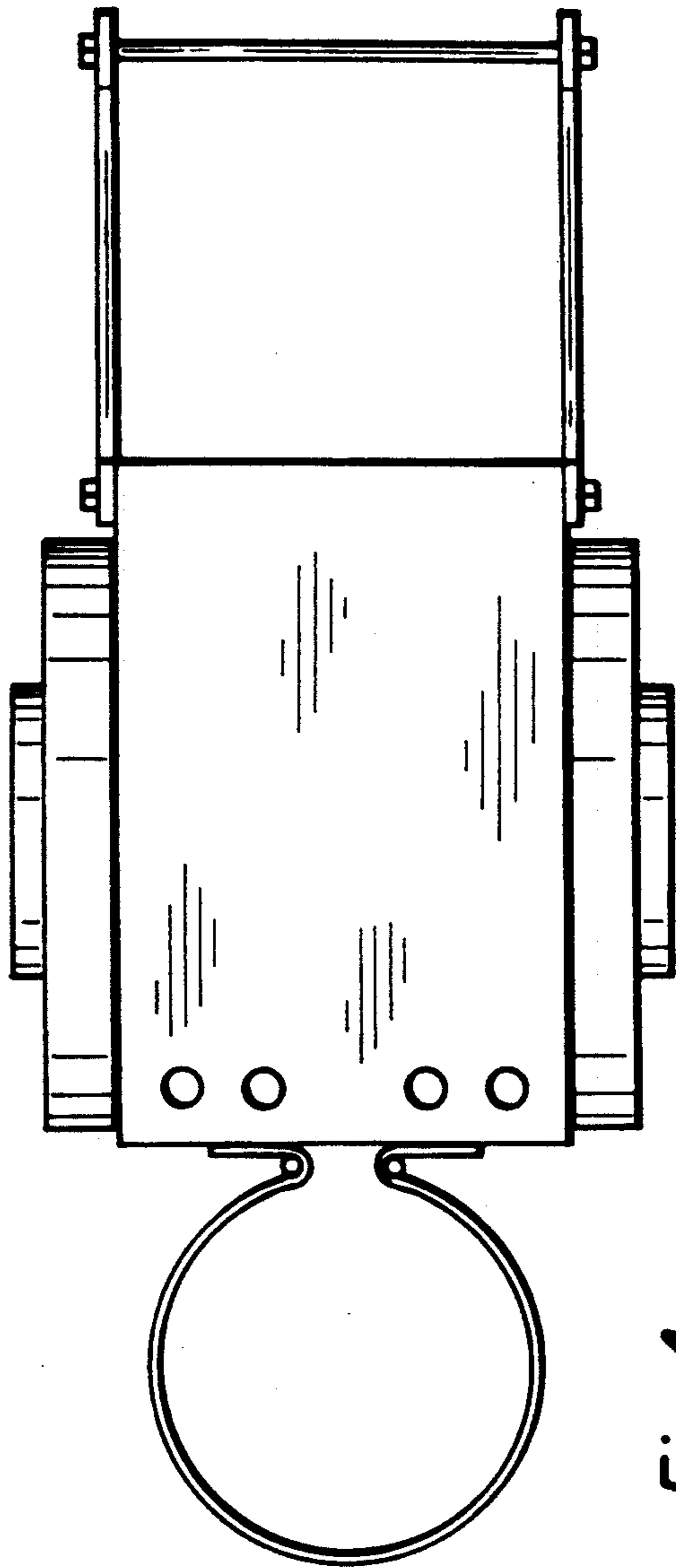


Fig. 4

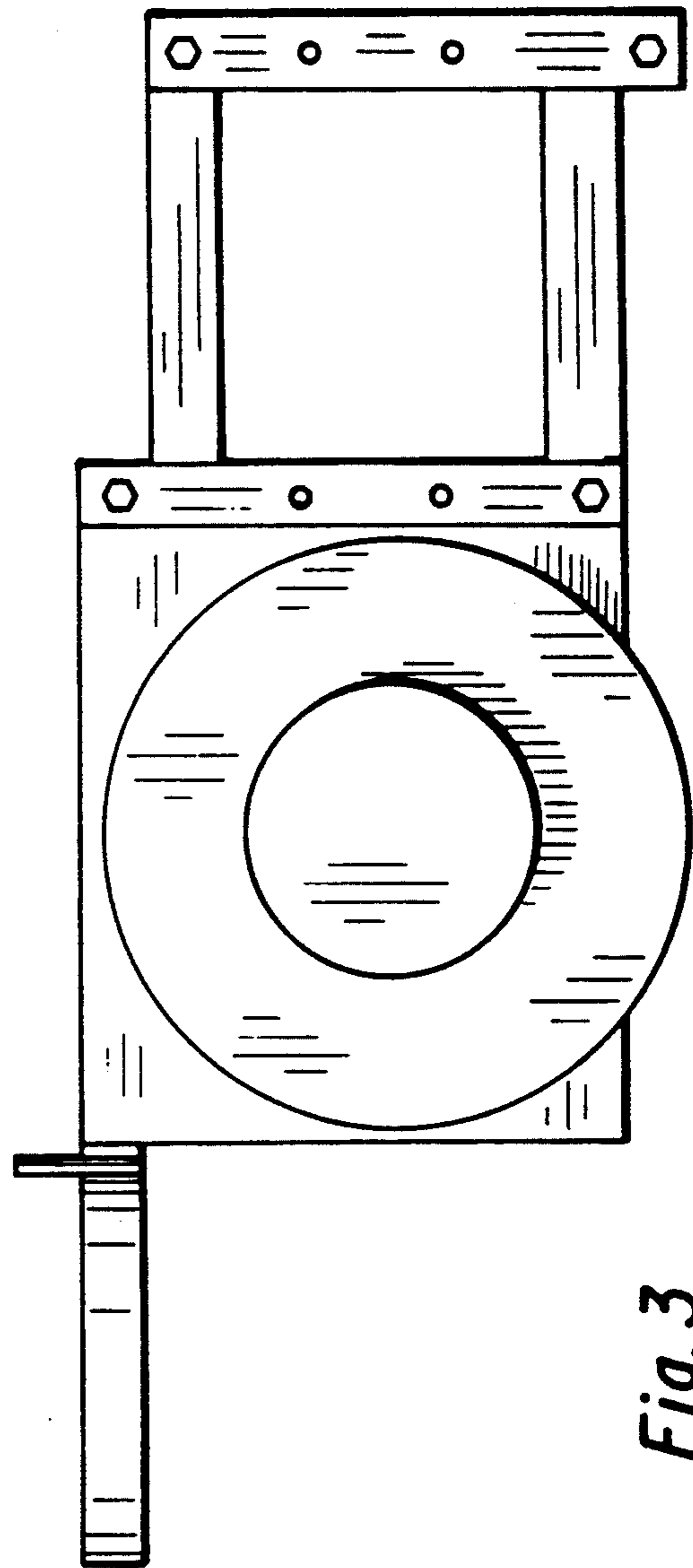


Fig. 3

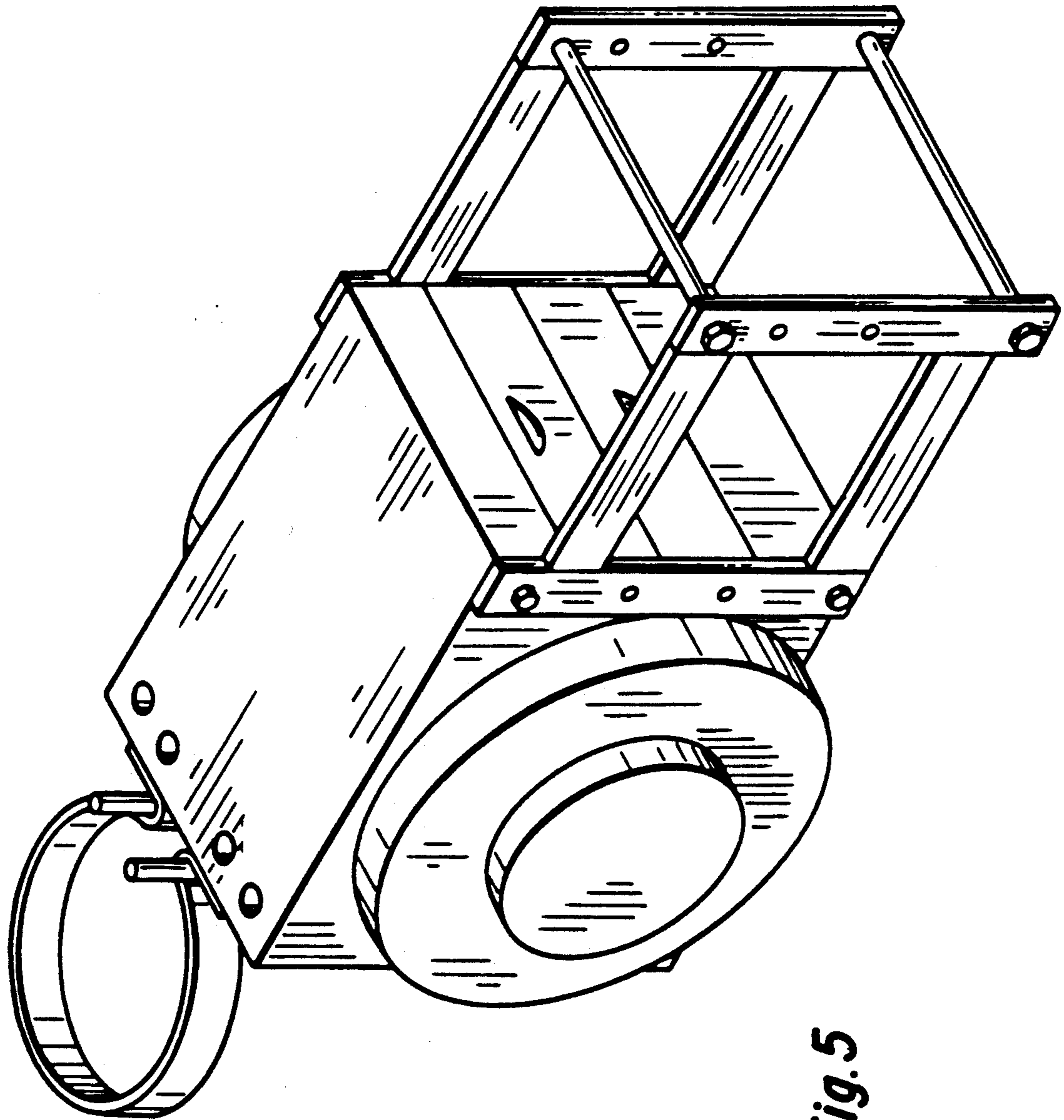


Fig. 5