



US00D344379S

# United States Patent [19]

[11] Patent Number: **Des. 344,379**

Clark, Jr.

[45] Date of Patent: **\*\* Feb. 15, 1994**

[54] **COMBINED PORTABLE MOP BUCKET AND COVER WITH WRINGER**

3,383,732 5/1968 James et al. .... 15/260  
4,713,859 12/1987 Smith, Jr. .... 15/264

[75] Inventor: **Frank T. Clark, Jr., Girard, Pa.**

*Primary Examiner*—Wallace R. Burke  
*Assistant Examiner*—Robin Taylor  
*Attorney, Agent, or Firm*—Lovercheck and Lovercheck

[73] Assignee: **Emsco, Inc., Girard, Pa.**

[\*\*] Term: **14 Years**

[57] **CLAIM**

[21] Appl. No.: **900,105**

The ornamental design for a combined portable mop bucket and cover with wringer, as shown and described.

[22] Filed: **Jun. 17, 1992**

[52] U.S. Cl. .... **D32/53**

**DESCRIPTION**

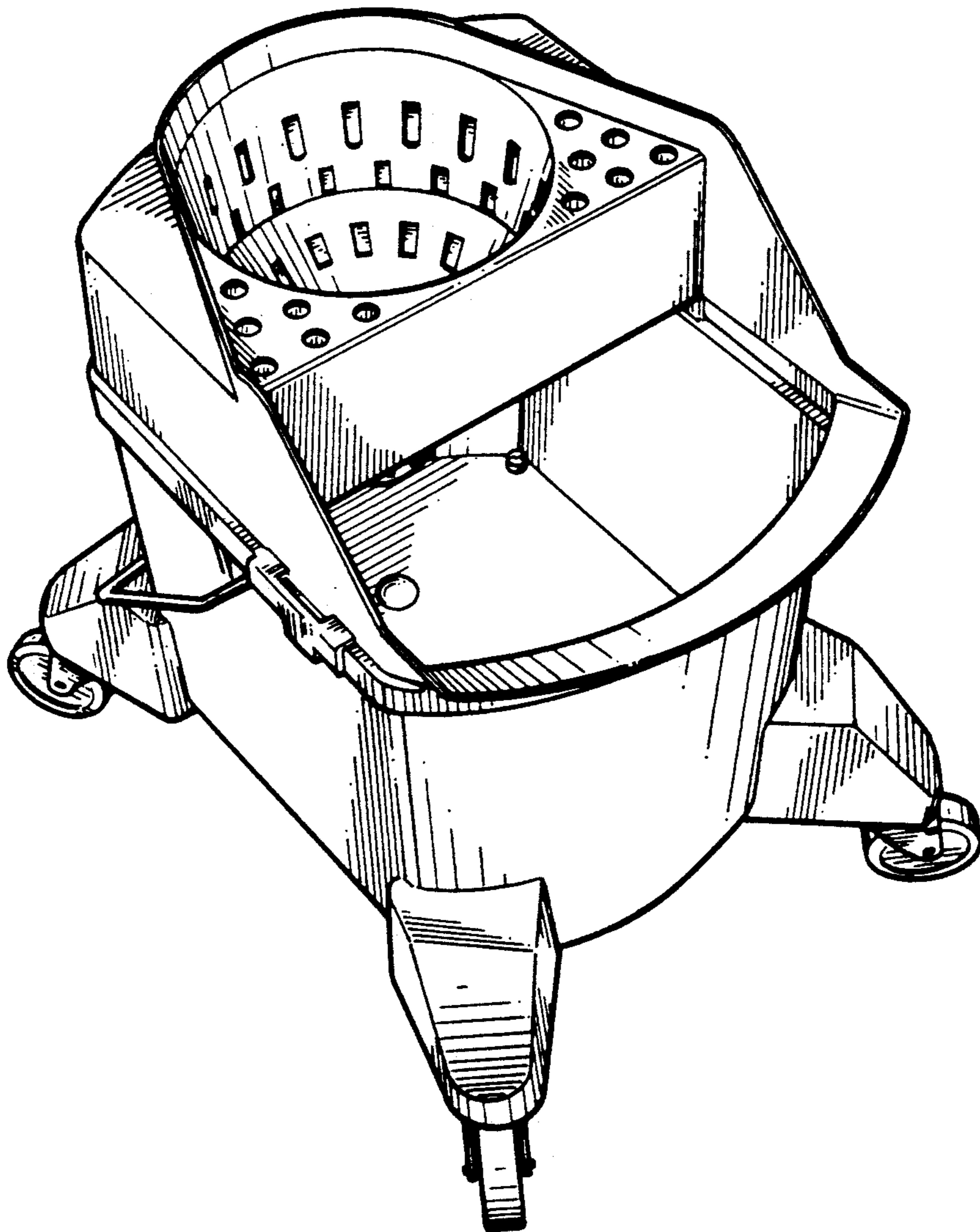
[58] Field of Search ..... 248/128, 129; 15/260,  
15/262, 264; D32/53

FIG. 1 is a perspective view of the combined portable mop bucket and cover with wringer;  
FIG. 2 is a side view with the opposite side being the mirror image thereof;  
FIG. 3 is a front view thereof;  
FIG. 4 is a top view thereof; and,  
FIG. 5 is a rear view thereof.

[56] **References Cited**

**U.S. PATENT DOCUMENTS**

D. 216,277 12/1969 James ..... D32/53  
D. 222,684 11/1971 Tarrasa ..... D32/53



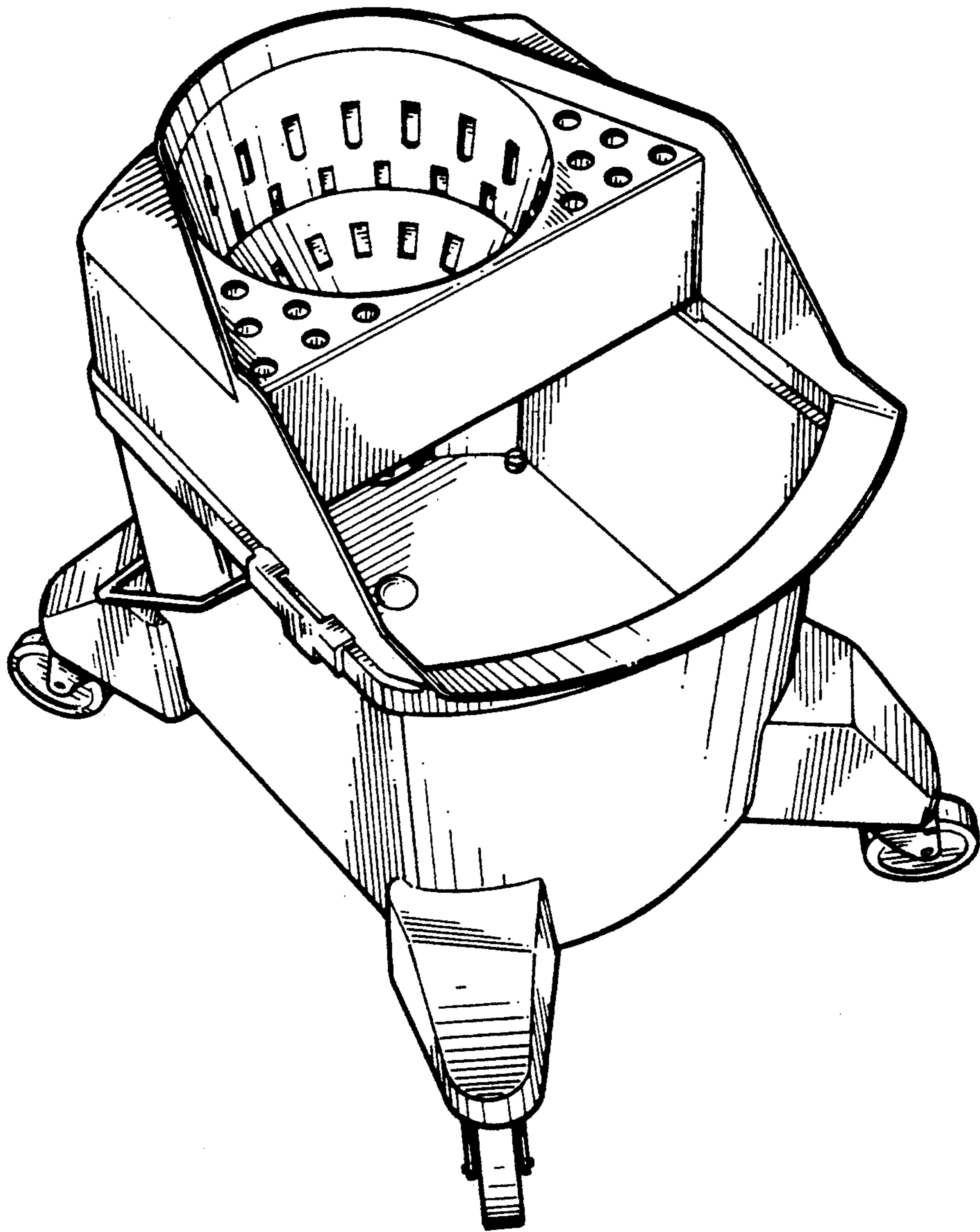


FIG. 1

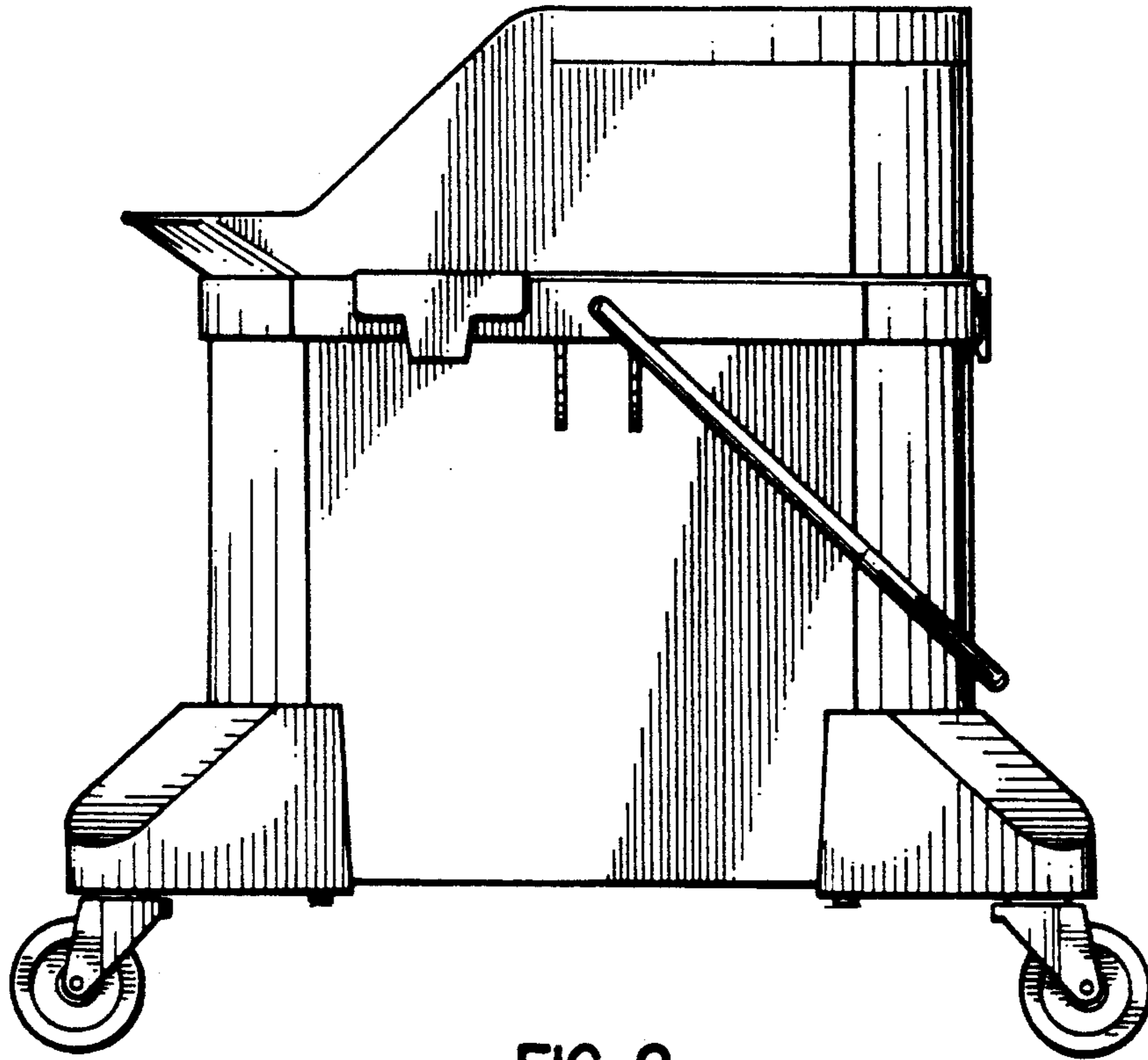


FIG. 2

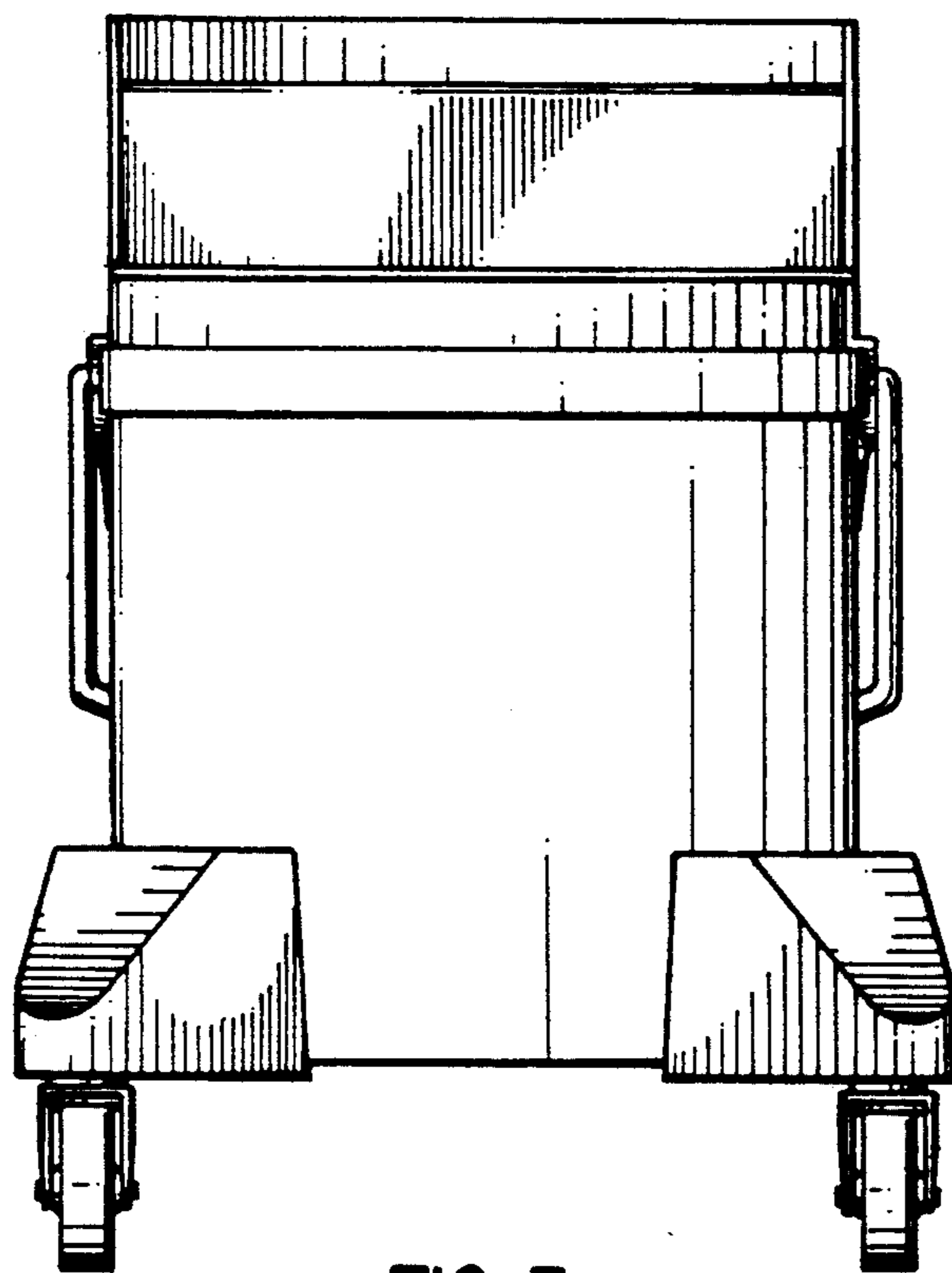


FIG. 3

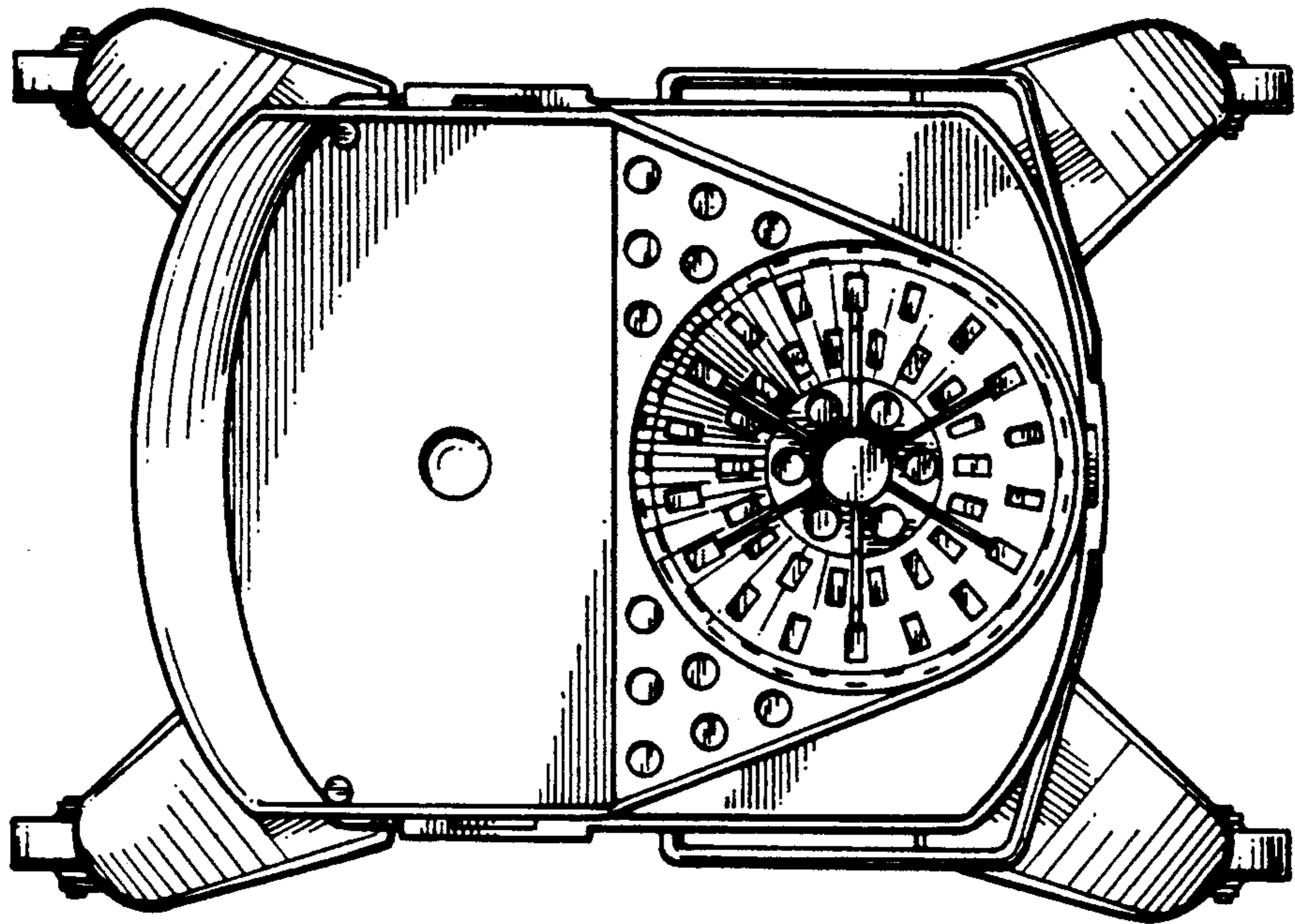


FIG. 4

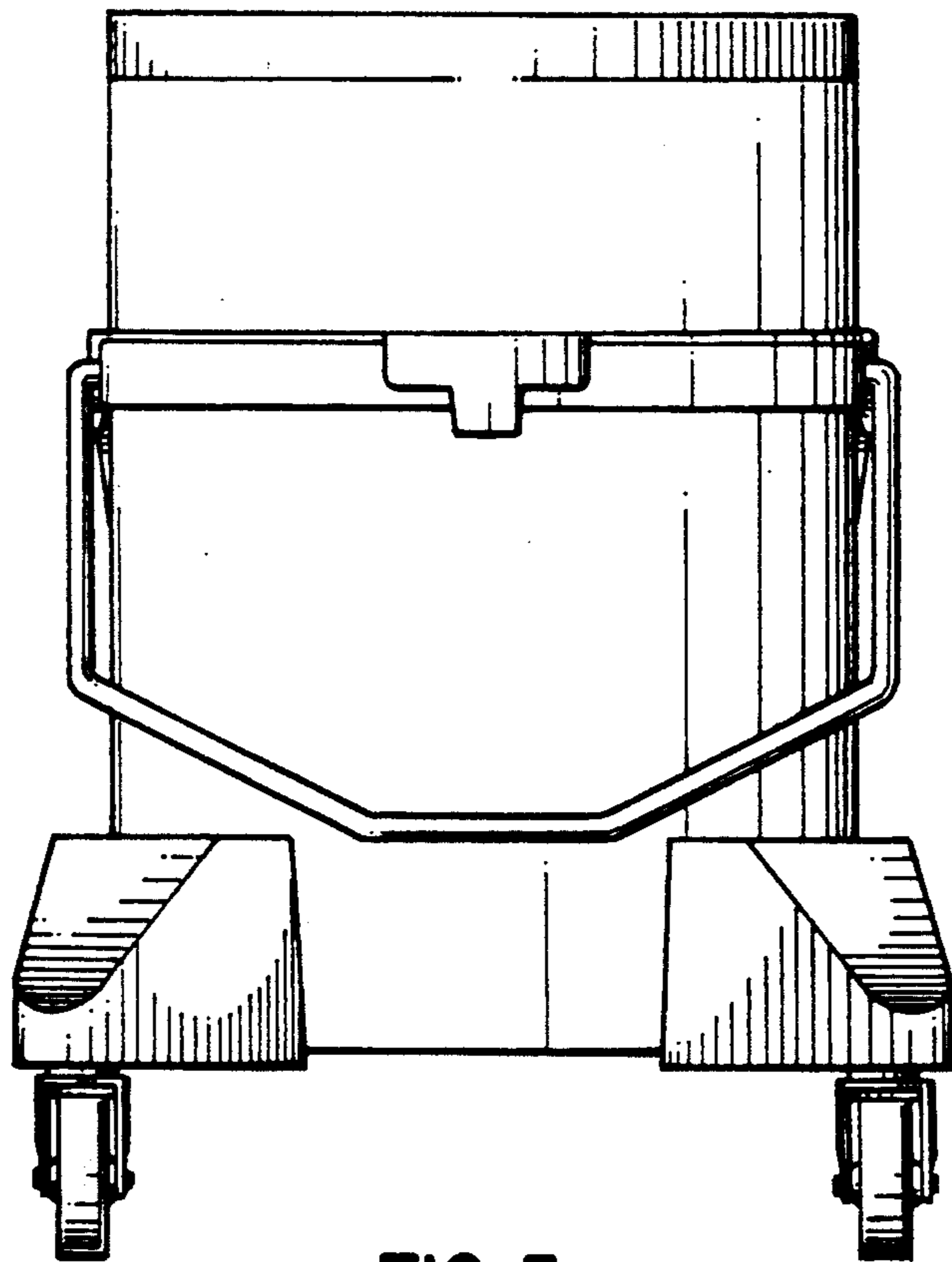


FIG. 5