



US00D344377S

United States Patent [19]

[11] Patent Number: **Des. 344,377**

Thomas

[45] Date of Patent: **** Feb. 15, 1994**

[54] **COMBINED VACUUM CLEANER AND WASHER FOR CLEANING FLOORS**

D. 208,529	9/1967	Schoettler	D32/24
D. 276,944	12/1984	Parker et al.	D32/24
D. 288,972	3/1987	Morioka et al.	D32/24
D. 289,097	3/1987	Takahashi et al.	D32/24
D. 318,544	7/1991	Schoettler	D32/24

[75] Inventor: **Gilbert A. P. Thomas, Soliers, France**

[73] Assignee: **Moulinex Societe Anonyme, Bagnolet, France**

Primary Examiner—Ruth McInroy
Attorney, Agent, or Firm—Young & Thompson

[**] Term: **14 Years**

[57] **CLAIM**

[21] Appl. No.: **898,406**

The ornamental design for a combined vacuum cleaner and washer for cleaning floors, as shown.

[22] Filed: **Jun. 15, 1992**

DESCRIPTION

[30] **Foreign Application Priority Data**

Dec. 18, 1991 [FR] France 918006

[52] U.S. Cl. **D32/23**

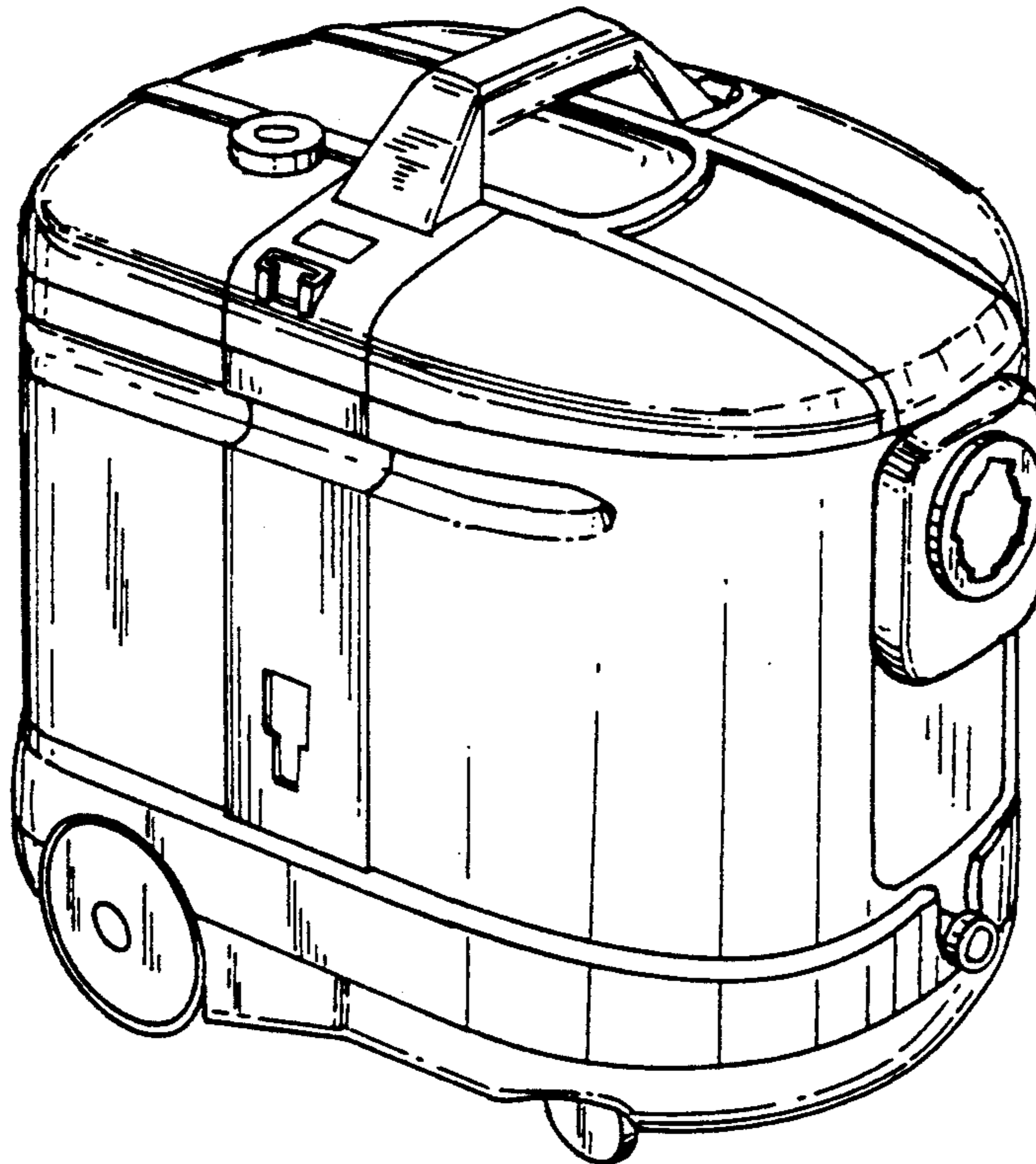
[58] Field of Search 15/320-321,
15/323, 327.1-327.2, 327.4-327.7, 347,
352-353, 412; D32/1, 21, 23-24, 31

FIG. 1 is a perspective view of a combined vacuum cleaner and washer for cleaning floors showing my new design;
FIG. 2 is a front elevational view thereof;
FIG. 3 is a rear elevational view thereof;
FIG. 4 is a side elevational view thereof from the left of FIG. 1;
FIG. 5 is a side elevational view thereof from the right of FIG. 1;
FIG. 6 is a top plan view thereof; and,
FIG. 7 is a bottom plan view thereof.

[56] **References Cited**

U.S. PATENT DOCUMENTS

D. 183,192	7/1958	Sixten et al.	D32/24
D. 205,654	9/1966	Rogers et al.	D32/24



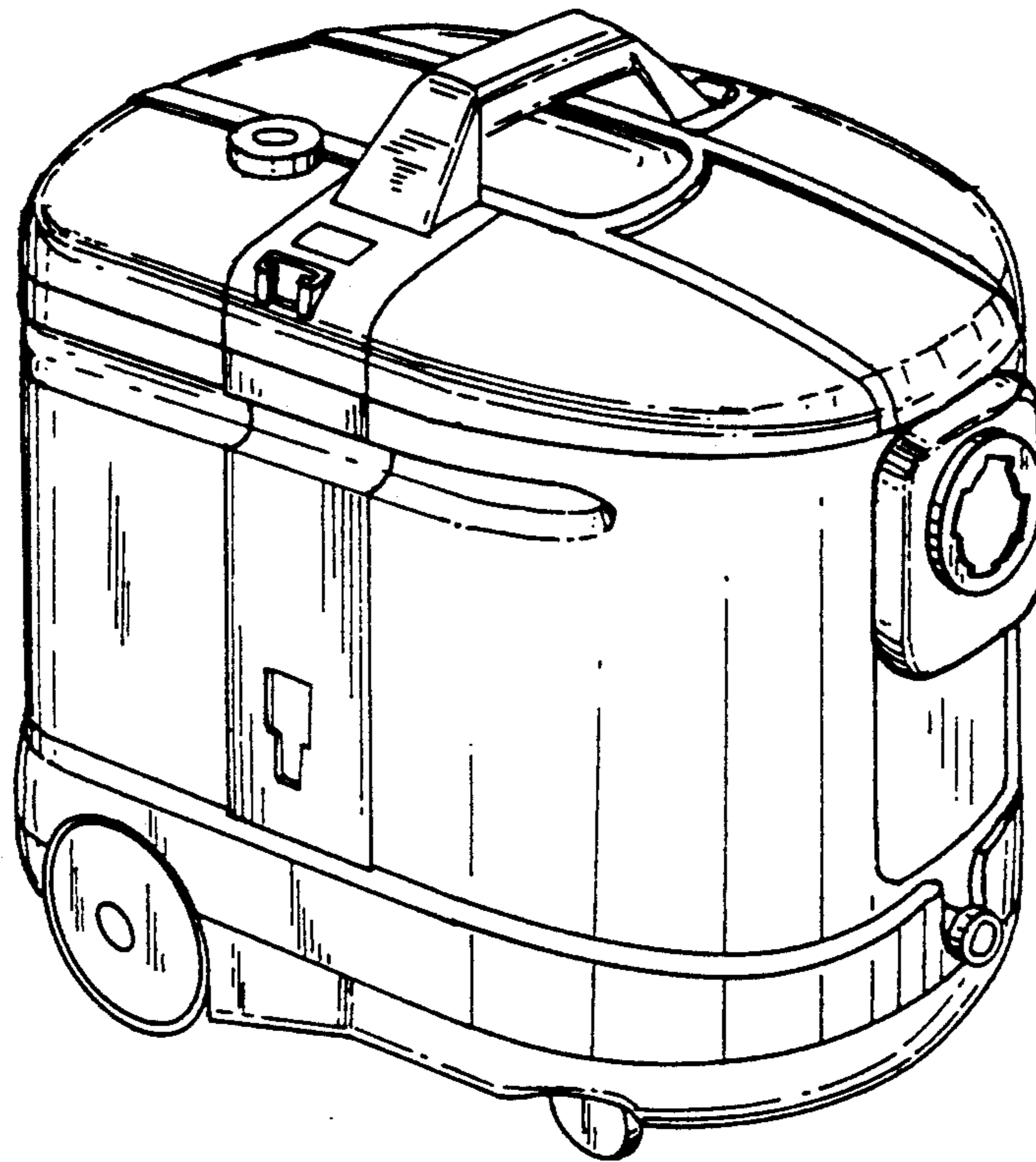


FIG. 1

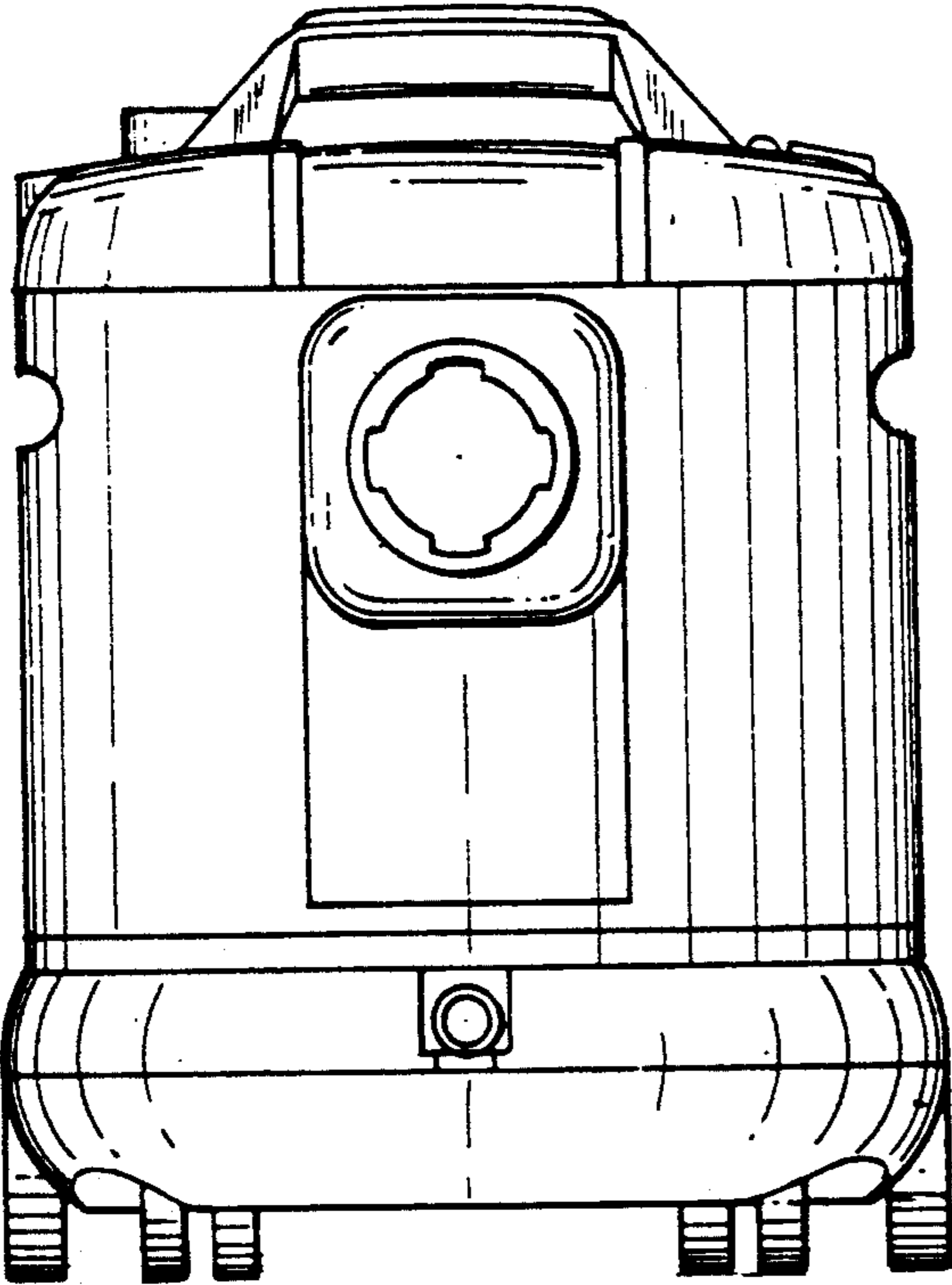
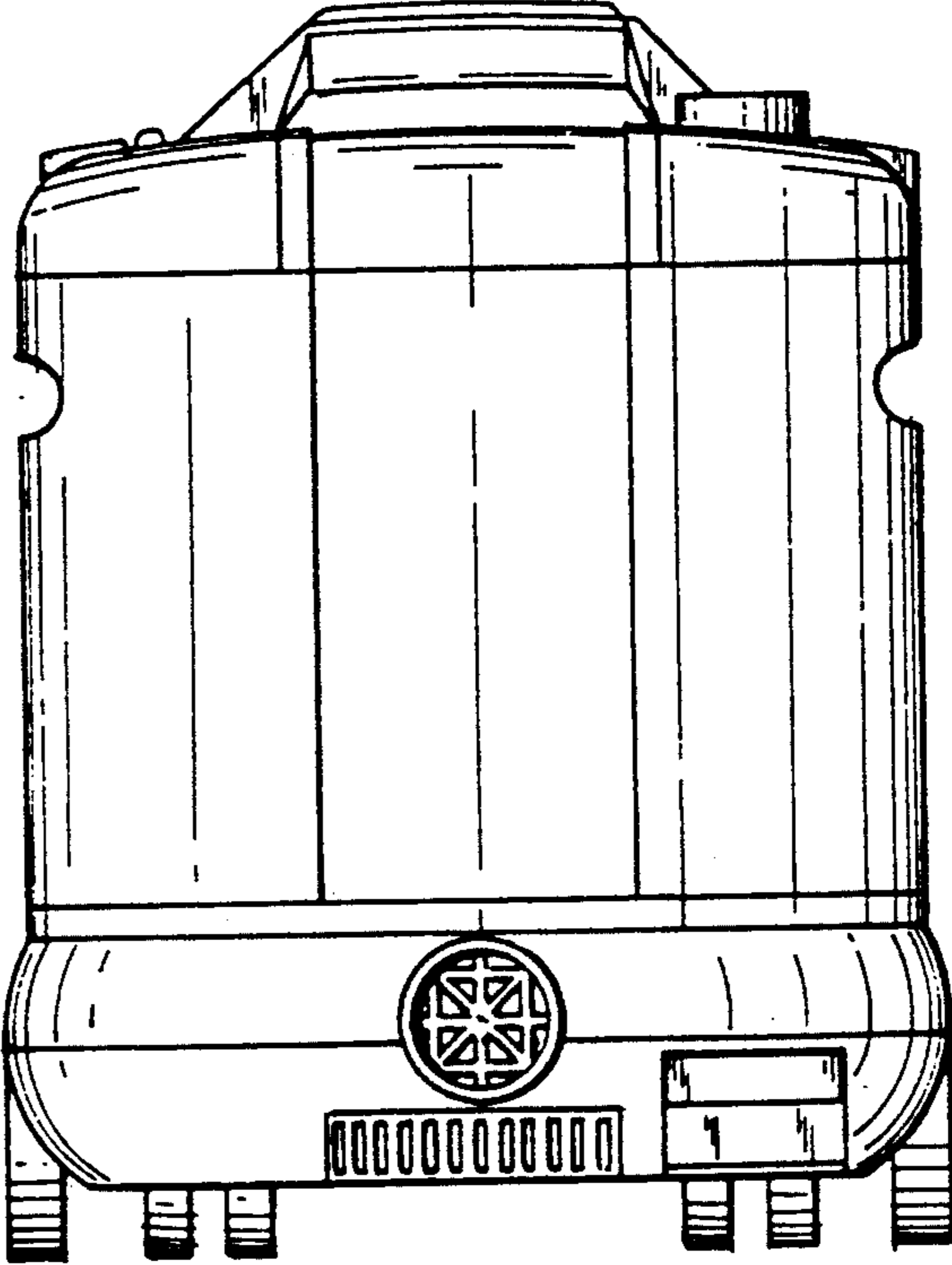


FIG. 2

FIG. 3



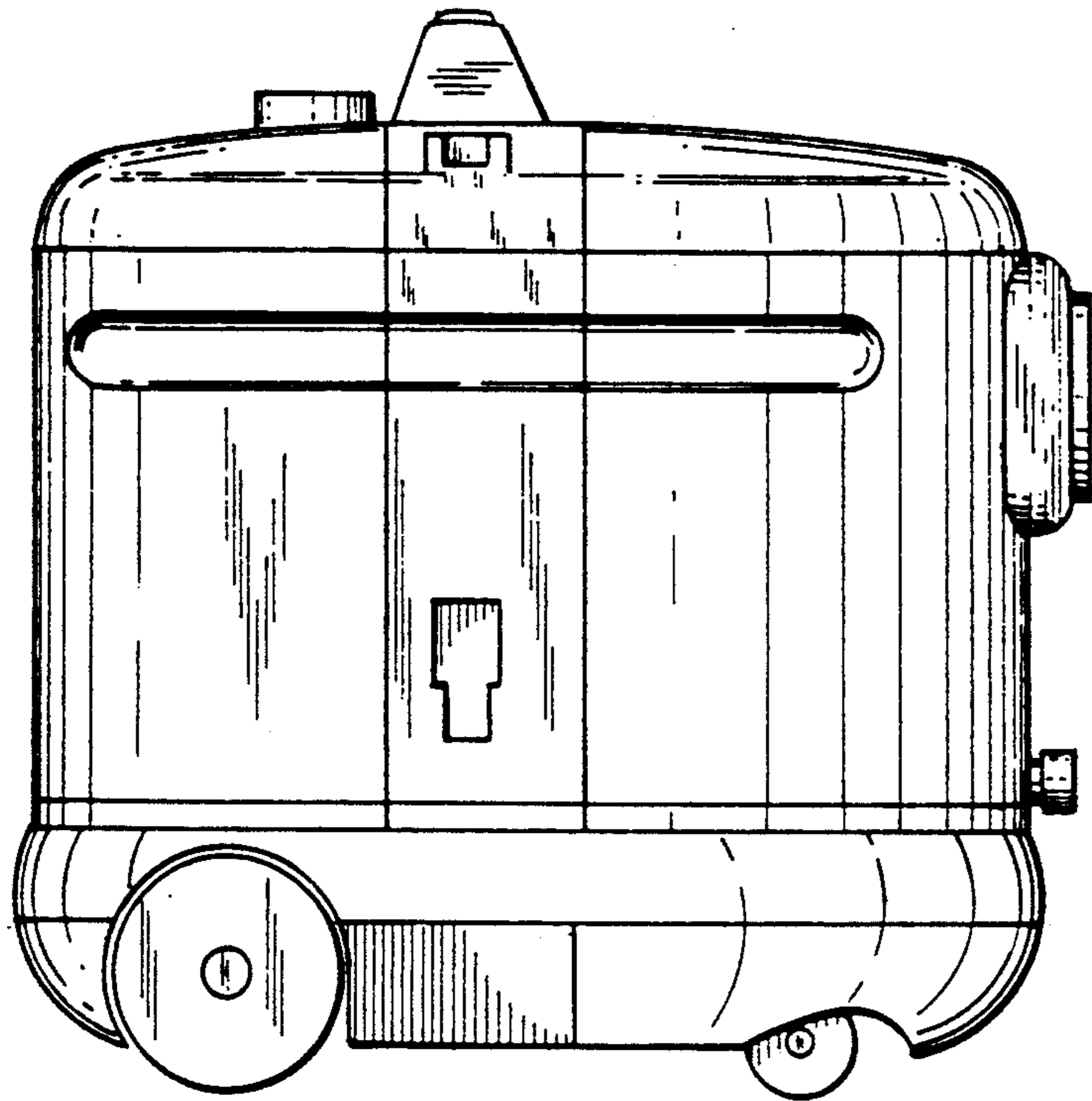
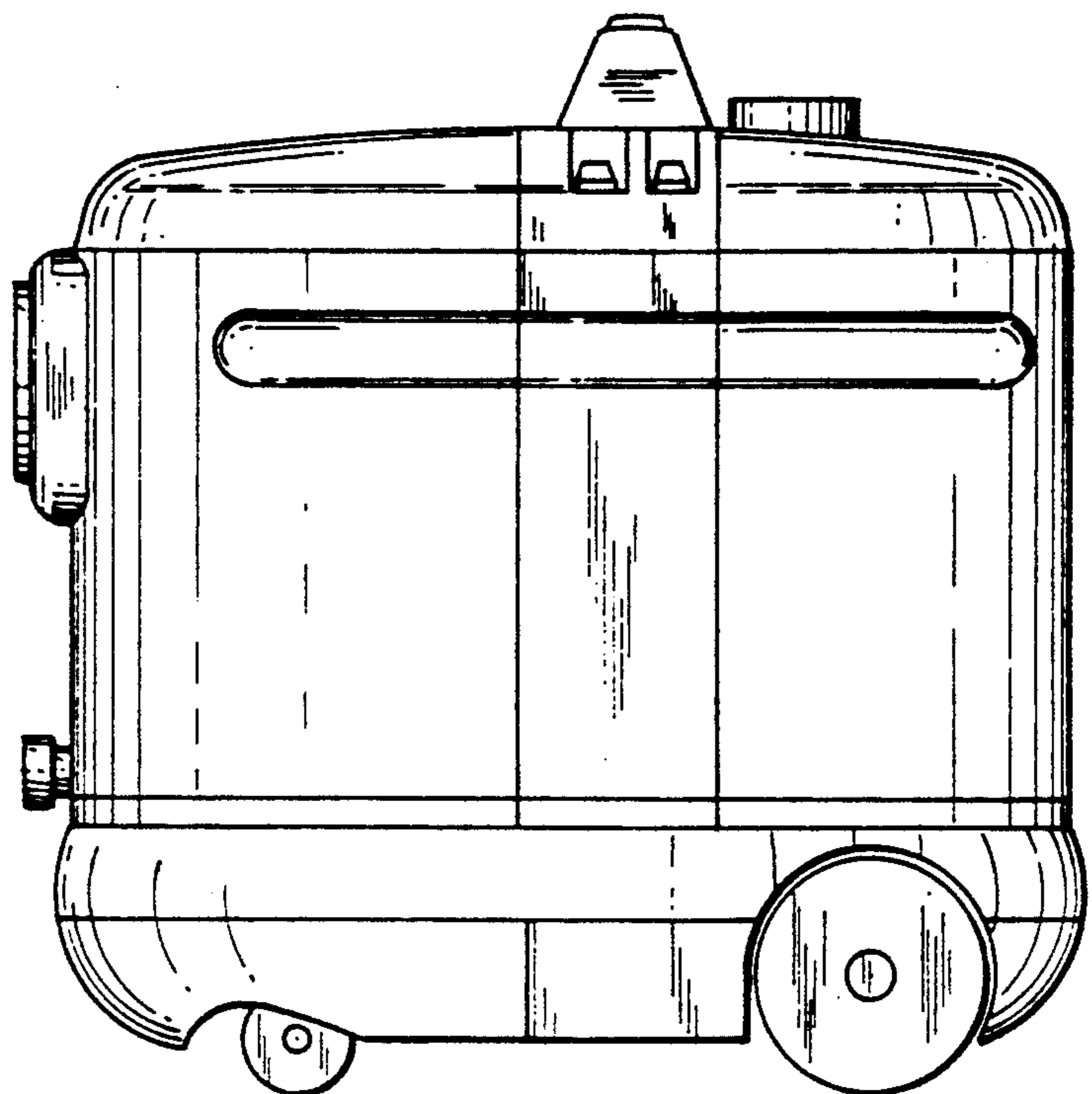


FIG. 4

FIG. 5



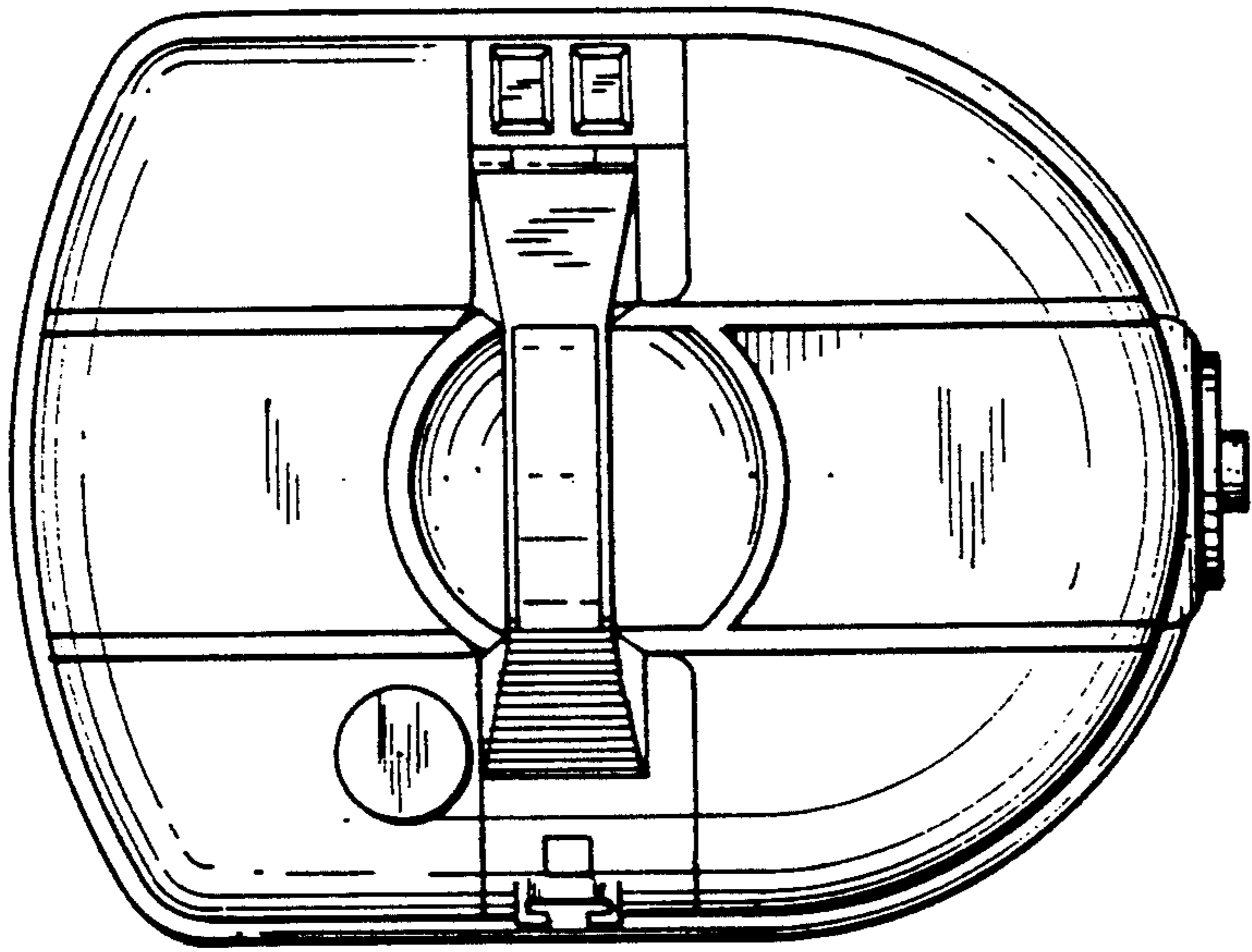


FIG. 6

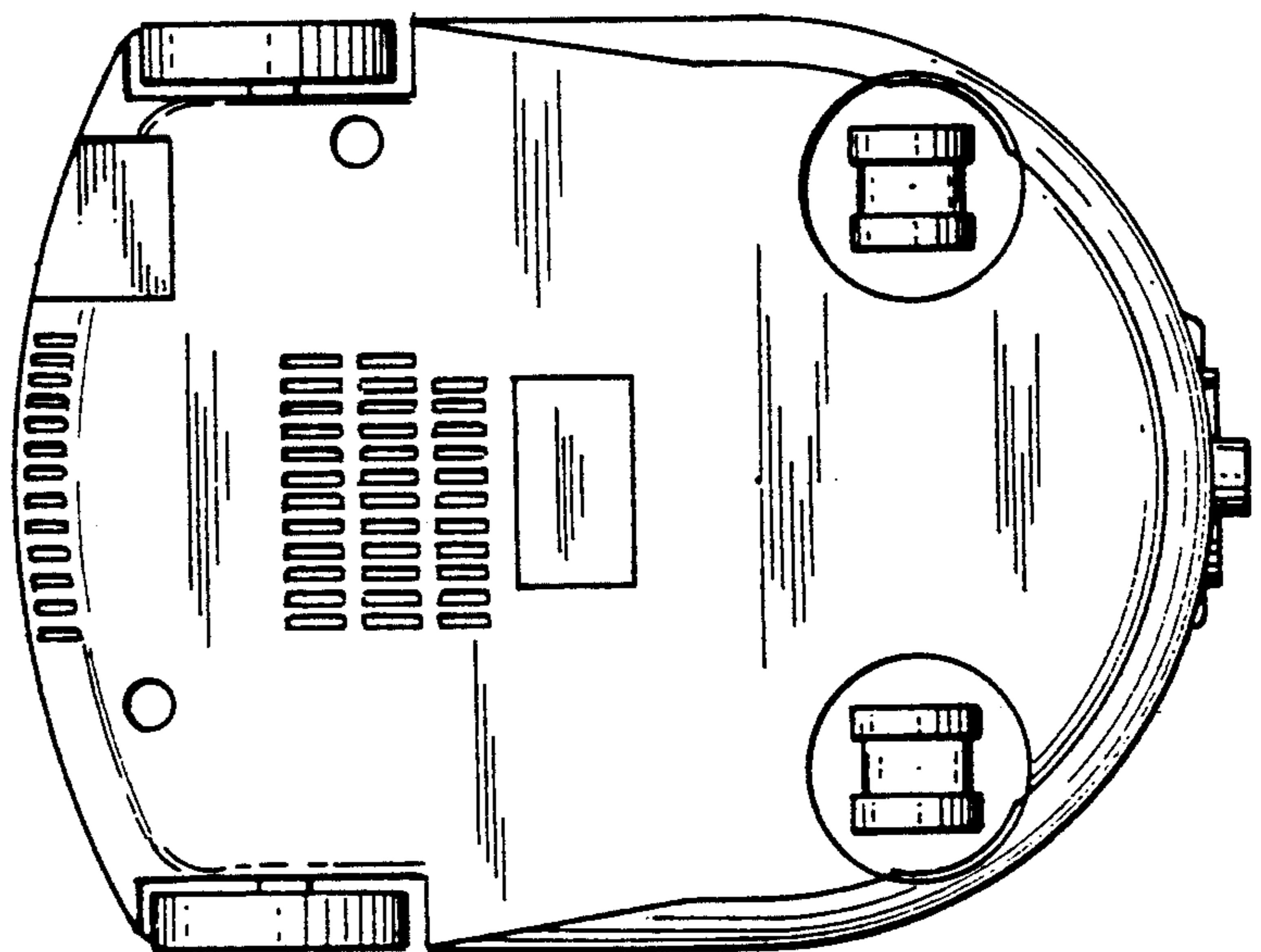


FIG. 7