



US00D344376S

United States Patent [19]

[11] Patent Number: **Des. 344,376**

Wörwag

[45] Date of Patent: **** Feb. 15, 1994**

[54] **VACUUM CLEANER**

[75] Inventor: **Peter Wörwag**, Romanshorn, Switzerland

[73] Assignee: **Firma Fedag**, Romanshorn, Switzerland

[**] Term: **14 Years**

[21] Appl. No.: **894,783**

[22] Filed: **Jun. 4, 1992**

[30] **Foreign Application Priority Data**

Jan. 29, 1992 [DE] Fed. Rep. of Germany M 92 00 669.8

[52] U.S. Cl. **D32/23**

[58] Field of Search 15/319-321, 15/323, 327.1-327.2, 327.4-327.7, 347, 352-353, 412; D32/1, 21, 23-24, 31

[56] **References Cited**

U.S. PATENT DOCUMENTS

D. 255,357 6/1980 Brooks et al. D32/23

D. 261,515	10/1981	Schaefer et al.	D32/23
D. 271,021	10/1983	Cyphert	D32/23
D. 280,168	9/1985	Ferraris et al.	D32/23
D. 312,336	11/1990	Boese	D32/21
D. 324,930	3/1992	Pino	D32/23
D. 335,555	5/1993	Reath	D32/21
4,809,396	3/1989	Hauser	15/320

Primary Examiner—Ruth McInroy
Attorney, Agent, or Firm—Robert W. Becker & Associates

[57] **CLAIM**

The ornamental design for a vacuum cleaner, as shown and described.

DESCRIPTION

FIG. 1 is a perspective view of my design for a vacuum cleaner;
FIG. 2 is a front view thereof;
FIG. 3 is a top view thereof;
FIG. 4 is a rear view thereof;
FIG. 5 is a bottom view thereof;
FIG. 6 is a right side view thereof; and,
FIG. 7 is a left side view thereof.

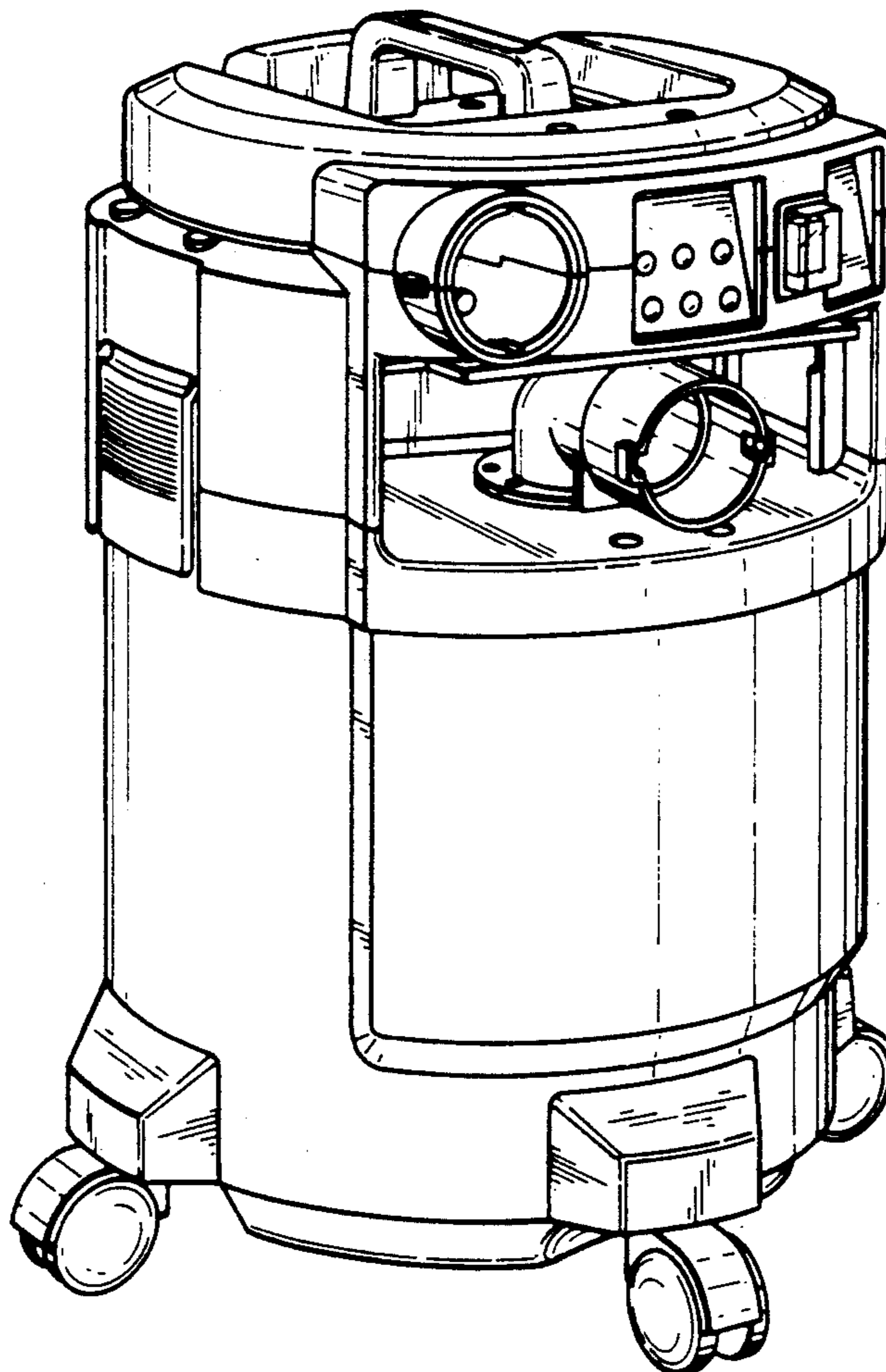


Fig. 1

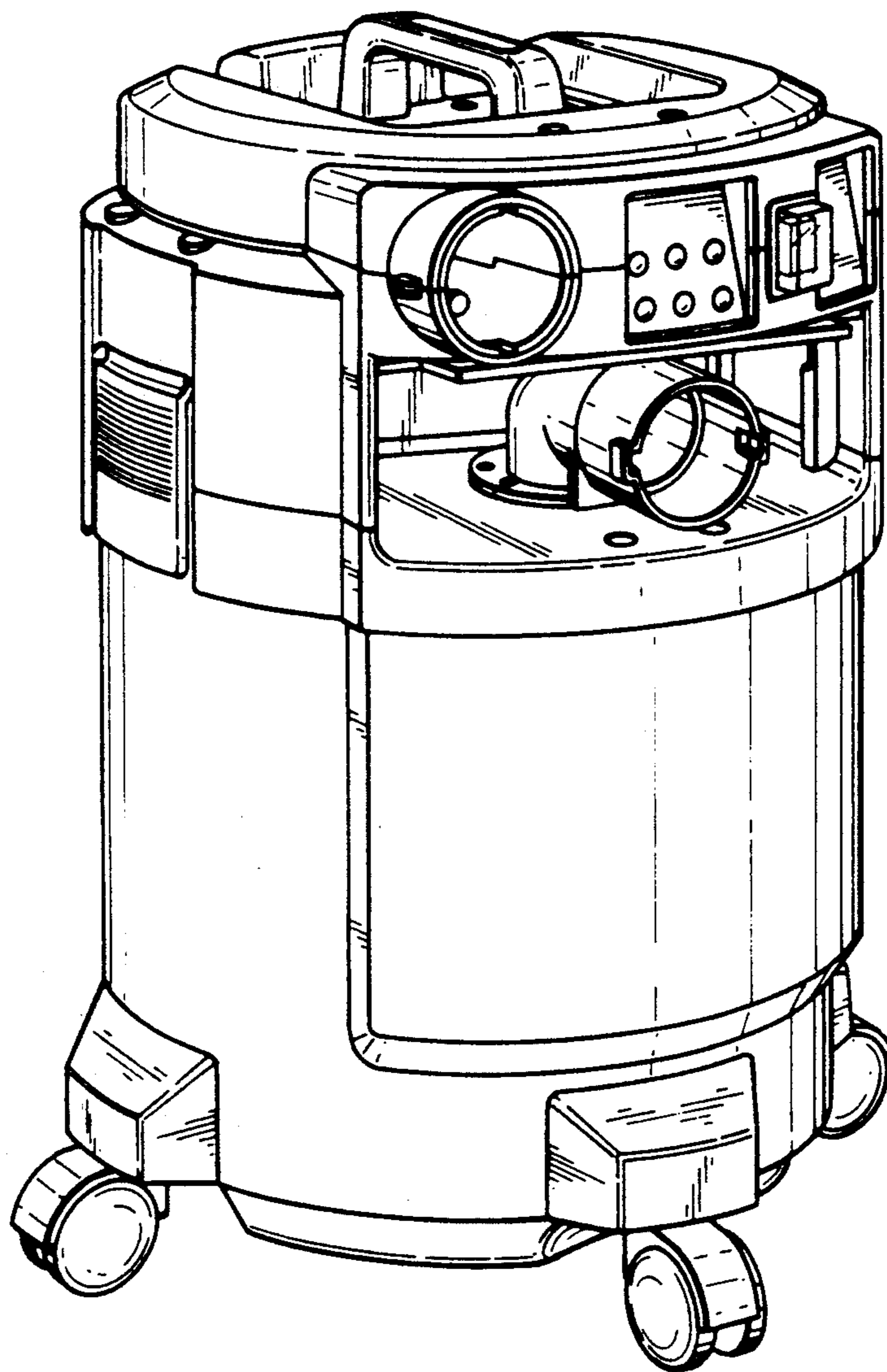


Fig. 3

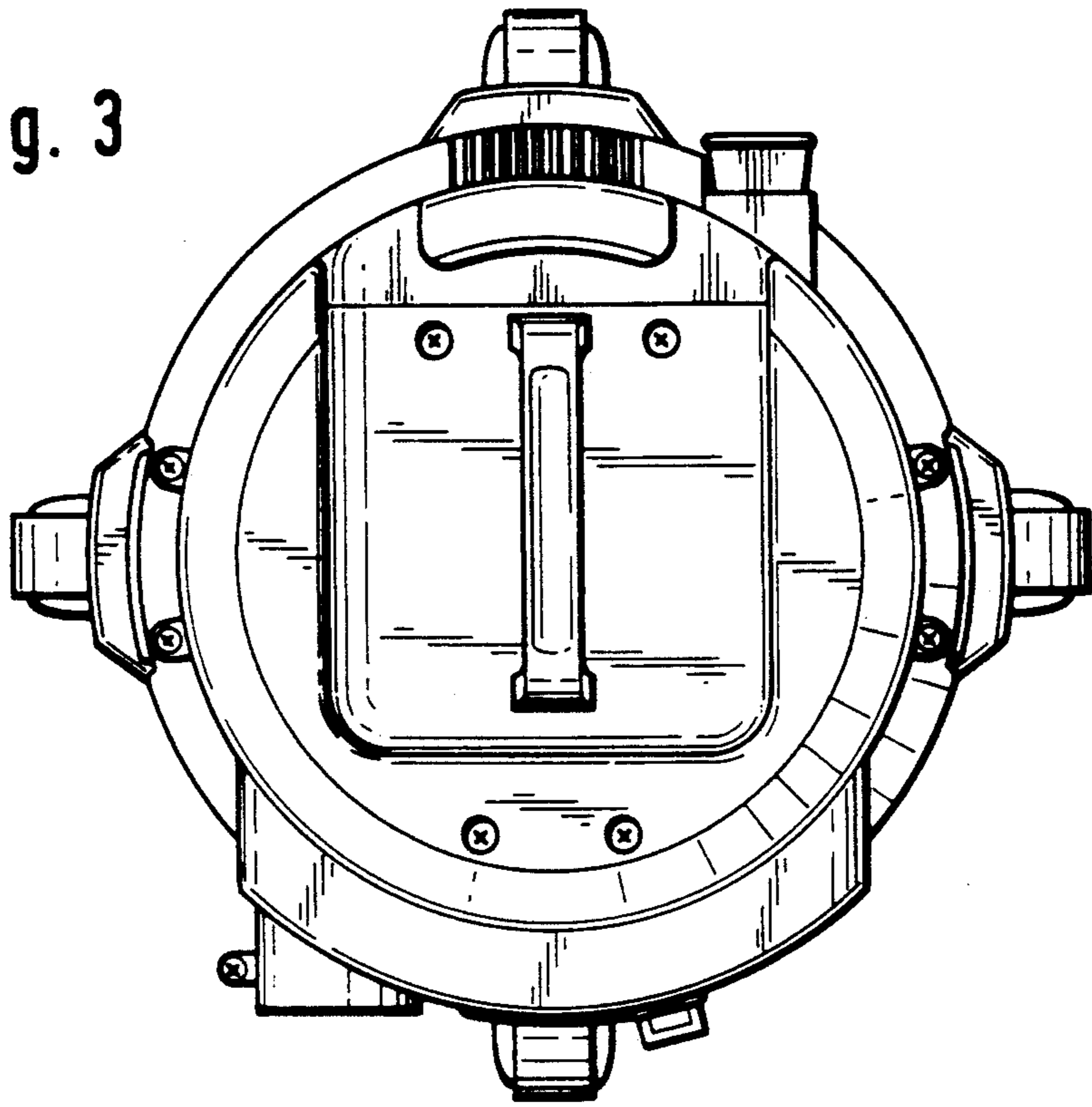


Fig. 2

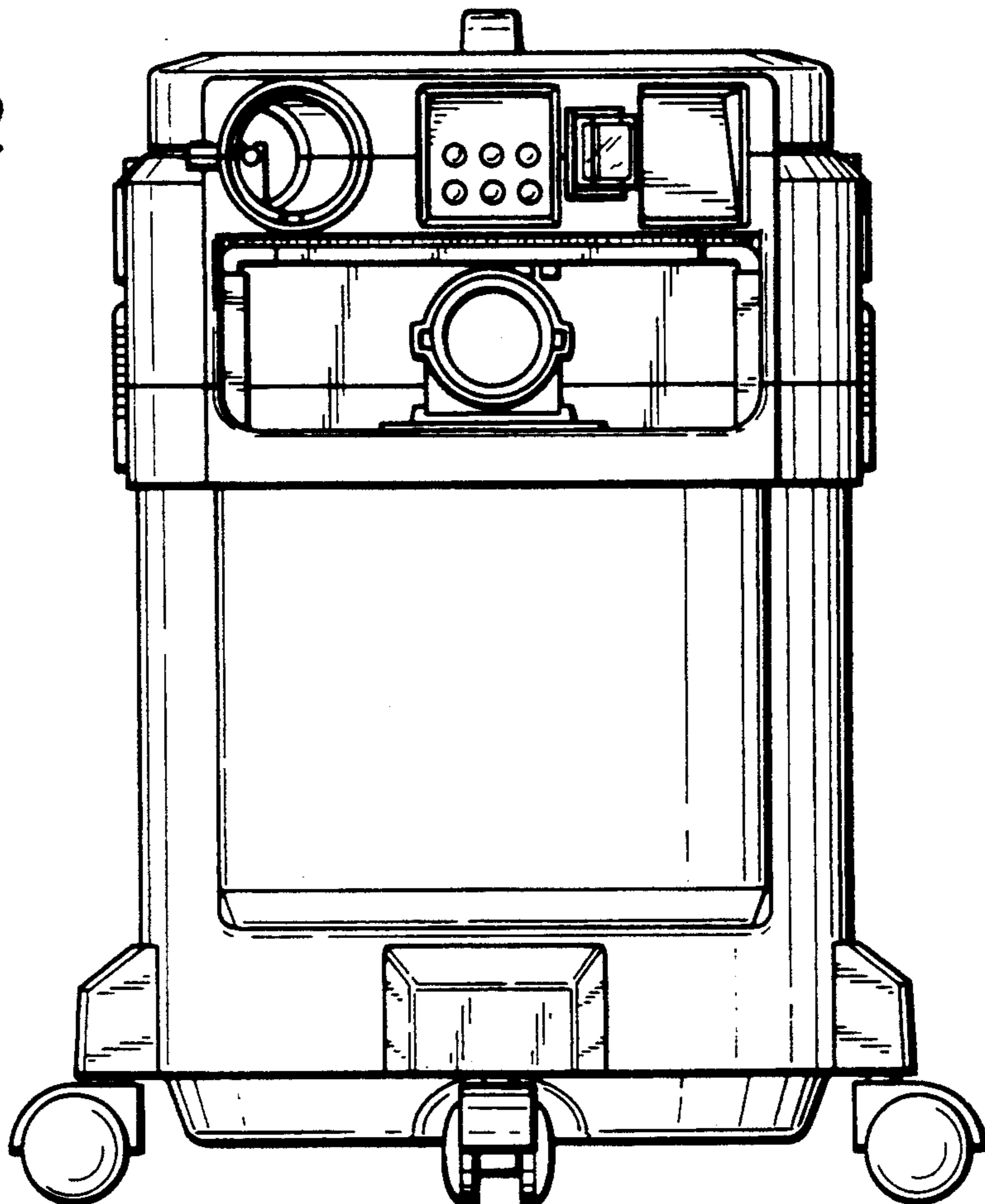


Fig. 4

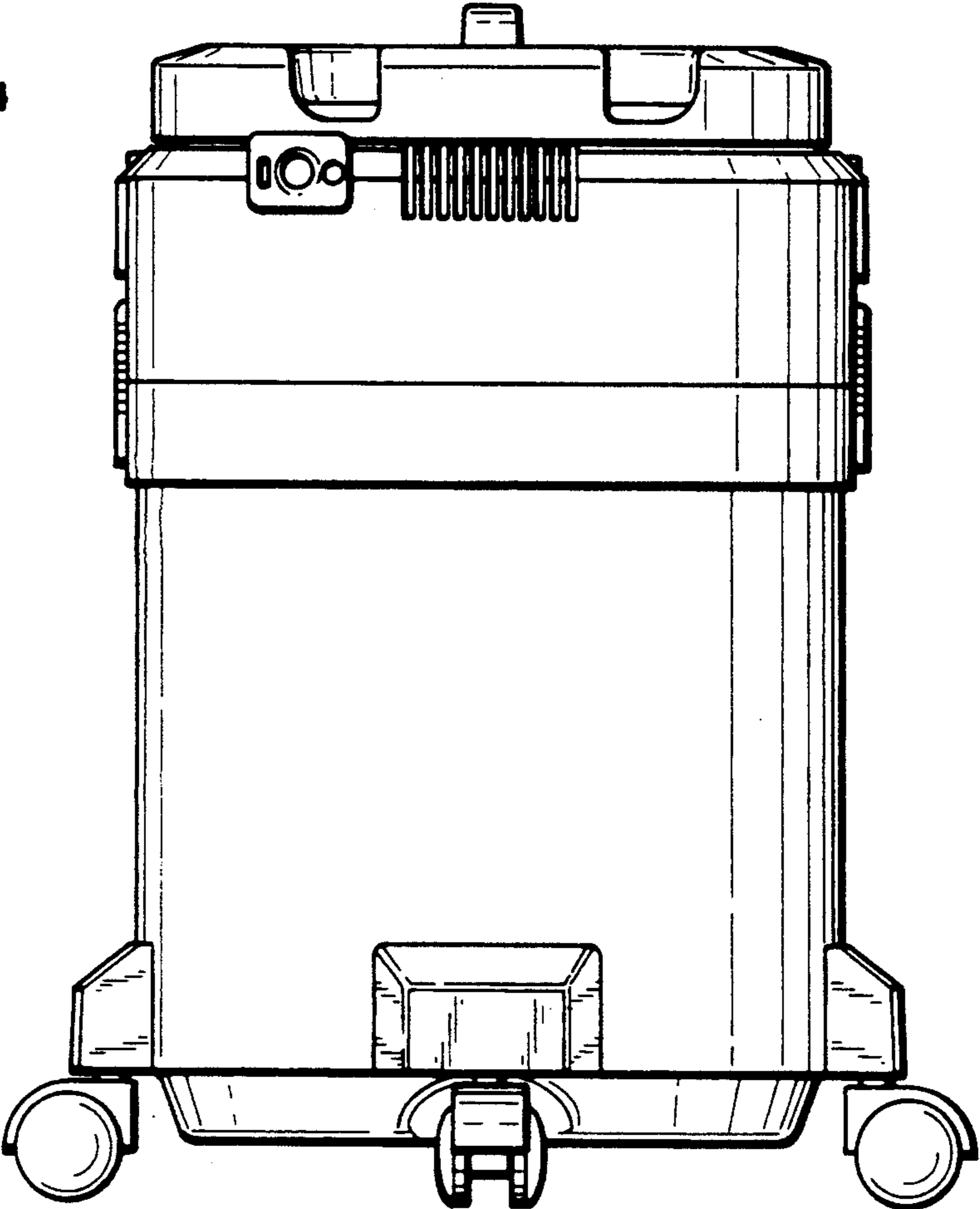


Fig. 5

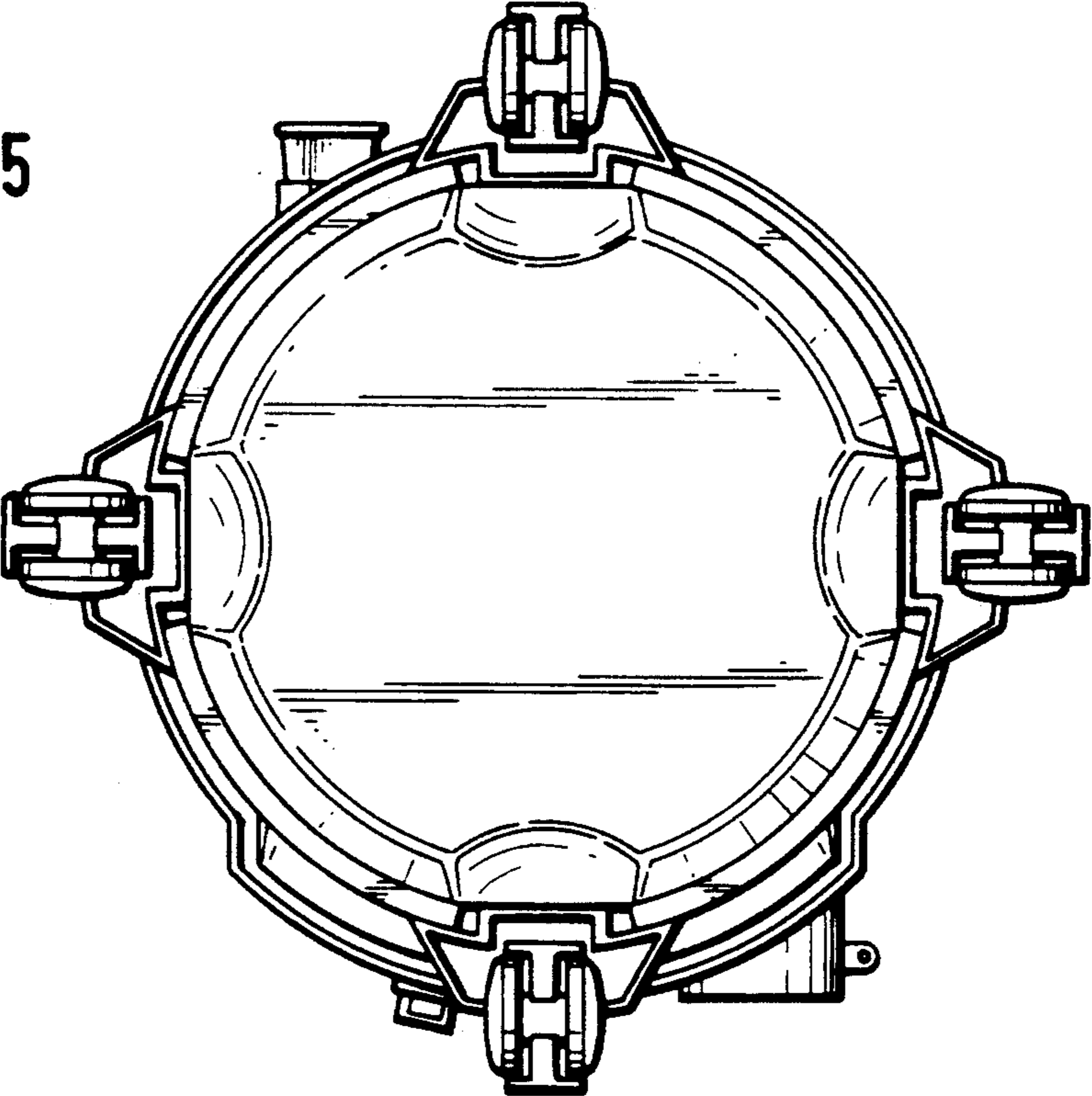


Fig. 7

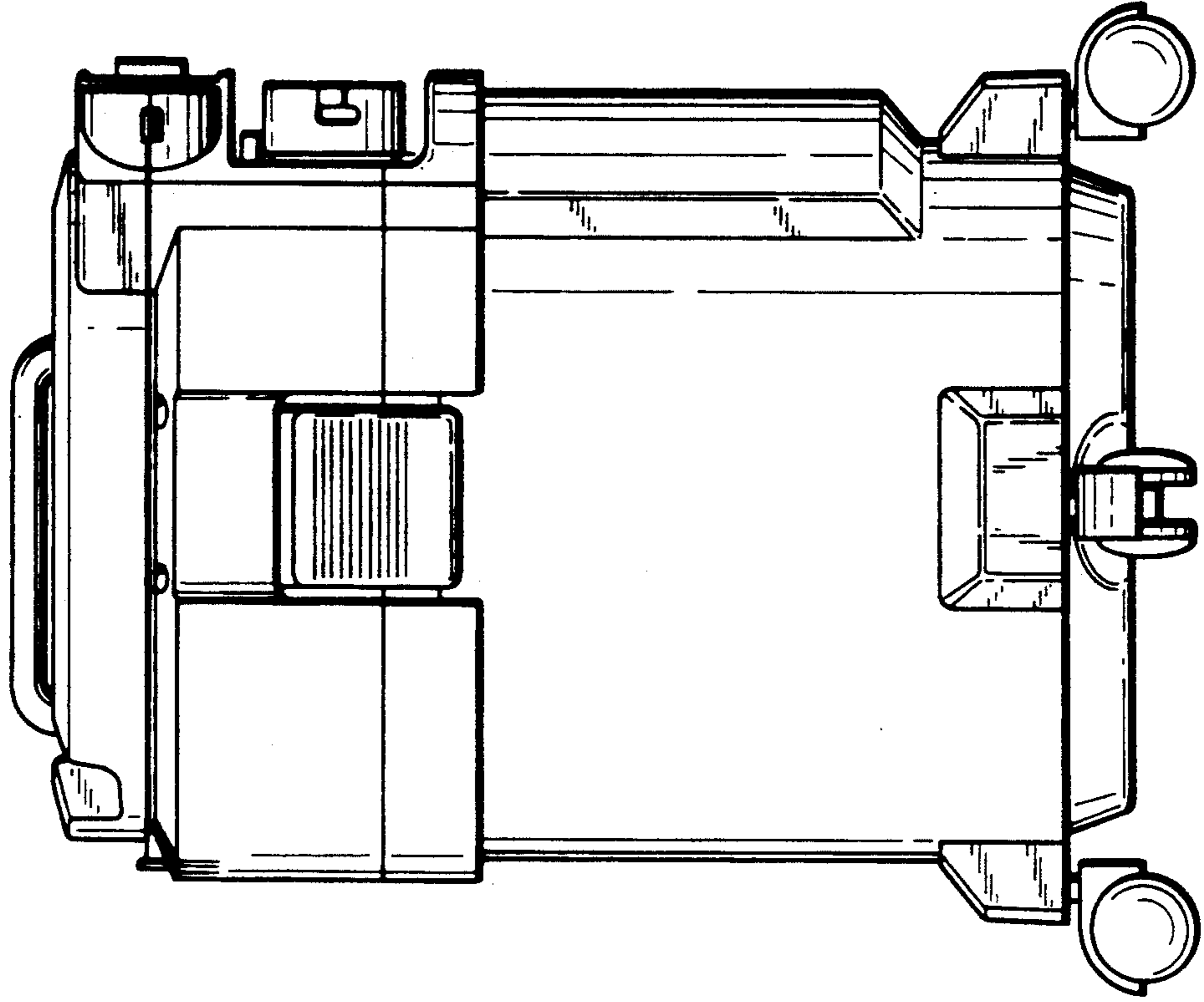


Fig. 6

