



US00D344373S

United States Patent [19]

[11] Patent Number: **Des. 344,373**

Haverkamp

[45] Date of Patent: **** Feb. 15, 1994**

[54] **VACUUM CLEANER OF THE CANISTER TYPE**

[75] Inventor: **Helmut Haverkamp**, Hunxe, Fed. Rep. of Germany

[73] Assignee: **Moulinex S.A.**, Bagnolet, France

[**] Term: **14 Years**

[21] Appl. No.: **918,018**

[22] Filed: **Jul. 24, 1992**

[30] **Foreign Application Priority Data**

Jan. 24, 1992 [FR] France 920426

[52] U.S. Cl. **D32/21**

[58] Field of Search 15/320-321, 15/323, 327.1-327.2, 327.4-327.7, 347, 352, 353, 412; D32/1, 21, 23-24, 31

[56] **References Cited**

U.S. PATENT DOCUMENTS

- D. 289,213 4/1987 Perkins D32/21
- D. 290,896 7/1987 Kim D32/21
- D. 296,944 7/1988 Yamamoto et al. D32/21
- D. 311,613 10/1990 Kuriya D32/21

- D. 311,614 10/1990 Hirano et al. D32/21
- D. 312,901 12/1990 Miyata et al. D32/21
- D. 313,680 1/1991 Ichihara et al. D32/21
- D. 315,041 2/1991 Bradd D32/21
- D. 318,937 8/1991 Shinozaki et al. D32/21
- 4,993,105 2/1991 Buchtel et al. 15/327.2
- 5,014,385 5/1991 Bradd et al. 15/323

Primary Examiner—Ruth McInroy
Attorney, Agent, or Firm—Young & Thompson

[57] **CLAIM**

The ornamental design for a vacuum cleaner of the canister type, as shown.

DESCRIPTION

FIG. 1 is a front, top and side perspective view of an vacuum cleaner for household use, showing the new design;

FIG. 2 is a front elevational view thereof;

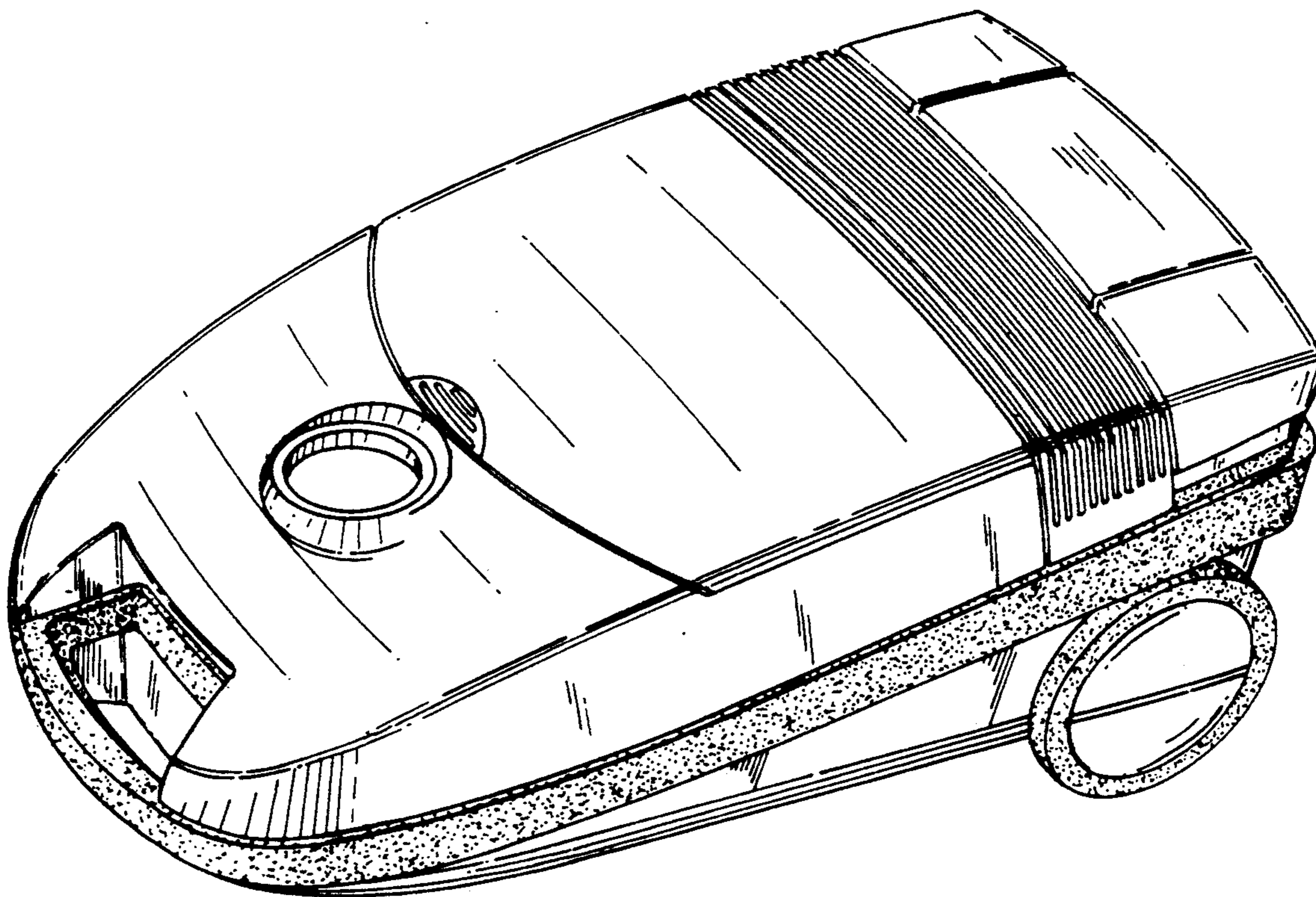
FIG. 3 is a side elevational view thereof from the left of FIG. 2;

FIG. 4 is a side elevational view thereof from the right of FIG. 2;

FIG. 5 is a rear elevational view thereof;

FIG. 6 is a top plan view thereof; and,

FIG. 7 is a bottom plan view thereof.



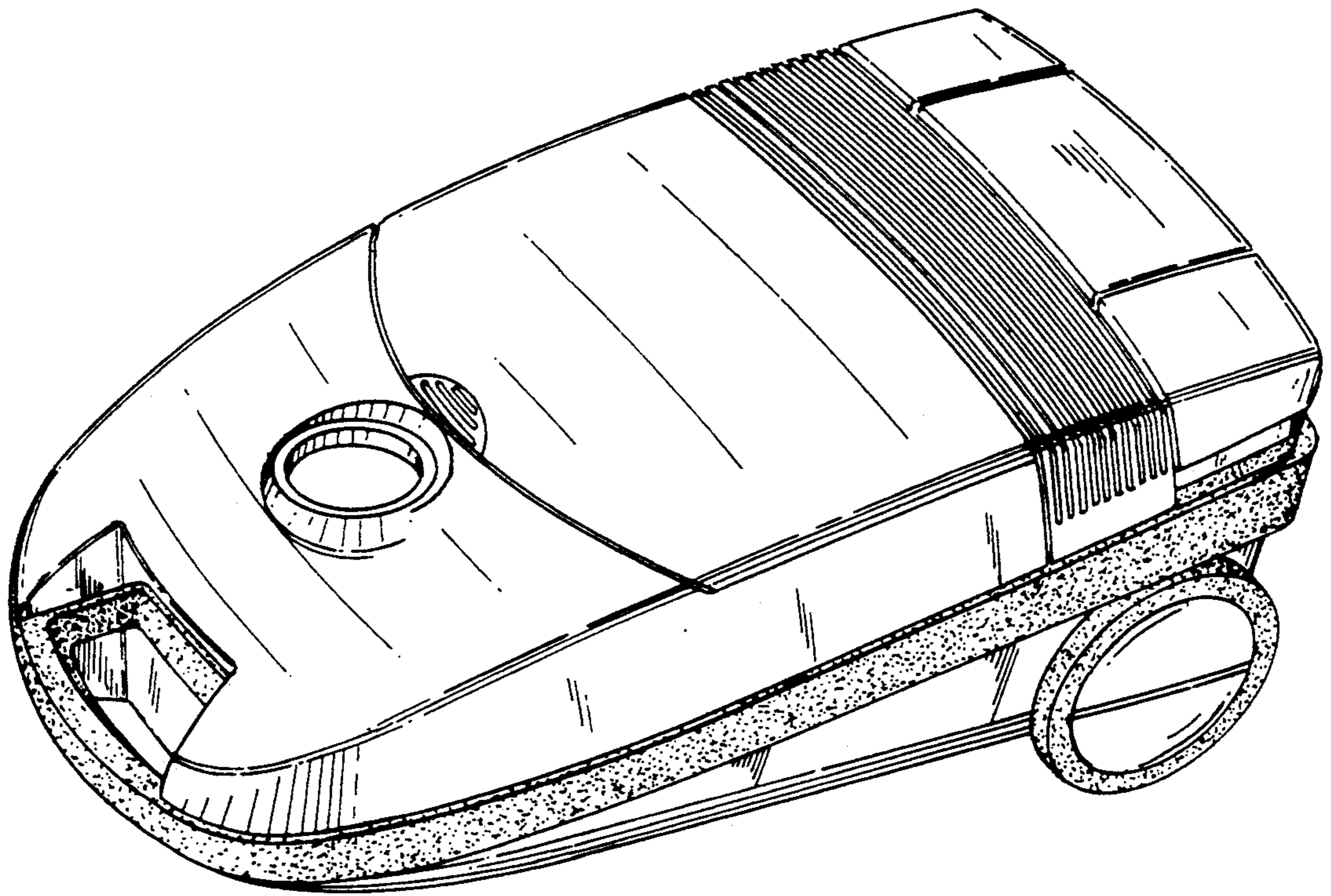


FIG. 1

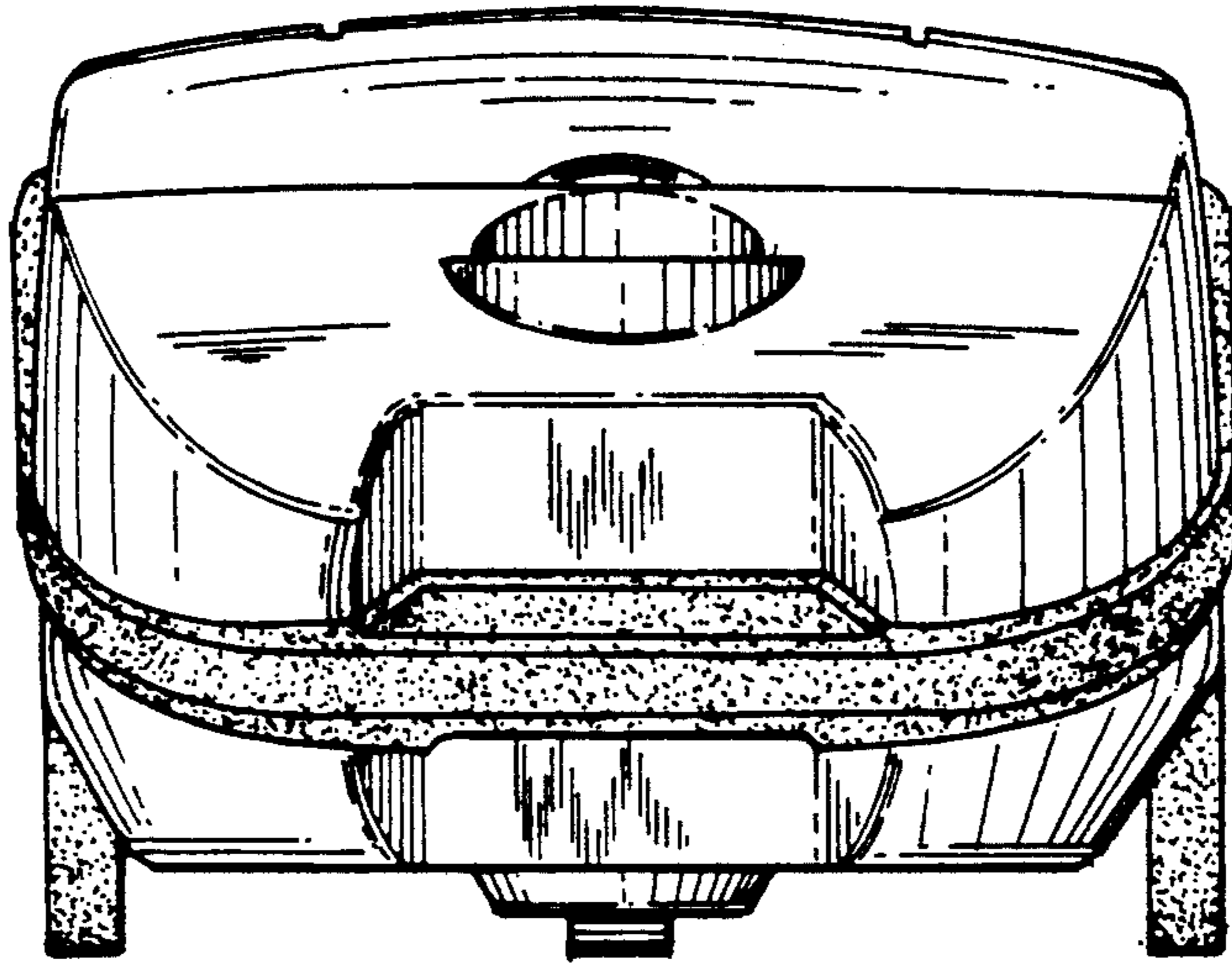


FIG. 2

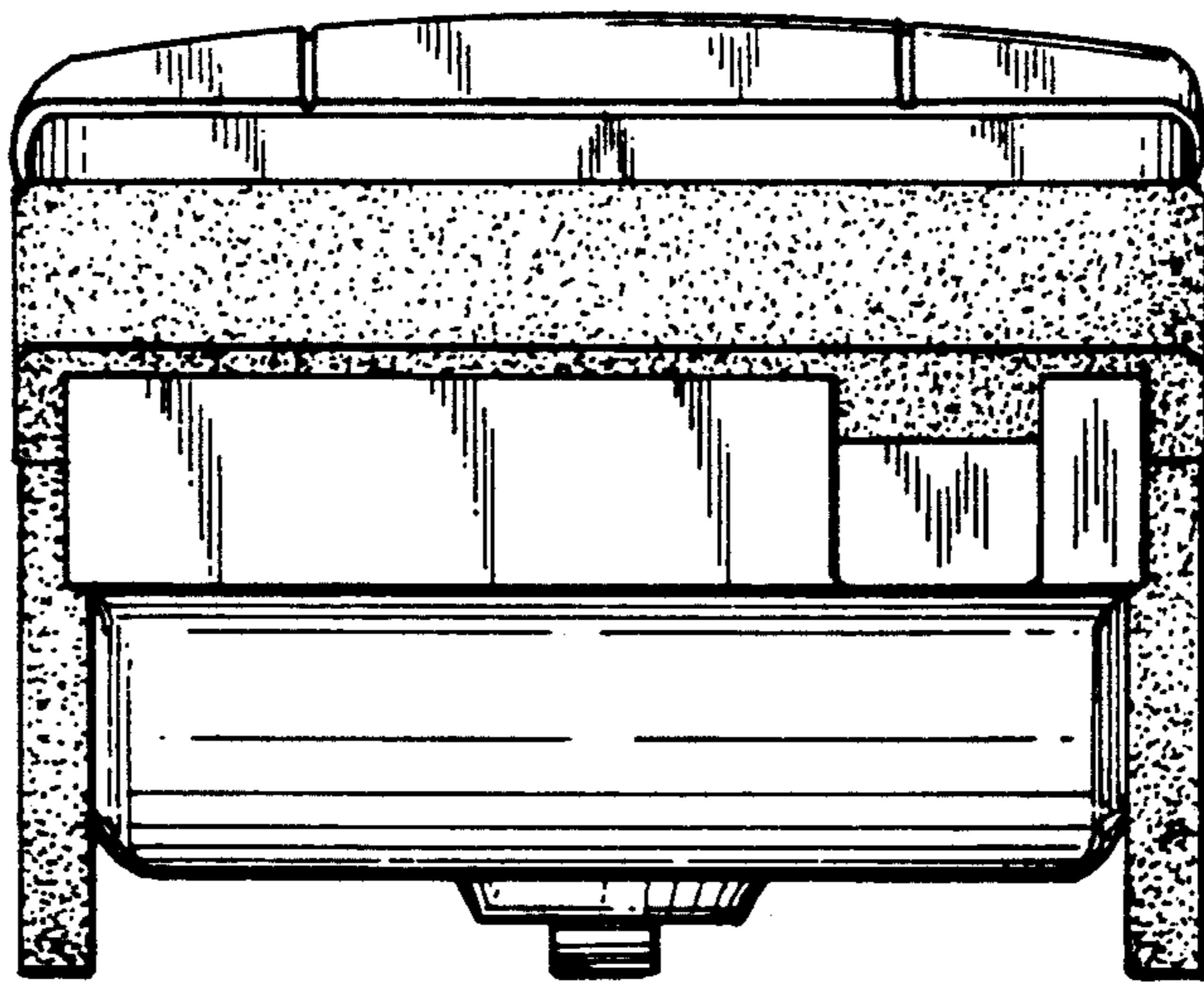


FIG. 5

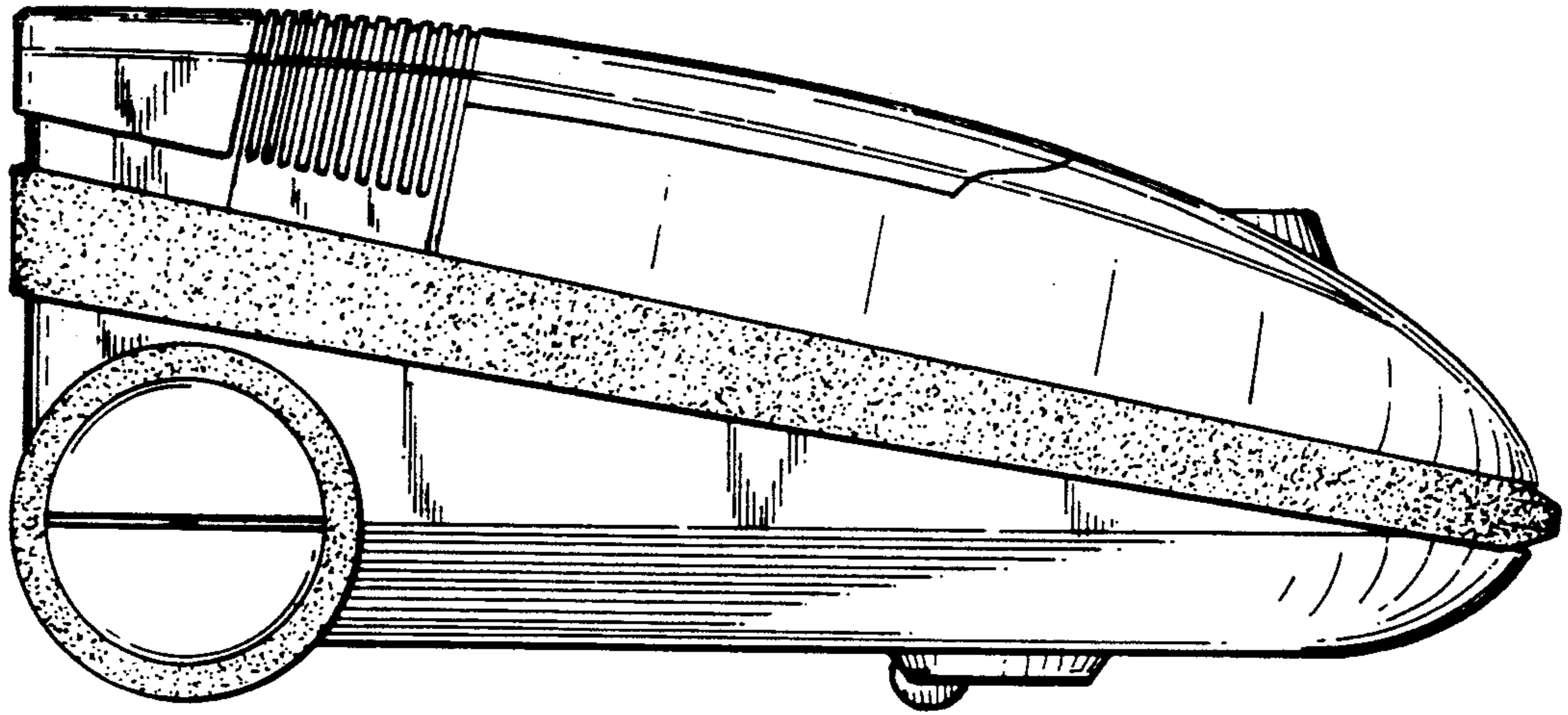


FIG. 3

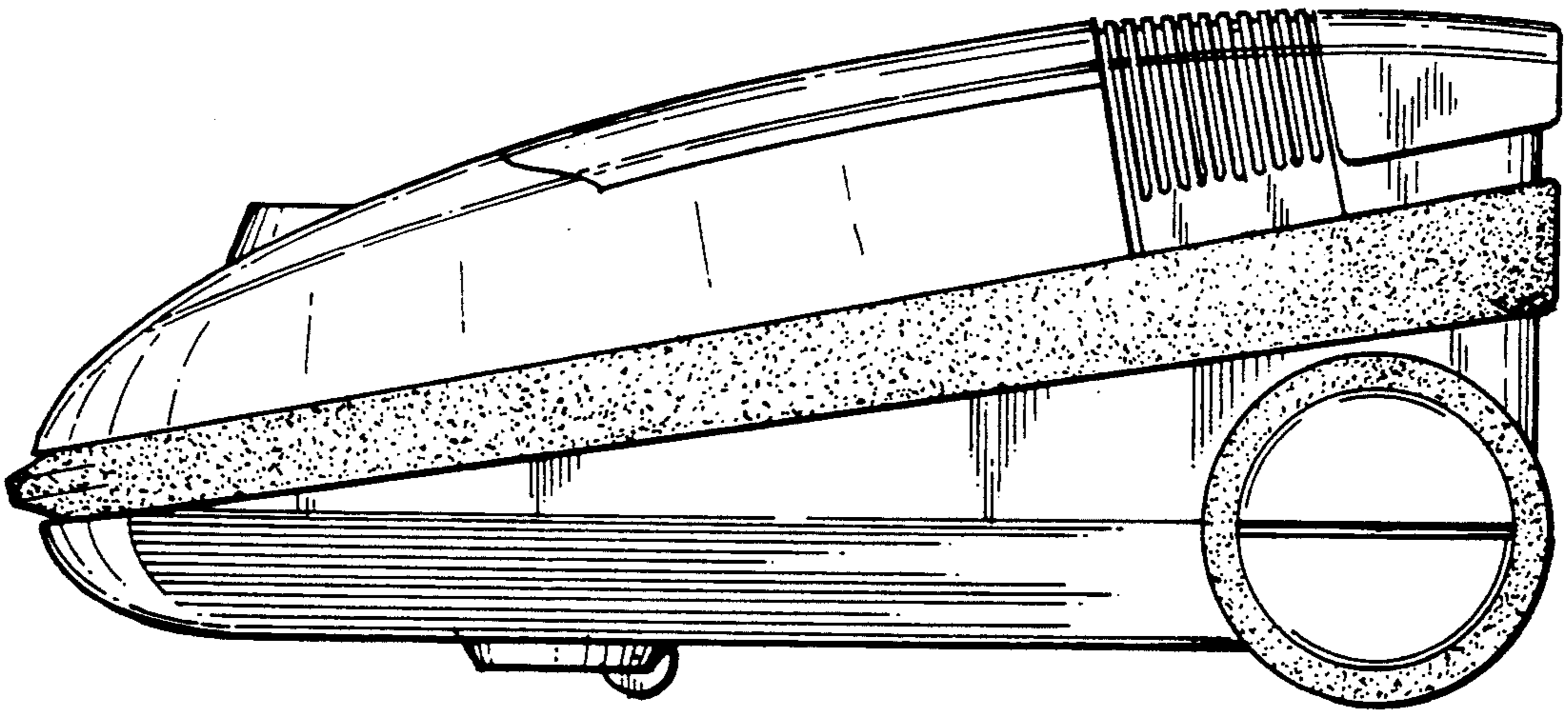


FIG. 4

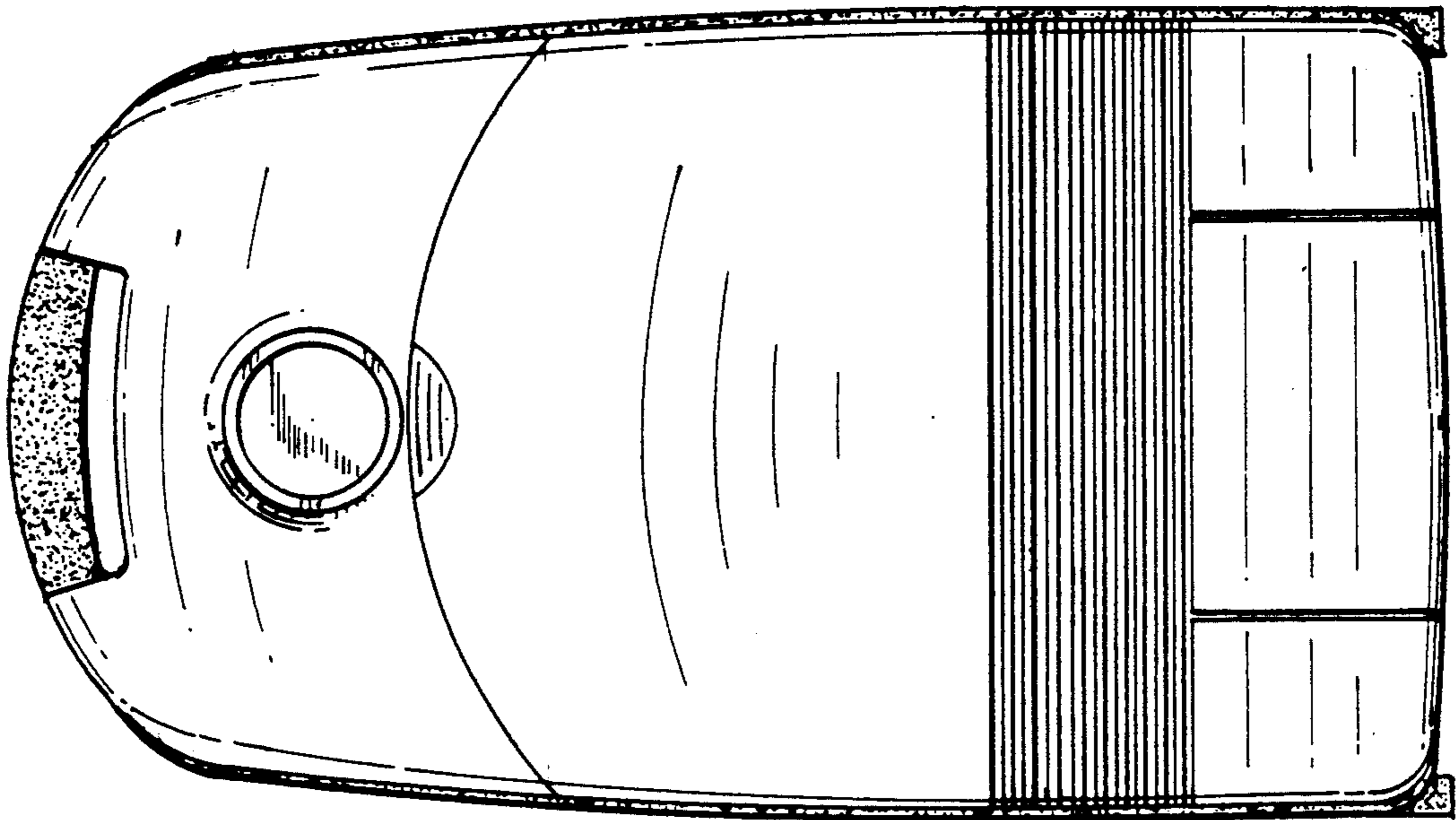


FIG. 6

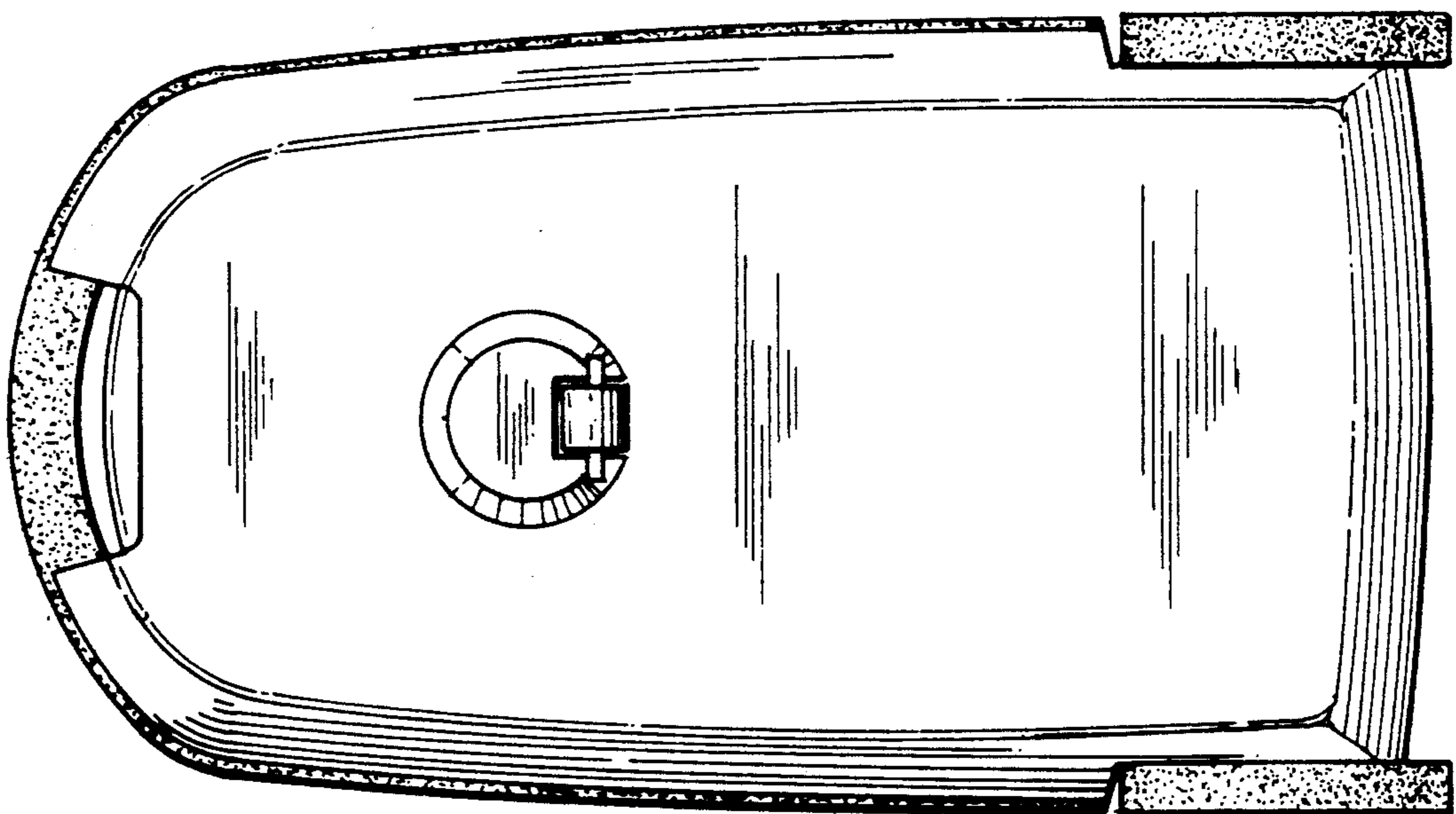


FIG. 7