



US00D344367S

United States Patent [19]

Santore

[11] Patent Number: **Des. 344,367**

[45] Date of Patent: **** Feb. 15, 1994**

[54] TOE SPACER

[76] Inventor: **Anthony Santore, 346 Third Ave., Pelham, N.Y. 10803**

[**] Term: **14 Years**

[21] Appl. No.: **849,692**

[22] Filed: **Mar. 10, 1992**

[52] U.S. Cl. **D28/61; D28/56**

[58] Field of Search **132/73; D28/56, 57, D28/61, 62; D24/171, 190, 192**

[56] References Cited

U.S. PATENT DOCUMENTS

D. 127,364	5/1941	Warner	132/73 X
D. 159,662	8/1950	Patek	132/73 X
2,593,767	4/1952	Kiwad	132/73 X
2,595,640	5/1952	Christopoulos	132/73

FOREIGN PATENT DOCUMENTS

1027346	5/1953	France	132/73
1095213	5/1955	France	132/73

OTHER PUBLICATIONS

Advertisement of Shering-Plough Healthcare Products, Inc. for Pedispreads prior to Nov. 30, 1991.

Primary Examiner—Bernard Ansher

Assistant Examiner—C. Tuttle

Attorney, Agent, or Firm—Darby & Darby

[57] CLAIM

The ornamental design for a toe spacer, as shown and described.

DESCRIPTION

FIG. 1 is a perspective view of a toe spacer showing my new design in use, the broken line showing of the foot being for illustrative purposes only, and forming no part of the claimed design;

FIG. 2 is a perspective view of the toe spacer;

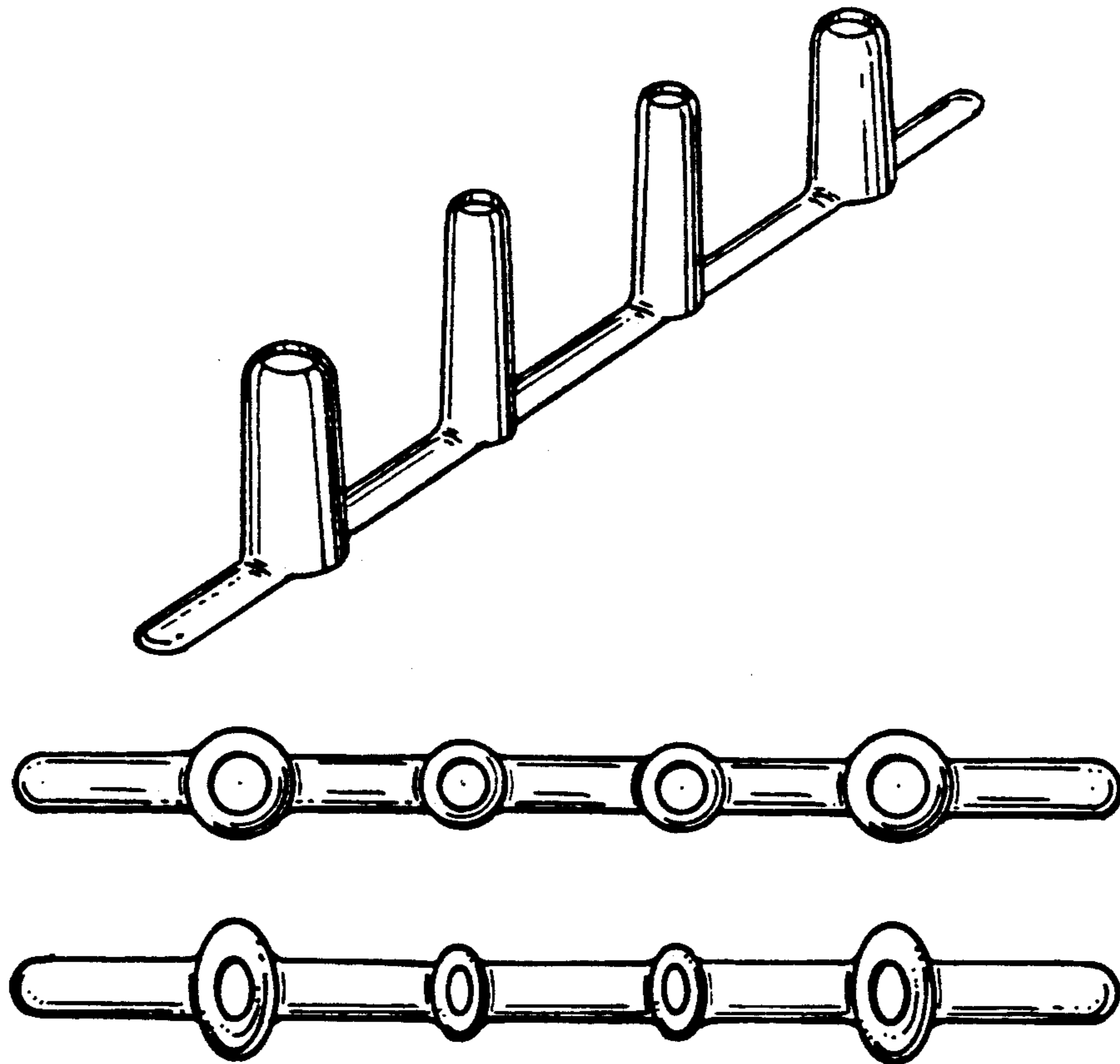
FIG. 3 is a top view thereof;

FIG. 4 is a front elevational view thereof;

FIG. 5 is a bottom view thereof;

FIG. 6 is a side view thereof, the side opposite being identical; and,

FIG. 7 is a top plan view of a second embodiment, wherein the modification resides in the elliptical plan shape of the upright spacing elements.



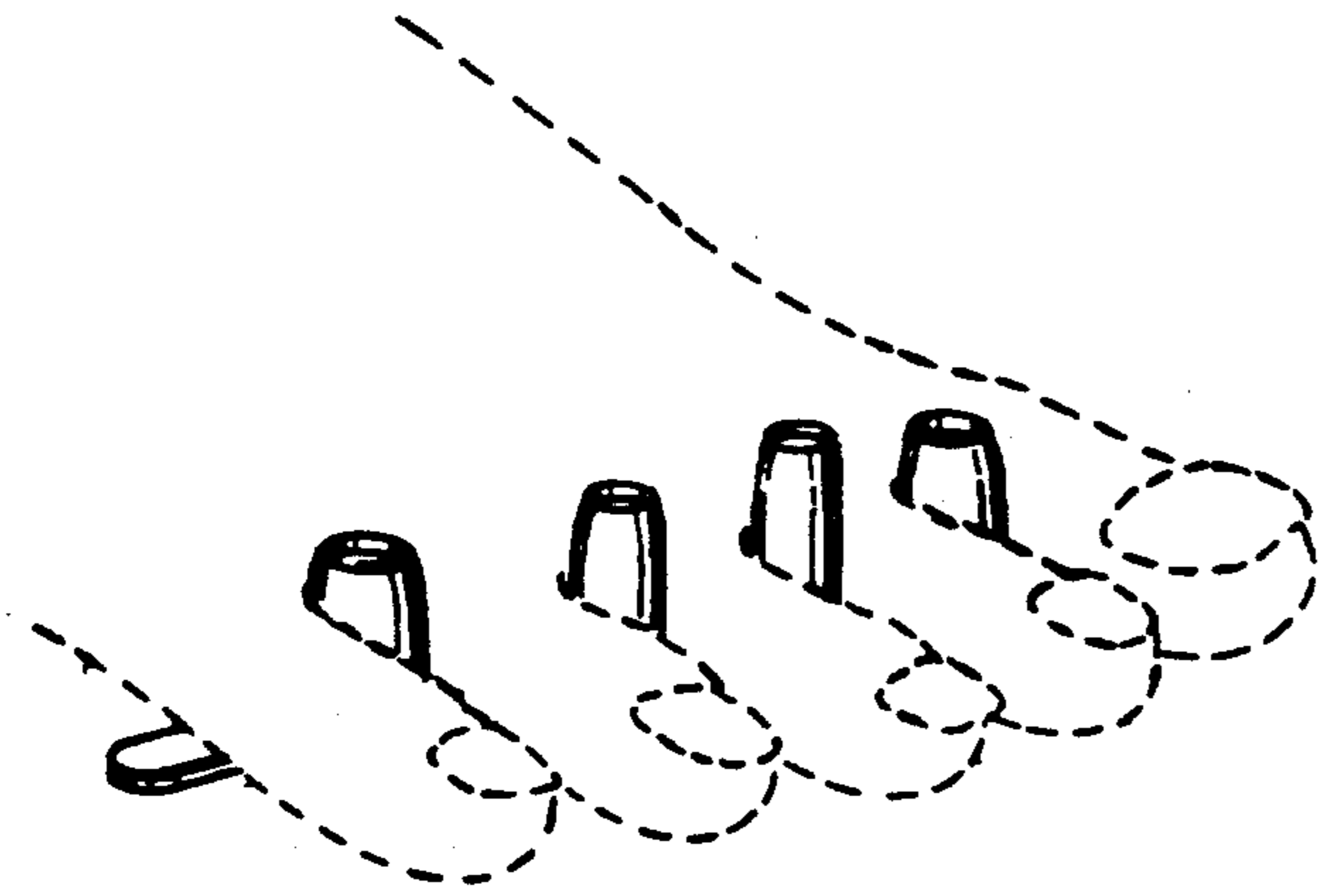


FIG. 1

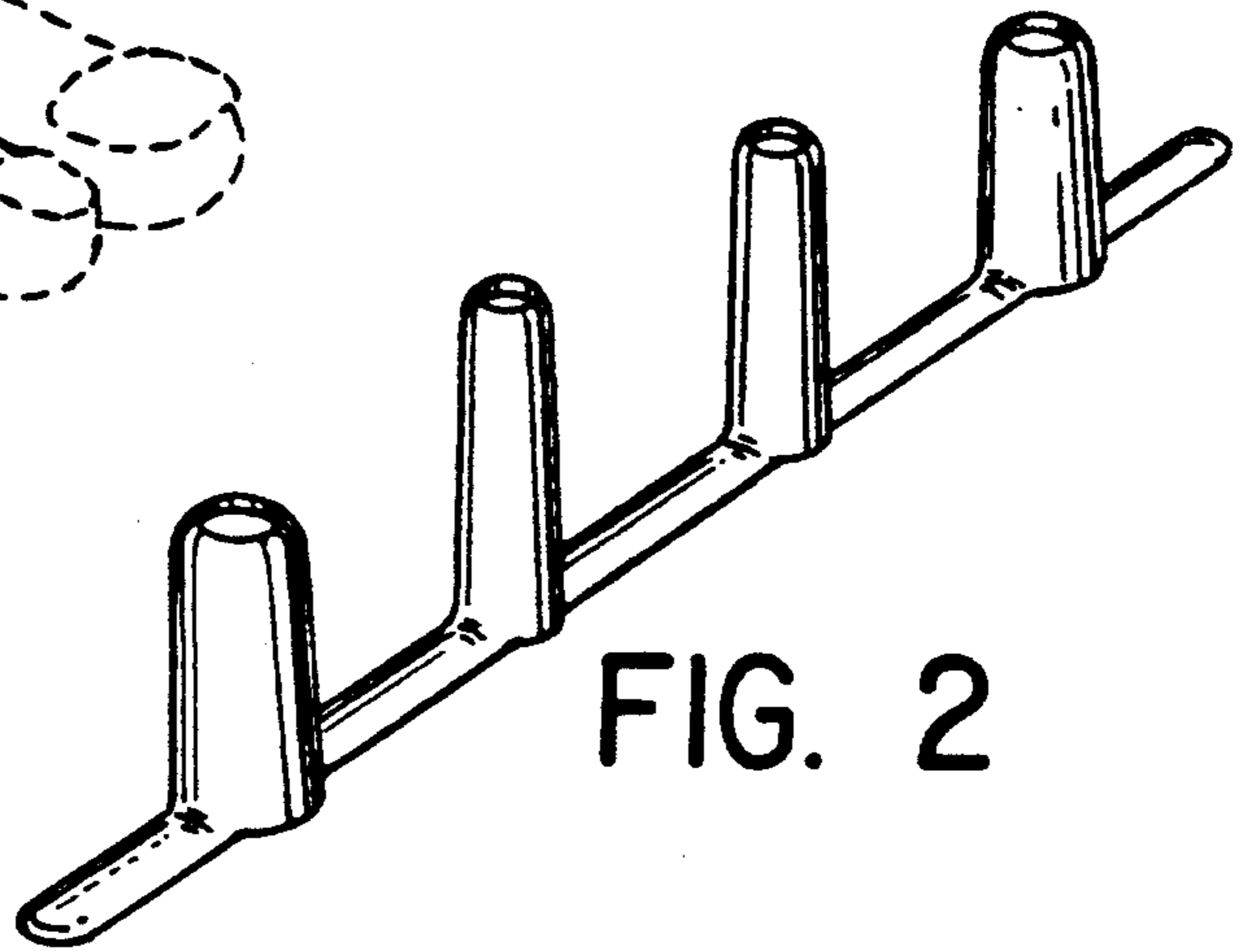


FIG. 2



FIG. 3

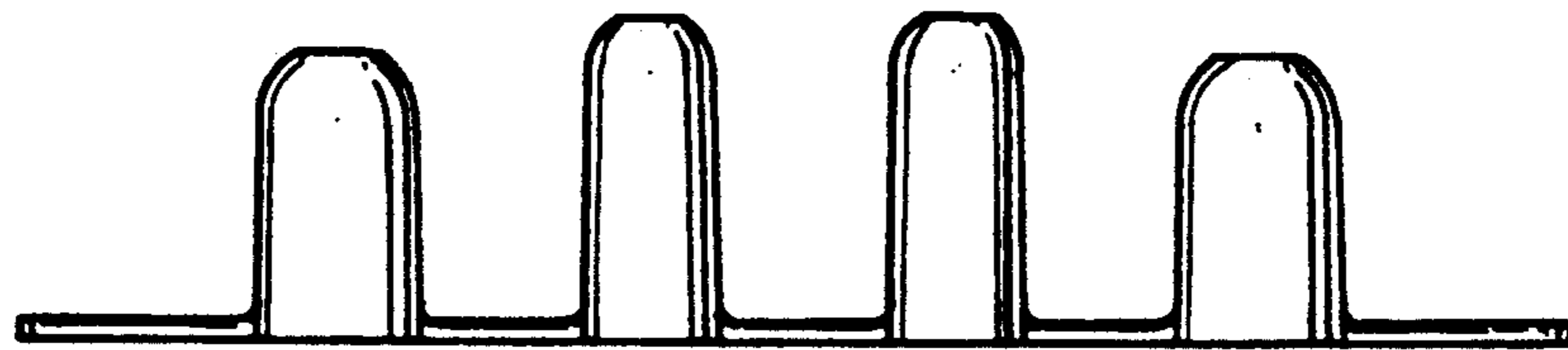


FIG. 4



FIG. 5

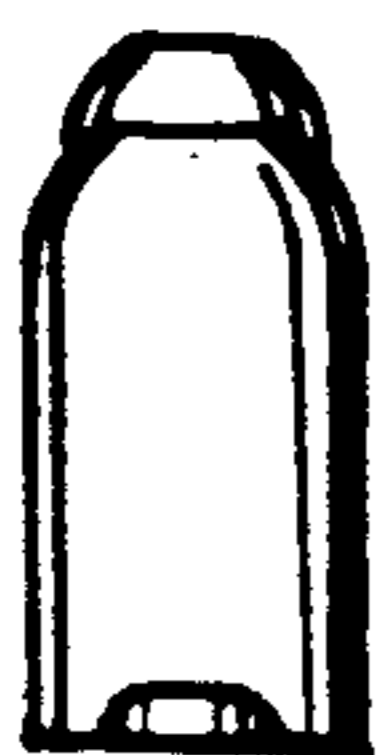


FIG. 6

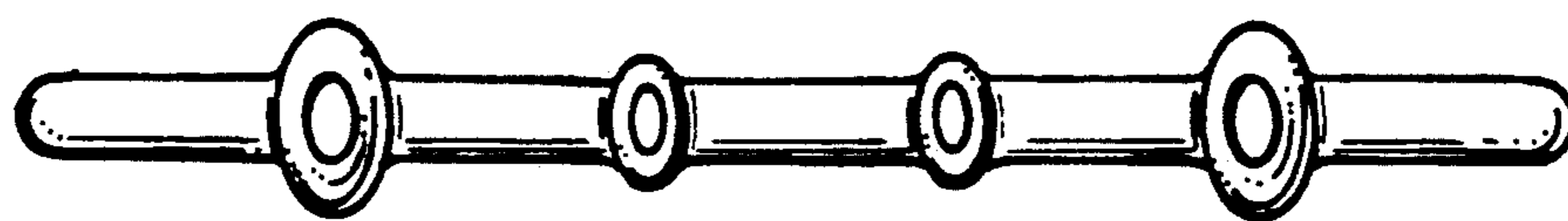


FIG. 7