



US00D344364S

United States Patent [19]

[11] Patent Number: **Des. 344,364**

Engle

[45] Date of Patent: **** Feb. 15, 1994**

[54] HOSPITAL ROOM LAMP

[75] Inventor: **Joseph D. Engle**, Naperville, Ill.

[73] Assignee: **Alco Manufacturing Company**, Franklin Park, Ill.

[**] Term: **14 Years**

[21] Appl. No.: **948,882**

[22] Filed: **Sep. 21, 1992**

[52] U.S. Cl. **D26/72**

[58] Field of Search **362/147, 404-408, 362/432; D26/72, 80-92, 75, 76, 77, 78**

[56] References Cited

U.S. PATENT DOCUMENTS

D. 304,862	11/1989	DiCola	D26/72 X
D. 306,772	3/1990	De'Armond	D26/72 X
2,732,484	1/1956	Lipscomb	362/218
4,816,969	3/1989	Miller	D26/85 X

OTHER PUBLICATIONS

Architectural Lighting Systems, Inc., Condensed Catalog, 1986, p. 4, Wall Lighting Sconce #171.

Primary Examiner—Susan J. Lucas

Attorney, Agent, or Firm—Fitzpatrick, Cella, Harper & Scinto

[57] CLAIM

The ornamental design for a hospital room lamp, as shown and described.

DESCRIPTION

FIG. 1 is a front elevational view of the hospital room lamp showing my design;

FIG. 2 is a side view of the hospital room lamp on an enlarged scale, the opposite side being a mirror image;

FIG. 3 is a top view of the hospital room lamp;

FIG. 4 is a bottom view of the hospital room lamp.

FIG. 5 is a top perspective view of the hospital room lamp;

FIG. 6 is a bottom perspective view of the hospital room lamp; and,

FIGS. 7, 8 and 9 are fragmentary front elevational views of second, third, and fourth embodiments respectively of the hospital room lamp of the design, half of each embodiment being omitted for convenience of illustration.

The top and bottom views of the second, third, and fourth embodiments are identical to those of the first embodiment.

The sides of the hospital room lamp embodiments of FIGS. 5, 6 and 7 are identical to the partial front views of those Figures.

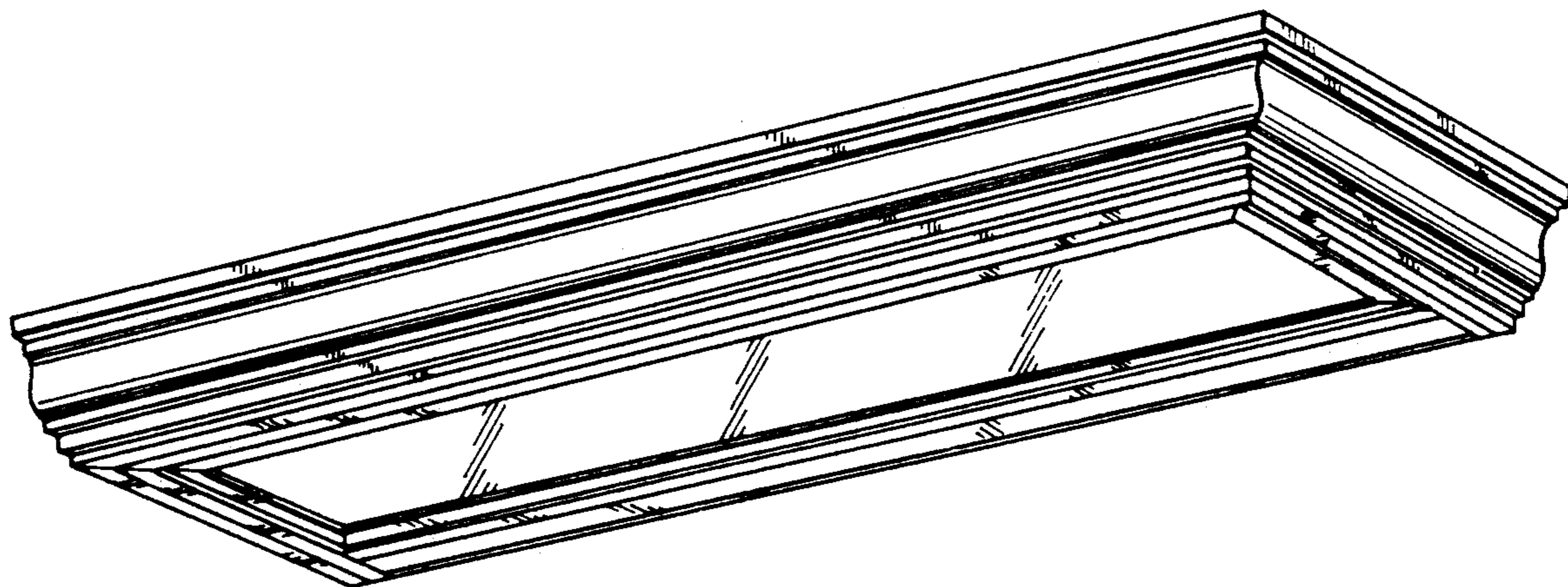


FIG. 1

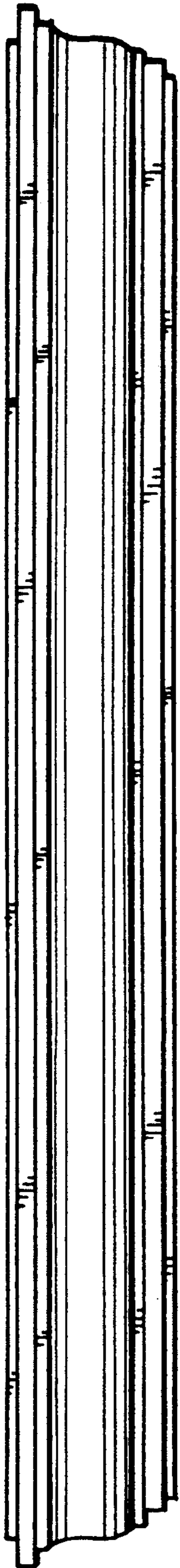
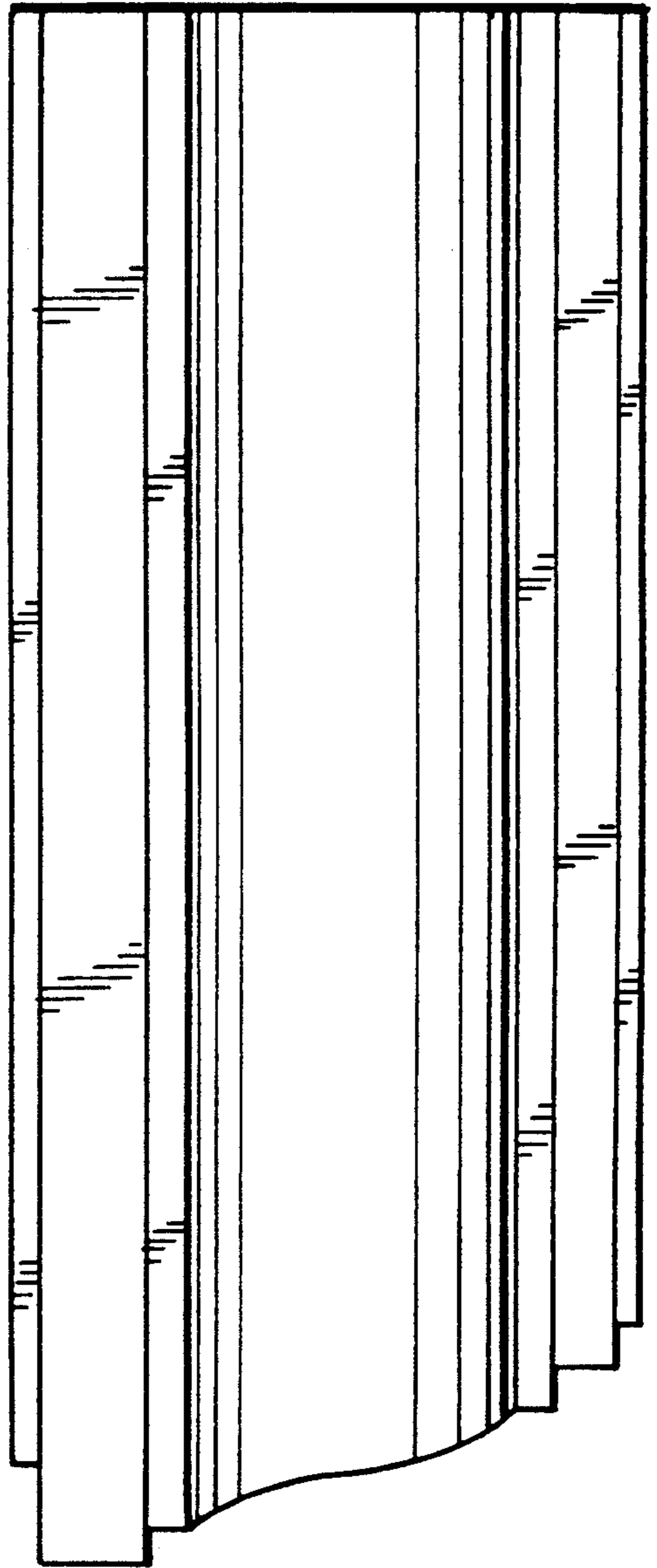


FIG. 2



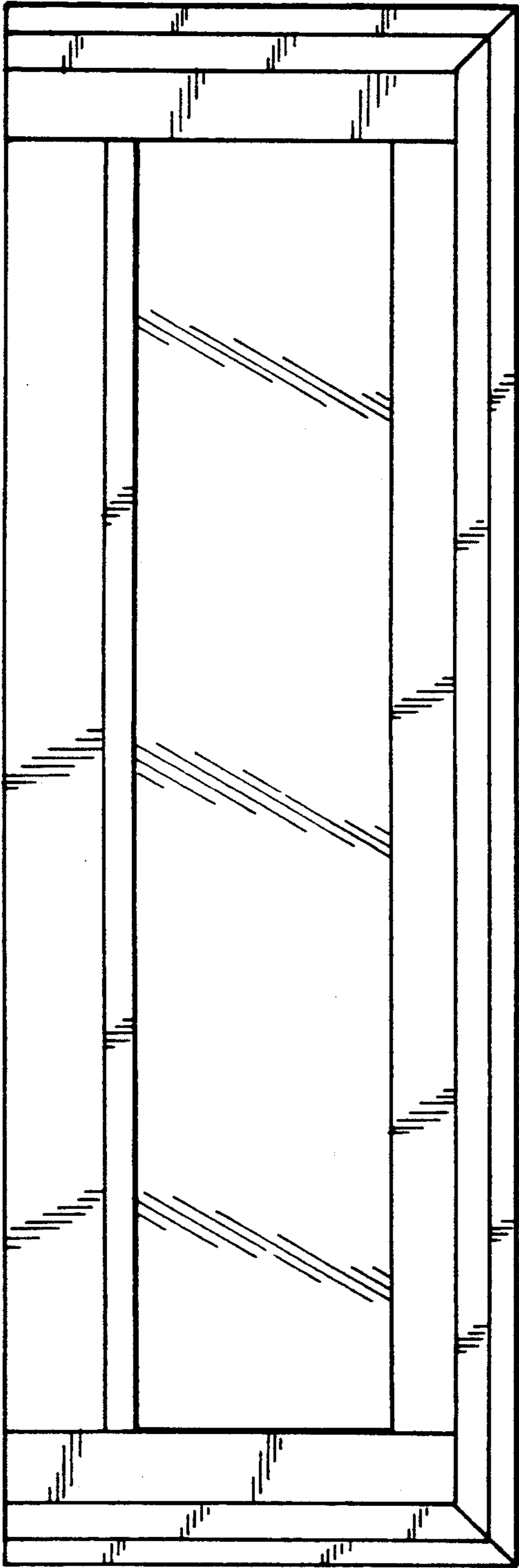
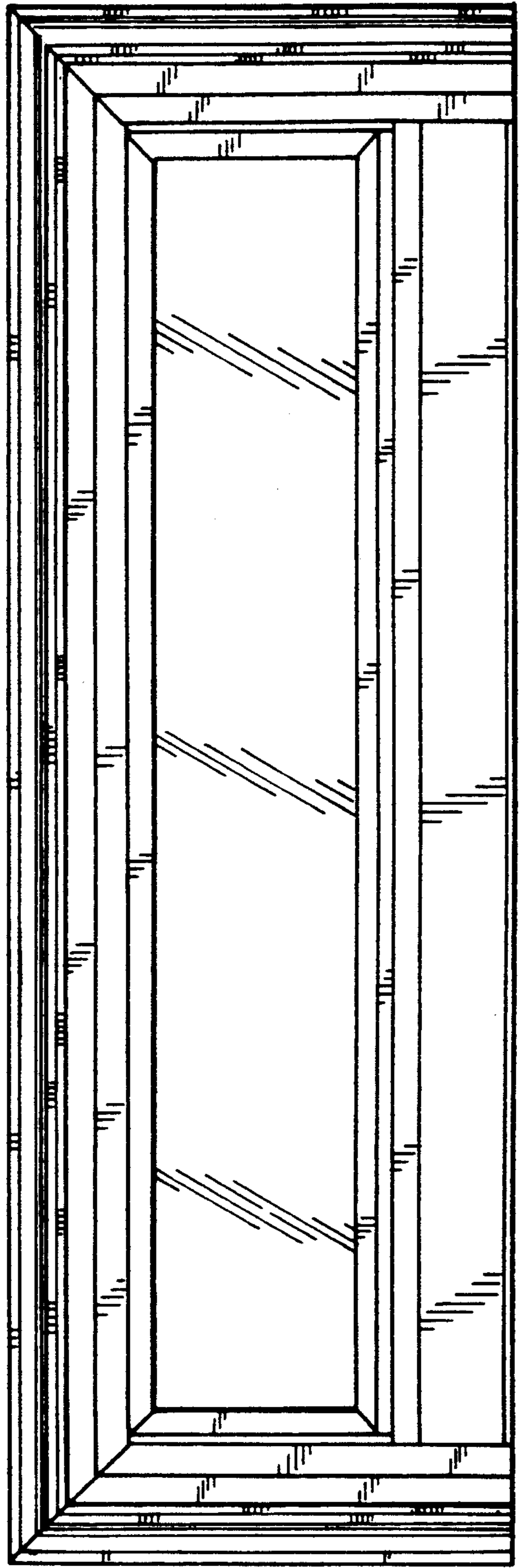


FIG. 3

FIG. 4



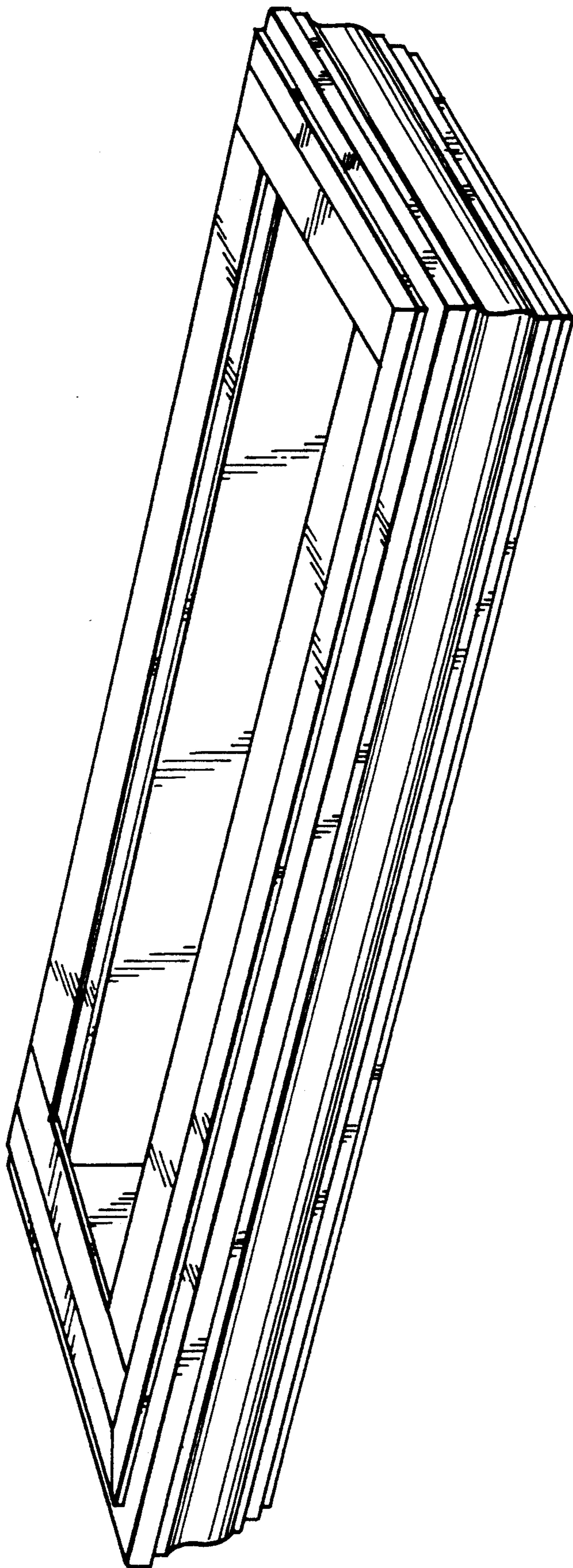


FIG. 5

FIG. 6

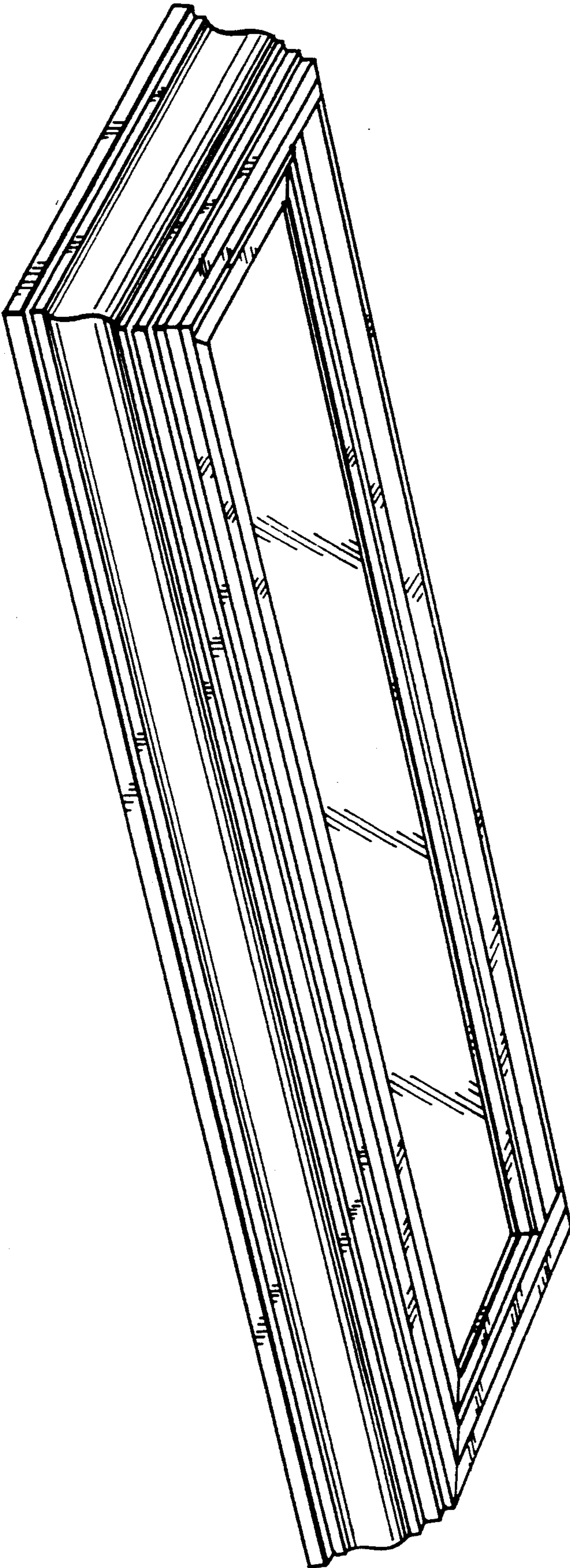


FIG. 7

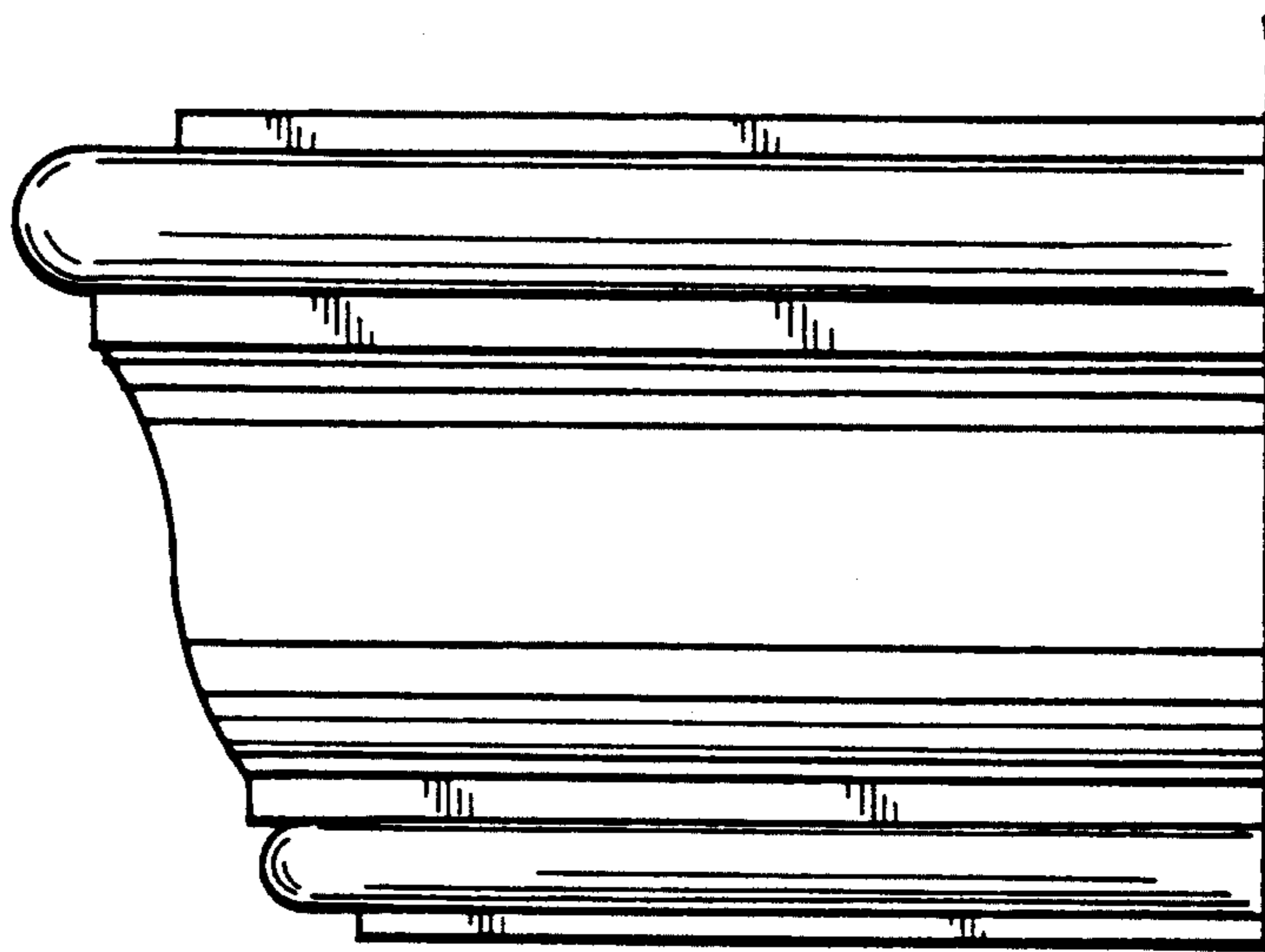


FIG. 8

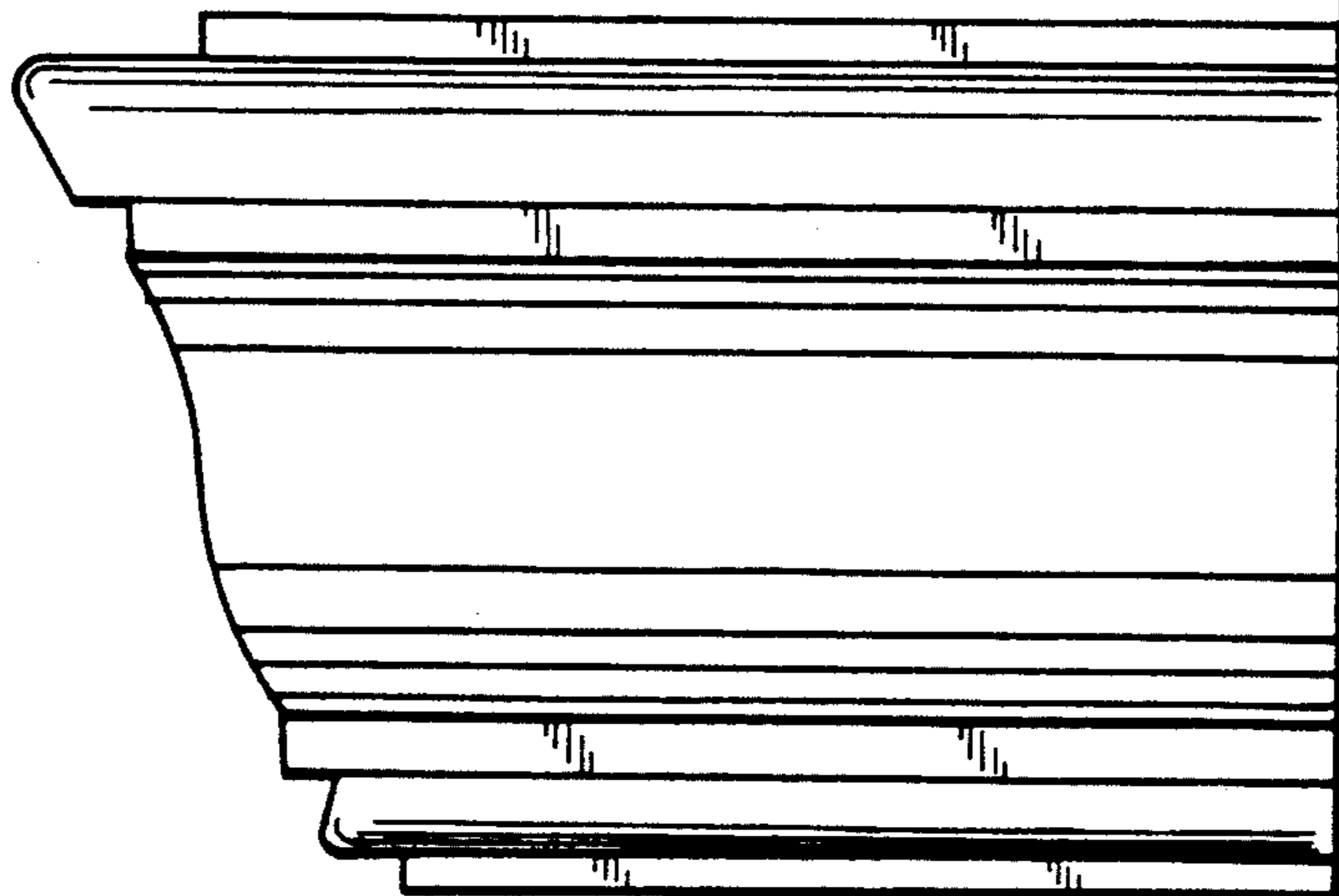


FIG. 9

