



US00D344363S

United States Patent [19]
Engle

[11] **Patent Number: Des. 344,363**

[45] **Date of Patent: ** Feb. 15, 1994**

[54] **HOSPITAL ROOM LAMP**

[75] **Inventor: Joseph D. Engle, Naperville, Ill.**

[73] **Assignee: Alkco Manufacturing Company, Franklin Park, Ill.**

[**] **Term: 14 Years**

[21] **Appl. No.: 948,885**

[22] **Filed: Sep. 21, 1992**

[52] **U.S. Cl. D26/72**

[58] **Field of Search 362/147, 404-408, 362/432, 218, 220, 221, 222, 223, 362; D26/72, 80-92, 75, 76, 77, 78**

[56] **References Cited**

U.S. PATENT DOCUMENTS

- D. 304,862 11/1989 DiCola D26/72 X
- D. 306,772 3/1990 De'Armond D26/72 X
- 2,732,484 1/1956 Lipscomb 362/218
- 4,816,969 3/1989 Miller D26/85 X

OTHER PUBLICATIONS

Architectural Lighting Systems, Inc. Condensed Catalog, ©1986, p. 4, Lighting Sconce #171.

Primary Examiner—Susan J. Lucas

Attorney, Agent, or Firm—Fitzpatrick, Cella, Harper & Scinto

[57] **CLAIM**

The ornamental design for a hospital room lamp, as shown and described.

DESCRIPTION

FIG. 1 is a front elevational view of the hospital room lamp showing my design;

FIG. 2 is a side view of the hospital room lamp on an enlarged scale, the opposite side being a mirror image;

FIG. 3 is a top view of the hospital room lamp;

FIG. 4 is a bottom view of the hospital room lamp;

FIG. 5 is a top perspective view of the hospital room lamp;

FIG. 6 is a bottom perspective view of the hospital room lamp; and,

FIGS. 7, 8 and 9 are fragmentary front elevational views of second, third, and fourth embodiments respectively of the hospital room lamp of the design, half of each embodiment being omitted for convenience of illustration.

The top and bottom views of the second, third, and fourth embodiments are identical to those of the first embodiment.

The sides of the hospital room lamp embodiments of FIGS. 5, 6 and 7 are identical to the partial front views of those Figures.

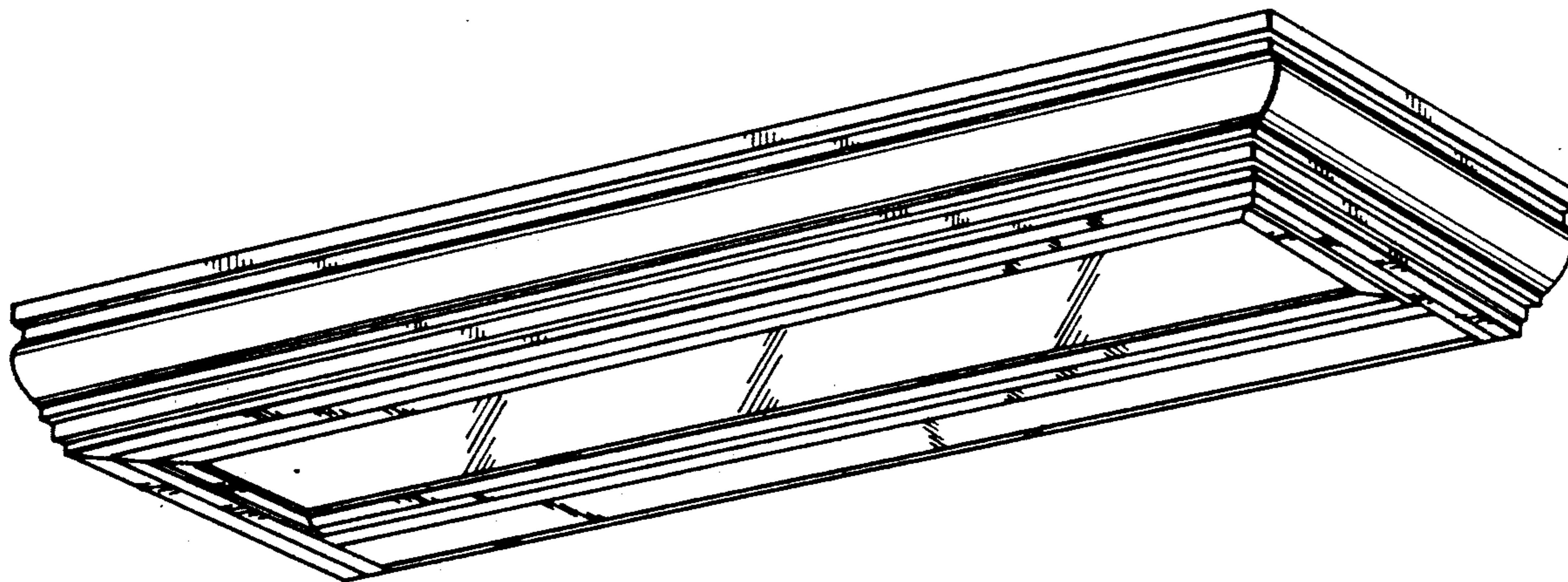


FIG. 1

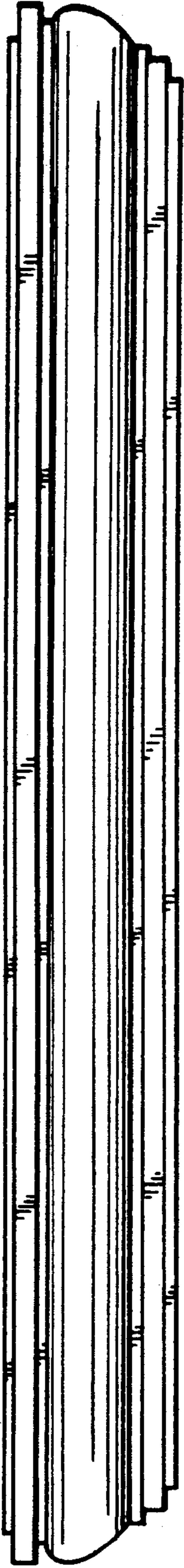
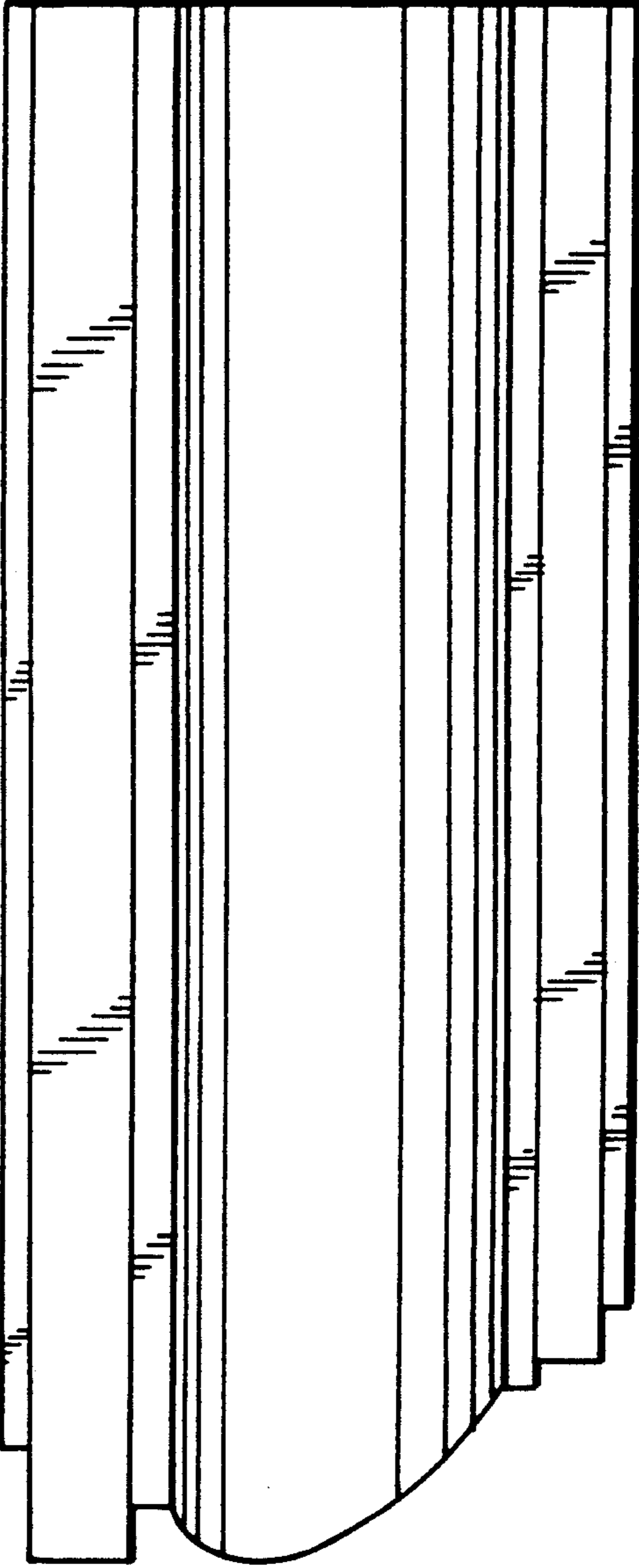


FIG. 2



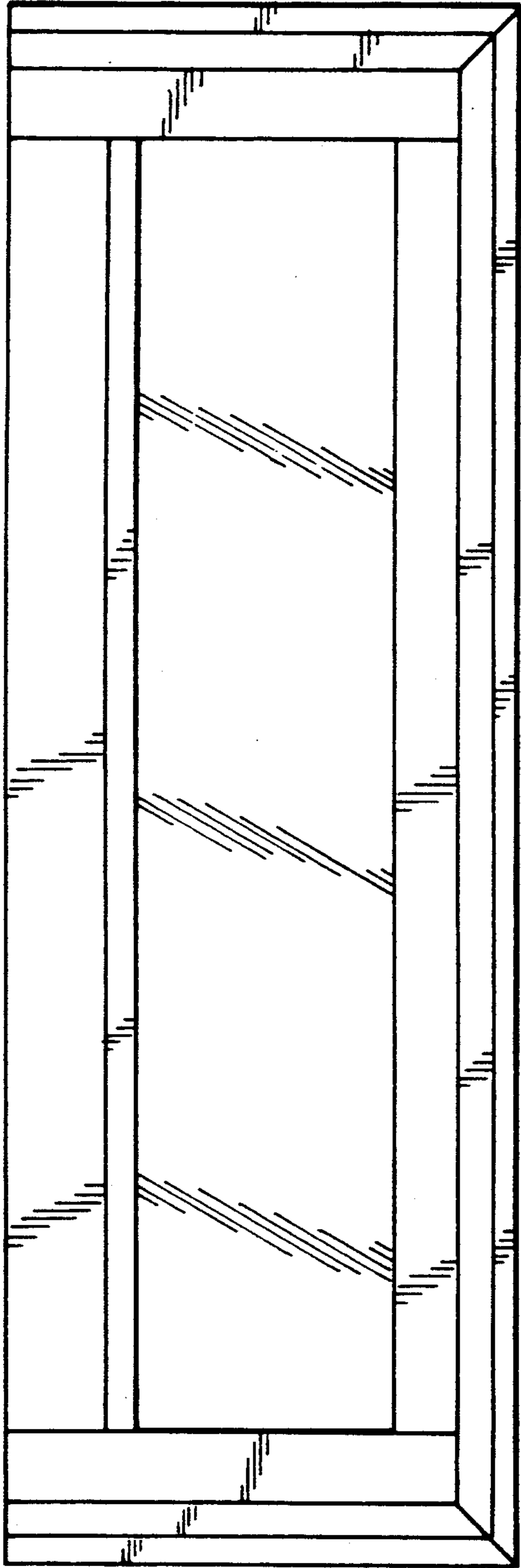
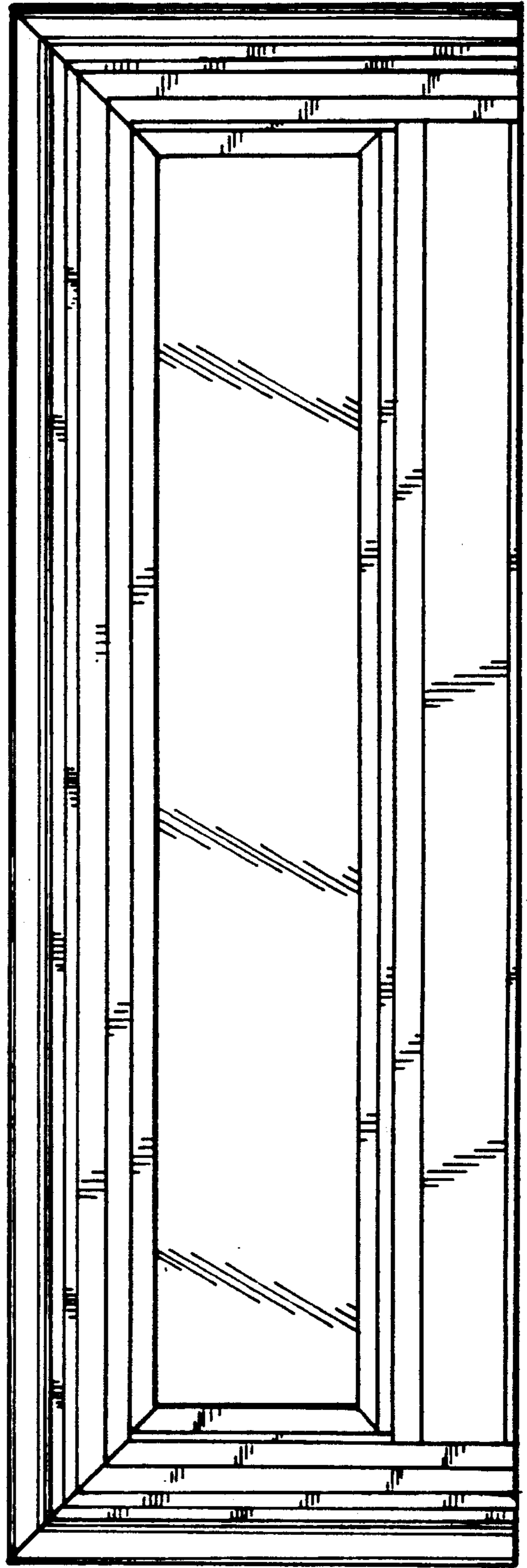


FIG. 3

FIG. 4



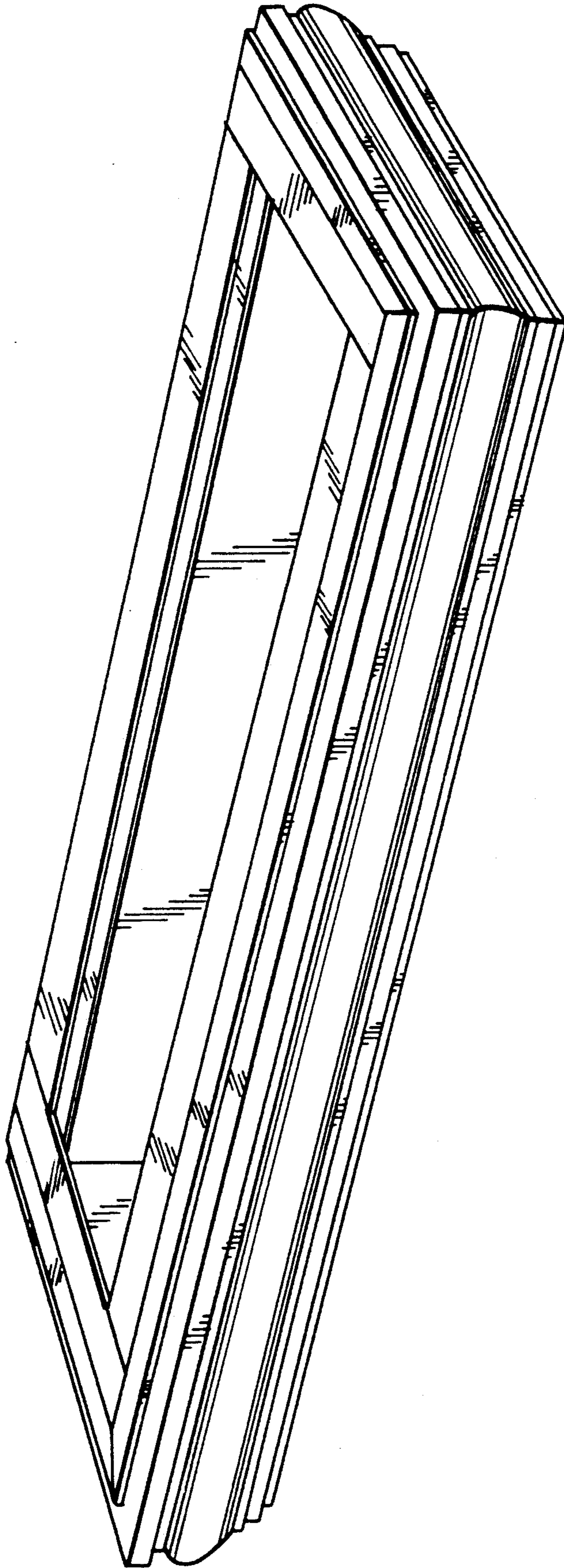


FIG. 5

FIG. 6

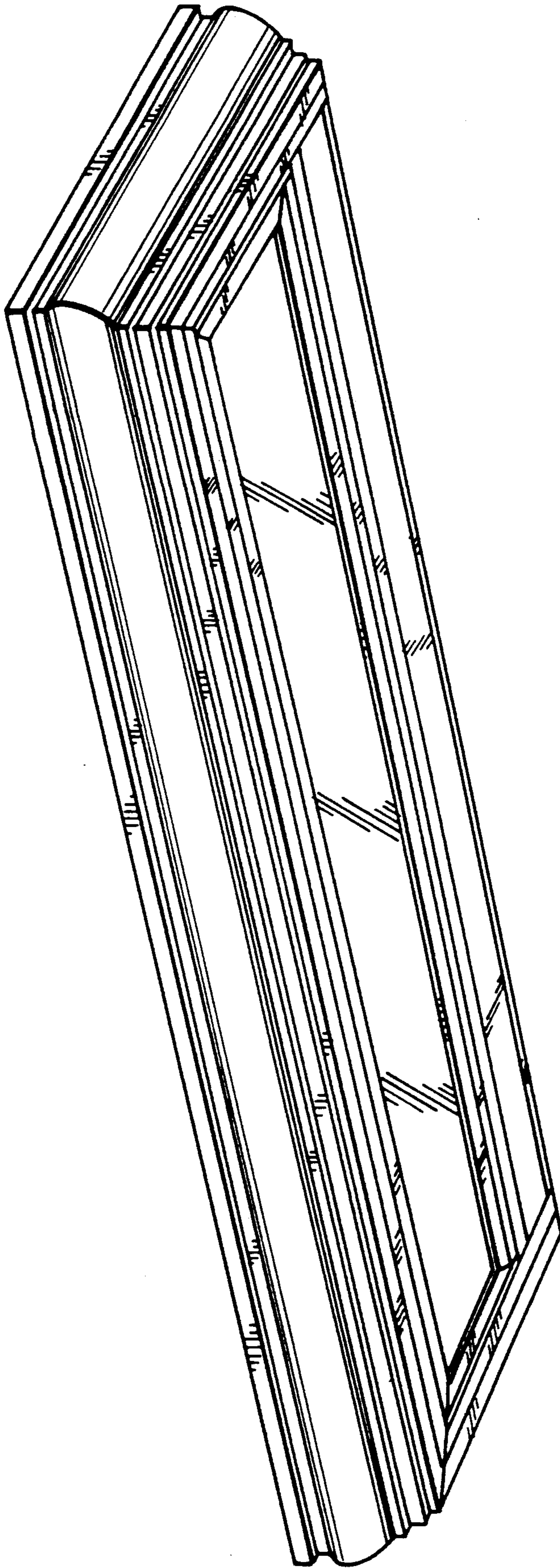


FIG. 7

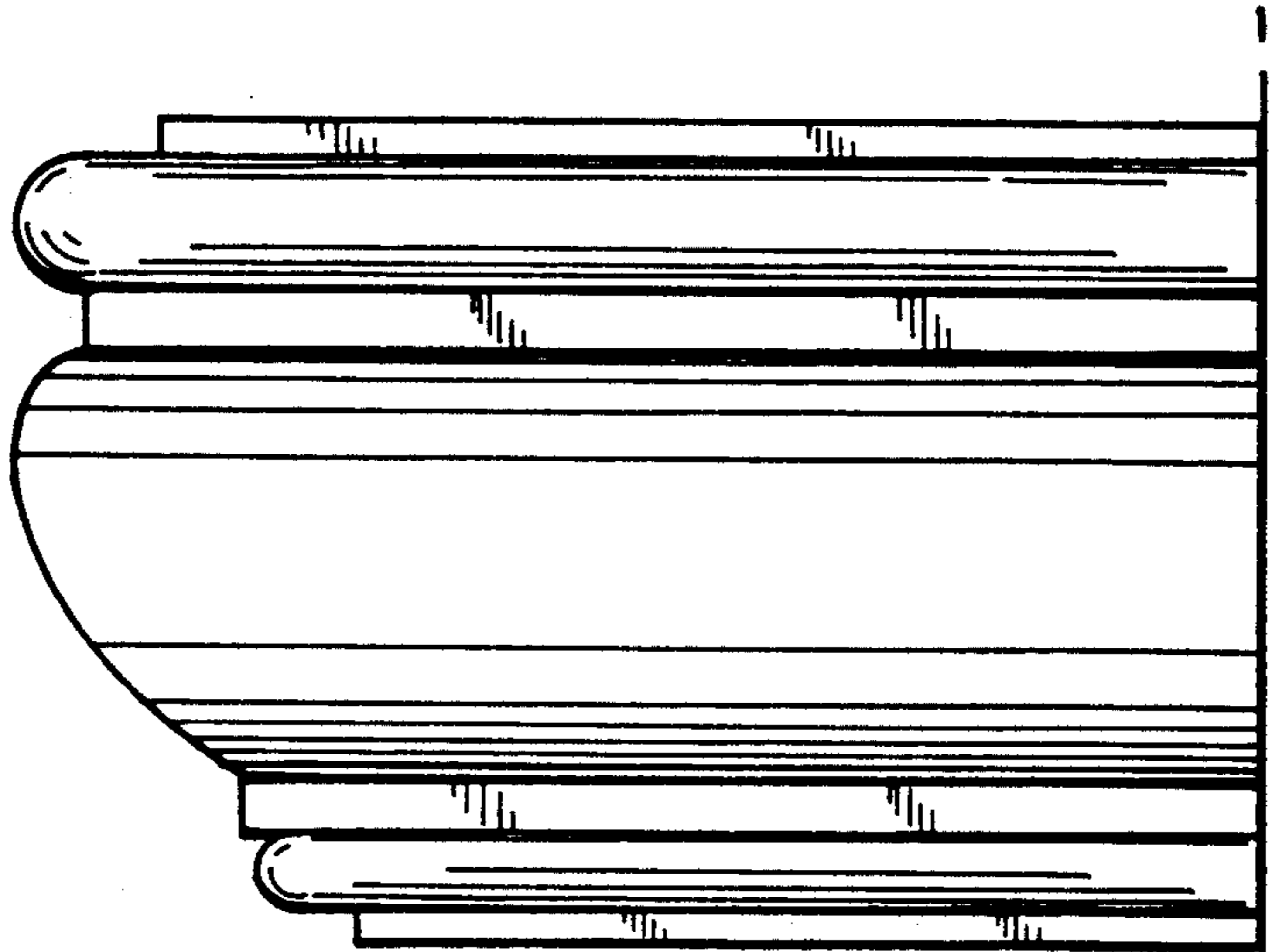


FIG. 8

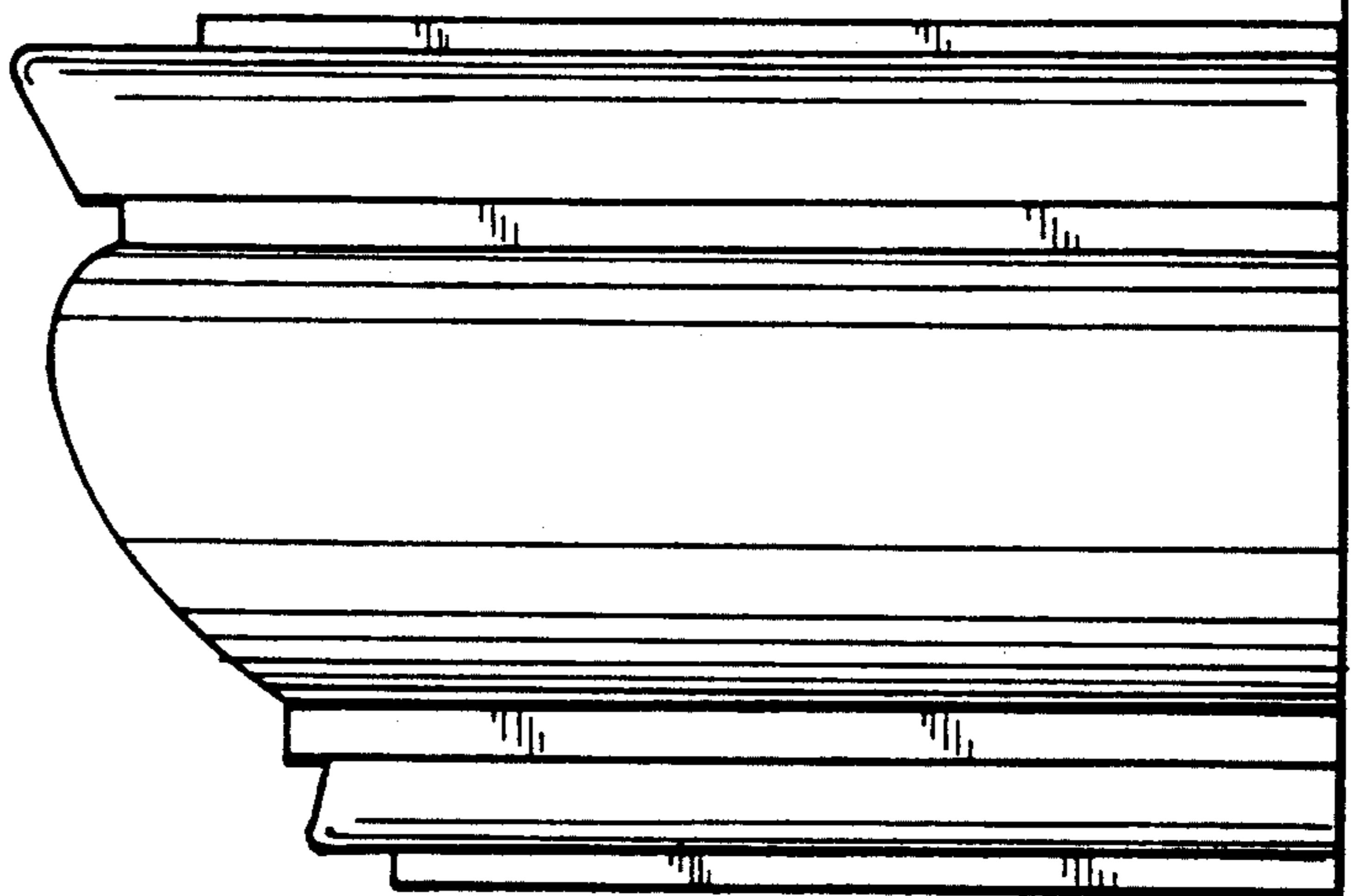


FIG. 9

