



US00D344362S

# United States Patent [19]

[11] Patent Number: **Des. 344,362**

Engle

[45] Date of Patent: **\*\* Feb. 15, 1994**

[54] **HOSPITAL ROOM LAMP**

[75] Inventor: **Joseph D. Engle, Naperville, Ill.**

[73] Assignee: **Alkco Manufacturing Company, Franklin Park, Ill.**

[\*\*] Term: **14 Years**

[21] Appl. No.: **948,881**

[22] Filed: **Sep. 21, 1992**

[52] U.S. Cl. .... **D26/72**

[58] Field of Search ..... **362/147, 404-408, 362/432; D26/72, 80-92, 75, 76, 77, 78**

[56] **References Cited**

**U.S. PATENT DOCUMENTS**

- D. 304,862 11/1989 DiCola ..... D26/72 X
- D. 306,772 3/1990 De'Armond ..... D26/72 X
- 2,732,484 1/1956 Lipscomb ..... 362/218
- 4,816,969 3/1989 Miller ..... D26/85 X

**OTHER PUBLICATIONS**

Architectural Lighting Systems, Inc., Condensed Catalog, 1986, p. 4, Wall Lighting Sconce #172  
 Architectural Lighting Systems, Inc., Condensed Catalog, 1986, p. 4, Wall Lighting Sconce #173.

*Primary Examiner*—Susan J. Lucas

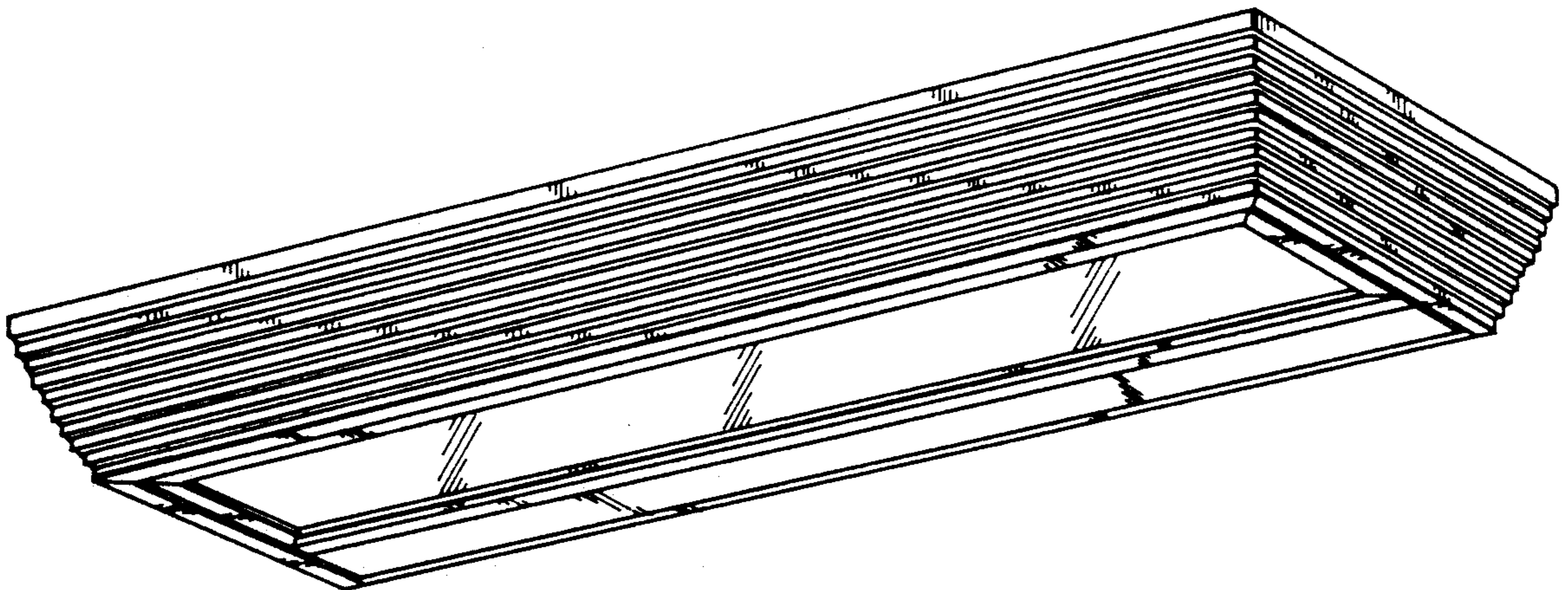
*Attorney, Agent, or Firm*—Fitzpatrick, Cella, Harper & Scinto

[57] **CLAIM**

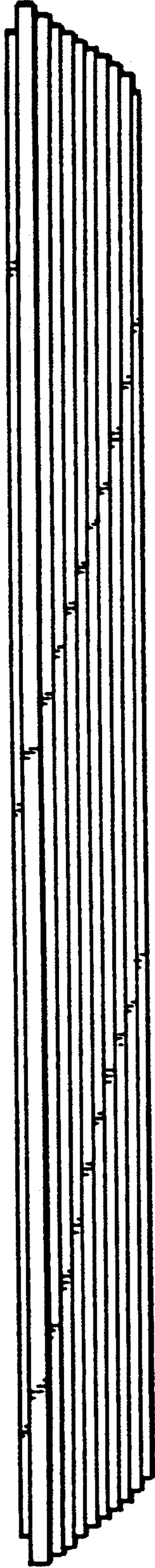
The ornamental design for a hospital room lamp, as shown and described.

**DESCRIPTION**

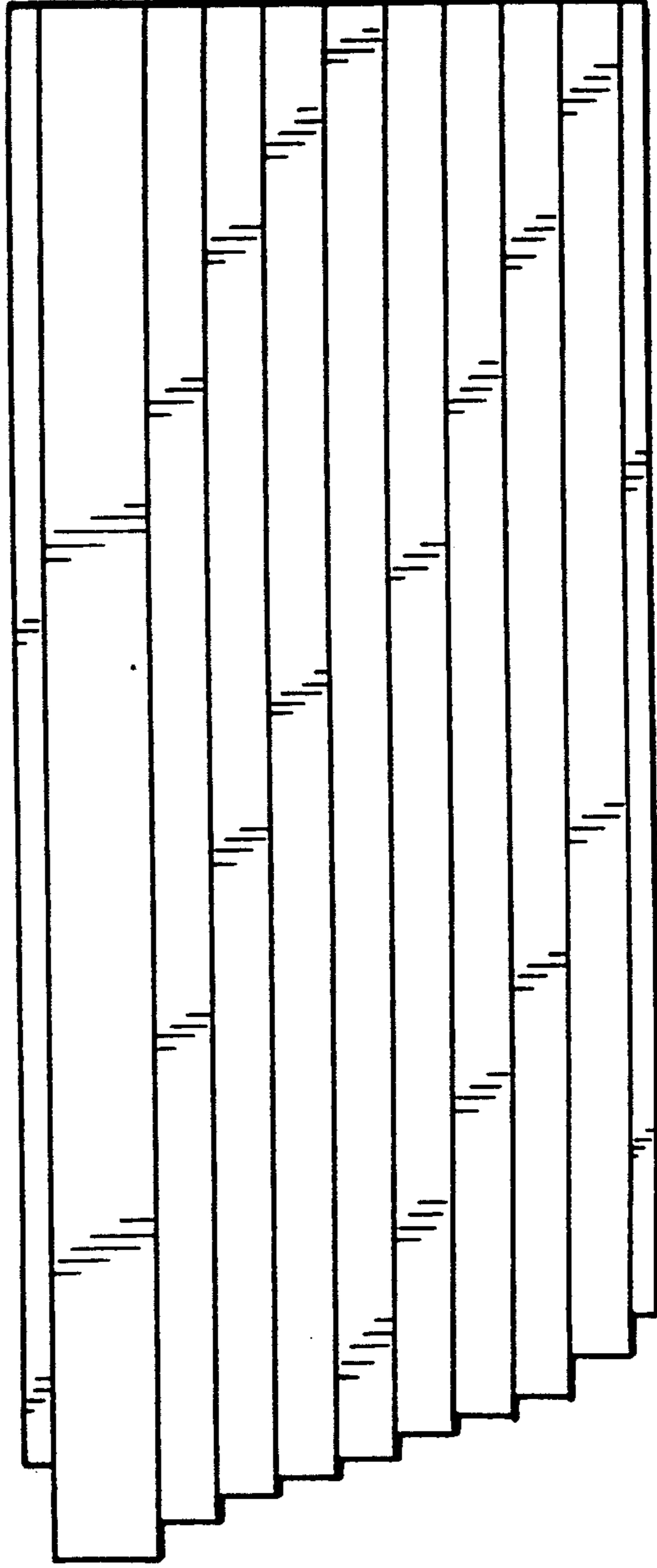
FIG. 1 is a front elevational view of the hospital room lamp showing my design;  
 FIG. 2 is a side view of the hospital room lamp on an enlarged scale, the opposite side being a mirror image;  
 FIG. 3 is a top view of the hospital room lamp;  
 FIG. 4 is a bottom view of the hospital room lamp;  
 FIG. 5 is a top perspective view of the hospital room lamp;  
 FIG. 6 is a bottom perspective view of the hospital room lamp; and,  
 FIGS. 7, 8 and 9 are fragmentary front elevational views of second, third, and fourth embodiments respectively of the hospital room lamp of the design, half of each embodiment being omitted for convenience of illustration.  
 The top and bottom views of the second, third, and fourth embodiments are identical to those of the first embodiment.  
 The sides of the hospital room lamp embodiments of FIGS. 5, 6 and 7 are identical to the partial front views of those Figures.



**FIG. 1**



**FIG. 2**



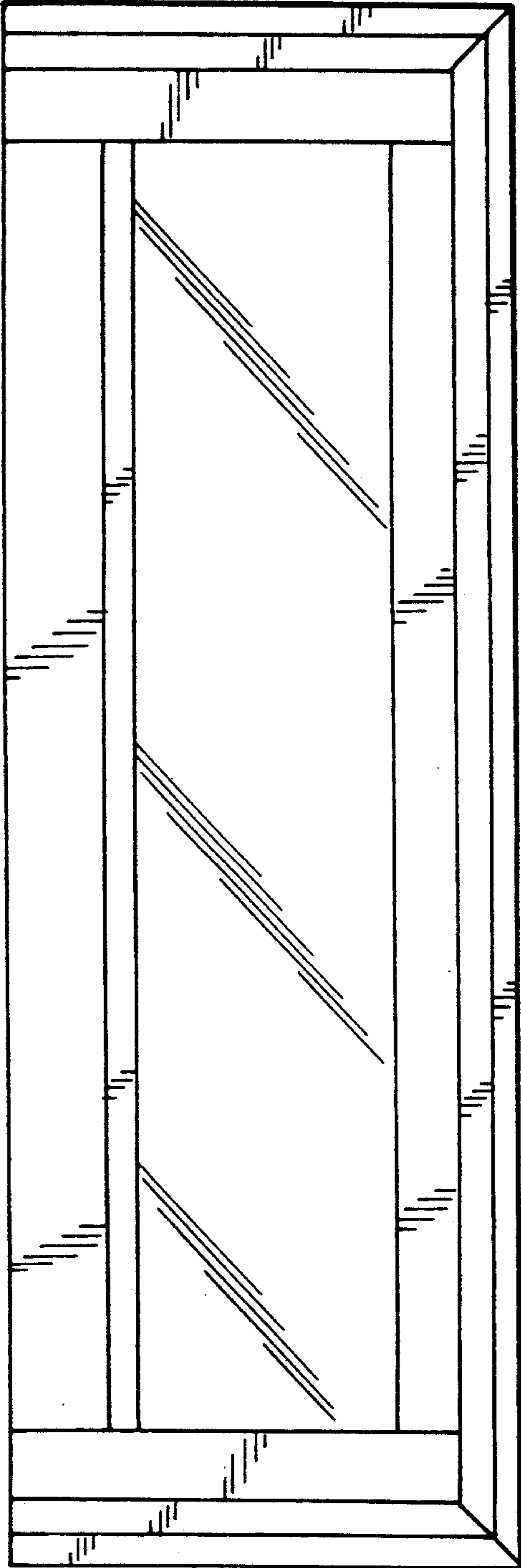
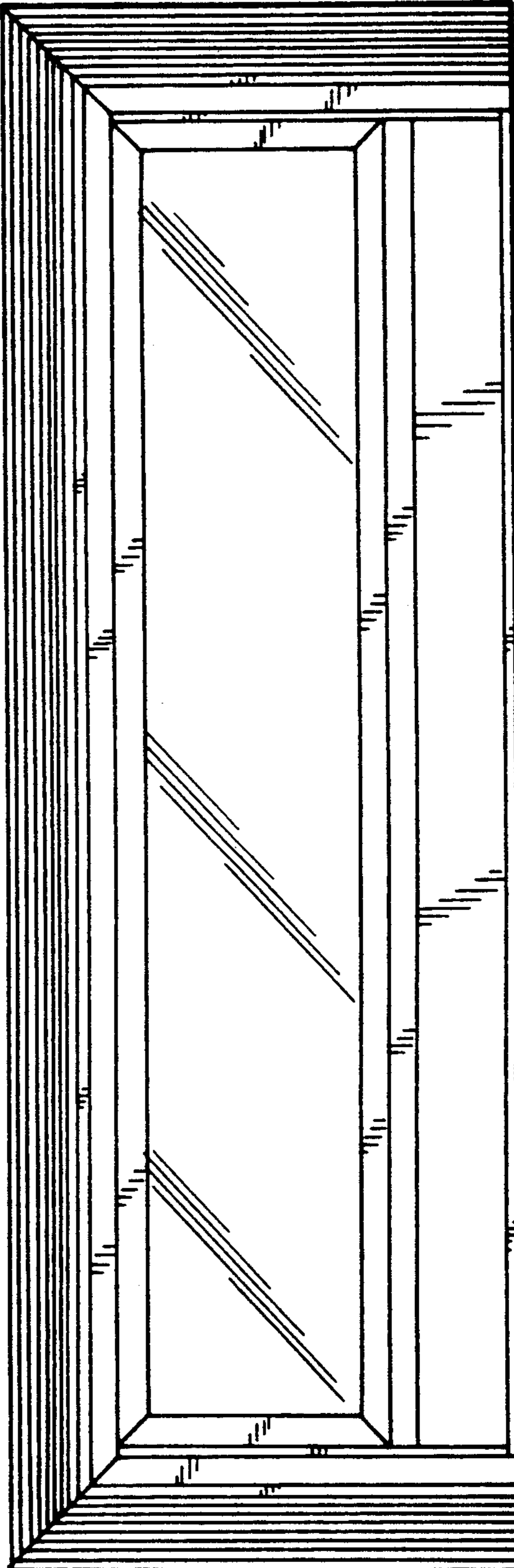


FIG. 3

FIG. 4





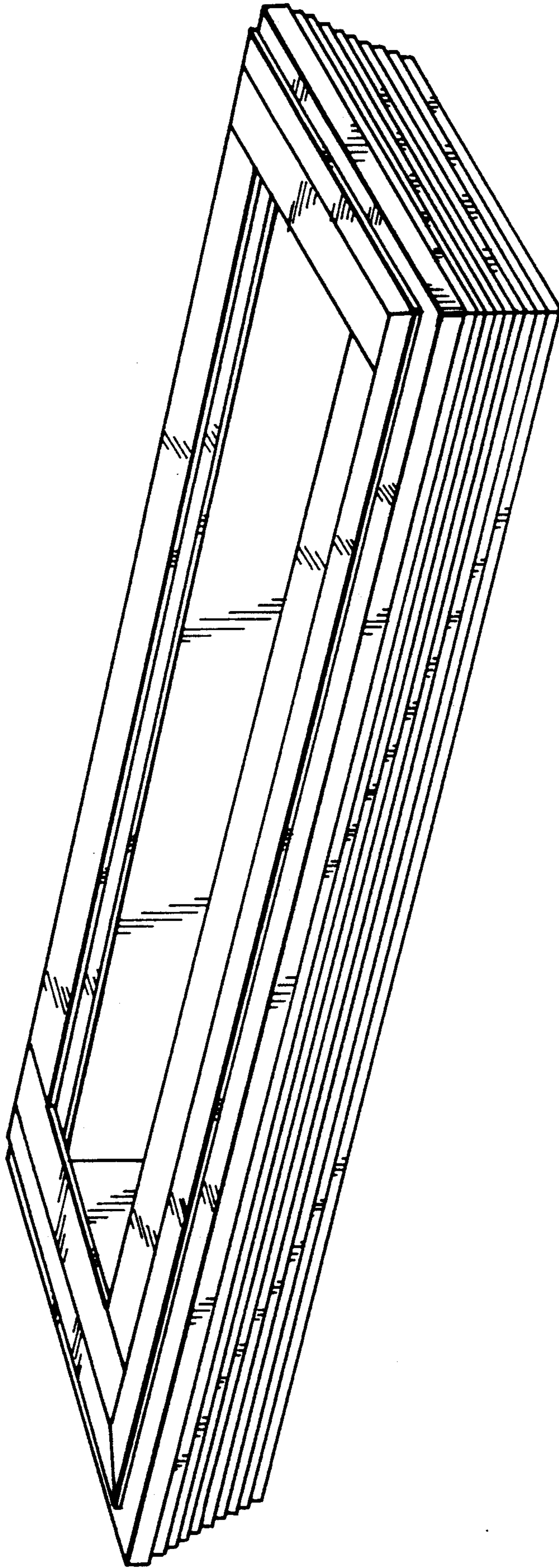
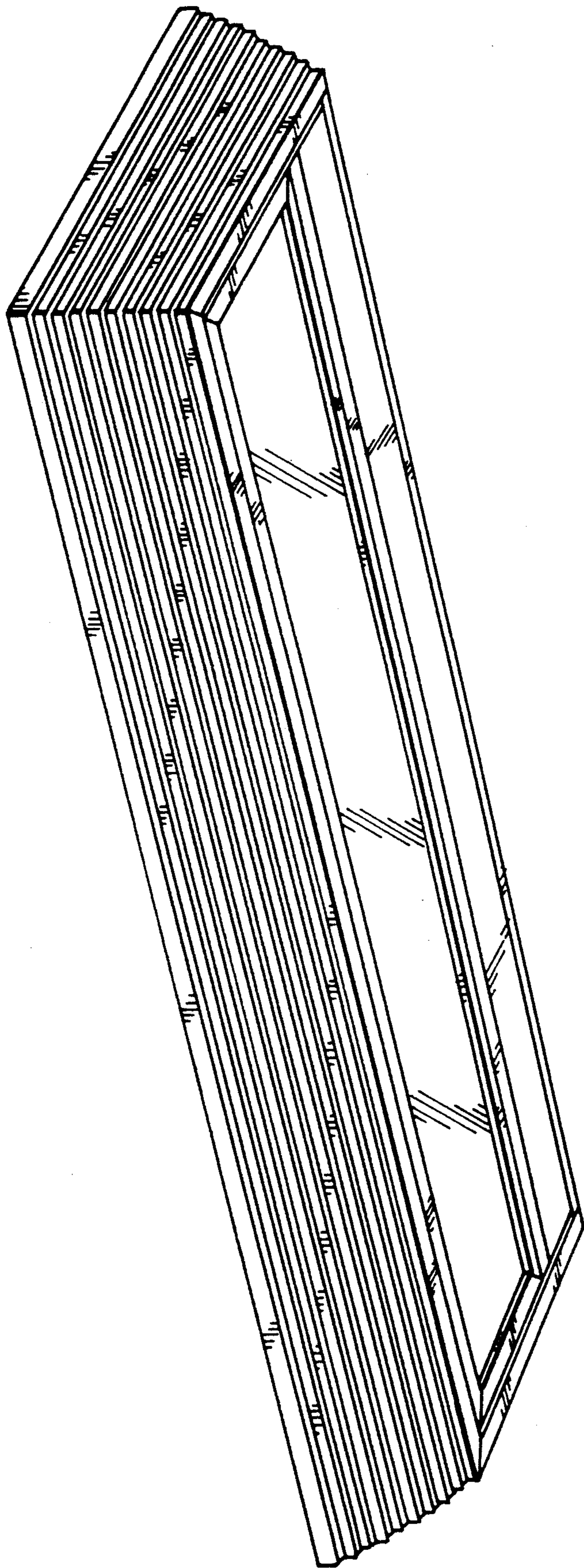
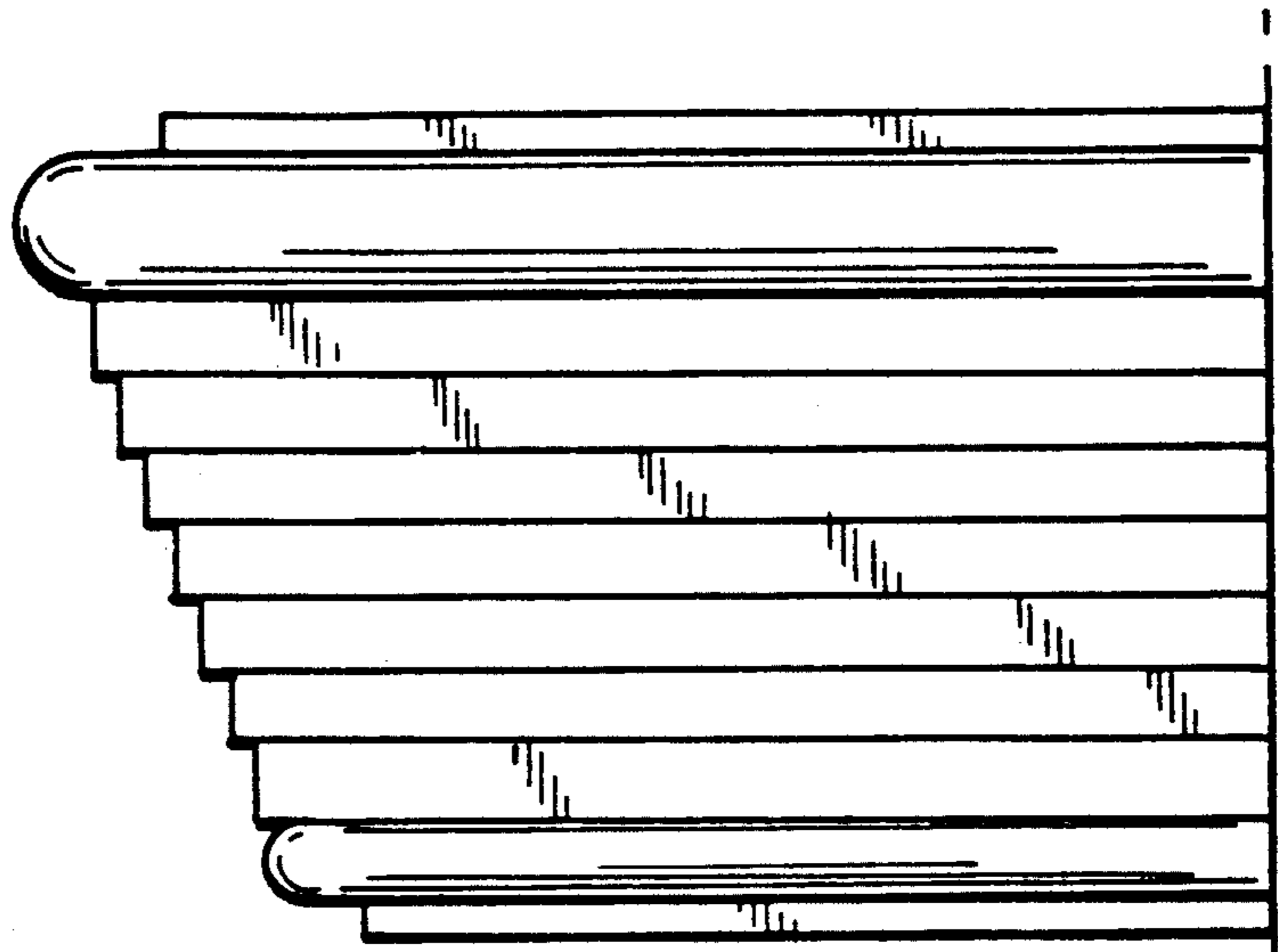


FIG. 5

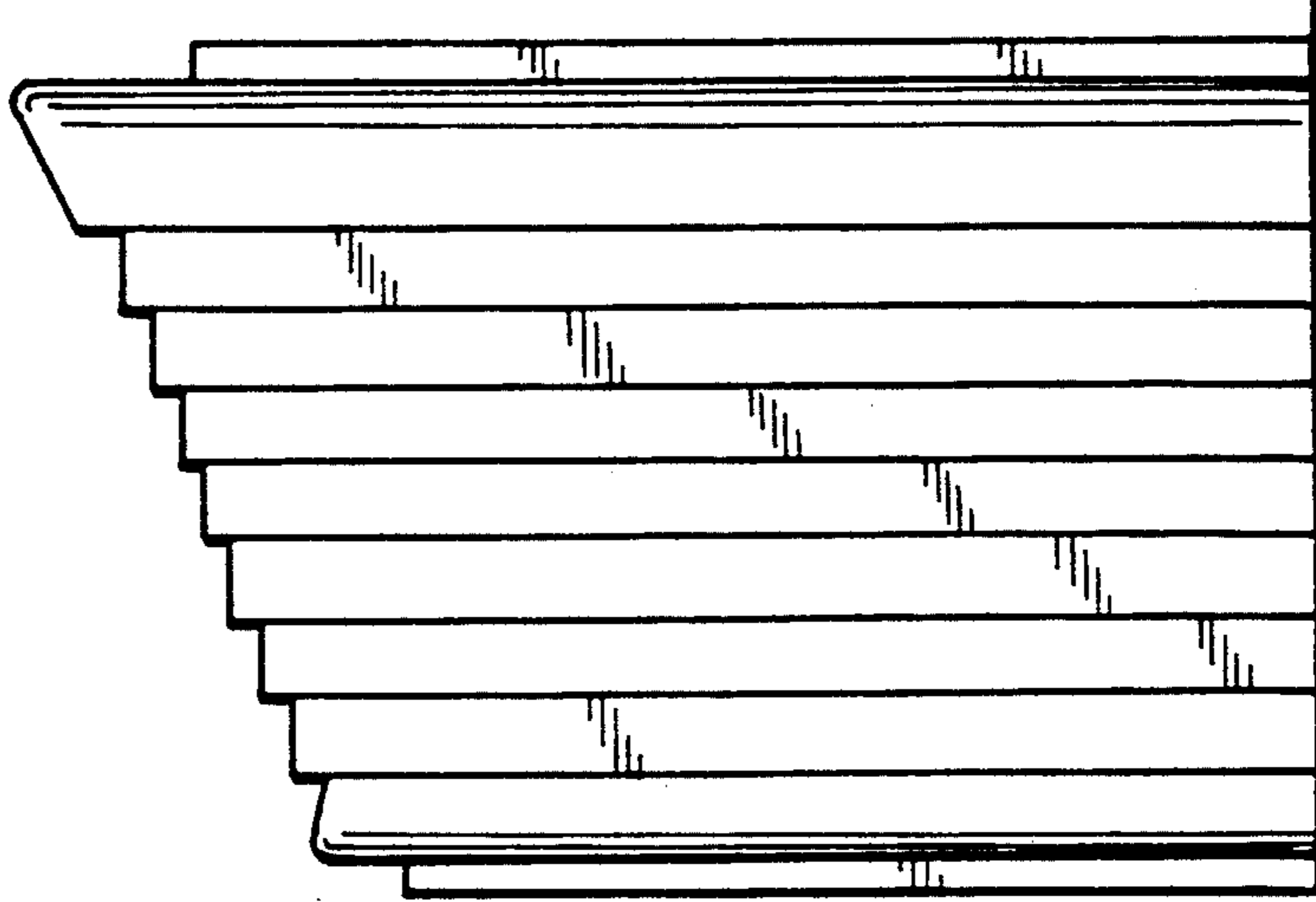
FIG. 6



**FIG. 7**



**FIG. 8**



**FIG. 9**

