



US00D344361S

United States Patent [19]

[11] Patent Number: **Des. 344,361**

Friedman et al.

[45] Date of Patent: **** Feb. 15, 1994**

[54] **DESK LAMP**

D. 166,951 6/1952 Christy D26/107 X
D. 321,951 11/1991 Dieperink D26/107
2,371,861 3/1945 Weir D26/109 X

[75] Inventors: **Frank Friedman, Portland, Oreg.;**
Charles E. Bain, West Dundee, Ill.

Primary Examiner—Susan J. Lucas
Attorney, Agent, or Firm—Marshall W. Sutker

[73] Assignee: **Reflector Hardware Corporation,**
Melrose Park, Ill.

[57] **CLAIM**

[**] Term: **14 Years**

The ornamental design for a desk lamp, as shown and described.

[21] Appl. No.: **864,916**

DESCRIPTION

[22] Filed: **Apr. 3, 1992**

FIG. 1 is a perspective view of a desk lamp showing our new design;

[52] U.S. Cl. **D26/107**

FIG. 2 is a top plan view thereof;

[58] Field of Search **362/410-414;**
D26/93, 102-112

FIG. 3 is a front elevational view thereof;

FIG. 4 is a side elevational view thereof, with the other side elevational view being a mirror image thereof;

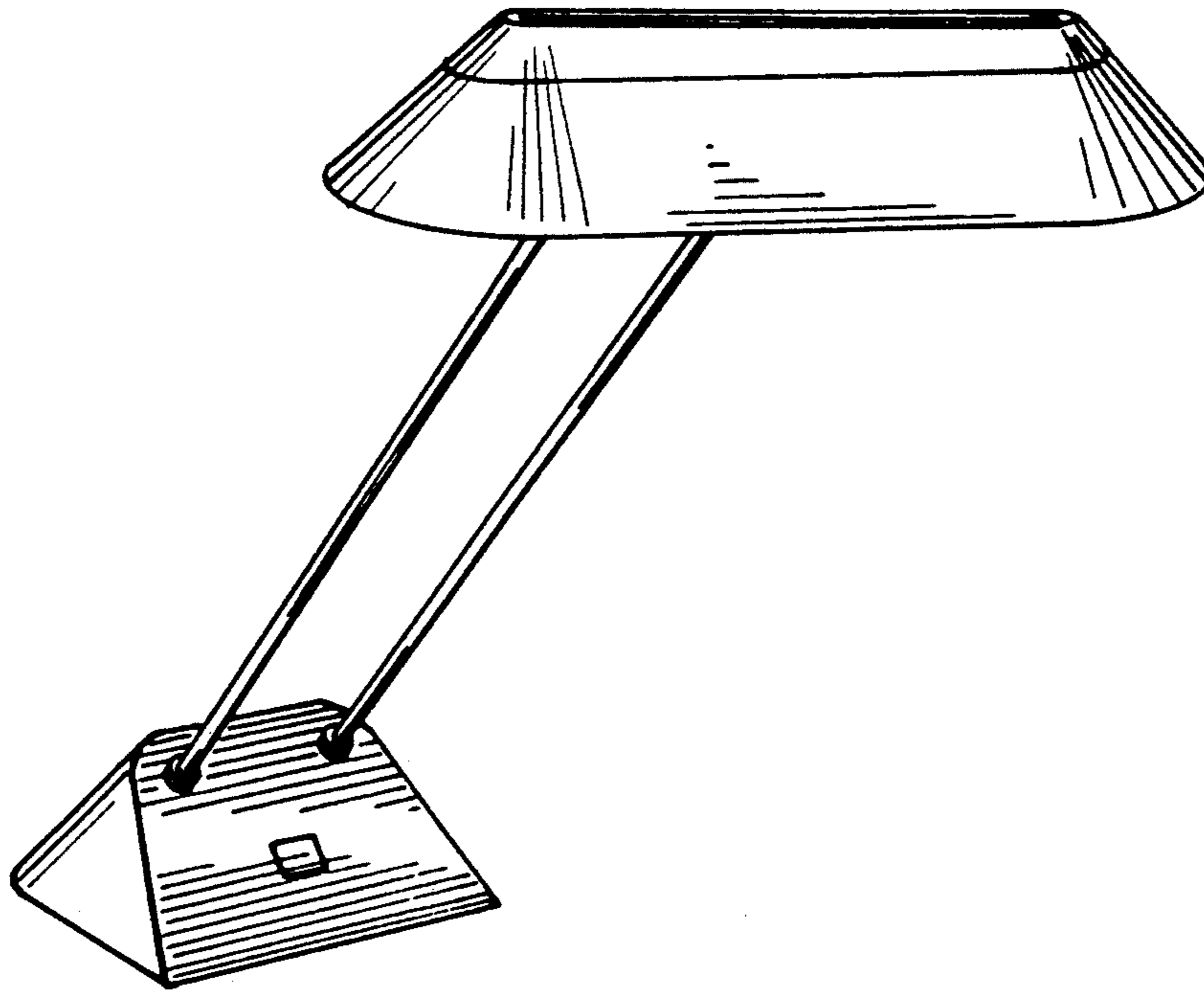
FIG. 5 is a rear elevational view thereof; and,

FIG. 6 is a bottom plan view thereof.

[56] **References Cited**

U.S. PATENT DOCUMENTS

D. 117,574 11/1939 Murray D26/109 X



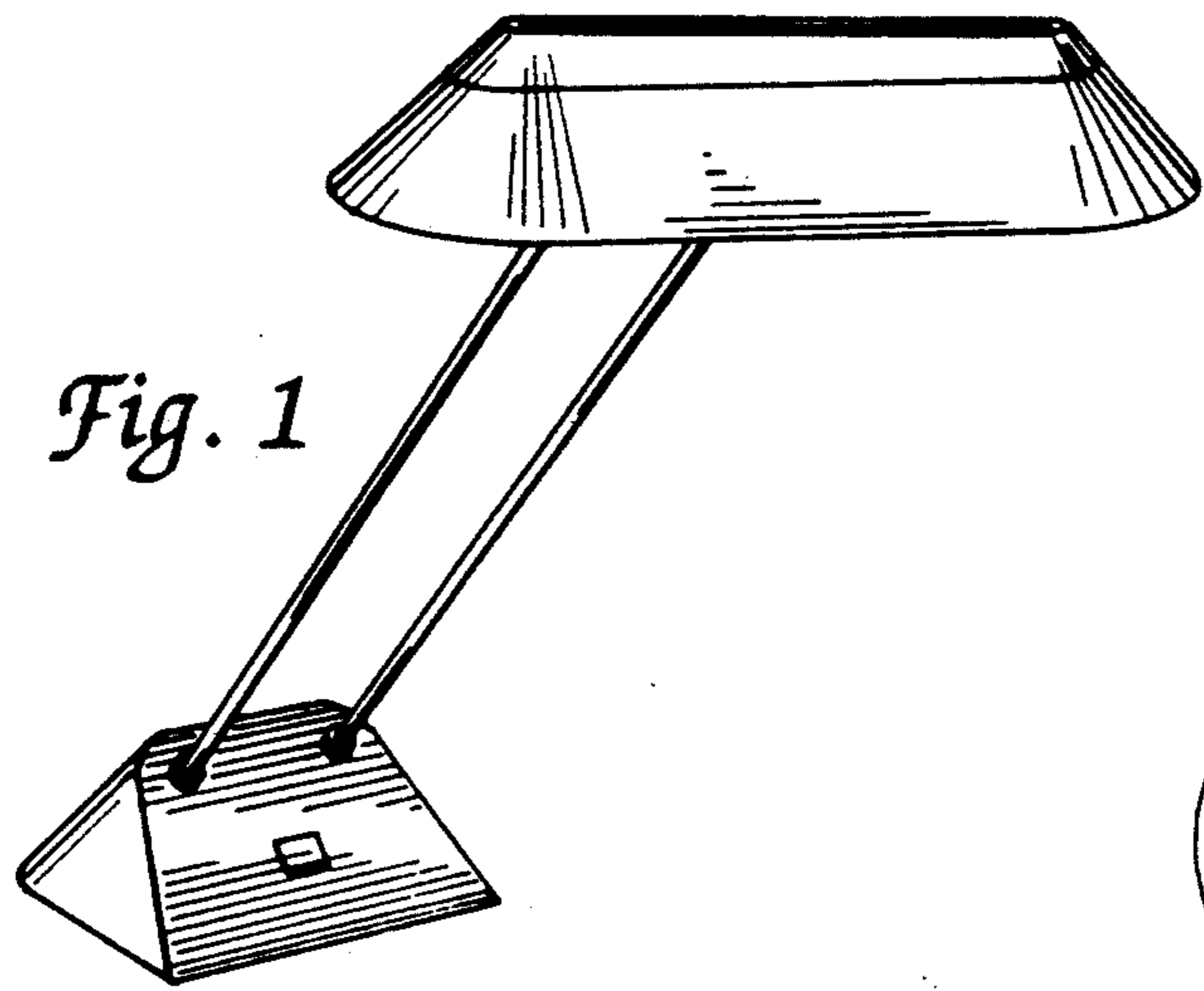


Fig. 1

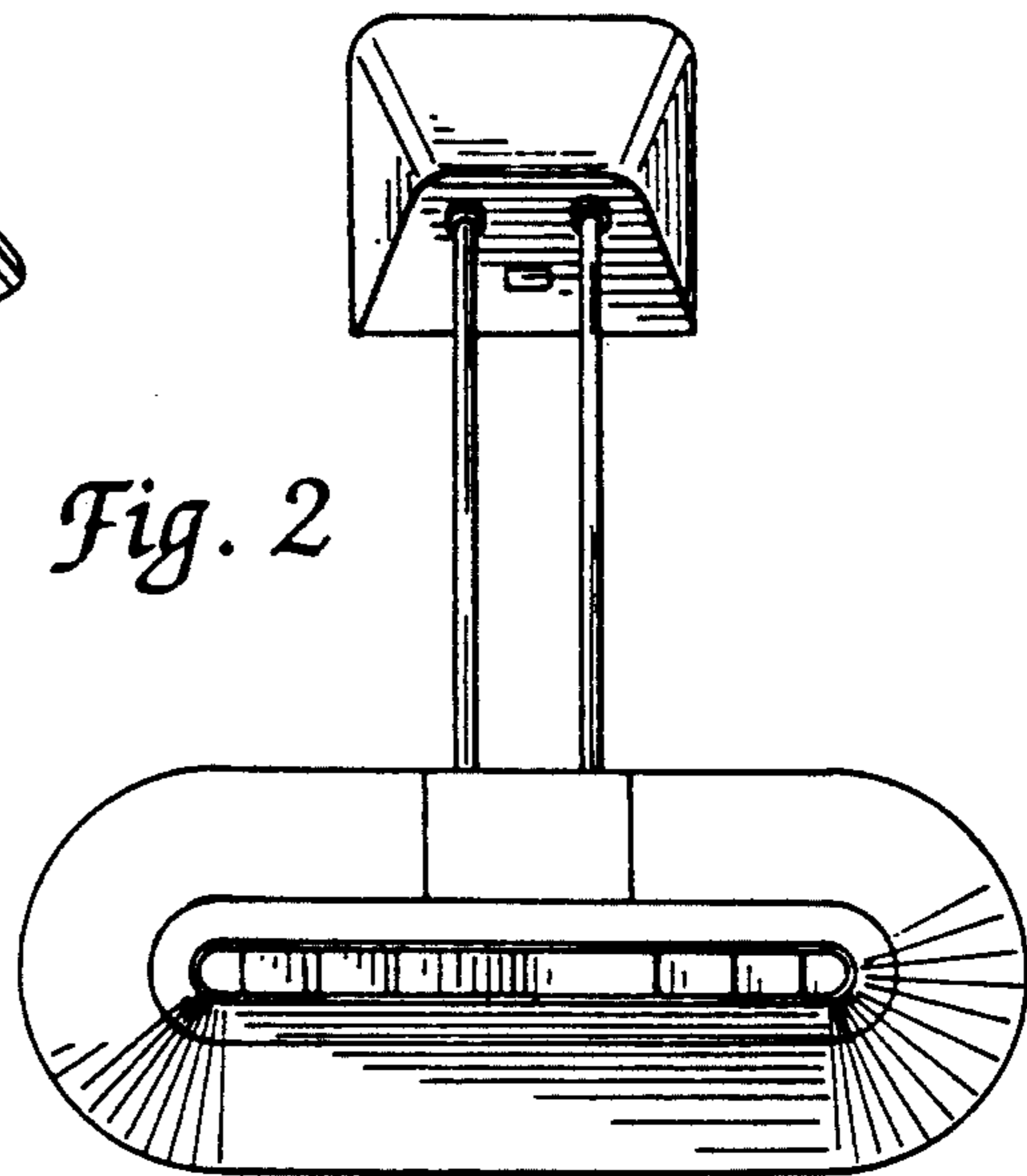


Fig. 2

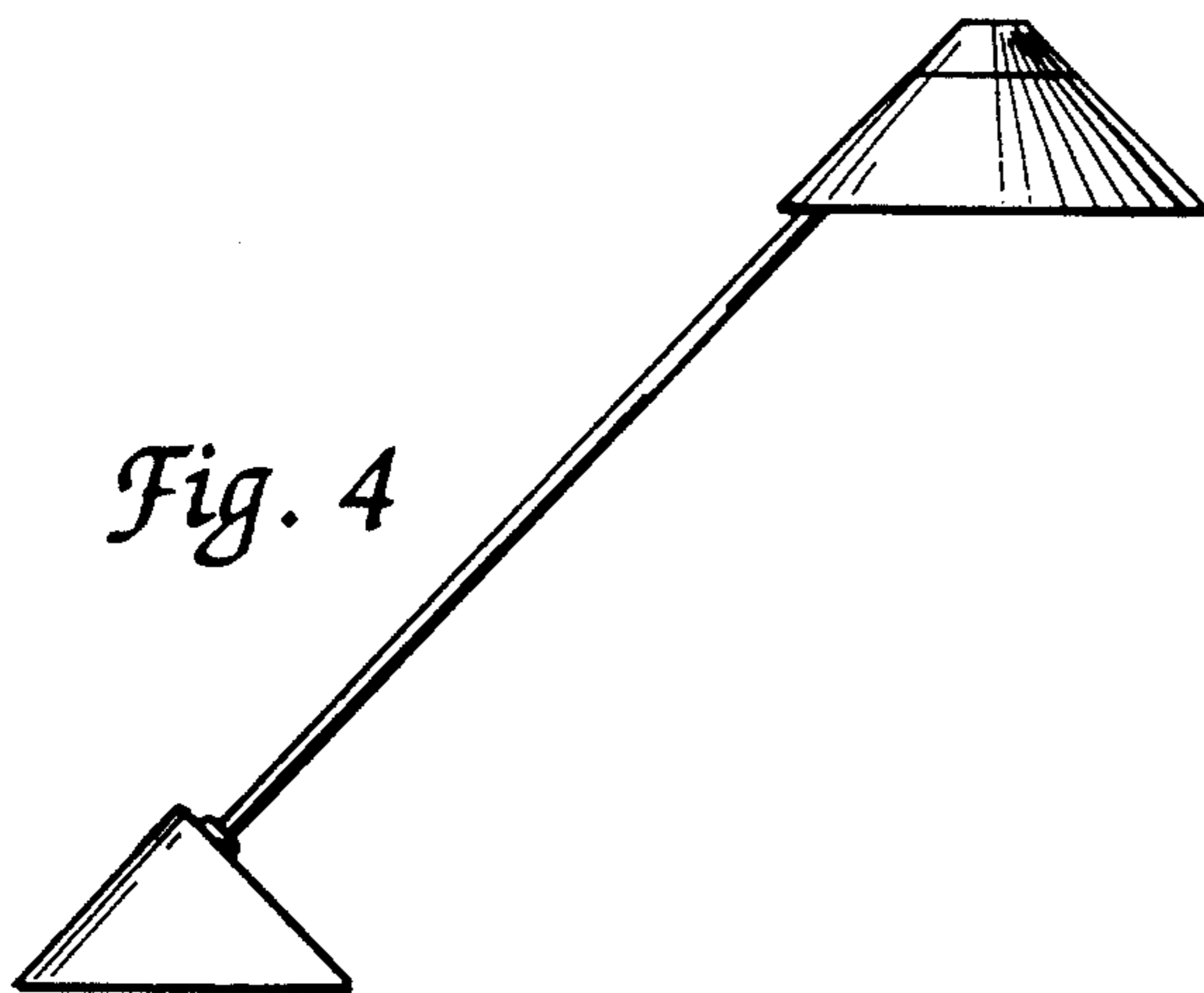


Fig. 4

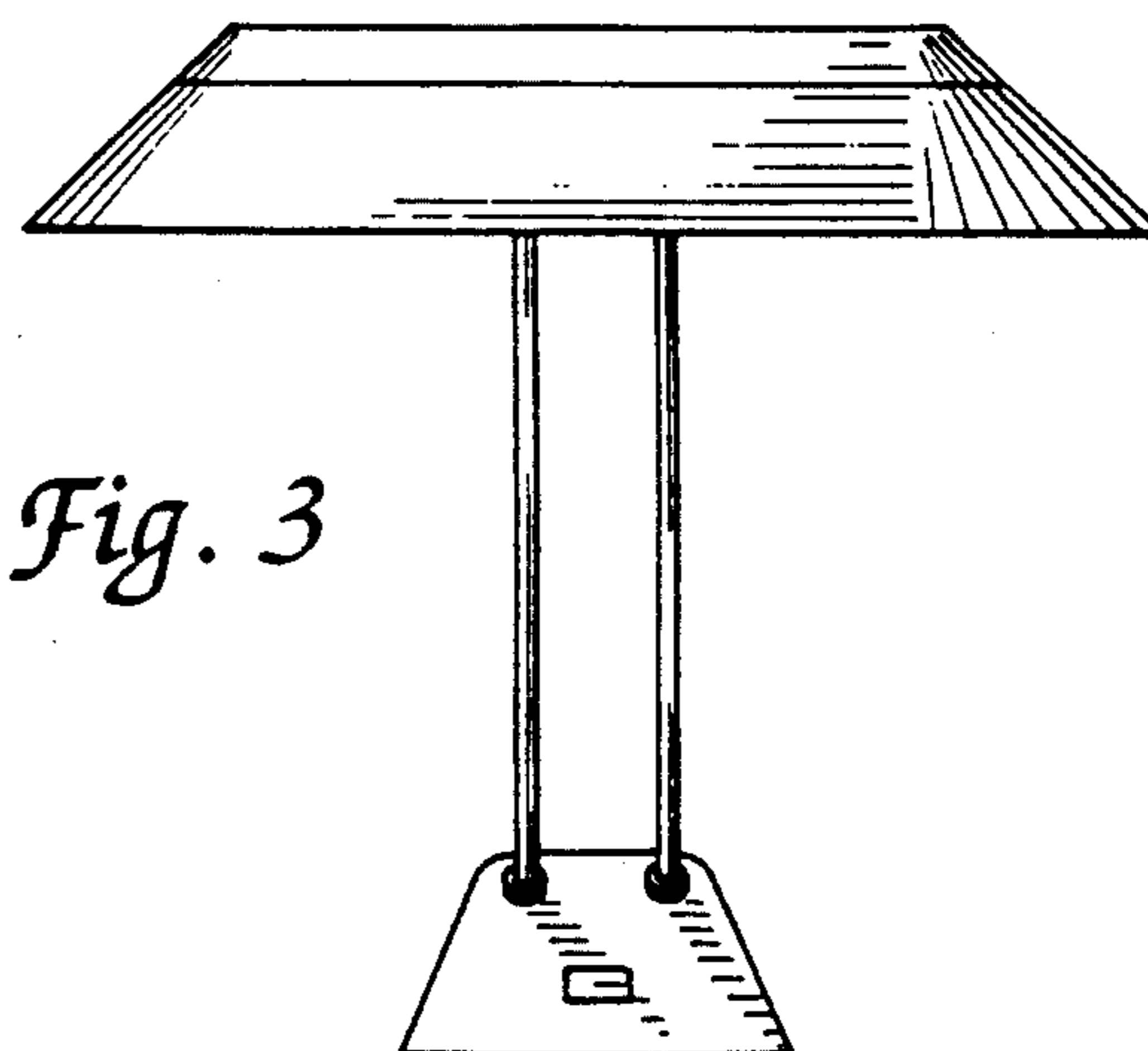


Fig. 3

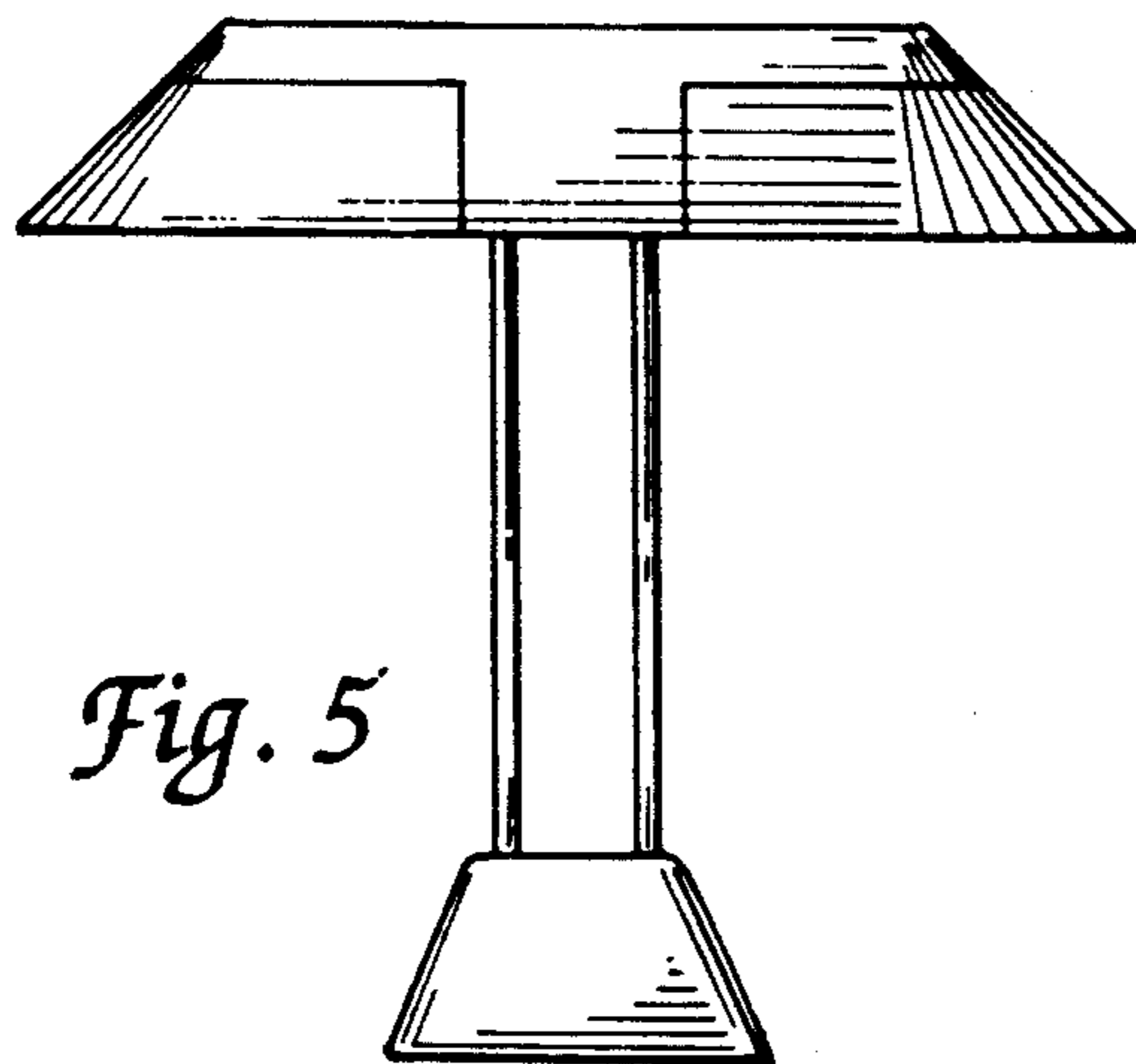


Fig. 5

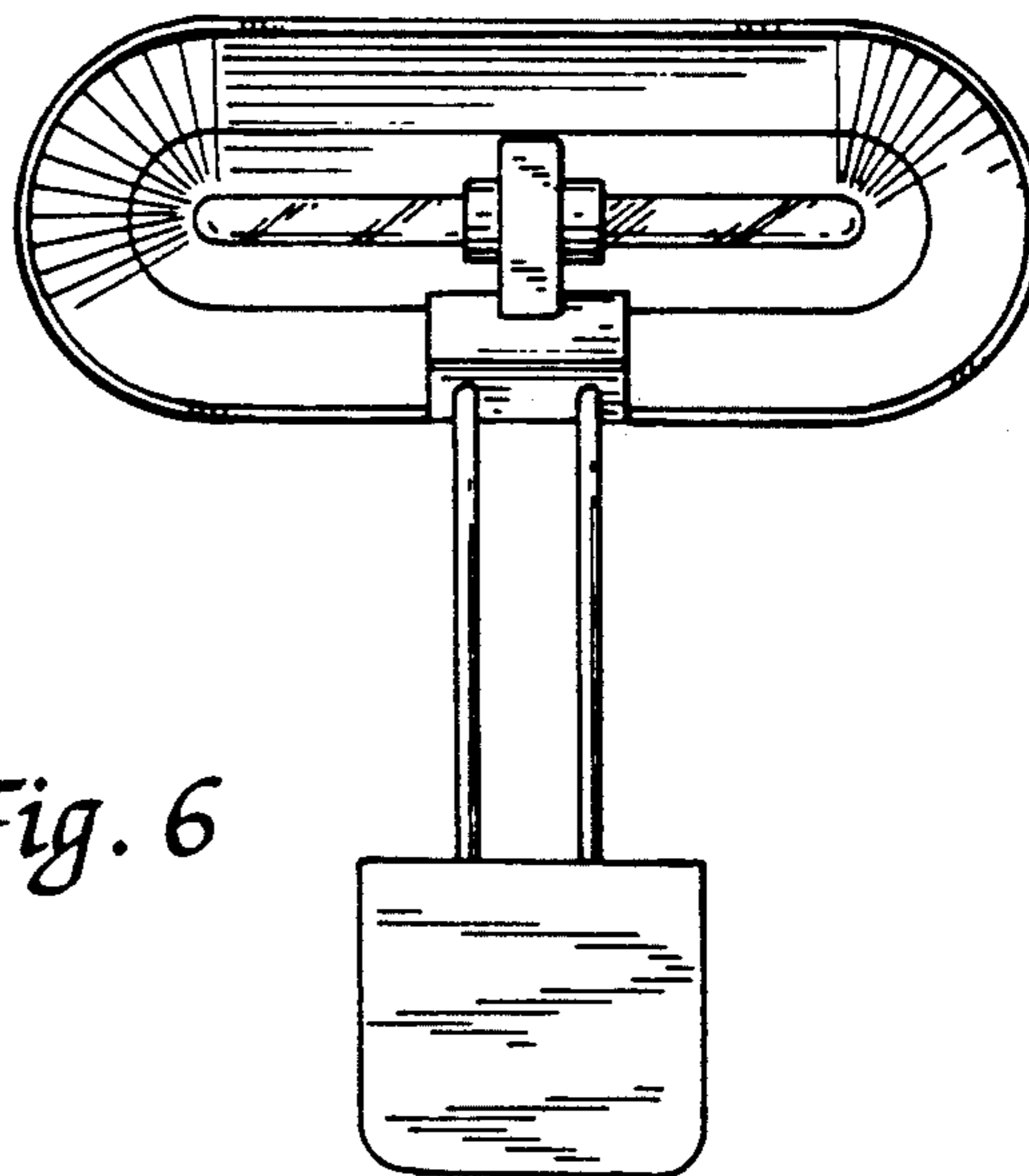


Fig. 6