



US00D344354S

**United States Patent** [19]  
**Cole**

[11] **Patent Number: Des. 344,354**

[45] **Date of Patent: \*\* Feb. 15, 1994**

[54] **WINDOW COMPONENT EXTRUSION**

[56]

**References Cited**

**U.S. PATENT DOCUMENTS**

D. 288,965 3/1987 Hardy ..... D25/124  
4,524,112 6/1985 Willert ..... 48/504

[75] **Inventor: Douglas L. Cole, Seattle, Wash.**

*Primary Examiner*—A. Hugo Word  
*Assistant Examiner*—Doris Clark  
*Attorney, Agent, or Firm*—Seed and Berry

[73] **Assignee: Mikron Industries, Kent, Wash.**

[\*\*] **Term: 14 Years**

[57]

**CLAIM**

The ornamental design for a window component extrusion, as shown and described.

[21] **Appl. No.: 880,352**

**DESCRIPTION**

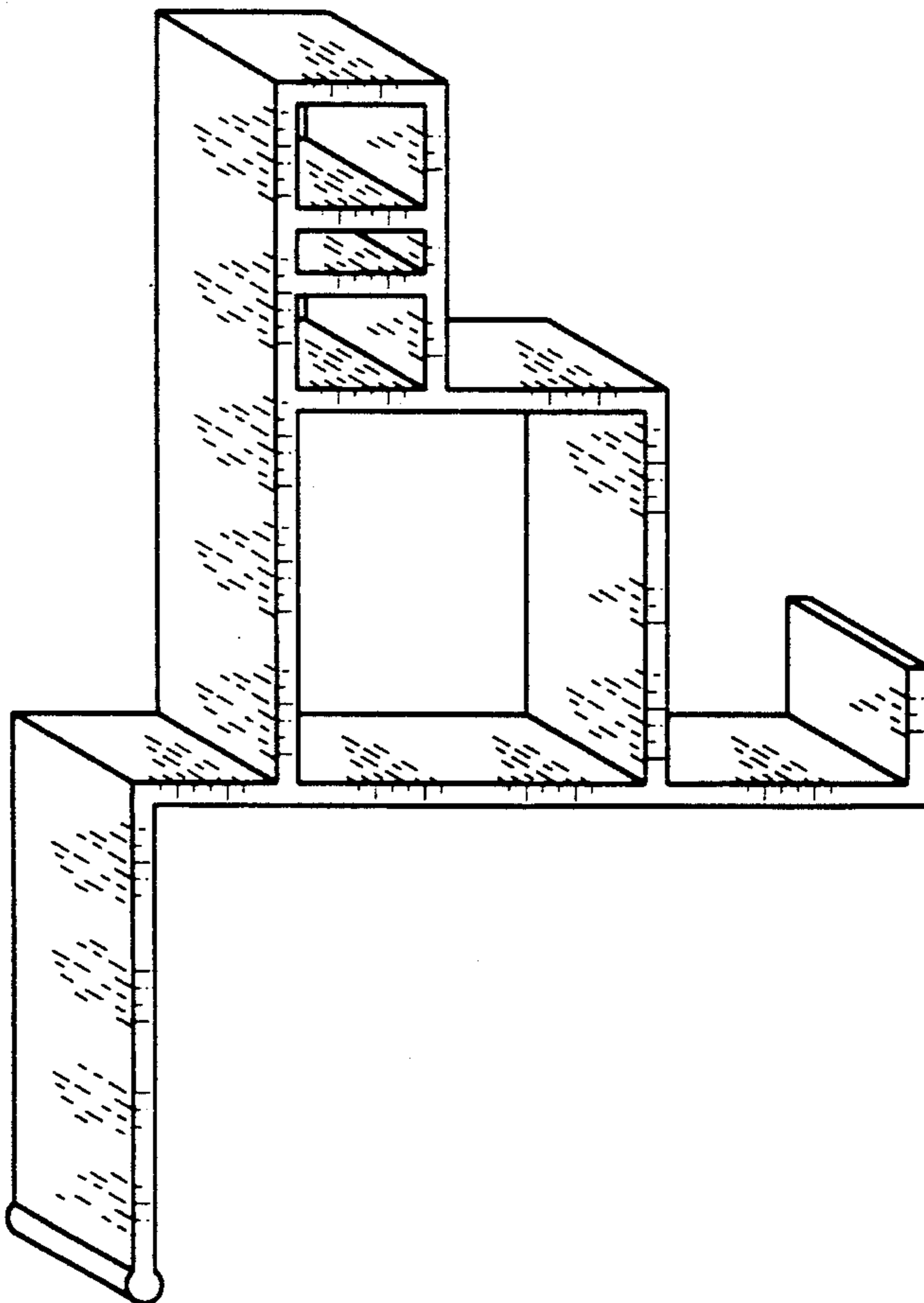
[22] **Filed: May 7, 1992**

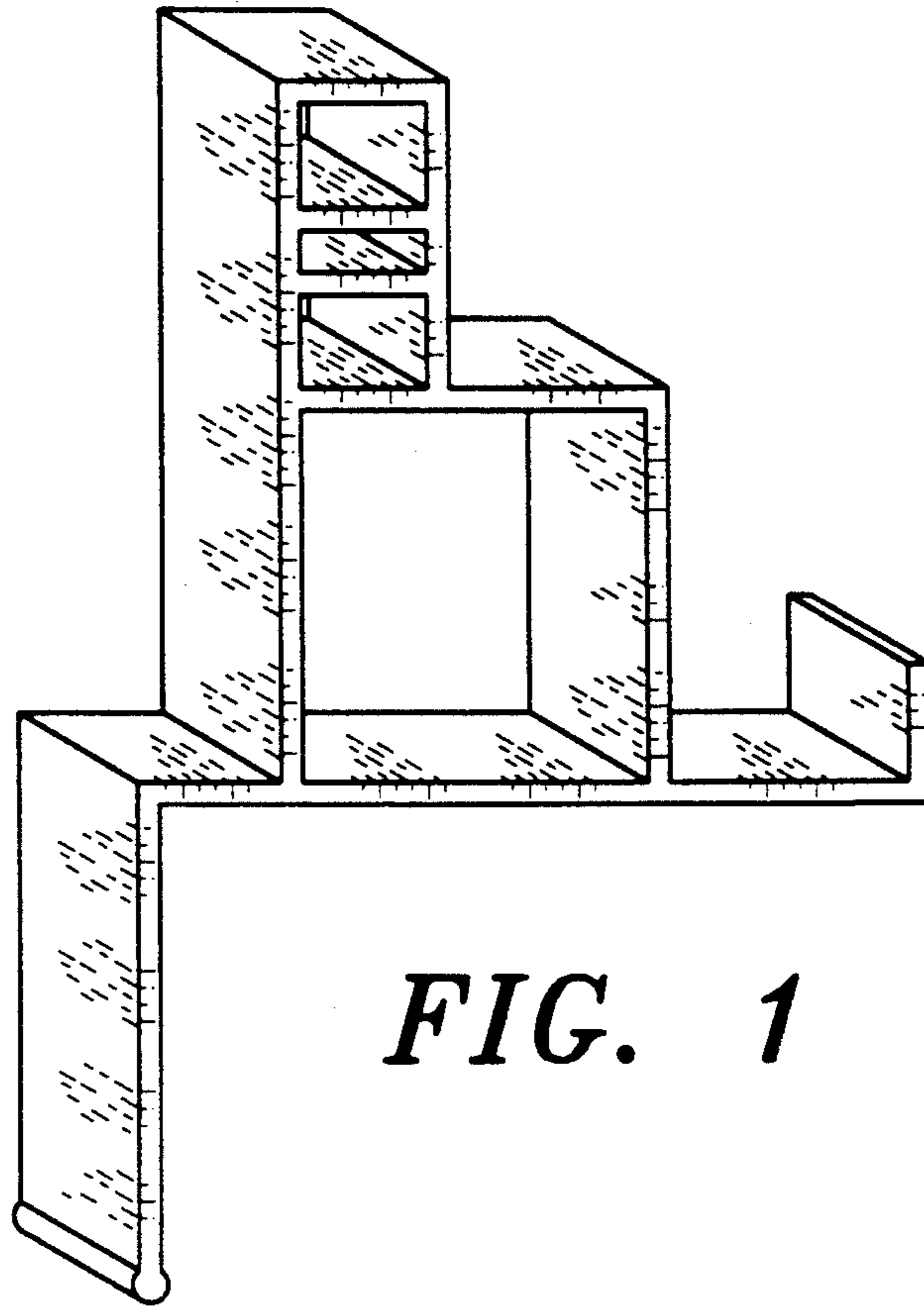
FIG. 1 is a perspective view of a window component extrusion showing my new design viewed from the top right; and,

[52] **U.S. Cl. .... D25/124**

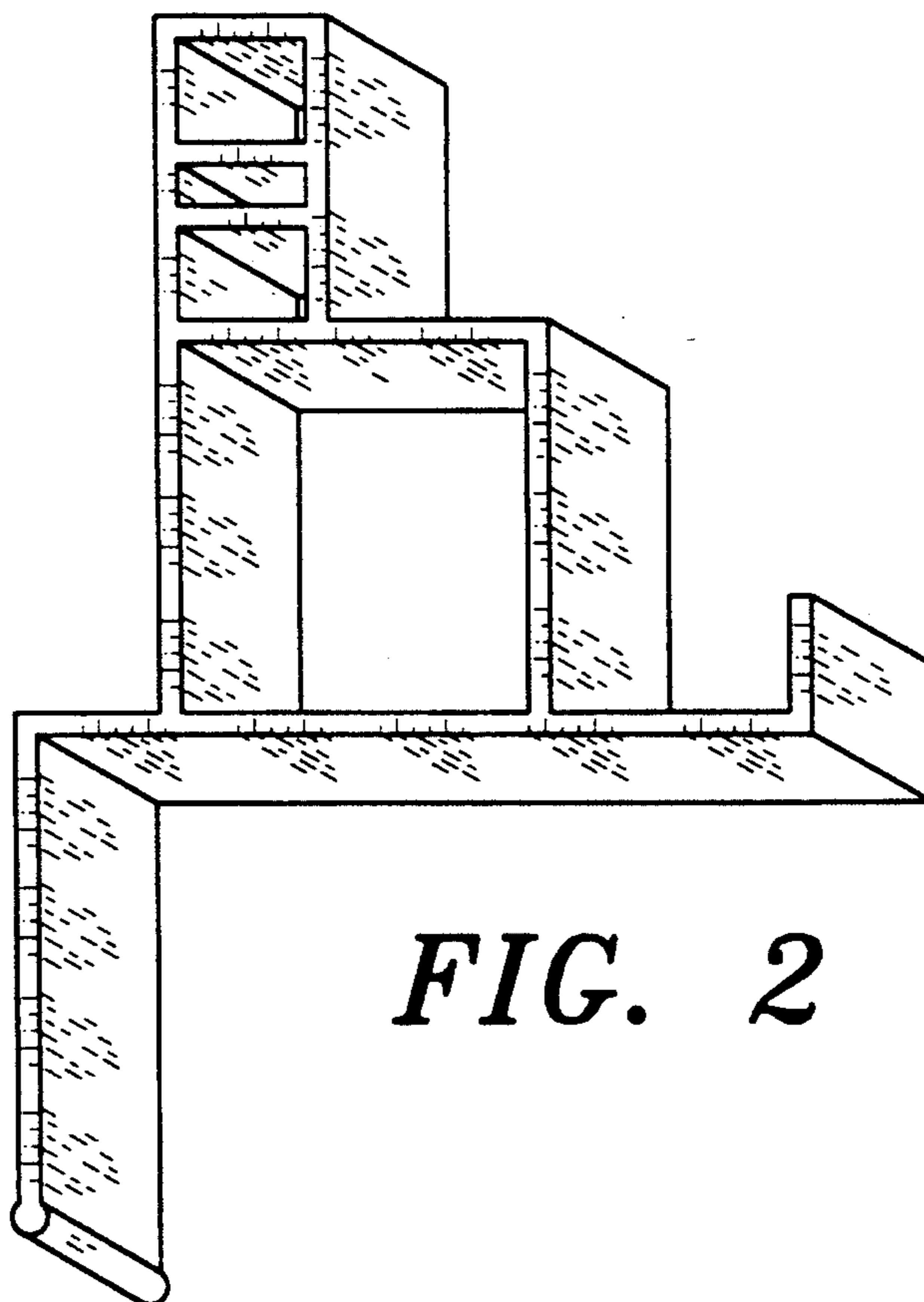
FIG. 2 is a perspective view thereof viewed from the bottom left.

[58] **Field of Search ..... 49/504, DIG. 2;  
D25/124-125**





*FIG. 1*



*FIG. 2*