



US00D344350S

United States Patent [19]

DePascale et al.

[11] Patent Number: **Des. 344,350**

[45] Date of Patent: **** Feb. 15, 1994**

[54] MOLDED BUILDING BLOCK

[76] Inventors: **Joseph P. DePascale**, 34 Caldwell Rd., Valley Stream, N.Y. 11580;
William Finger, 1920 New Haven Ave., Far Rockaway, N.Y. 11691

[**] Term: **14 Years**

[21] Appl. No.: **607,353**

[22] Filed: **Oct. 31, 1990**

[52] U.S. Cl. **D25/113**

[58] Field of Search 52/596, 608-609,
52/603, 447-448, 563; D25/112-118, 138, 145,
147, 148, 157-159; D21/108

3,845,618 11/1974 Meyerson D21/108
4,544,305 10/1985 Hair 52/608
4,719,737 1/1988 Swart 52/605

FOREIGN PATENT DOCUMENTS

16337 5/1956 Fed. Rep. of Germany 52/596
985586 7/1951 France 52/563

Primary Examiner—A. Hugo Word
Assistant Examiner—Doris Clark
Attorney, Agent, or Firm—Terry M. Gernstein

[57] CLAIM

The ornamental design for a molded building block, as shown and described.

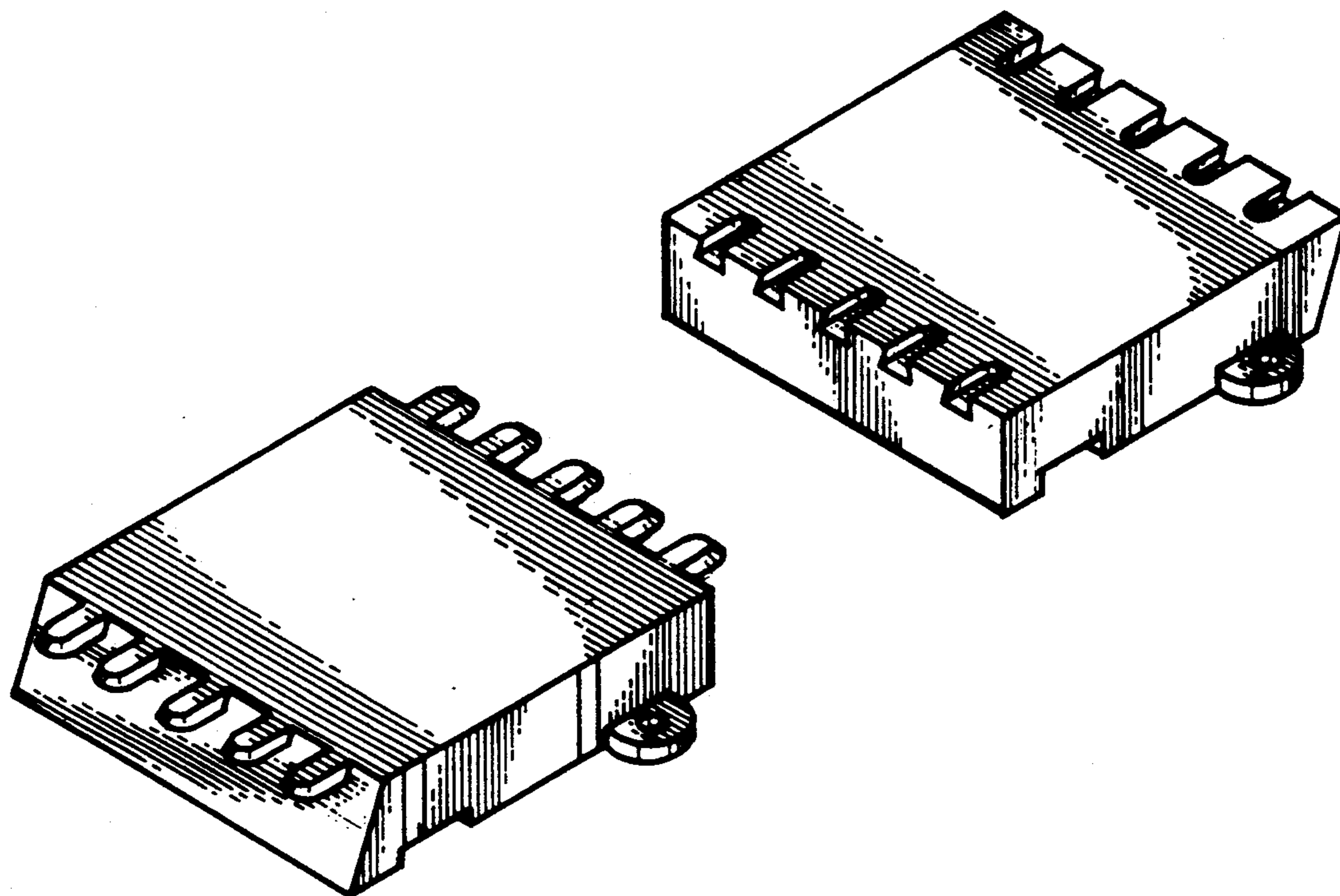
[56] References Cited

U.S. PATENT DOCUMENTS

D. 191,202	8/1961	Walton	D25/115
D. 295,541	5/1988	Knudsen	D21/108
1,845,201	2/1932	Shepard	D21/108
2,044,735	6/1936	Pelton	D21/108
2,073,673	3/1937	Blake	52/563
2,140,226	12/1938	Harrap	52/596
3,347,048	10/1967	Brown et al.	D25/113
3,422,588	1/1969	Stewart, Jr.	52/605

DESCRIPTION

FIG. 1 is an exploded top, end and side perspective view of a molded building block showing our new design;
FIG. 2 is a front elevational view thereof;
FIG. 3 is a rear elevational view thereof;
FIG. 4 is an end elevational view thereof;
FIG. 5 is an end elevational view thereof;
FIG. 6 is a top plan view thereof; and,
FIG. 7 is a bottom plan view thereof.



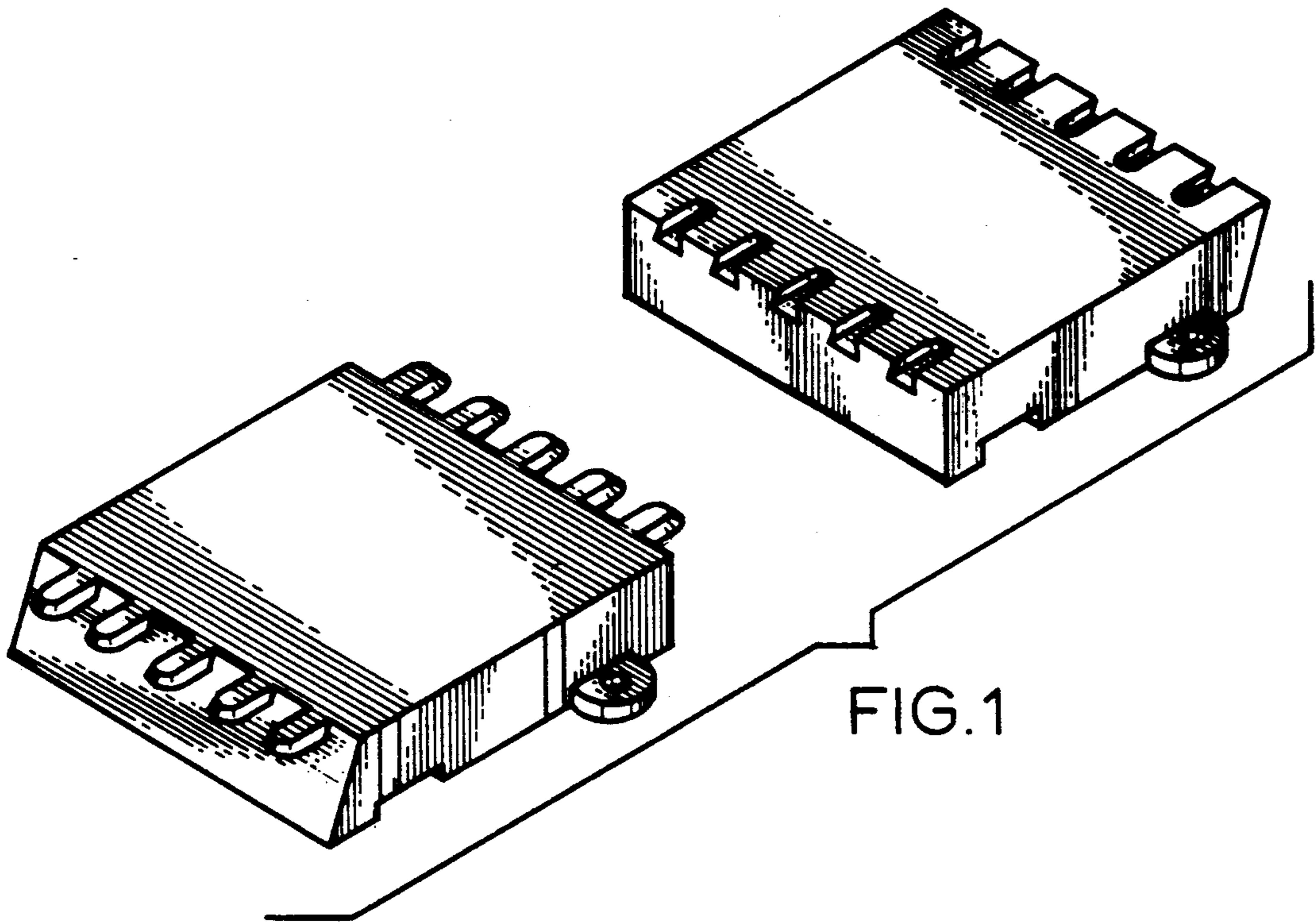




FIG. 5

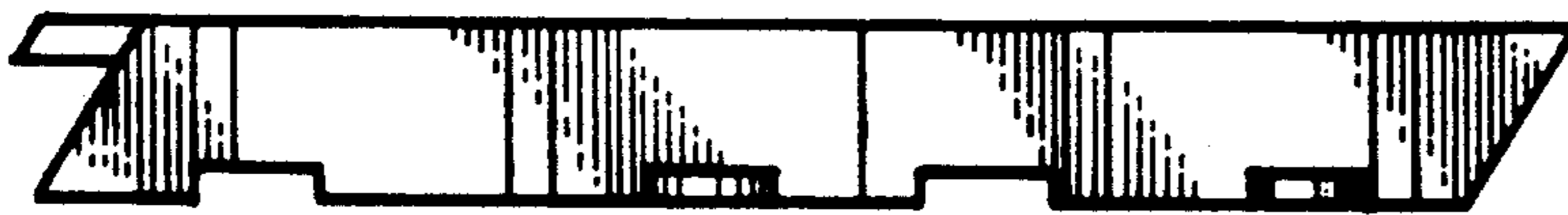


FIG. 2



FIG. 3

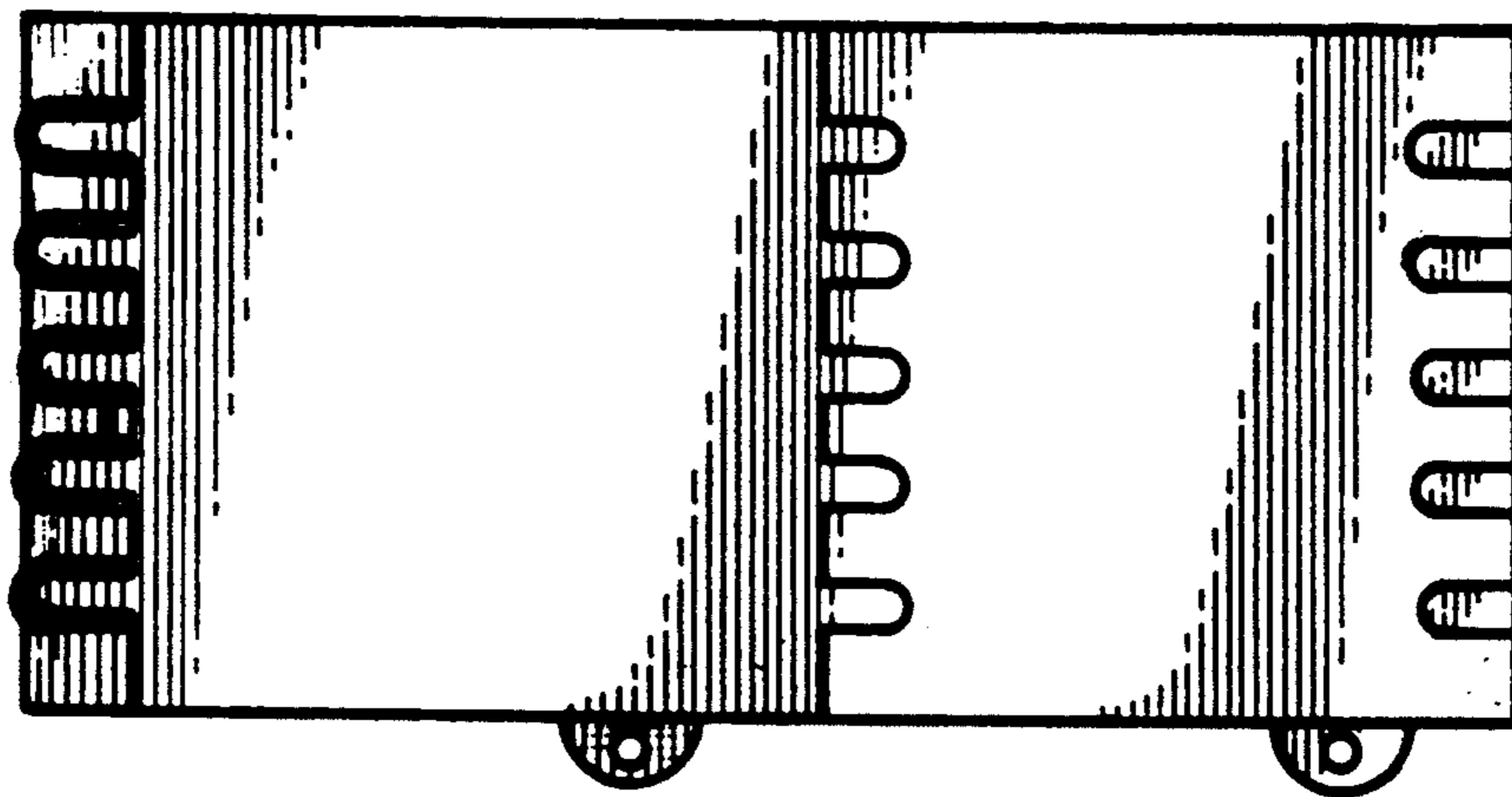


FIG. 6

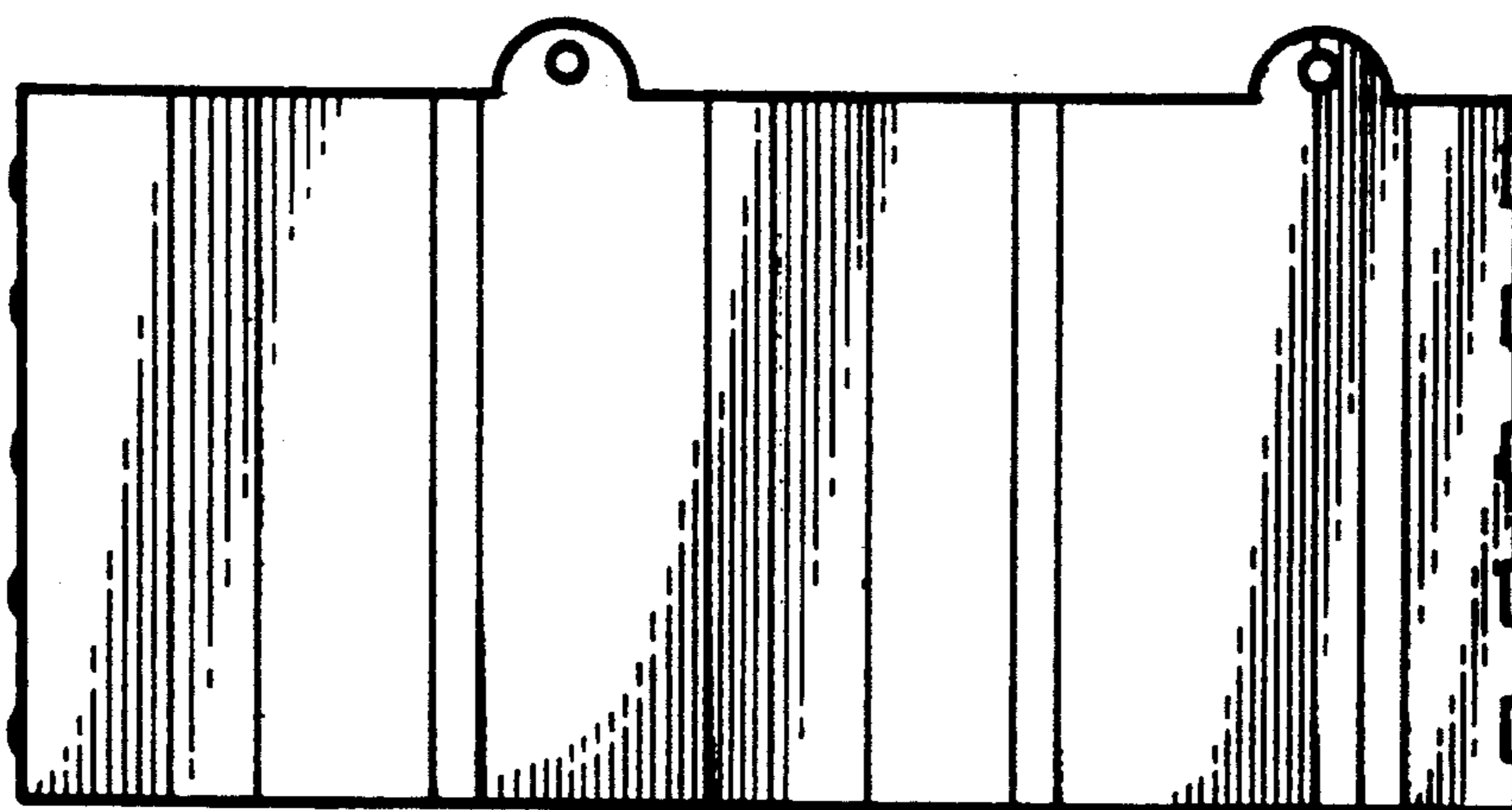


FIG. 7