



US00D344347S

United States Patent [19]

[11] Patent Number: **Des. 344,347**

Wittman

[45] Date of Patent: **** Feb. 15, 1994**

- [54] **SAWHORSE**
- [75] Inventor: **Boyd Wittman, Shorewood, Minn.**
- [73] Assignee: **Empak, Inc., Chanhassen, Minn.**
- [**] Term: **14 Years**
- [21] Appl. No.: **648,341**
- [22] Filed: **Jan. 30, 1991**
- [52] U.S. Cl. **D25/67**
- [58] Field of Search **182/184-186, 182/181; D25/67**

- 4,596,308 6/1986 Auerbach 182/181
- 4,711,319 12/1987 Sansotta et al. 182/181
- 4,756,384 7/1988 Maddox 182/184

Primary Examiner—A. Hugo Word
Assistant Examiner—Doris Clark
Attorney, Agent, or Firm—Haugen and Nikolai

[57] CLAIM

The ornamental design for a sawhorse, as shown and described.

DESCRIPTION

FIG. 1 is a perspective view of a sawhorse showing my new design;
 FIG. 2 is a front elevational view thereof;
 FIG. 3 is a rear elevational view thereof;
 FIG. 4 is a top plan view thereof;
 FIG. 5 is a bottom plan view thereof;
 FIG. 6 is a left side elevational view thereof; and,
 FIG. 7 is a right side elevational view thereof.

[56] **References Cited**
U.S. PATENT DOCUMENTS

- D. 257,395 10/1980 Correll D25/67
- D. 280,440 9/1985 Gromer, Jr. D25/67
- D. 300,861 4/1989 Correll et al. D25/67
- D. 308,728 6/1990 Carlson D25/67
- 3,696,887 10/1972 Brzykcy 182/186

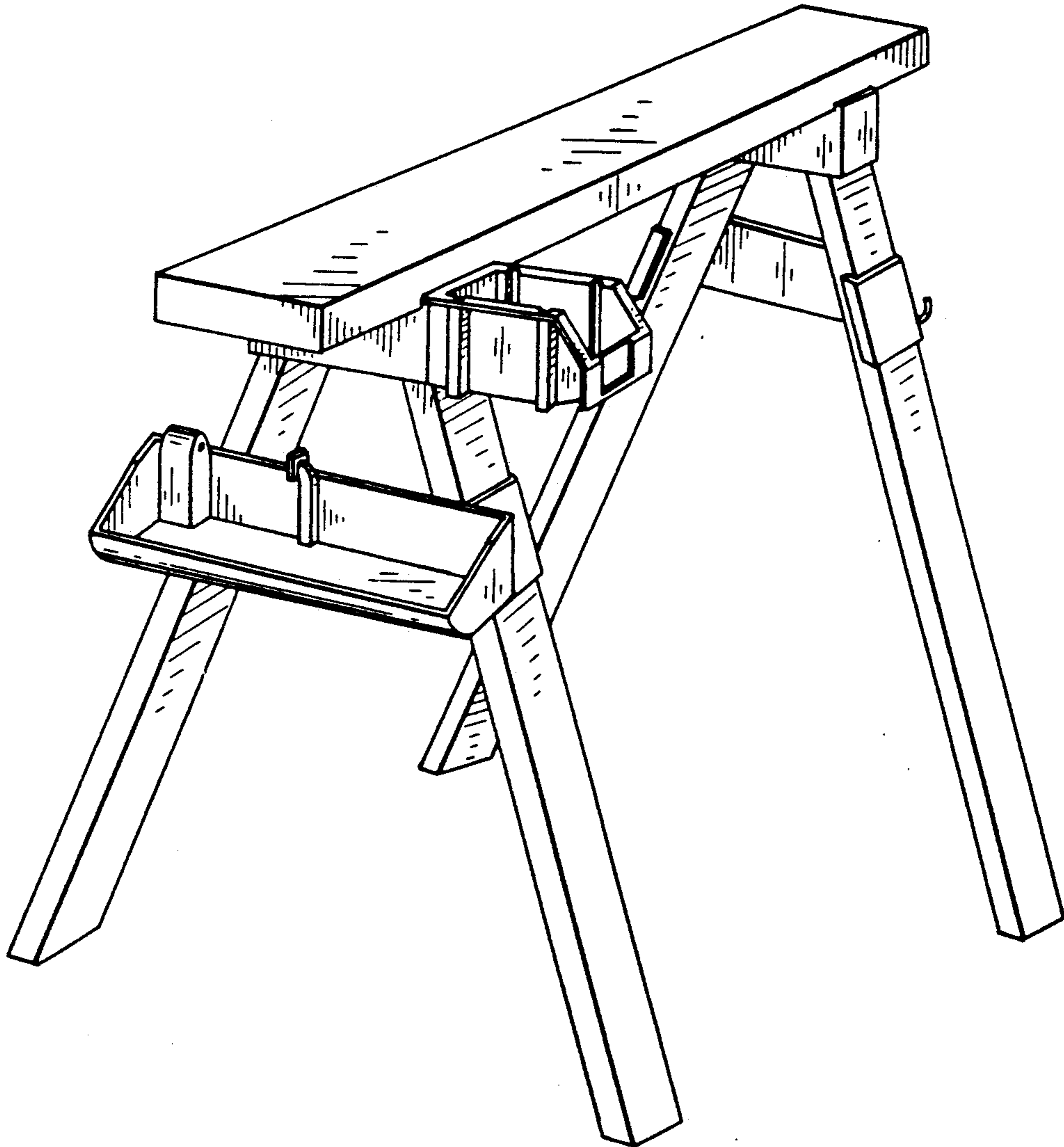


Fig.-1

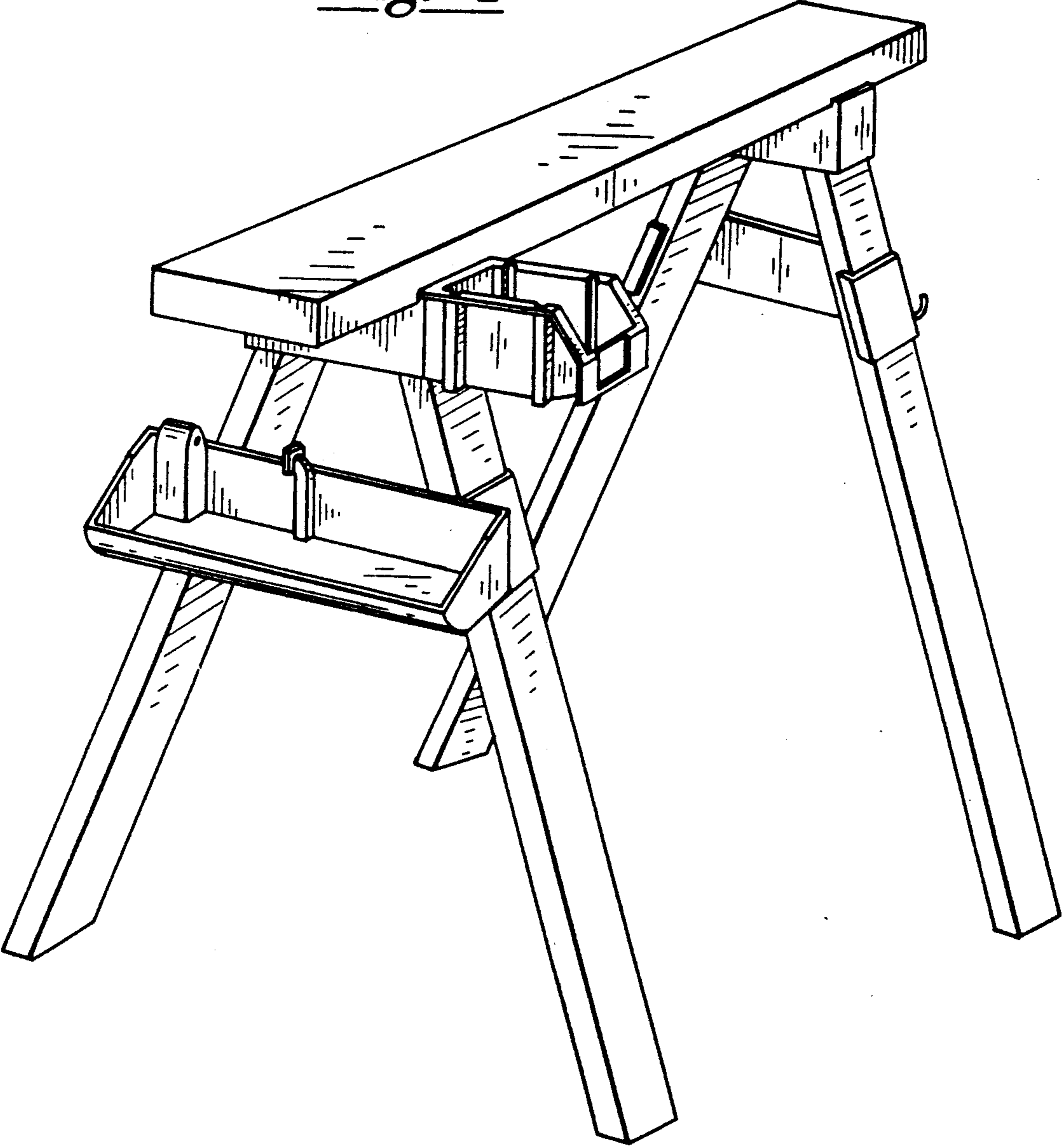


Fig.-2

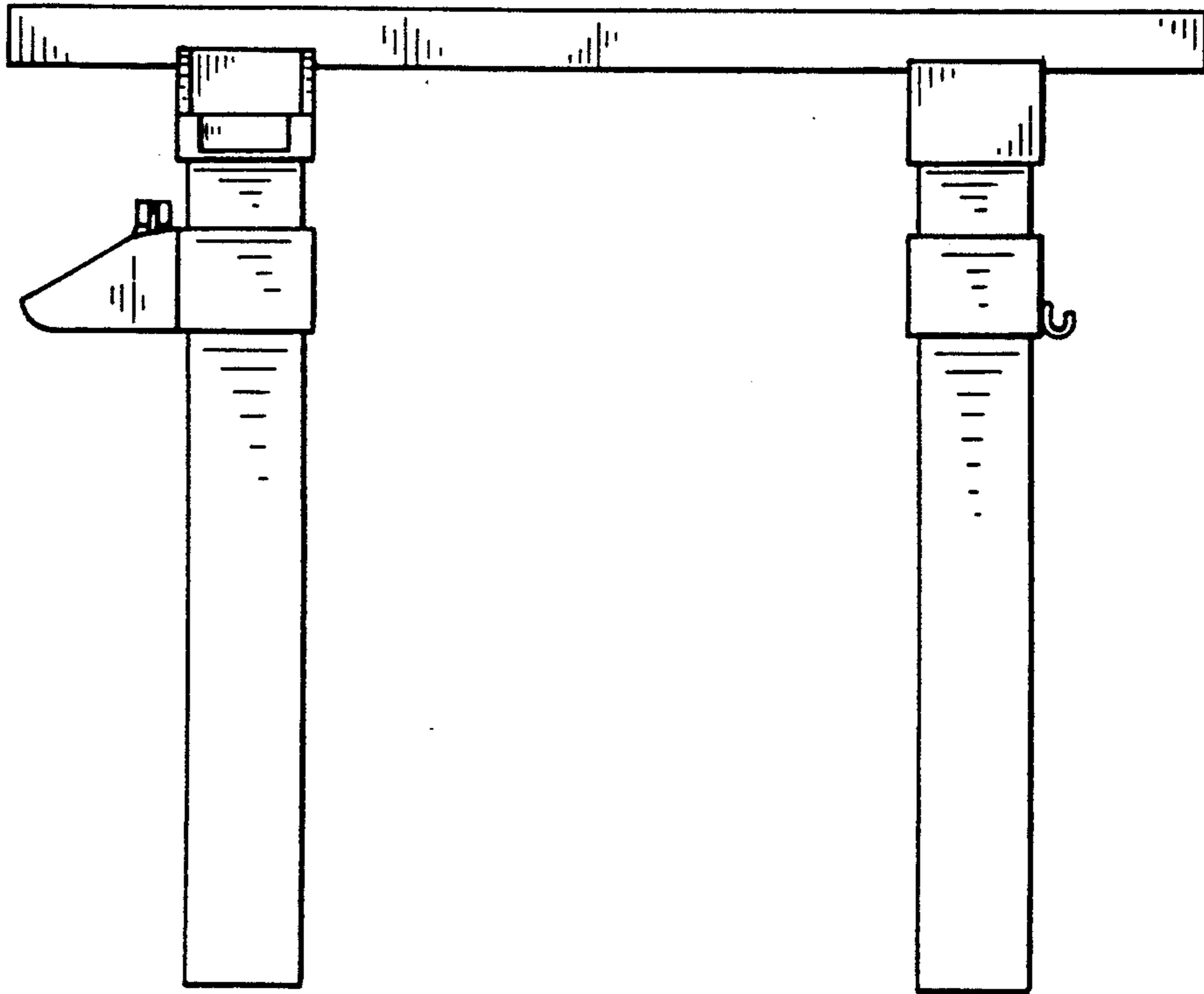


Fig.-3

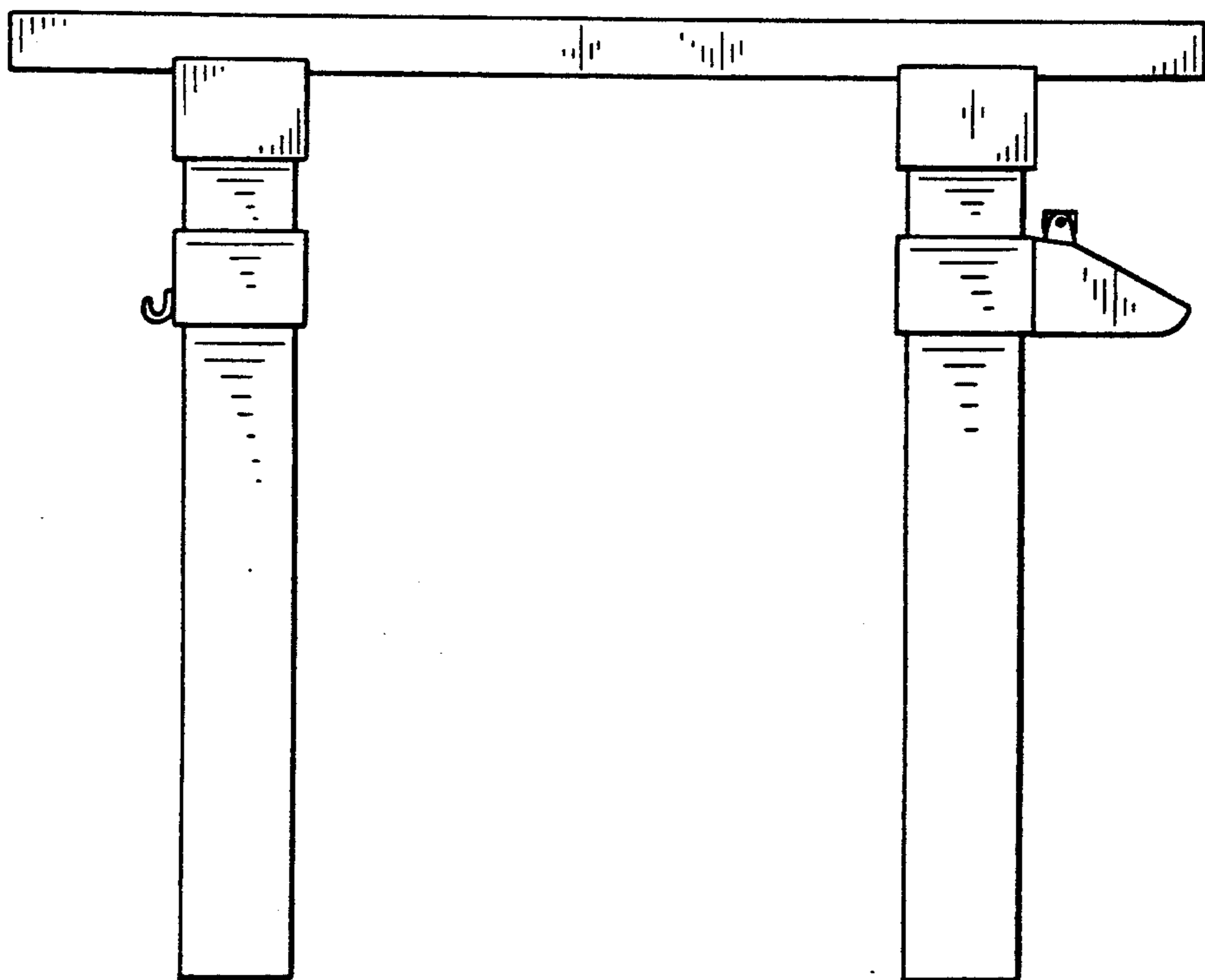


Fig.-4

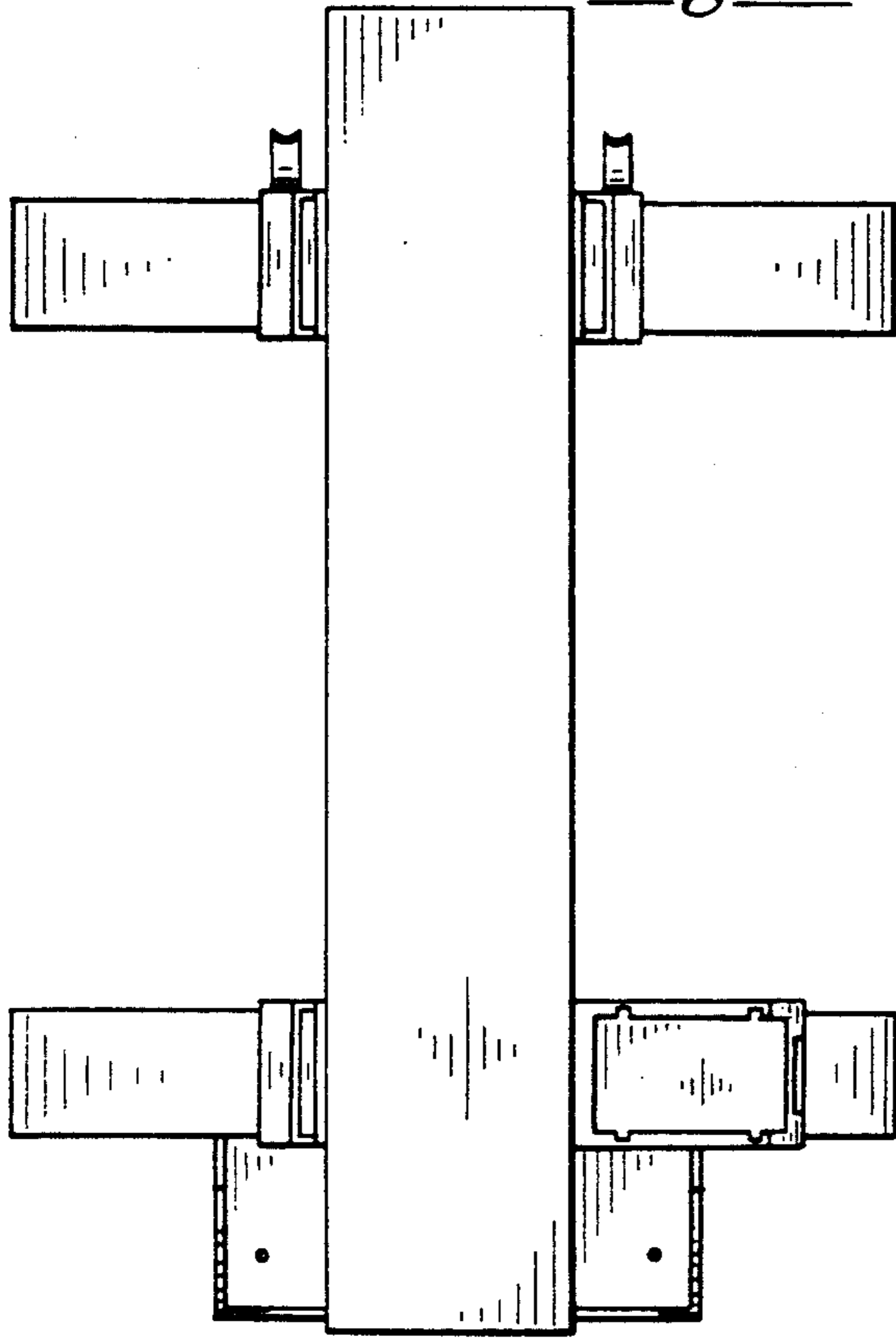


Fig.-5

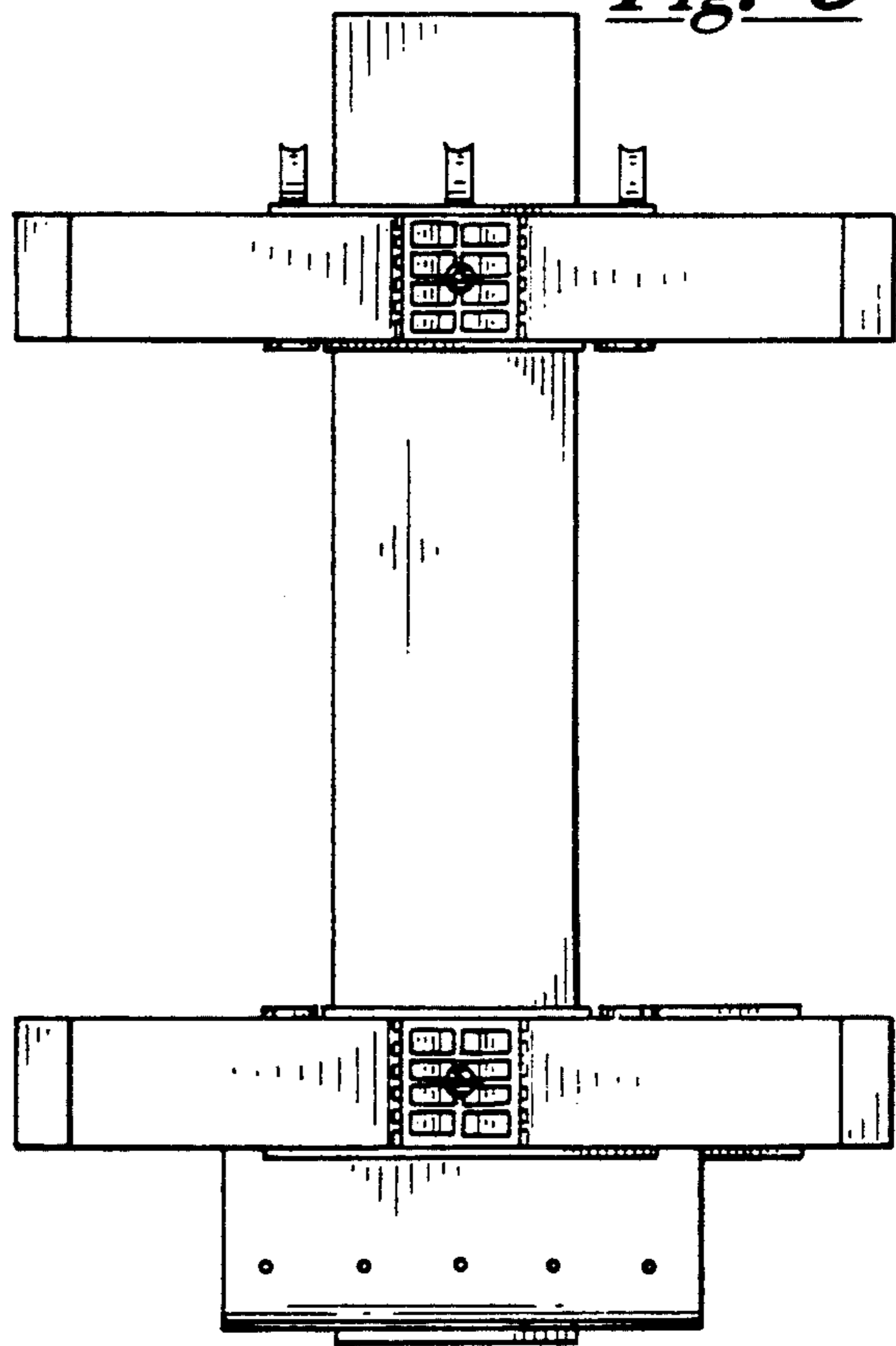


Fig.-6

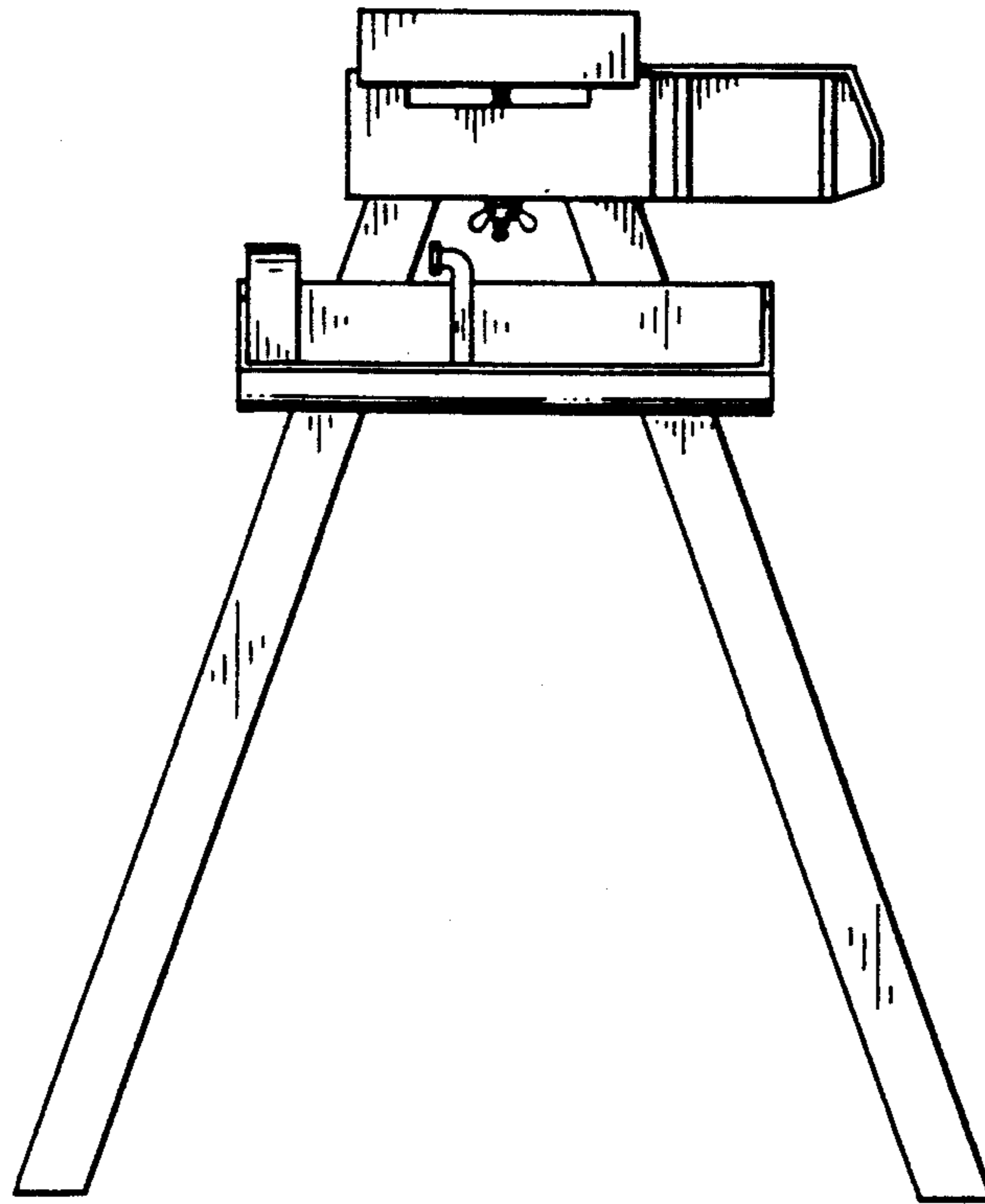


Fig.-7

