



US00D344340S

United States Patent [19]

[11] Patent Number: **Des. 344,340**

Allegre

[45] Date of Patent: **** Feb. 15, 1994**

[54] **BABY BOTTLE**

4,623,069	11/1986	White	D24/197	XR
4,706,827	11/1987	Cabernoch et al.	215/11.1	XR
4,778,068	10/1988	Kohus	D24/197	XR
5,069,351	12/1991	Gunderson et al.	215/11.1	

[75] Inventor: **Jean-Paul Allegre, Saint Etienne, France**

[73] Assignee: **Allegre Puericulture Hygiene S.A., Saint Etienne, France**

Primary Examiner—Stella Reid
Attorney, Agent, or Firm—Young & Thompson

[**] Term: **14 Years**

[57] **CLAIM**

[21] Appl. No.: **838,086**

The ornamental design for a baby bottle, as shown and described.

[22] Filed: **Feb. 20, 1992**

[30] **Foreign Application Priority Data**

DESCRIPTION

Aug. 22, 1991 [IB] Int'l Pat. Institute DM/020462

[52] U.S. Cl. **D24/197**

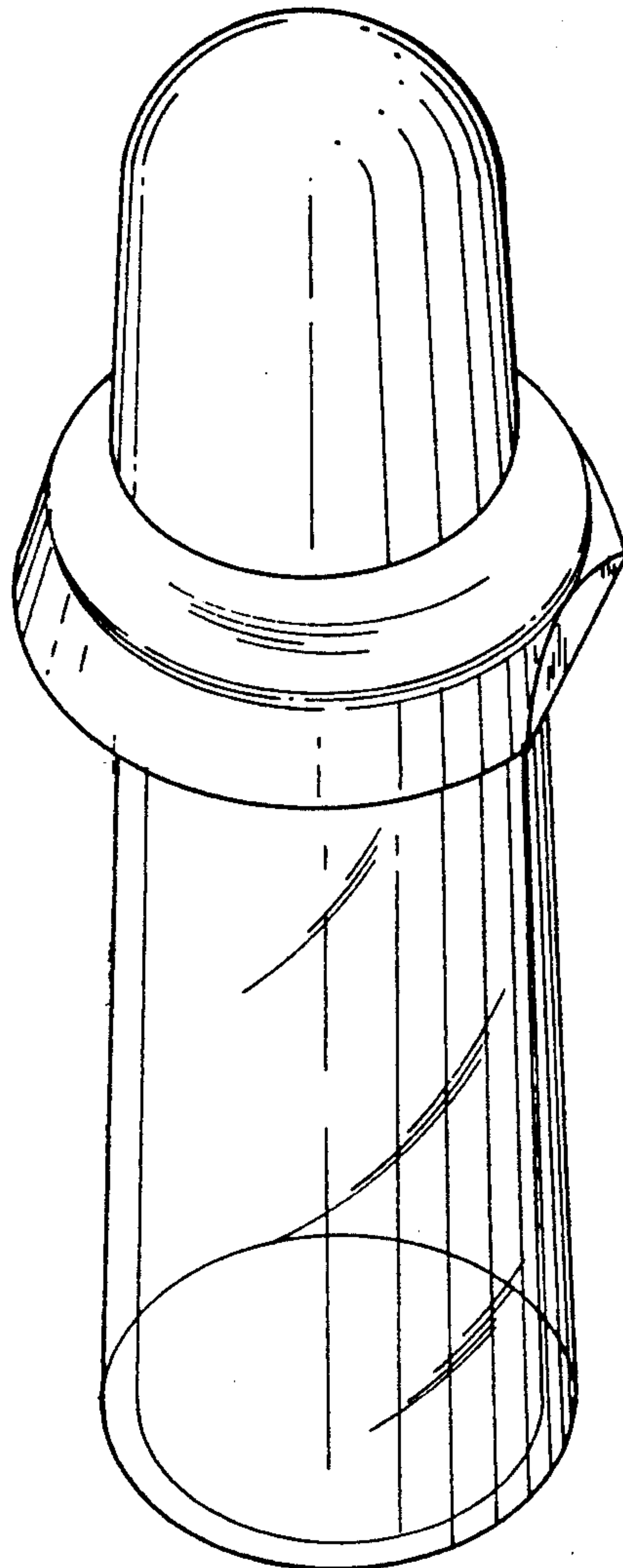
[58] Field of Search 215/11.1, 11.2, 11.3, 215/11.4, 11.5, 11.6; D24/197

FIG. 1 is a top and side perspective view of a baby bottle showing my new design;
 FIG. 2 is a top plan view thereof;
 FIG. 3 is a bottom plan view thereof;
 FIG. 4 is a side elevational view thereof, the side opposite that shown in FIG. 4 being identical thereto; and,
 FIG. 5 is a view similar to FIG. 4 but rotated 90° about a vertical axis, the side opposite that shown in FIG. 5 being identical thereto.

[56] **References Cited**

U.S. PATENT DOCUMENTS

2,090,749 8/1937 Corsi et al. 215/11.2



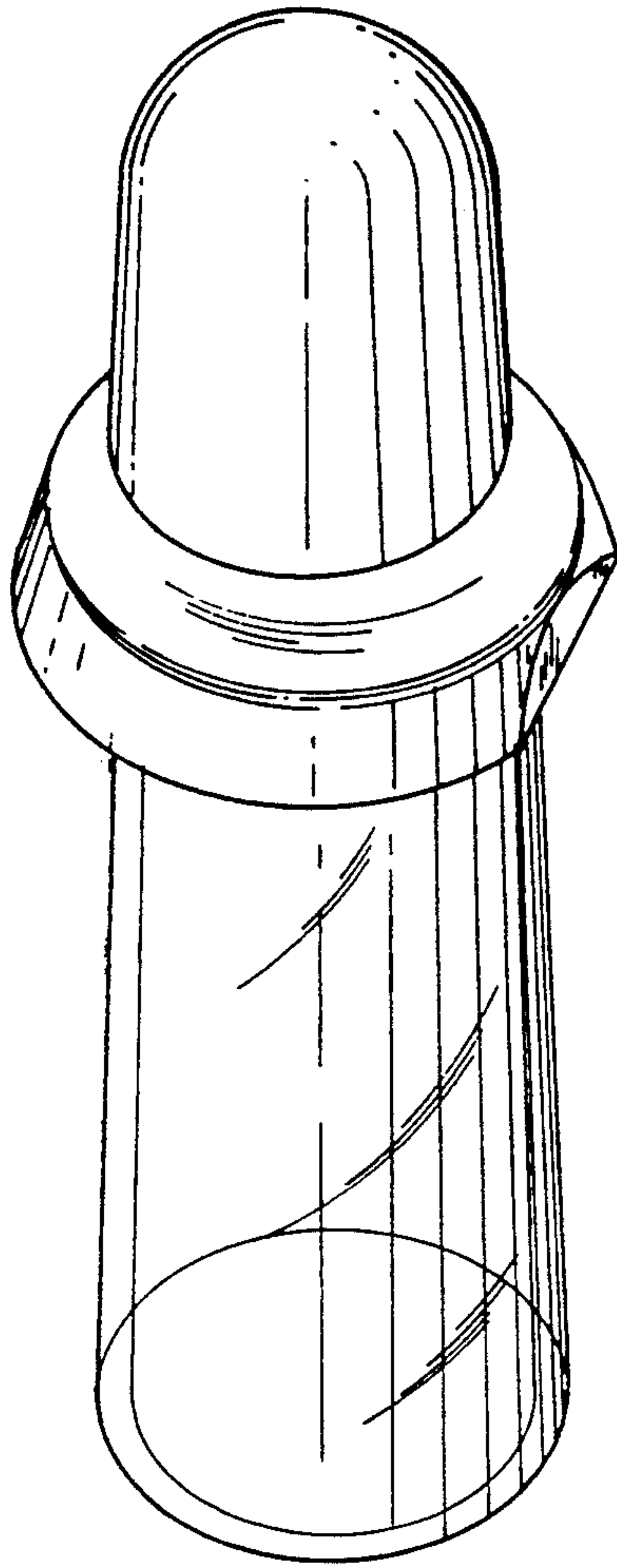


FIG. 1

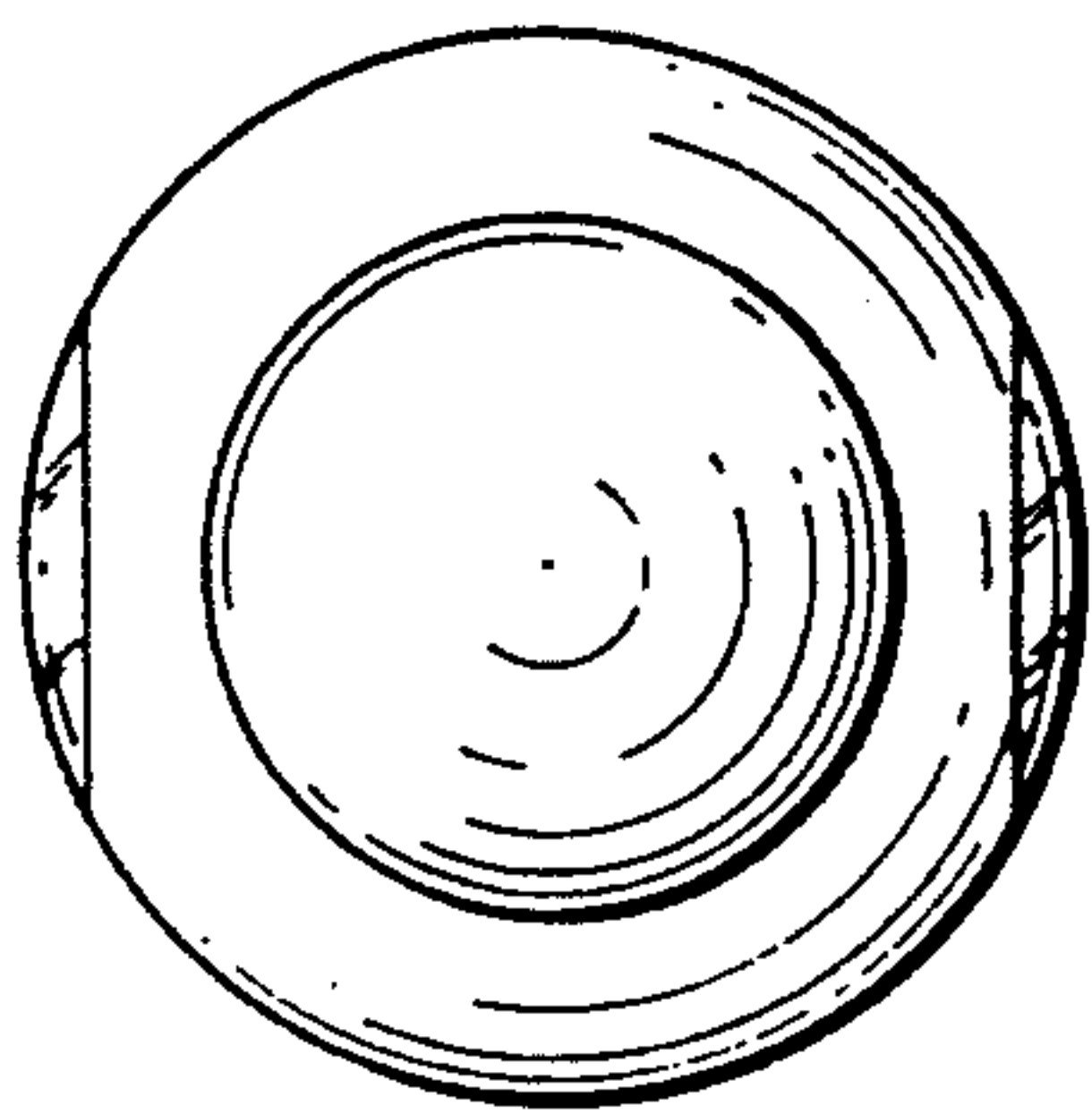


FIG. 2

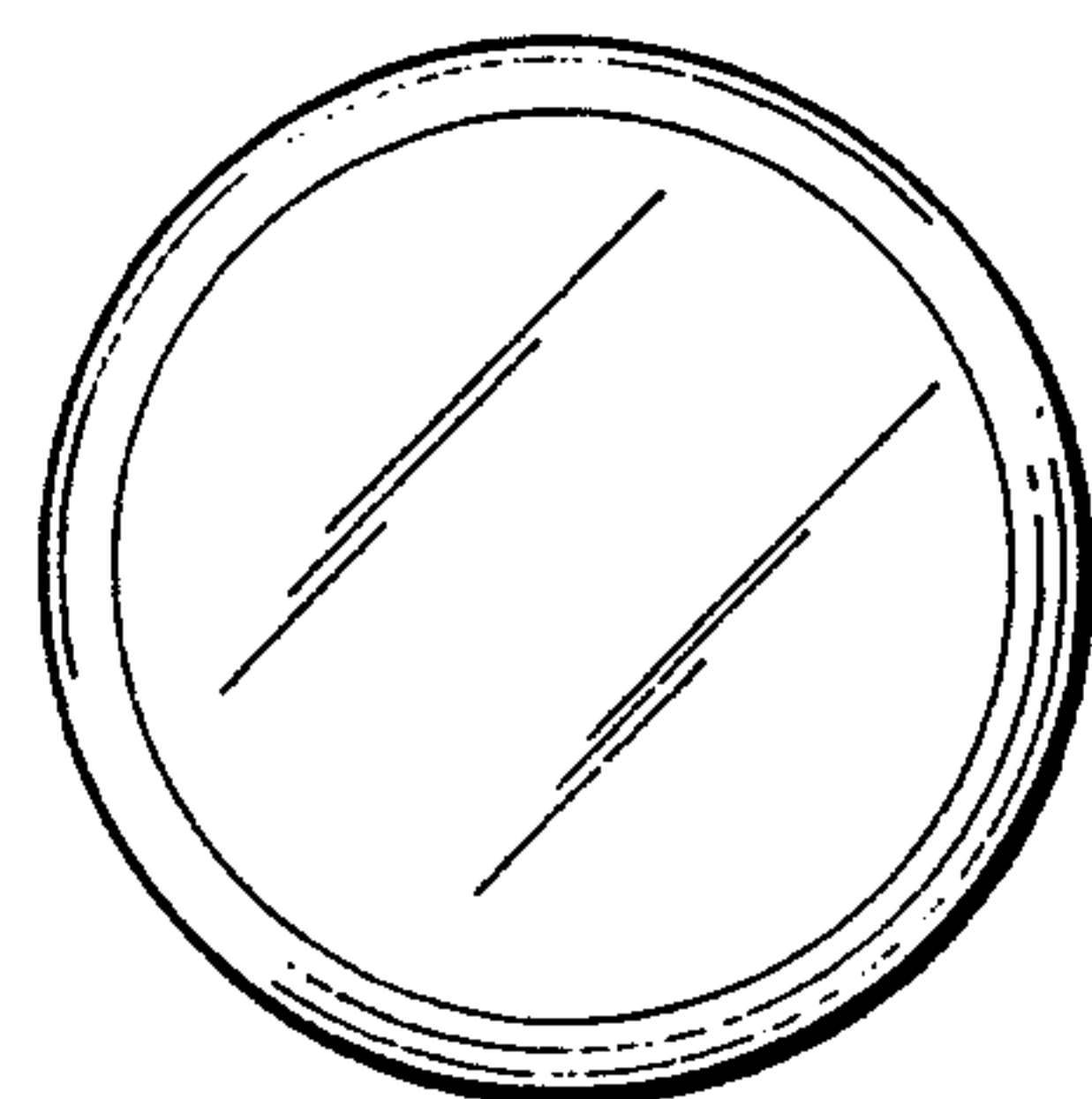


FIG. 3

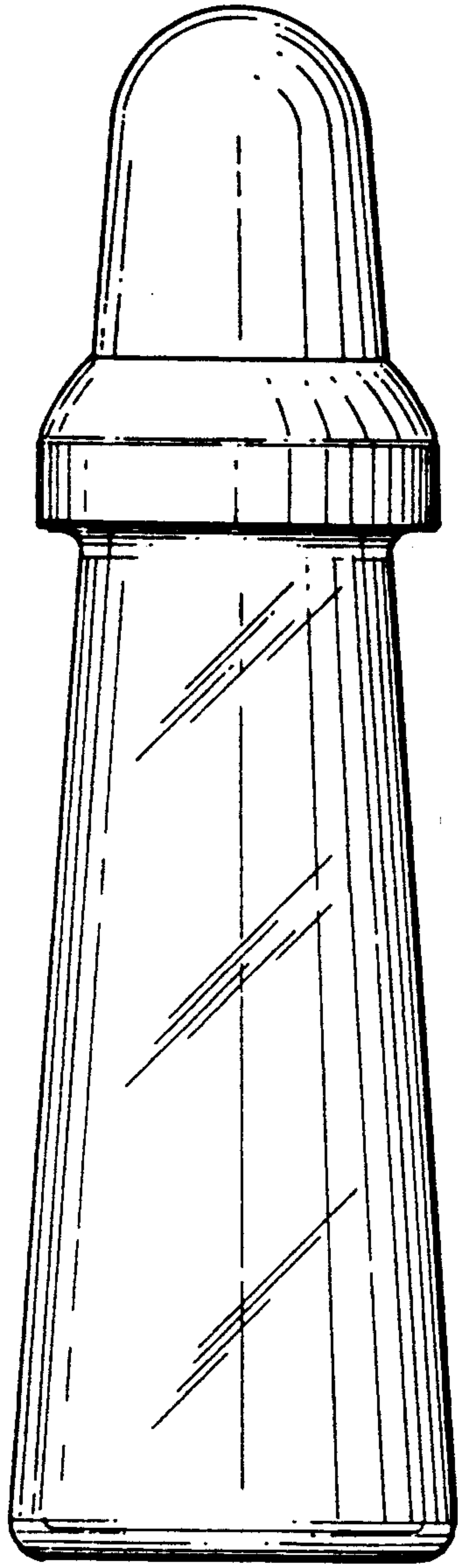


FIG. 4

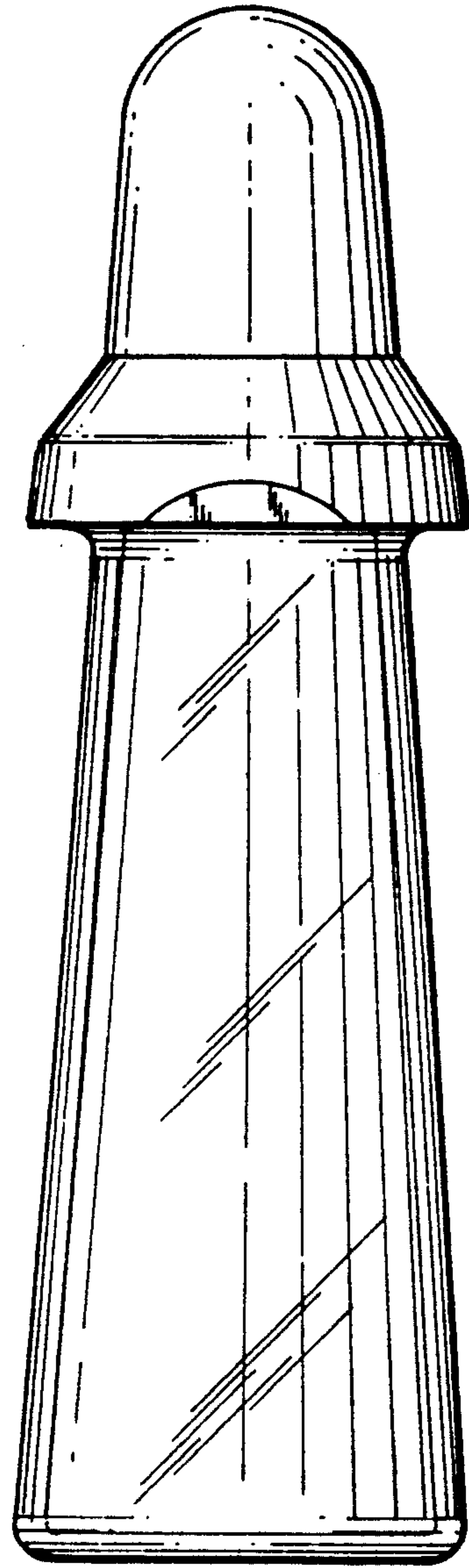


FIG. 5