



US00D344339S

# United States Patent [19]

[11] Patent Number: **Des. 344,339**

**Yoshikawa et al.**

[45] Date of Patent: **\*\* Feb. 15, 1994**

[54] **AUTOMATIC BLOOD SEPARATOR**

[75] Inventors: **Masashi Yoshikawa**, Tokyo;  
**Nobukazu Tanokura**, Fujinomiya;  
**Fumiaki Inaba**; **Noriaki Hirano**, both  
of Fuji, all of Japan

[73] Assignee: **Terumo Kabushiki Kaisha**, Tokyo,  
Japan

[\*\*] Term: **14 Years**

[21] Appl. No.: **838,146**

[22] Filed: **Feb. 18, 1992**

[30] **Foreign Application Priority Data**

Aug. 23, 1991 [JP] Japan ..... 3-25078

[52] U.S. Cl. .... **D24/169**

[58] Field of Search ..... 210/109, 97, 94, 86,  
210/143, 513, 789; D24/169, 167

[56] **References Cited**

**U.S. PATENT DOCUMENTS**

D. 320,079 9/1991 Kida ..... D24/169

4,350,585 9/1982 Johansson et al. .... 210/94  
4,976,851 12/1990 Tanokura et al. .... 210/86  
5,079,002 1/1992 Nagai et al. .  
5,135,646 8/1992 Tanokura et al. .... 210/109

*Primary Examiner*—Stella Reid  
*Attorney, Agent, or Firm*—Frishauf, Holtz, Goodman &  
Woodward

[57] **CLAIM**

The ornamental design for an automatic blood separator, as shown and described.

**DESCRIPTION**

FIG. 1 is a perspective view of an automatic blood separator showing our new design;  
FIG. 2 is a front elevational view thereof;  
FIG. 3 is a rear elevational view thereof;  
FIG. 4 is a right side elevational view thereof, the left side elevational view being mirror image thereof;  
FIG. 5 is a top plan view thereof;  
FIG. 6 is a bottom plan view thereof; and,  
FIG. 7 is a perspective view thereof in which the lid is opened.

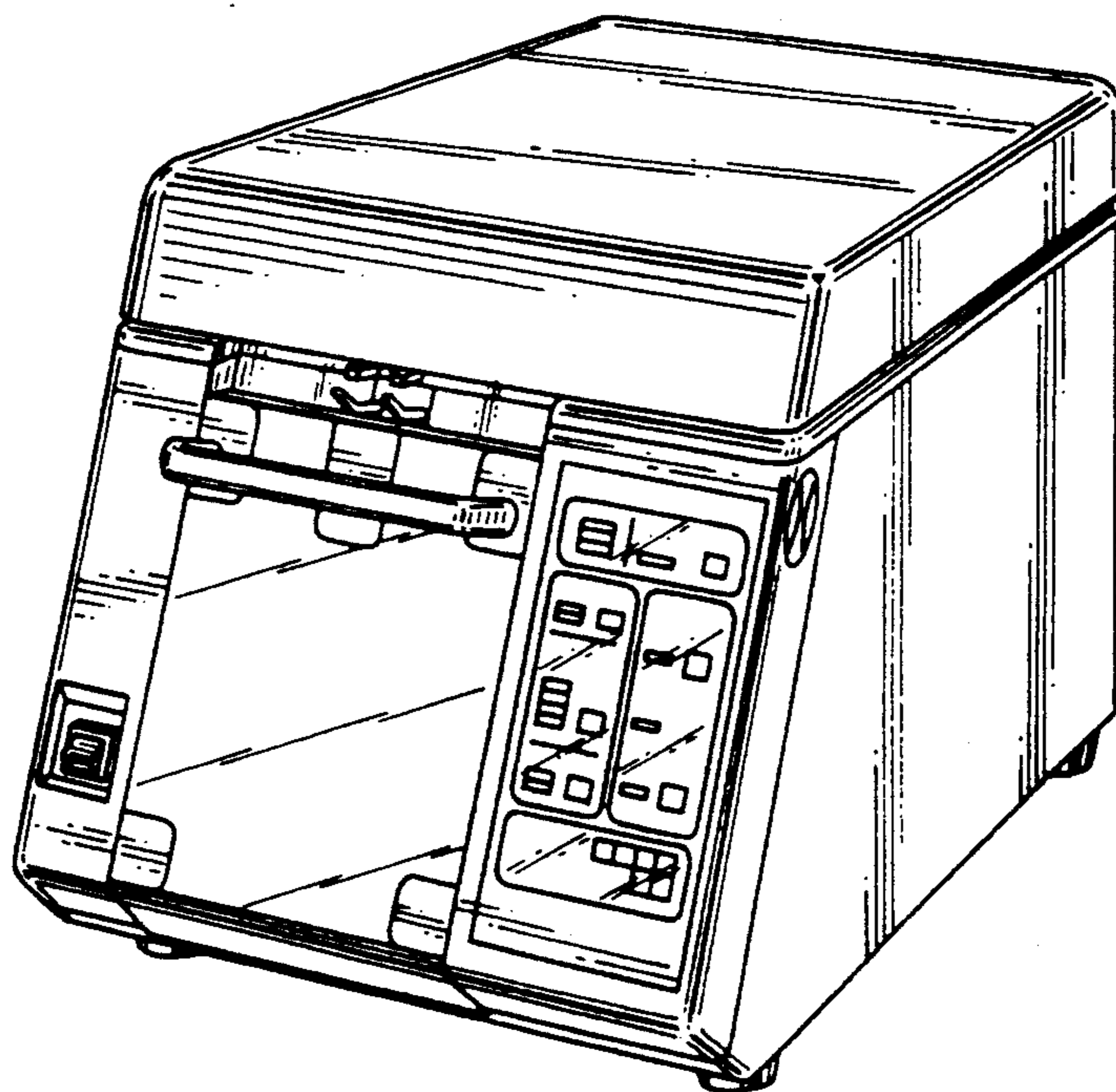


FIG. 1

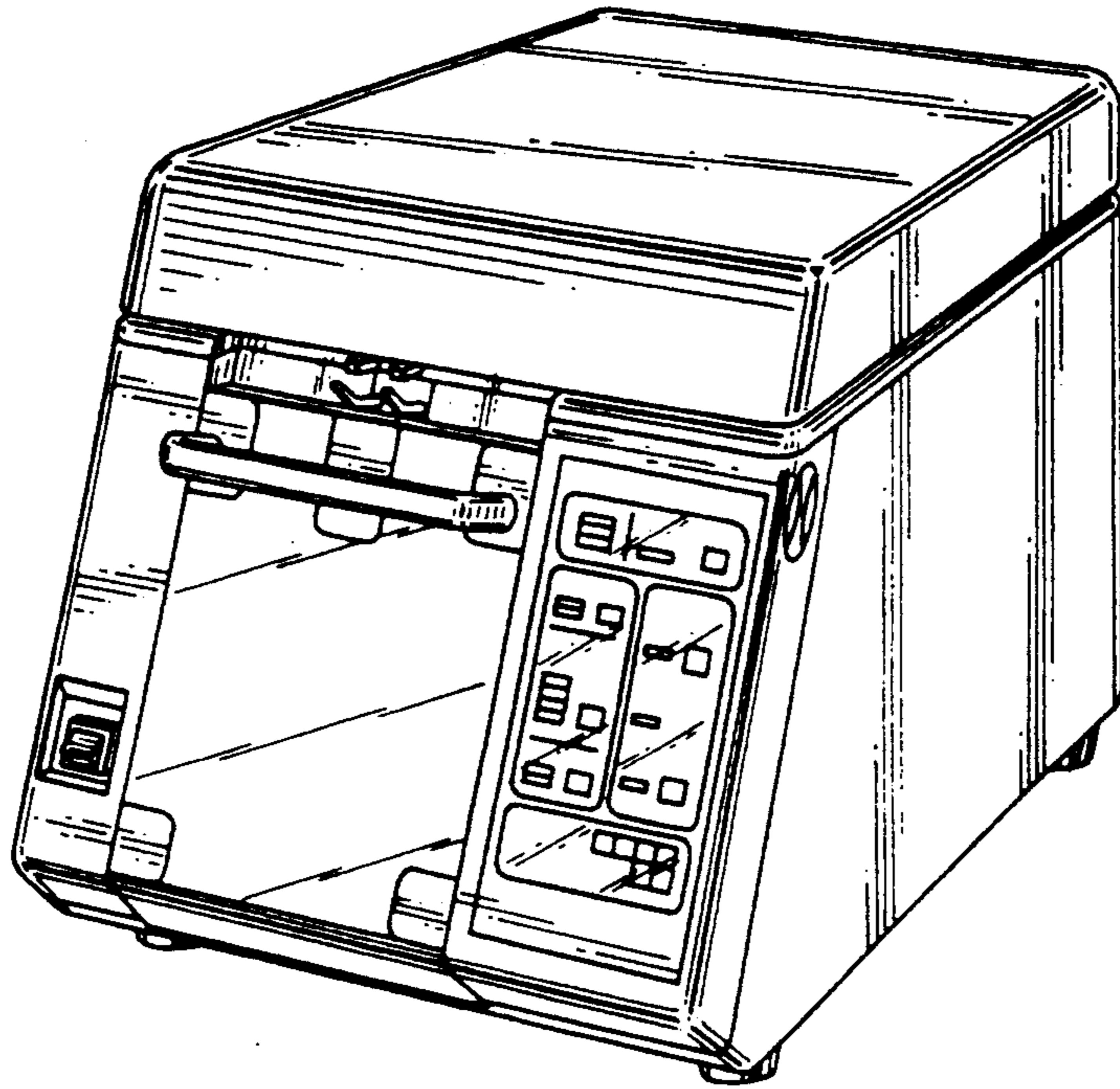


FIG. 2

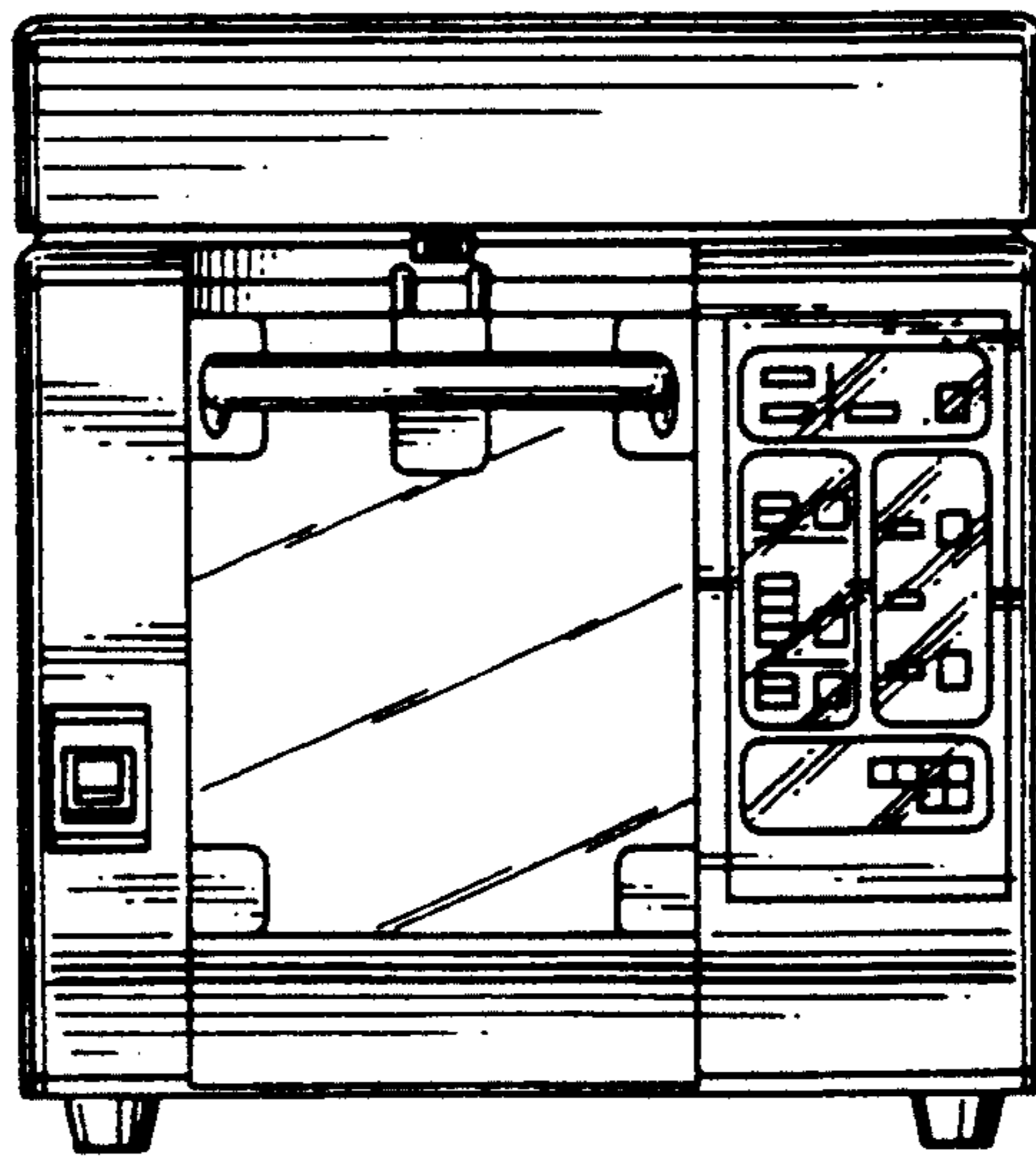


FIG.3

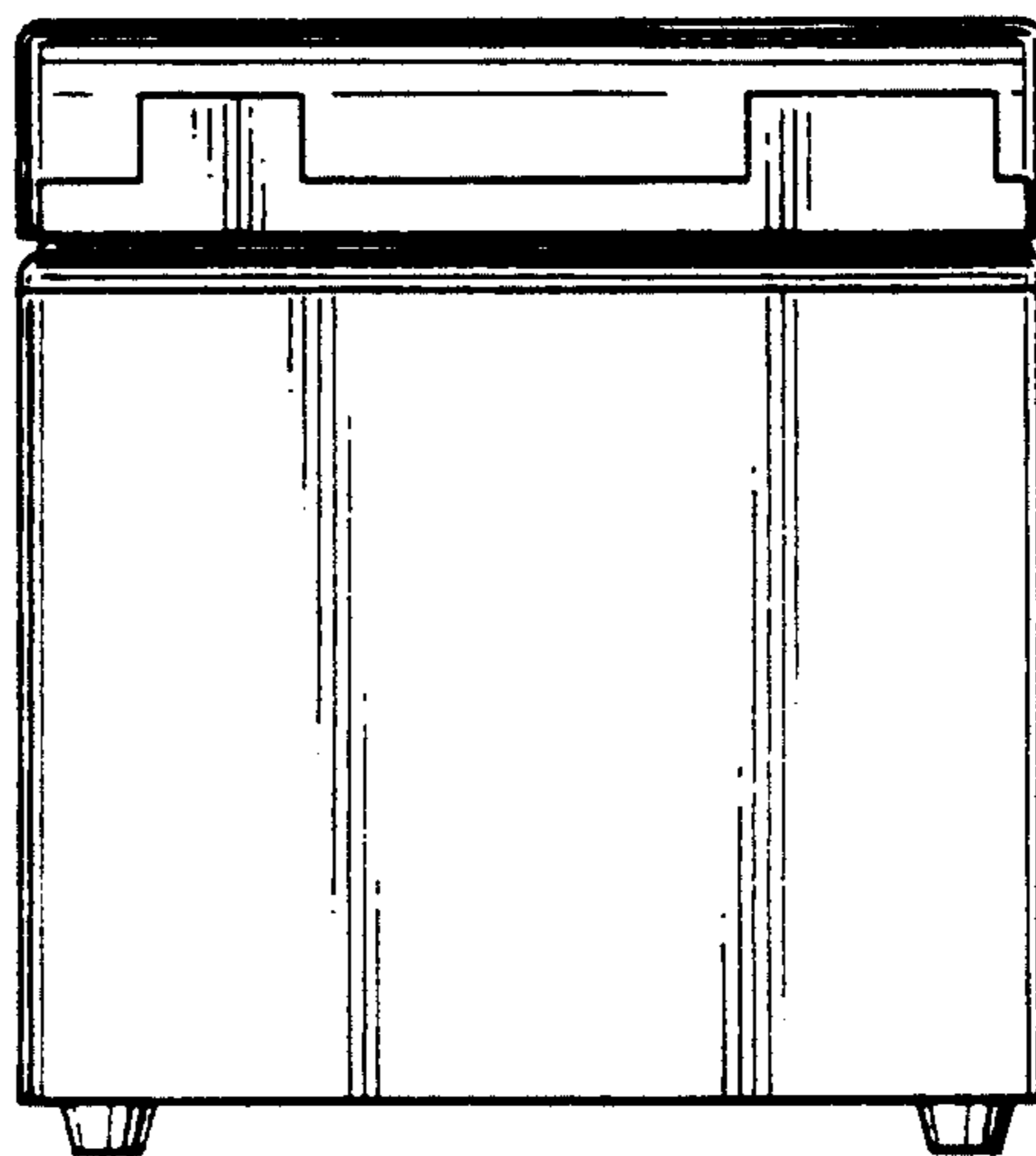


FIG.4

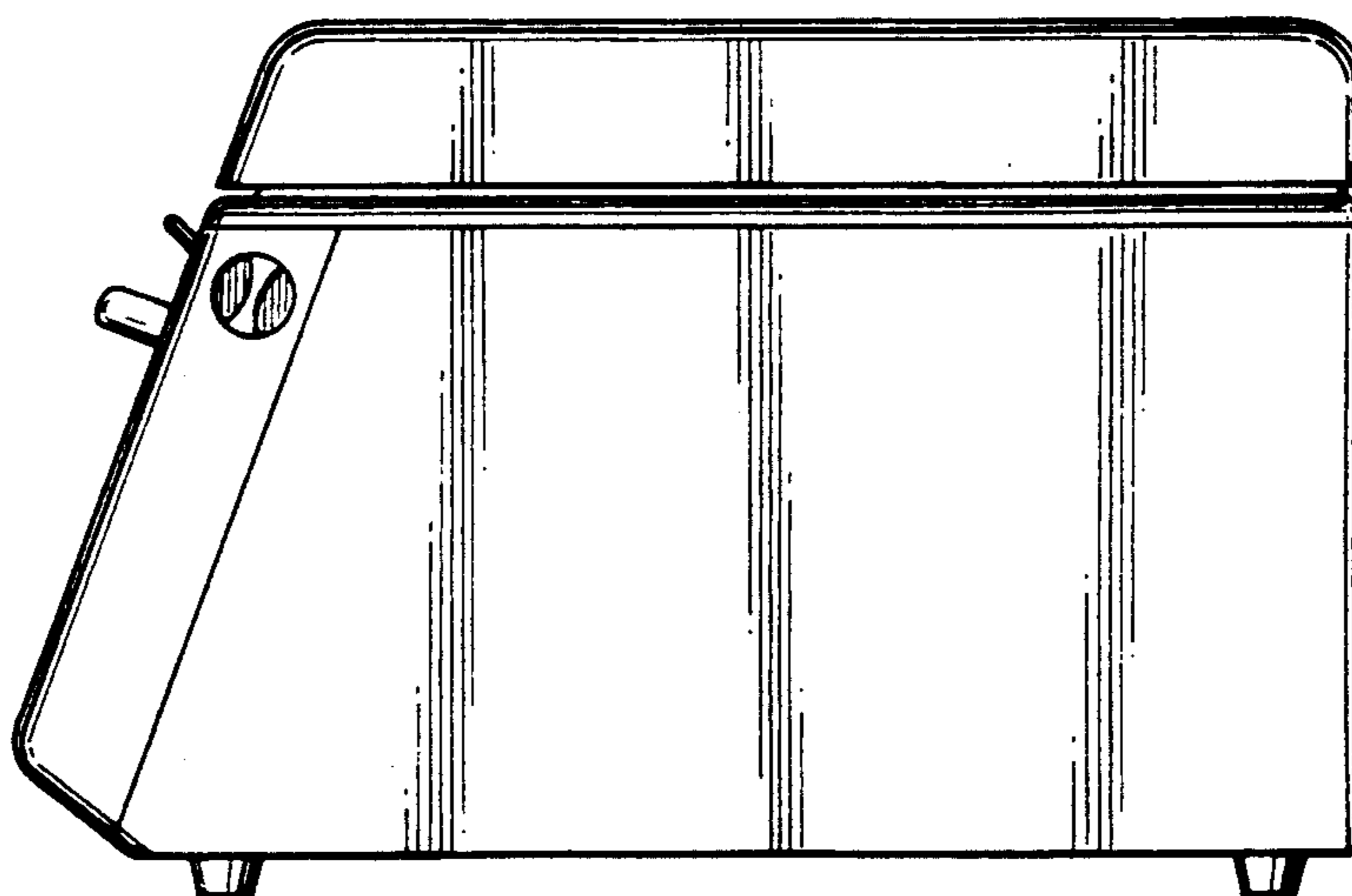


FIG. 5

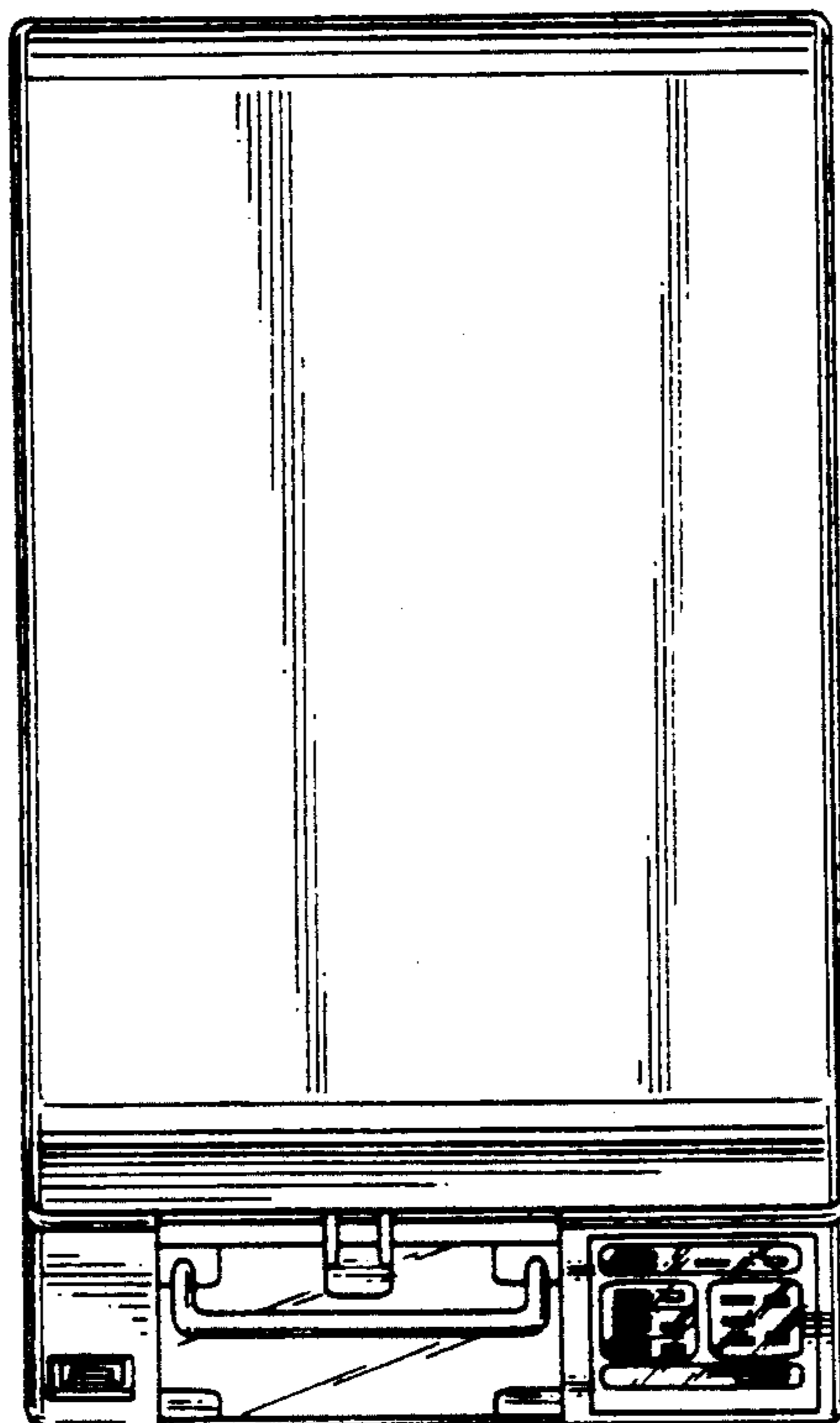


FIG. 6

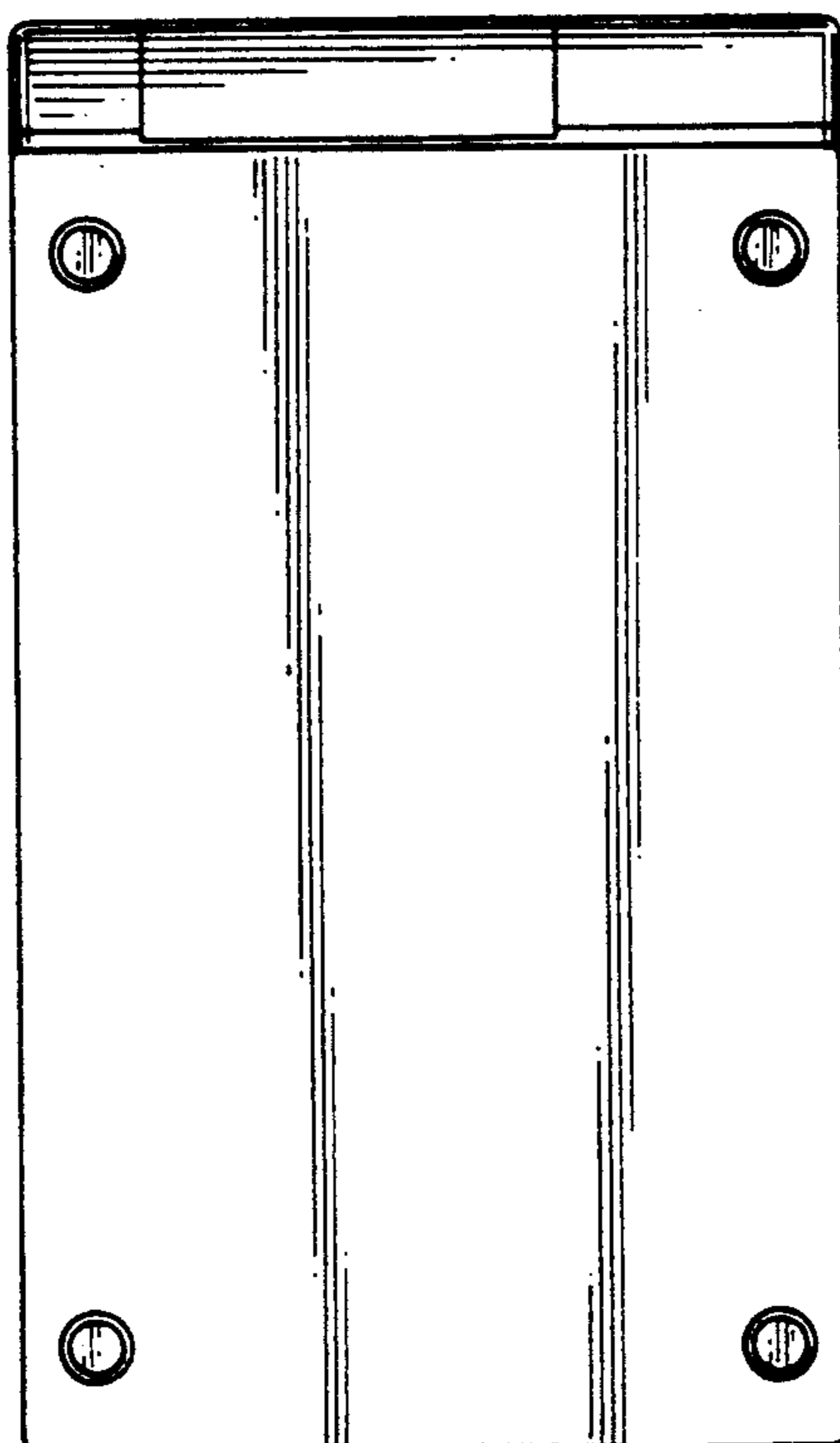


FIG. 7

