



US00D344332S

# United States Patent [19]

[11] Patent Number: Des. 344,332

Bancroft

[45] Date of Patent: \*\* Feb. 15, 1994

[54] FRAME HEAD JAMB

Assistant Examiner—Doris Clark  
Attorney, Agent, or Firm—MacDonald J. Wiggins

[76] Inventor: Joseph C. Bancroft, 134 Harmony  
La., McComb, Miss. 39648

[57] CLAIM

[\*\*] Term: 14 Years

The ornamental design for a frame head jamb, as shown  
and described.

[21] Appl. No.: 940,817

### DESCRIPTION

[22] Filed: Sep. 8, 1992

[52] U.S. Cl. .... D25/124; D25/60

[58] Field of Search ..... 49/DIG. 2, 524; D25/60,  
D25/124

FIG. 1 is a fragmentary top perspective view of the  
frame head jamb showing my new design;

FIG. 2 is a top plan view thereof broken away to indi-  
cate indeterminate length;

FIG. 3 is bottom plan view thereof broken away to  
indicate indeterminate length;

FIG. 4 is a front elevational view thereof in which the  
rear elevational view is a mirror image of the front  
view;

FIG. 5 is right elevational view thereof broken away to  
indicate indeterminate length; and,

FIG. 6 is a left elevational view thereof broken away to  
indicate indeterminate length.

### [56] References Cited

#### U.S. PATENT DOCUMENTS

D. 285,611	9/1986	Slocomb, Jr. ....	D25/124
D. 313,860	1/1991	Slocomb, Jr. ....	D25/124
D. 327,331	6/1992	Dallaire et al. ....	D25/124
4,483,099	11/1984	Schmidt .....	49/504

Primary Examiner—A. Hugo Word

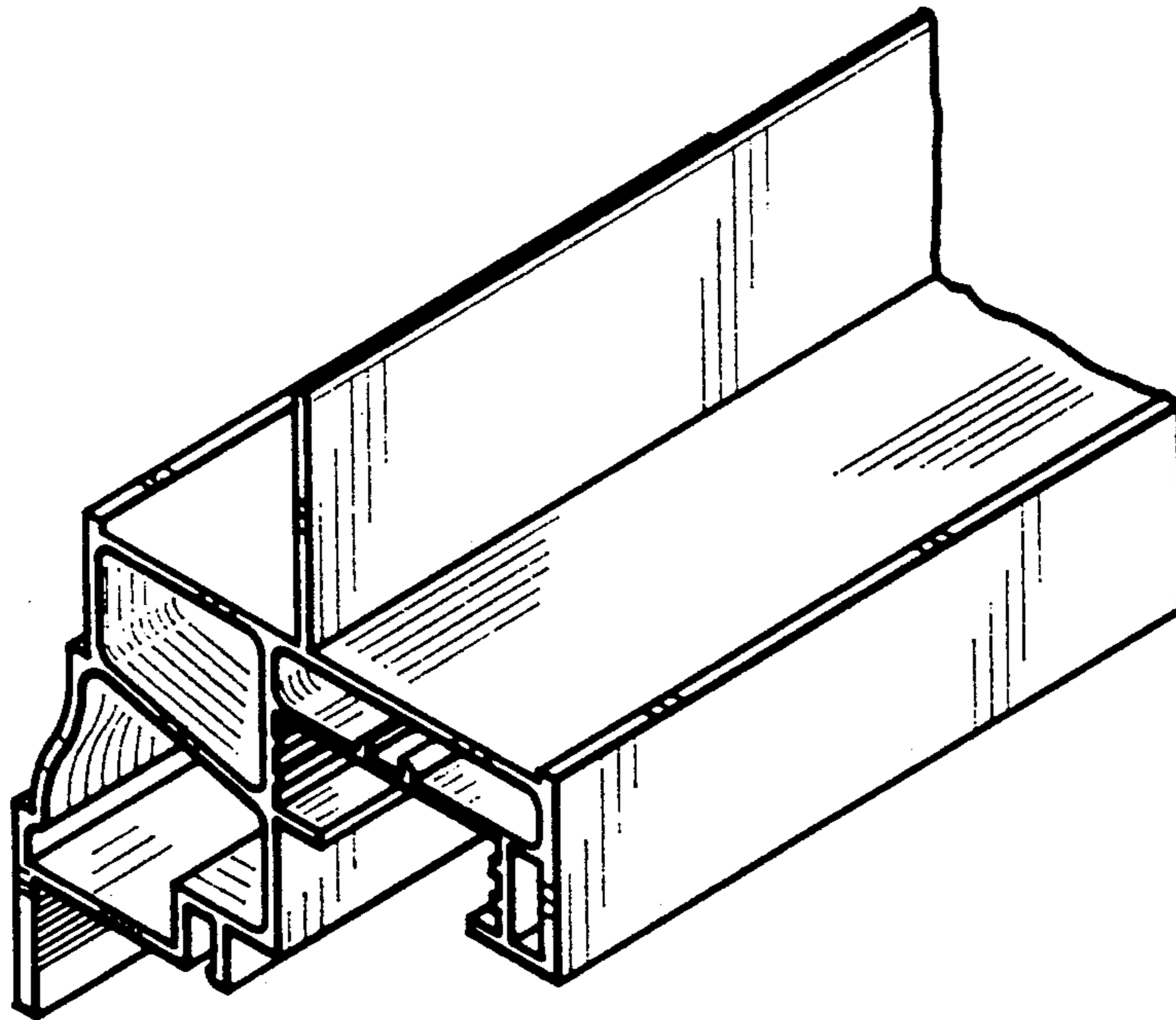


FIG. 1

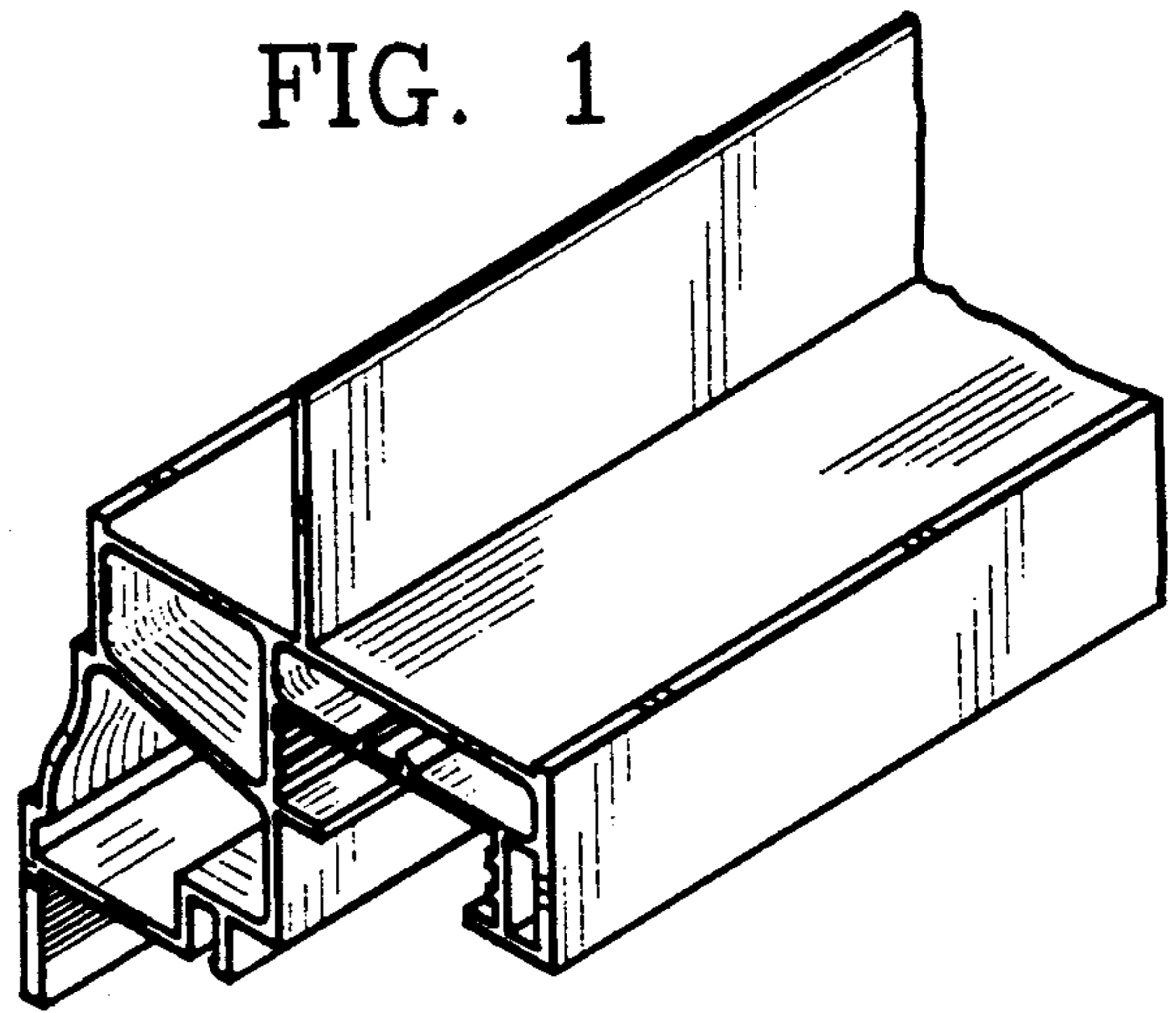


FIG. 2

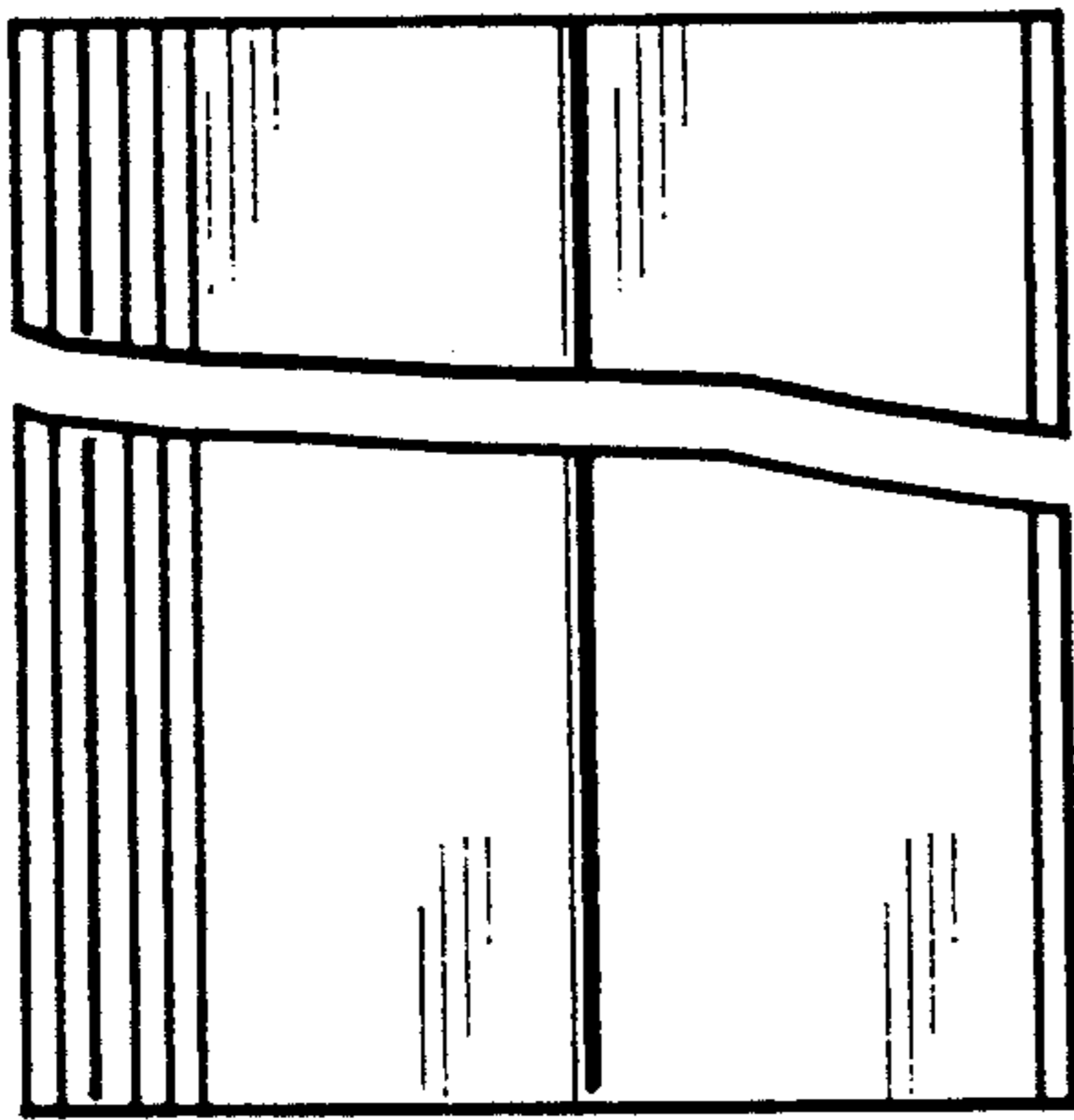


FIG. 3

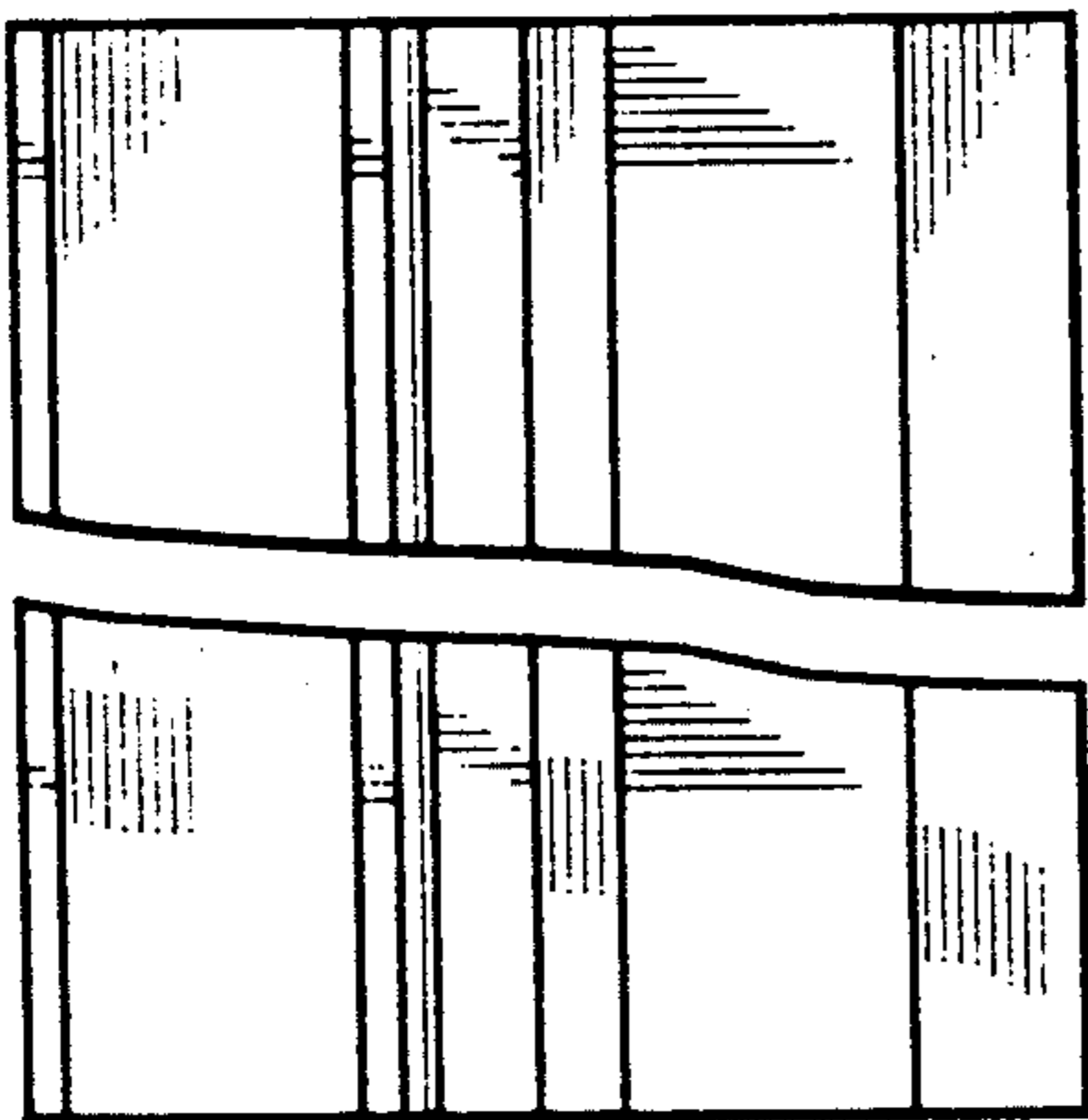


FIG. 4

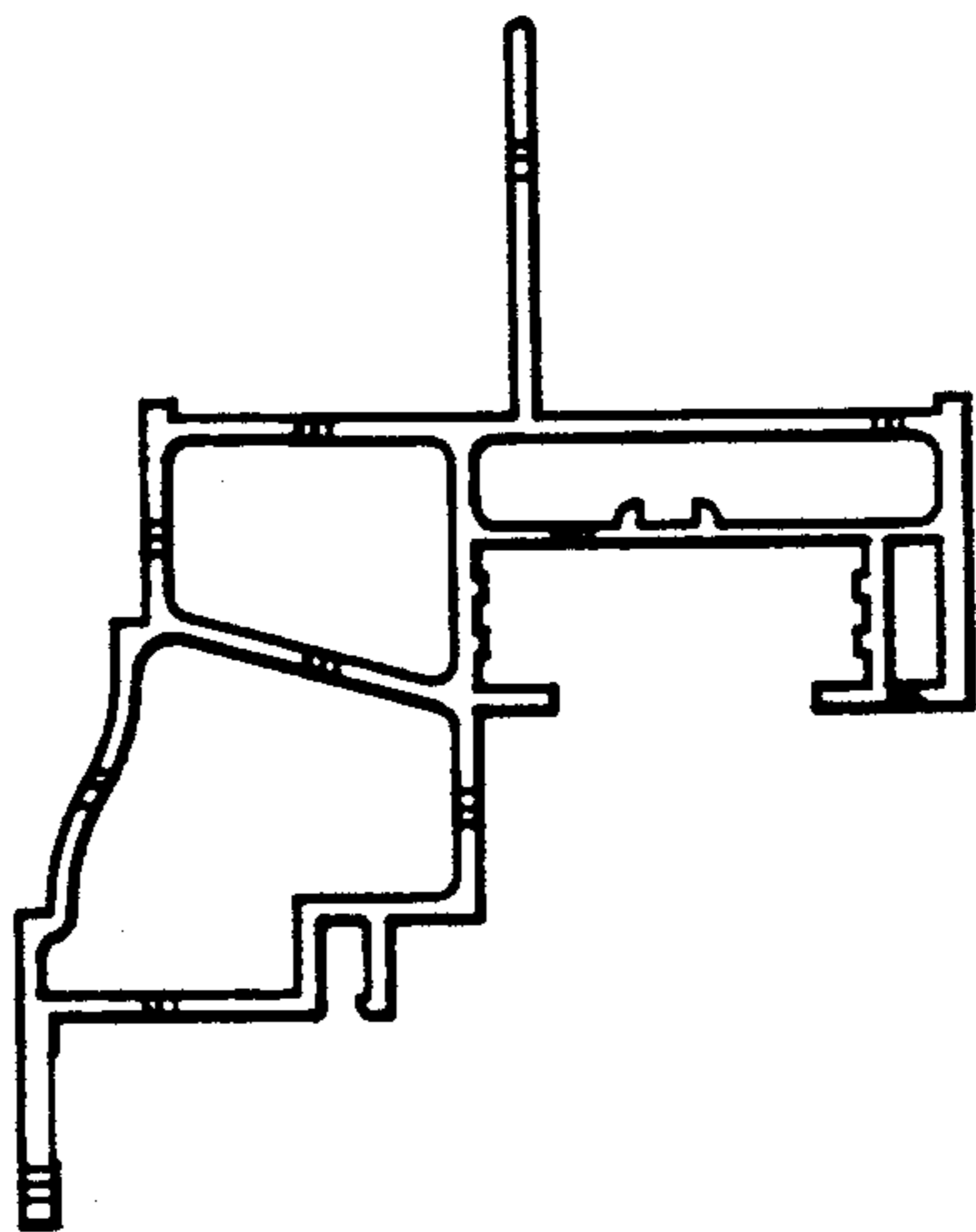


FIG. 5

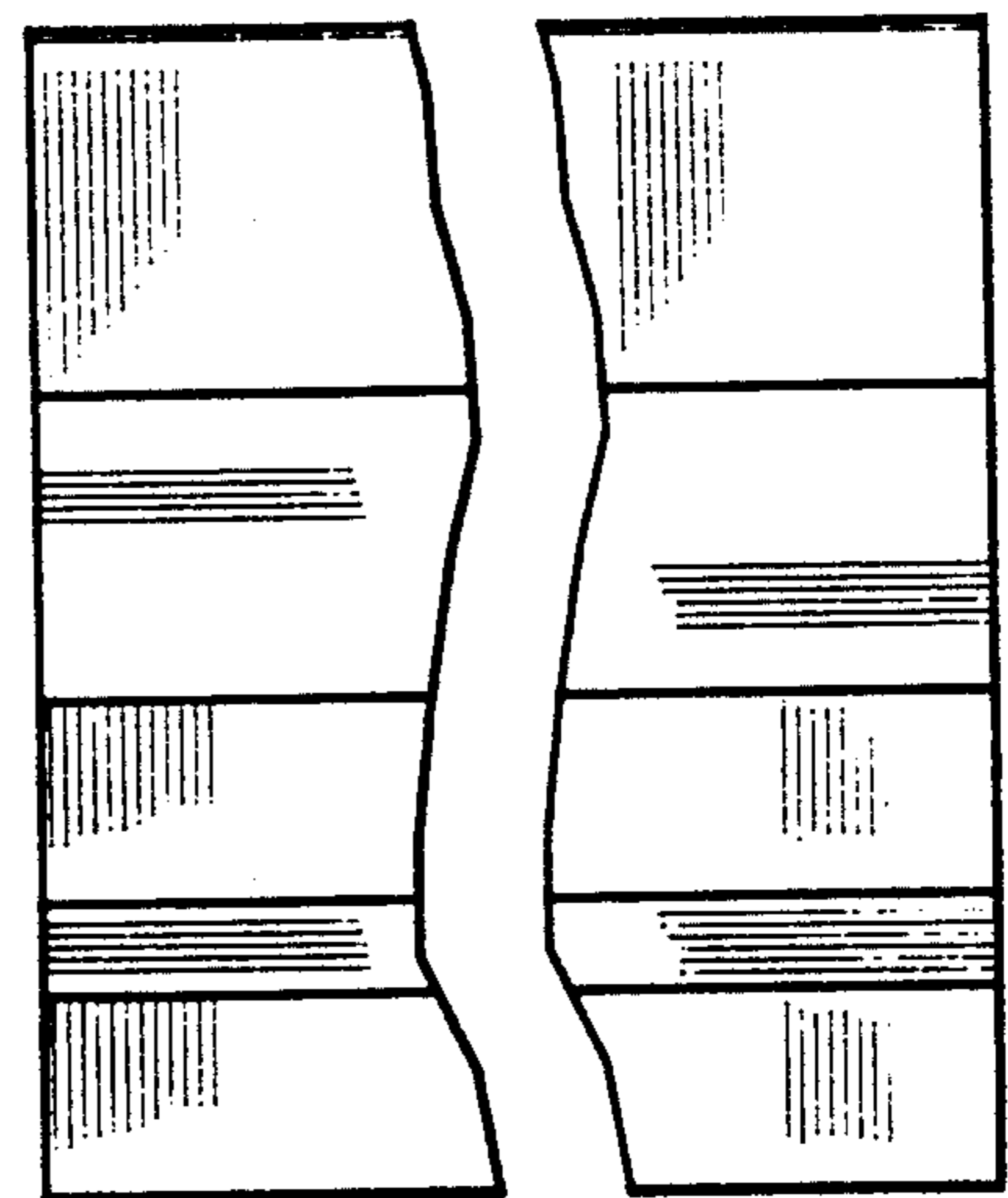


FIG. 6

