



US00D344328S

# United States Patent [19]

[11] Patent Number: **Des. 344,328**

Price

[45] Date of Patent: **\*\* Feb. 15, 1994**

[54] **AIR FILTER CARTRIDGE**

5,000,768 3/1991 Hwang ..... 55/485

[76] Inventor: **Michael D. Price**, 1615 Quiet Hills Dr., Oceanside, Calif. 92056

*Primary Examiner*—Wallace R. Burke  
*Assistant Examiner*—Lisa Lichtenstein  
*Attorney, Agent, or Firm*—Calif Tervo

[\*\*] Term: **14 Years**

[57] **CLAIM**

[21] Appl. No.: **743,587**

The ornamental design for an air filter cartridge, as shown and described.

[22] Filed: **Aug. 12, 1991**

[52] U.S. Cl. .... **D23/365**

[58] Field of Search ..... 55/482, 500, 485;  
D23/365

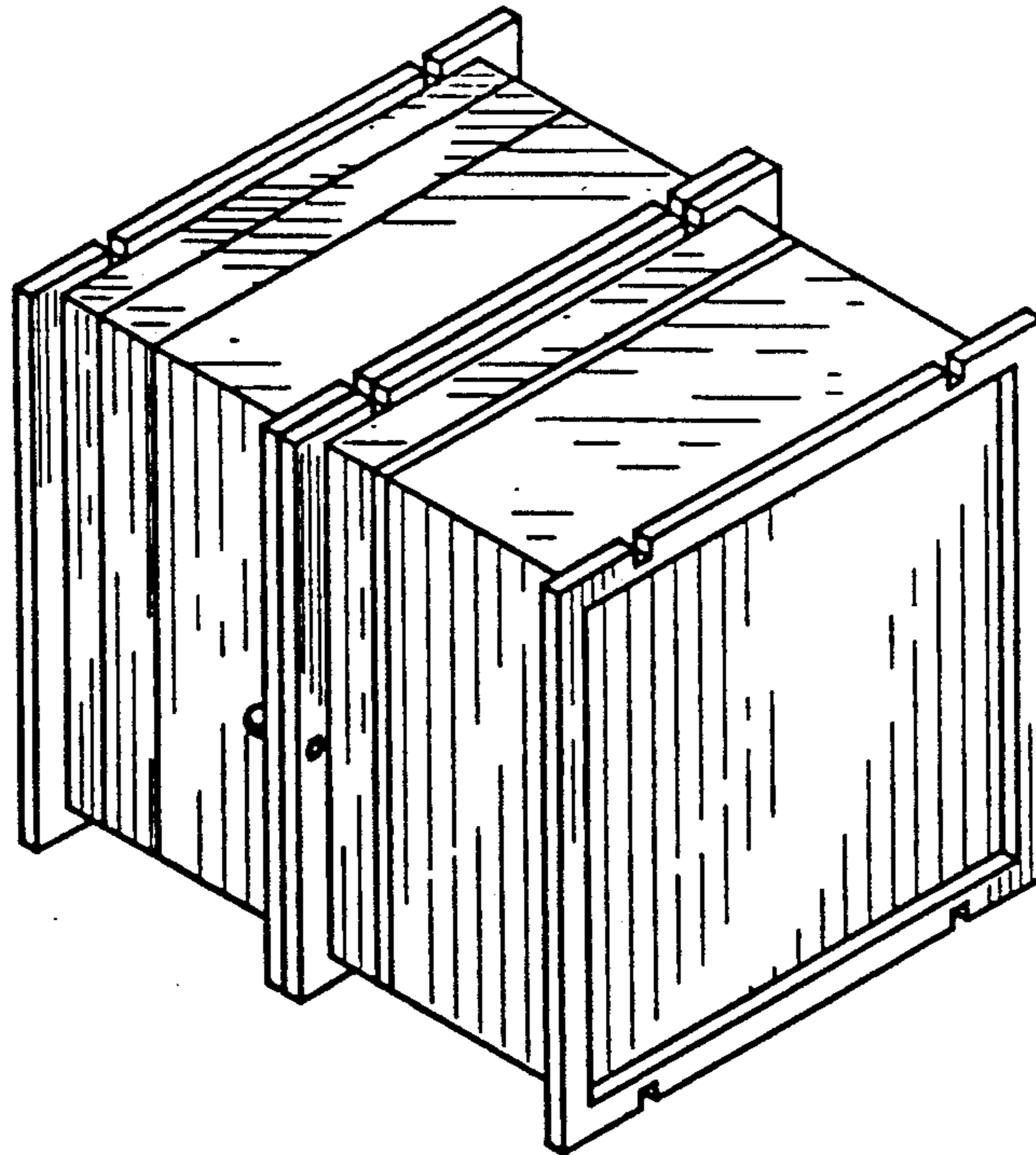
**DESCRIPTION**

[56] **References Cited**

**U.S. PATENT DOCUMENTS**

- D. 269,294 6/1983 Rakocy et al. .... D23/365
- 2,952,342 9/1960 Schnittker ..... 55/482
- 4,584,005 4/1986 Allan et al. .... 55/500

FIG. 1 is a perspective view of an air filter cartridge showing my new design;  
FIG. 2 is a top plan view thereof, the bottom plan view being a mirror image;  
FIG. 3 is a front elevational view thereof, the rear elevational view being a mirror image; and,  
FIG. 4 is a right side elevational view thereof, the opposite side being a mirror image.



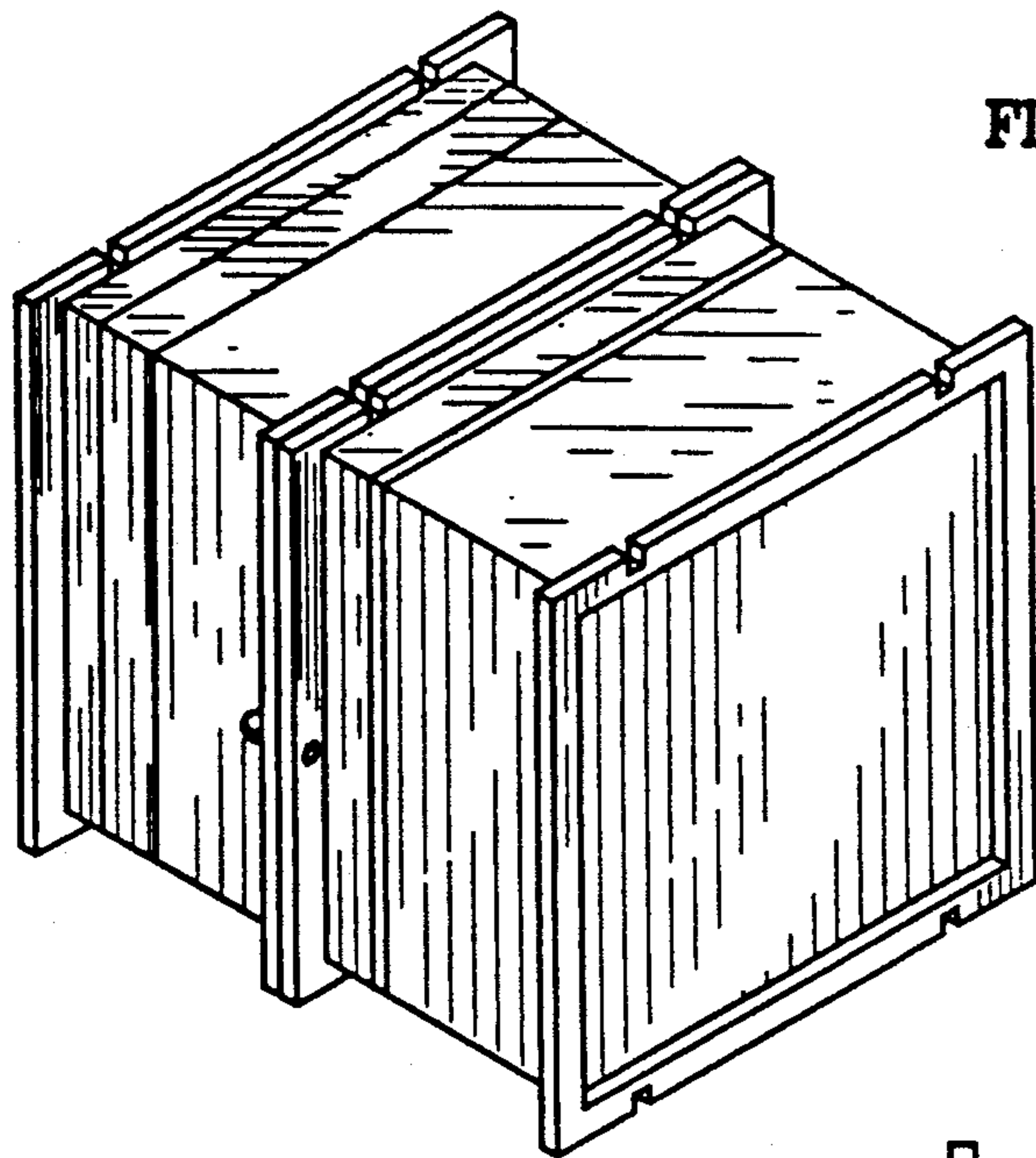


FIG. 1

FIG. 2

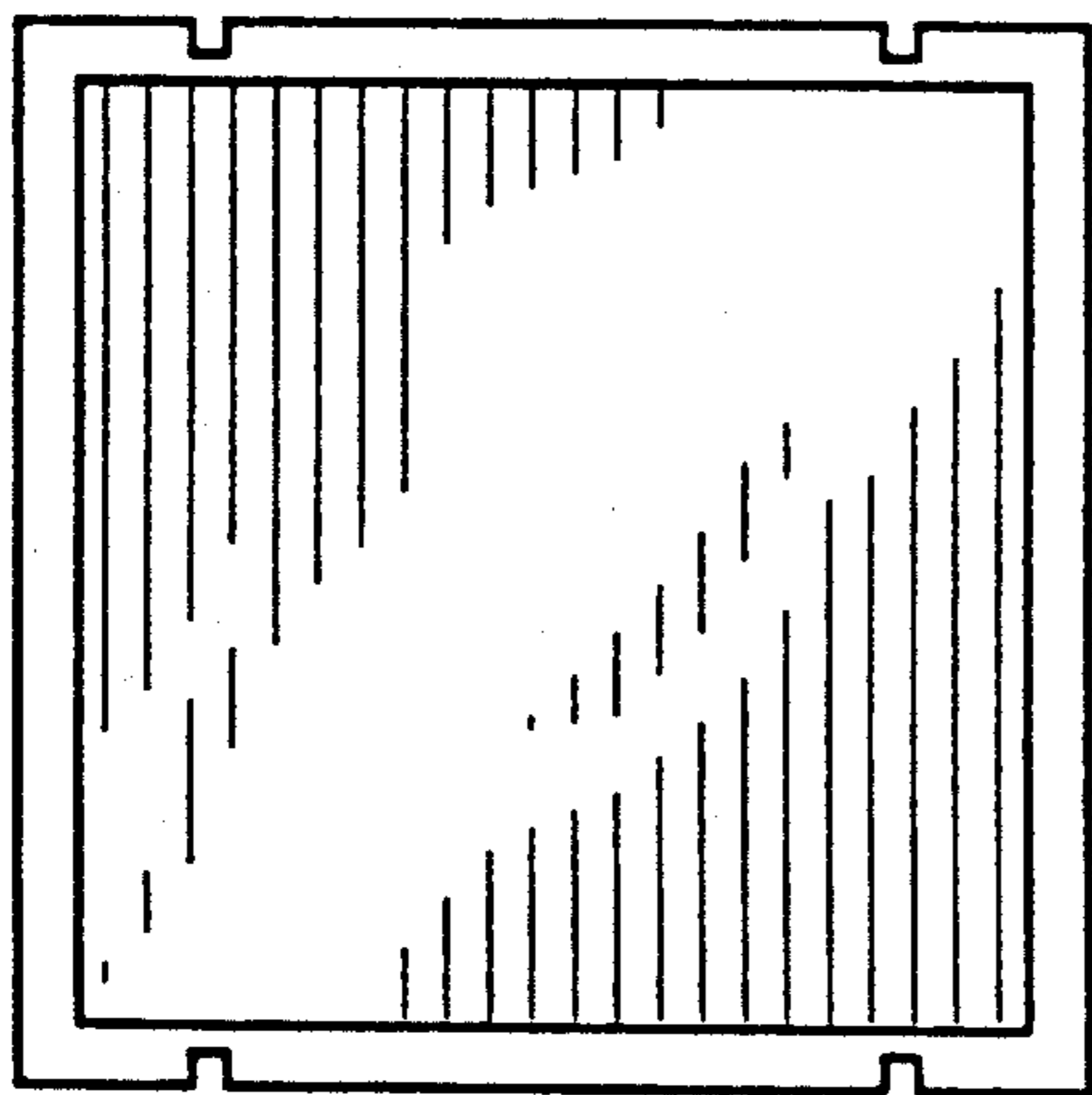
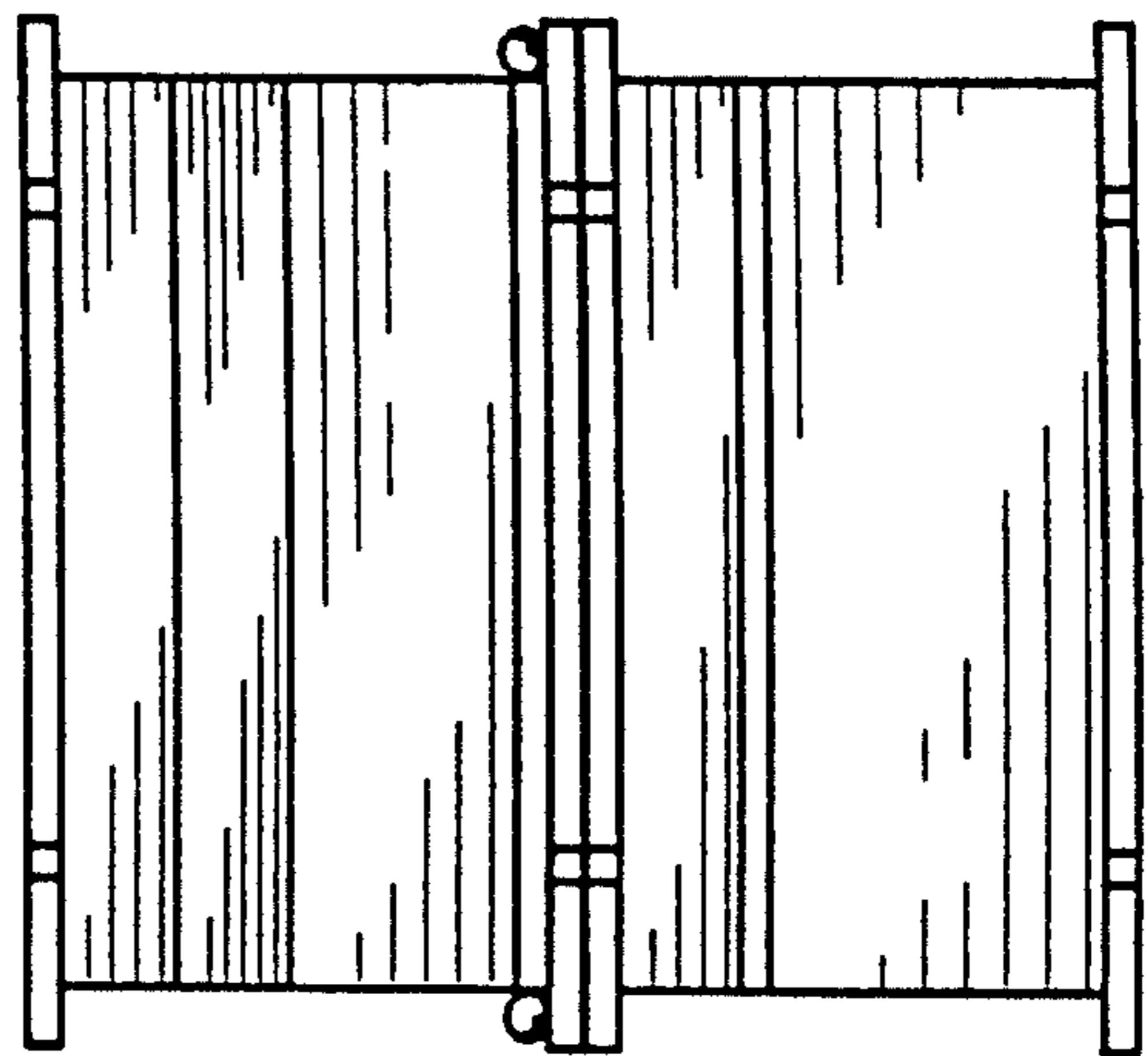


FIG. 3

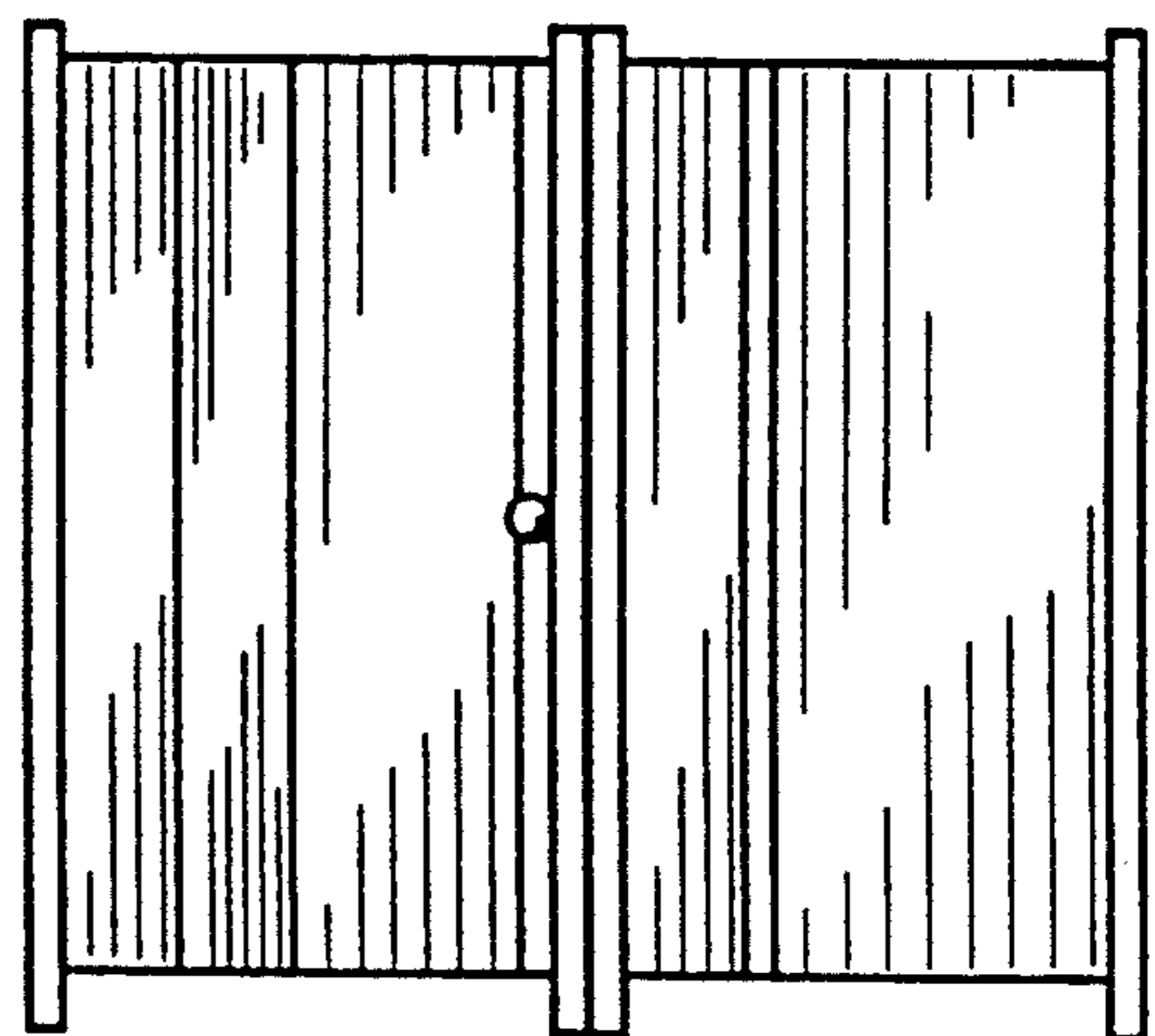


FIG. 4