



US00D344325S

United States Patent [19]

[11] Patent Number: Des. 344,325

Chalberg

[45] Date of Patent: ** Feb. 15, 1994

[54] COMBINED SUCTION ASSEMBLY AND LIGHT FOR A WHIRLPOOL BATH

[75] Inventor: Philip E. Chalberg, Costa Mesa, Calif.

[73] Assignee: Hydrabaths, Inc., Santa Ana, Calif.

[**] Term: 14 Years

[21] Appl. No.: 753,681

[22] Filed: Sep. 3, 1991

[52] U.S. Cl. D23/261

[58] Field of Search 4/492, 507, 541.1-541.6; 362/96, 101; D23/213, 260, 261; D26/51

[56] **References Cited**

U.S. PATENT DOCUMENTS

D. 260,807	9/1981	Moreland	D23/213
D. 290,166	6/1987	Jacuzzi	D23/261
D. 299,522	1/1989	Chalberg	D23/261
1,968,072	7/1934	Creighton	362/101
4,359,790	11/1982	Chalberg	4/541.3 X
4,593,420	6/1986	Tobias et al.	4/492
5,000,665	3/1991	Moeller	362/101
5,014,372	5/1991	Thrasher et al.	4/492 X
5,122,936	6/1992	Guthrie	362/101
5,207,499	5/1993	Vajda et al.	362/96
5,217,292	6/1993	Chalberg	362/96

Primary Examiner—James R. Largen
Attorney, Agent, or Firm—Leonard Tachner

[57] **CLAIM**

The ornamental design for a combined suction assembly and light for a whirlpool bath, as shown and described.

DESCRIPTION

FIG. 1 is a top front isometric view of a combined suction assembly and light for a whirlpool bath showing my new design;

FIG. 2 is a bottom rear isometric view thereof;

FIG. 3 is a front elevational view thereof;

FIG. 4 is a rear elevational view thereof;

FIG. 5 is a top plan view thereof;

FIG. 6 is a bottom plan view thereof;

FIG. 7 is a right side elevational view thereof, the left side being a mirror image of the right side;

FIG. 8 is a top front isometric view of a second embodiment thereof;

FIG. 9 is a bottom rear isometric view of FIG. 8;

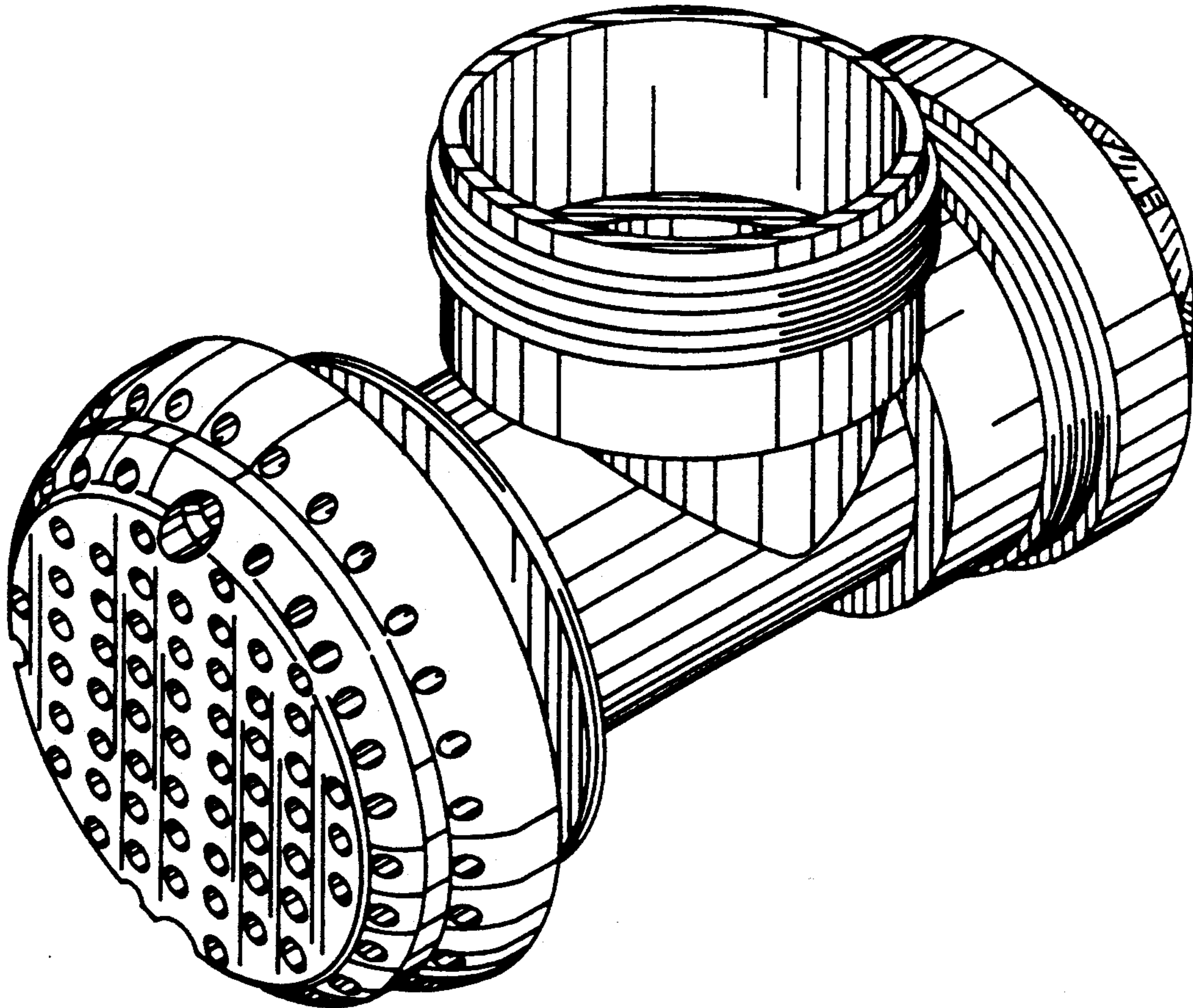
FIG. 10 is a front elevational view of FIG. 8;

FIG. 11 is a rear elevational view of FIG. 8;

FIG. 12 is a top plan view of FIG. 8;

FIG. 13 is a bottom plan view of FIG. 8; and,

FIG. 14 is a right side elevational view of FIG. 8, the left side being a mirror image of the right side.



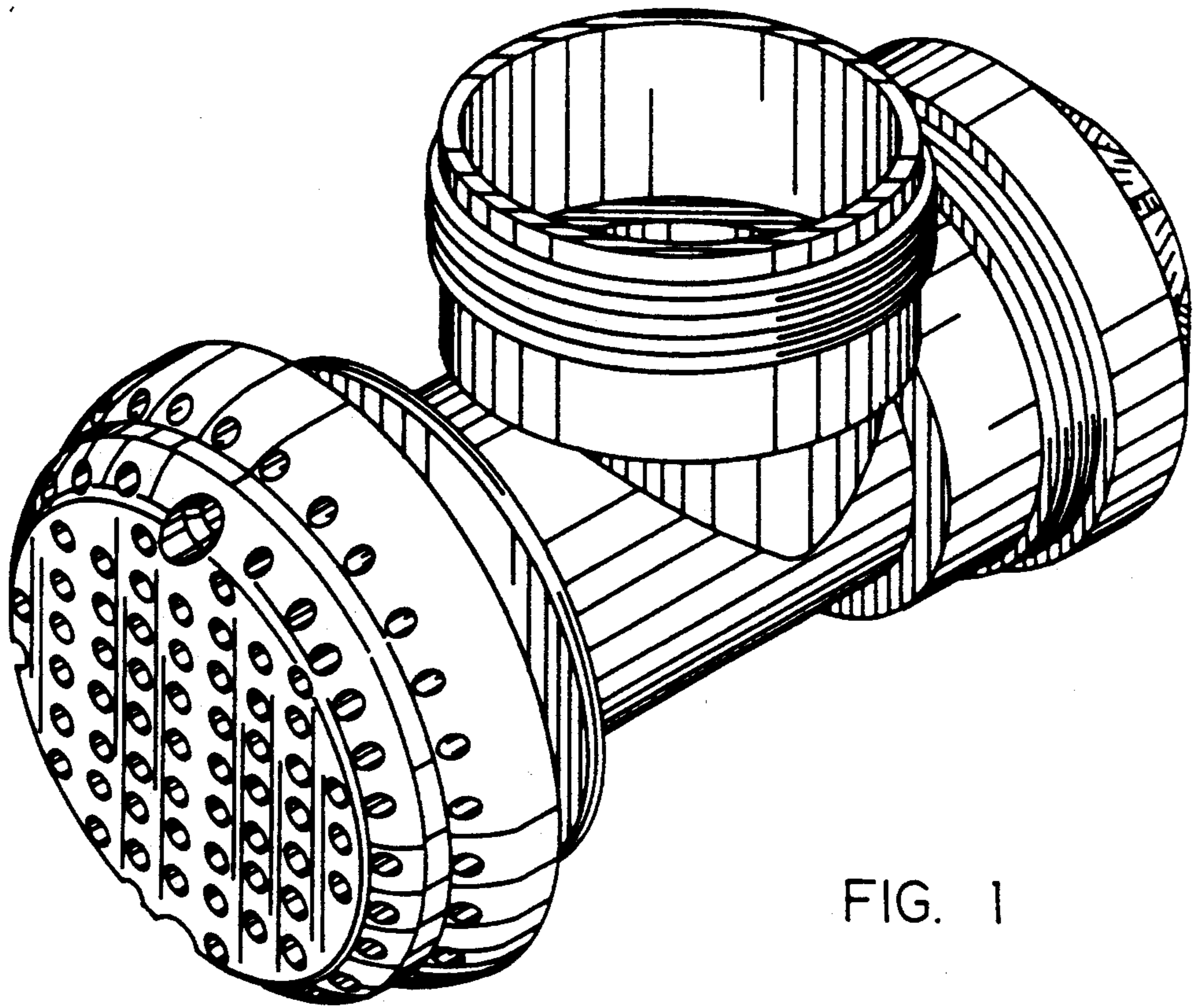


FIG. 1

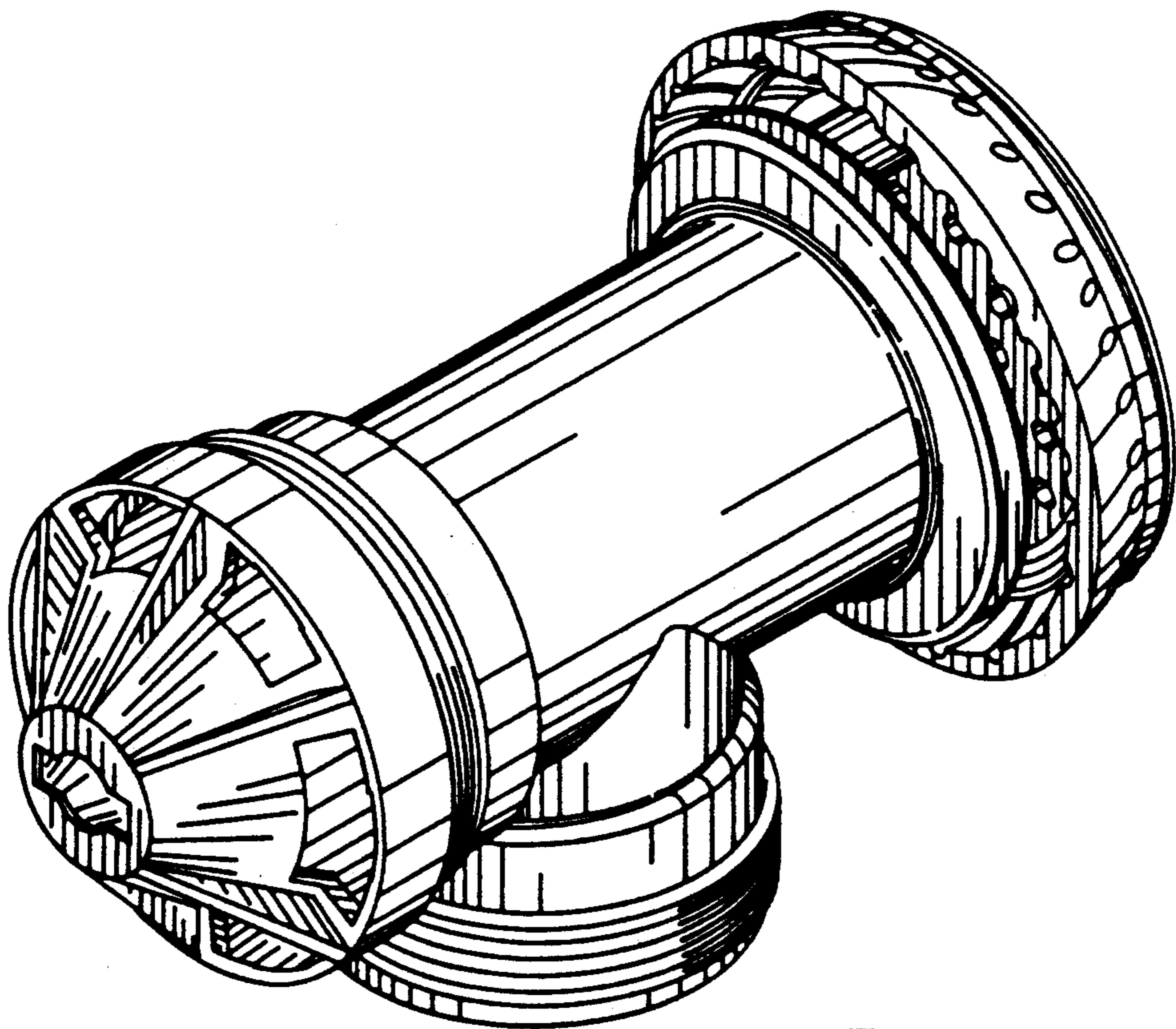


FIG. 2

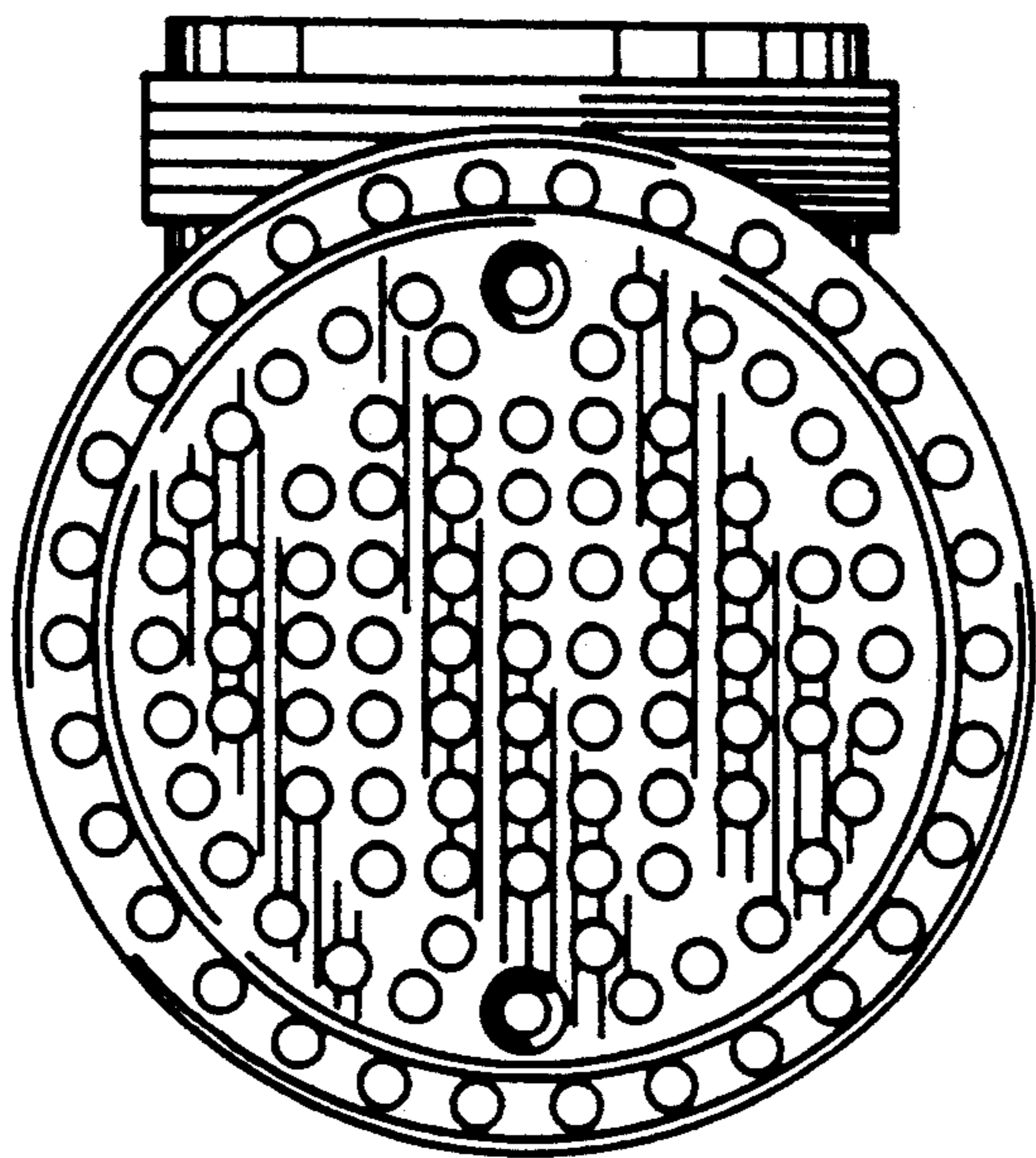


FIG. 3

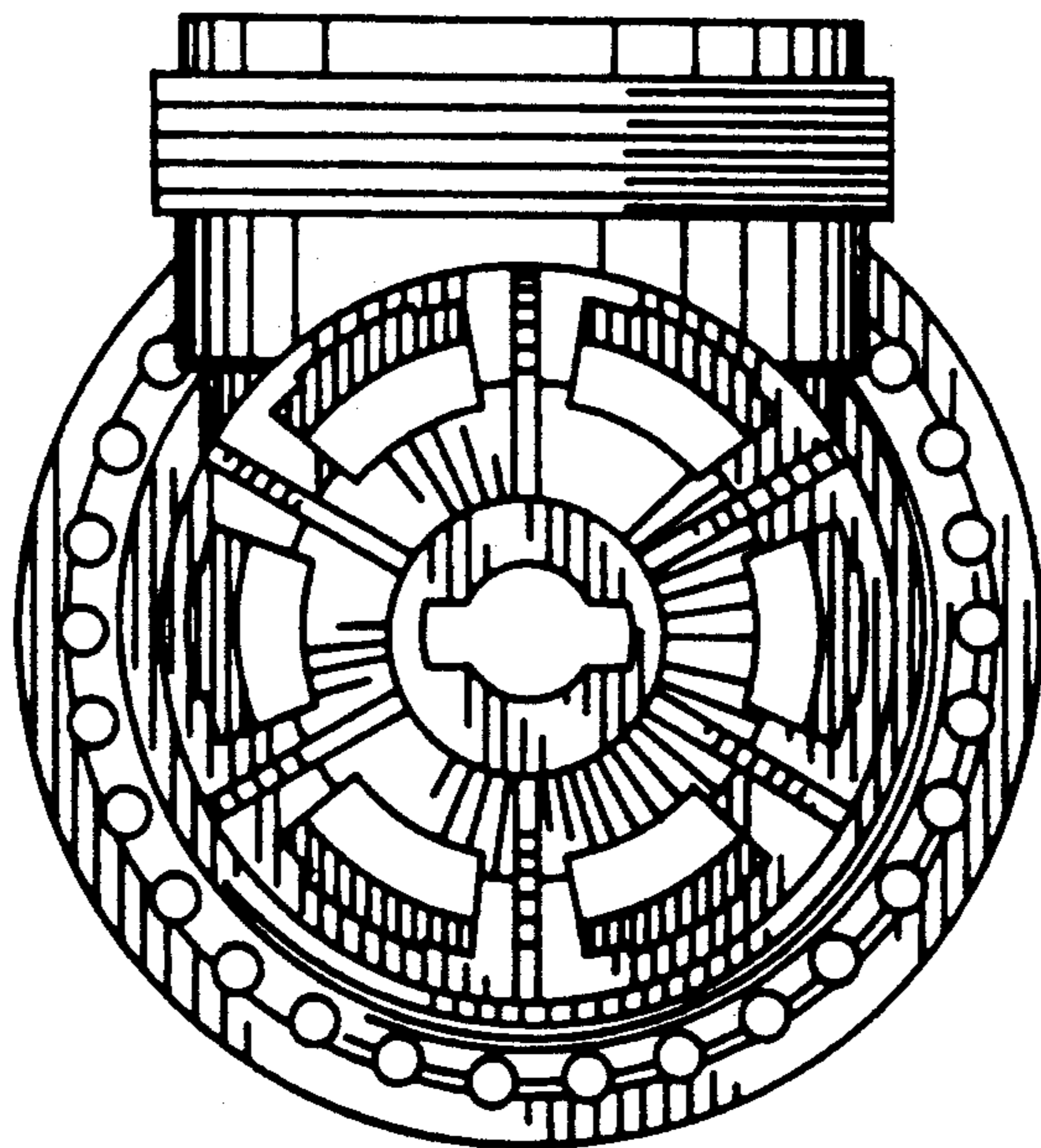


FIG. 4

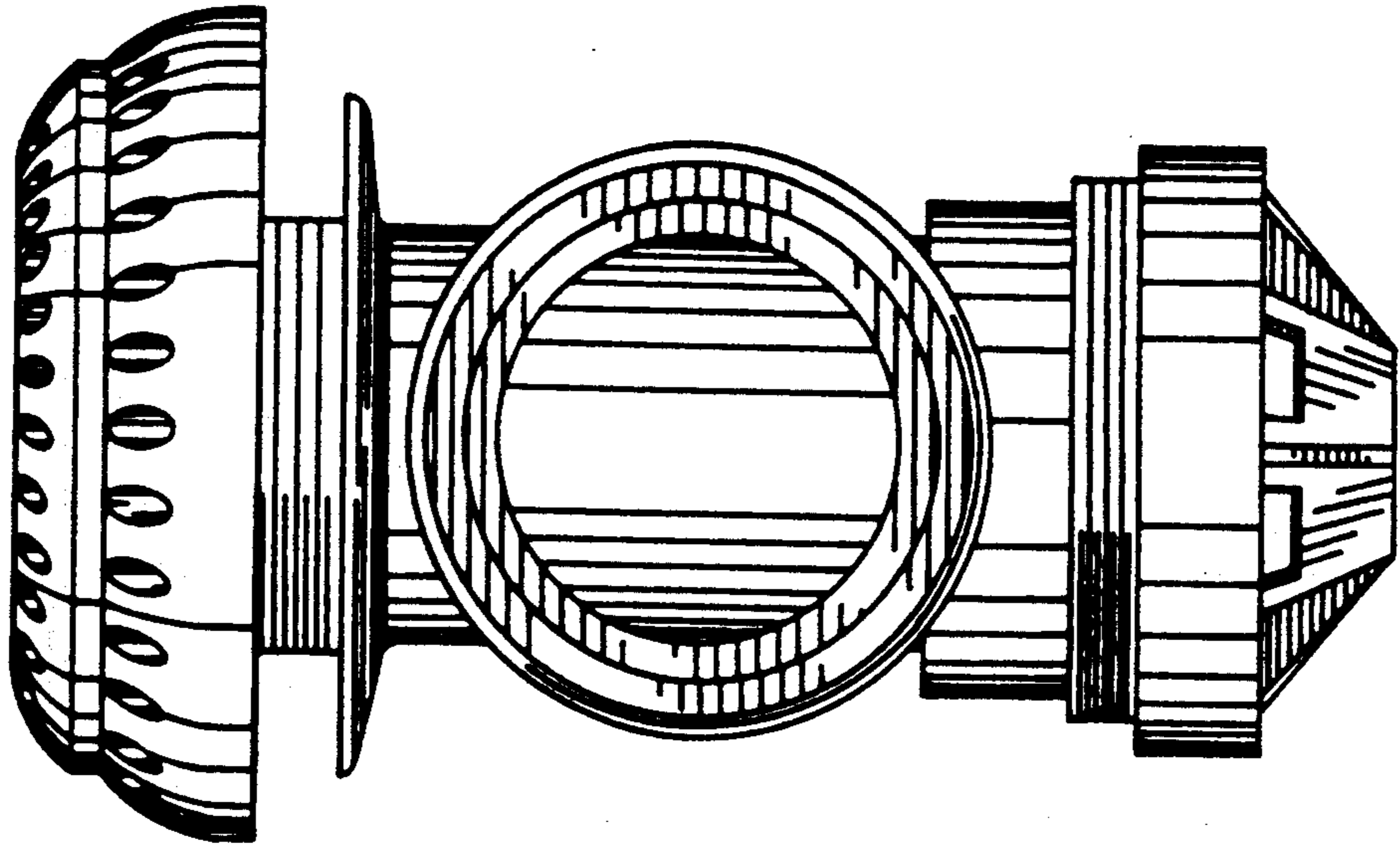


FIG. 5

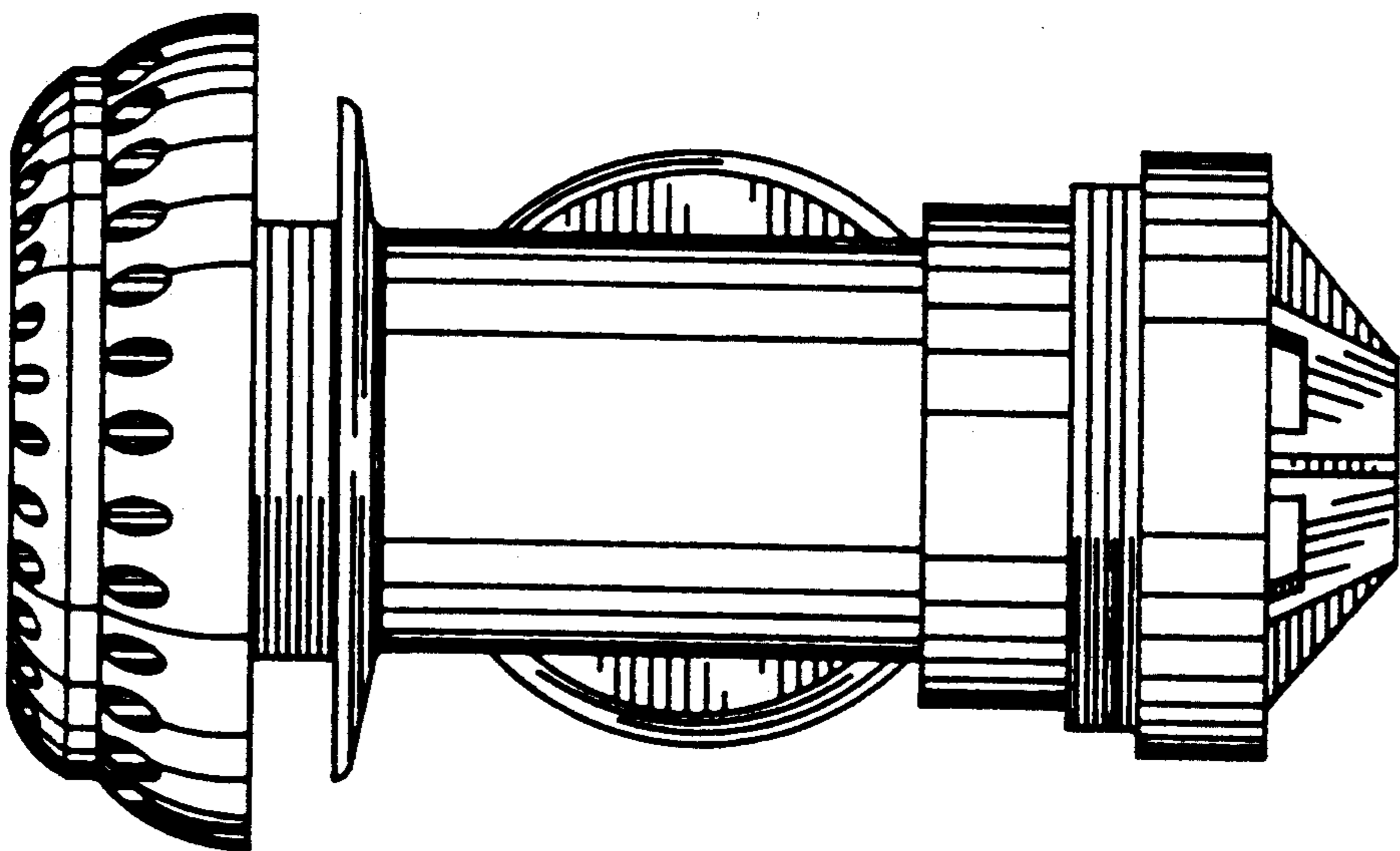


FIG. 6

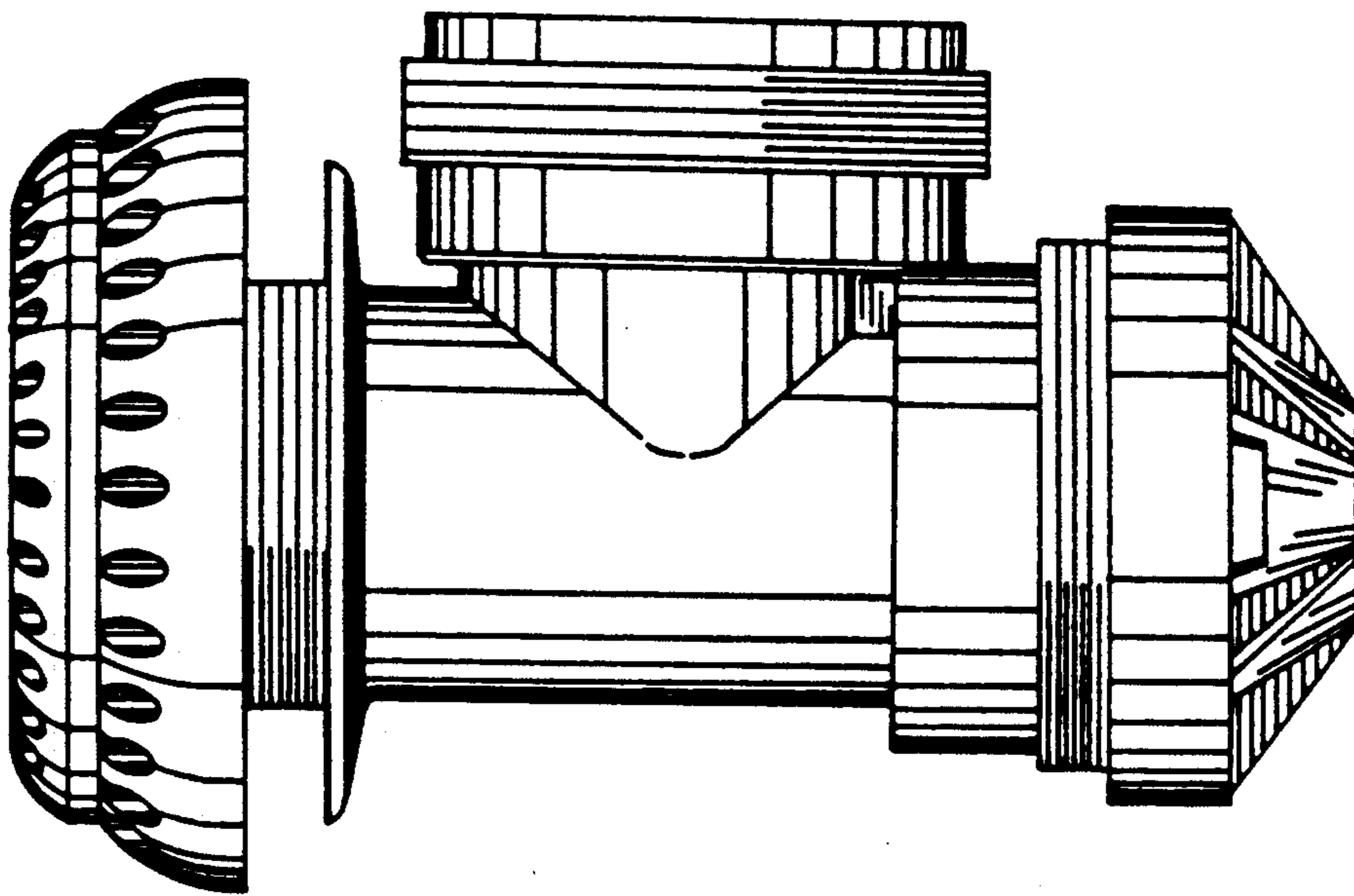


FIG. 7

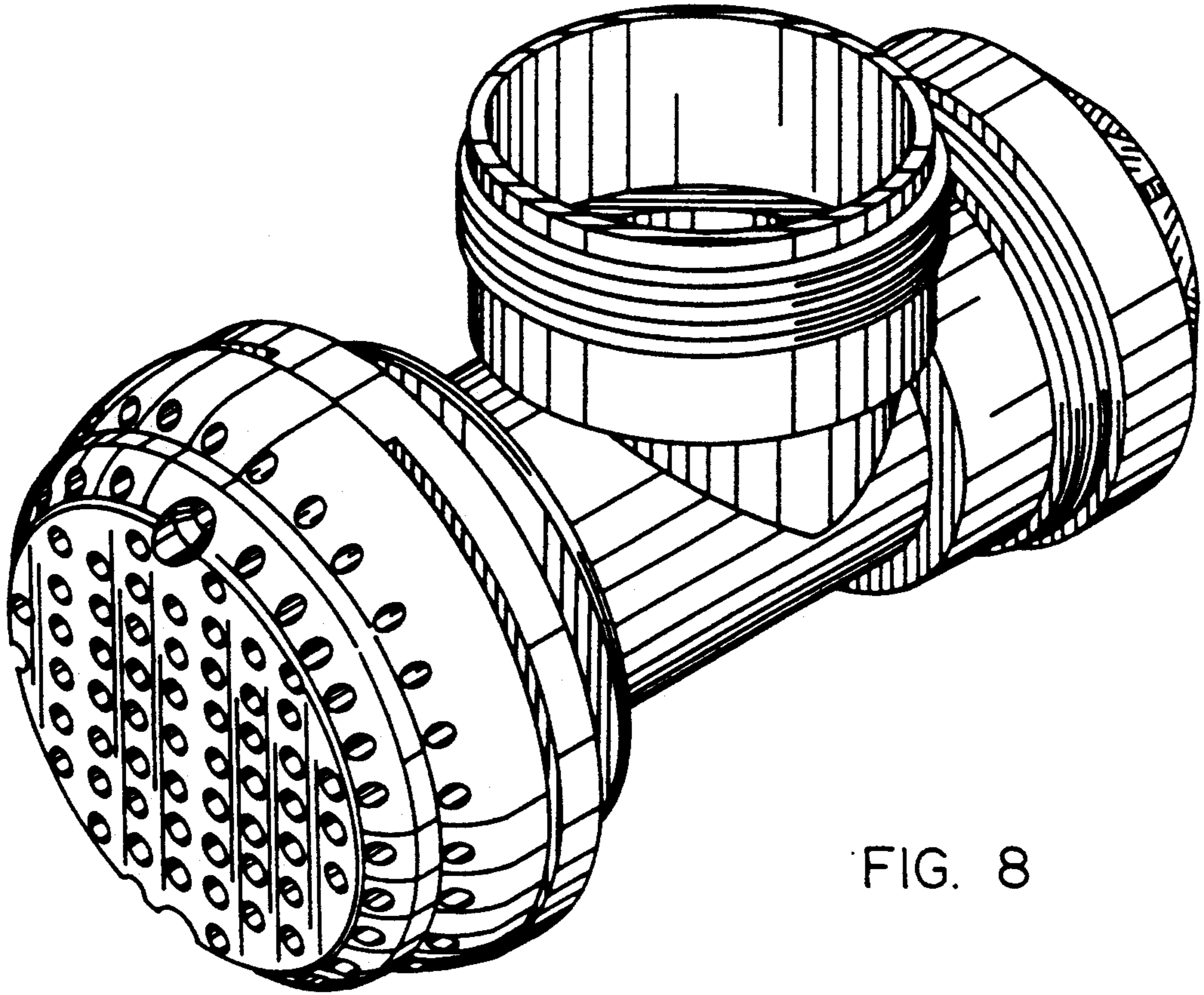


FIG. 8

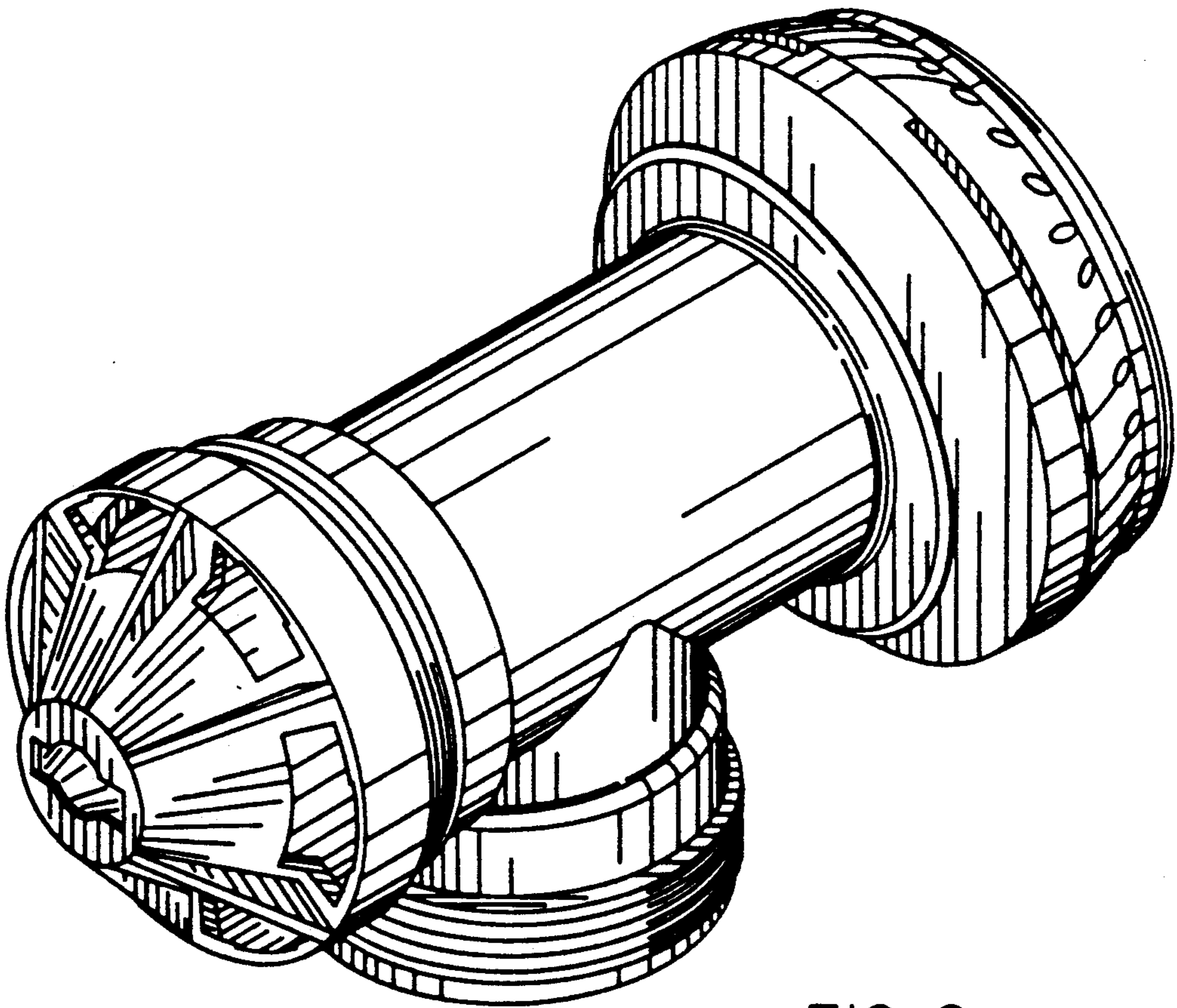


FIG. 9

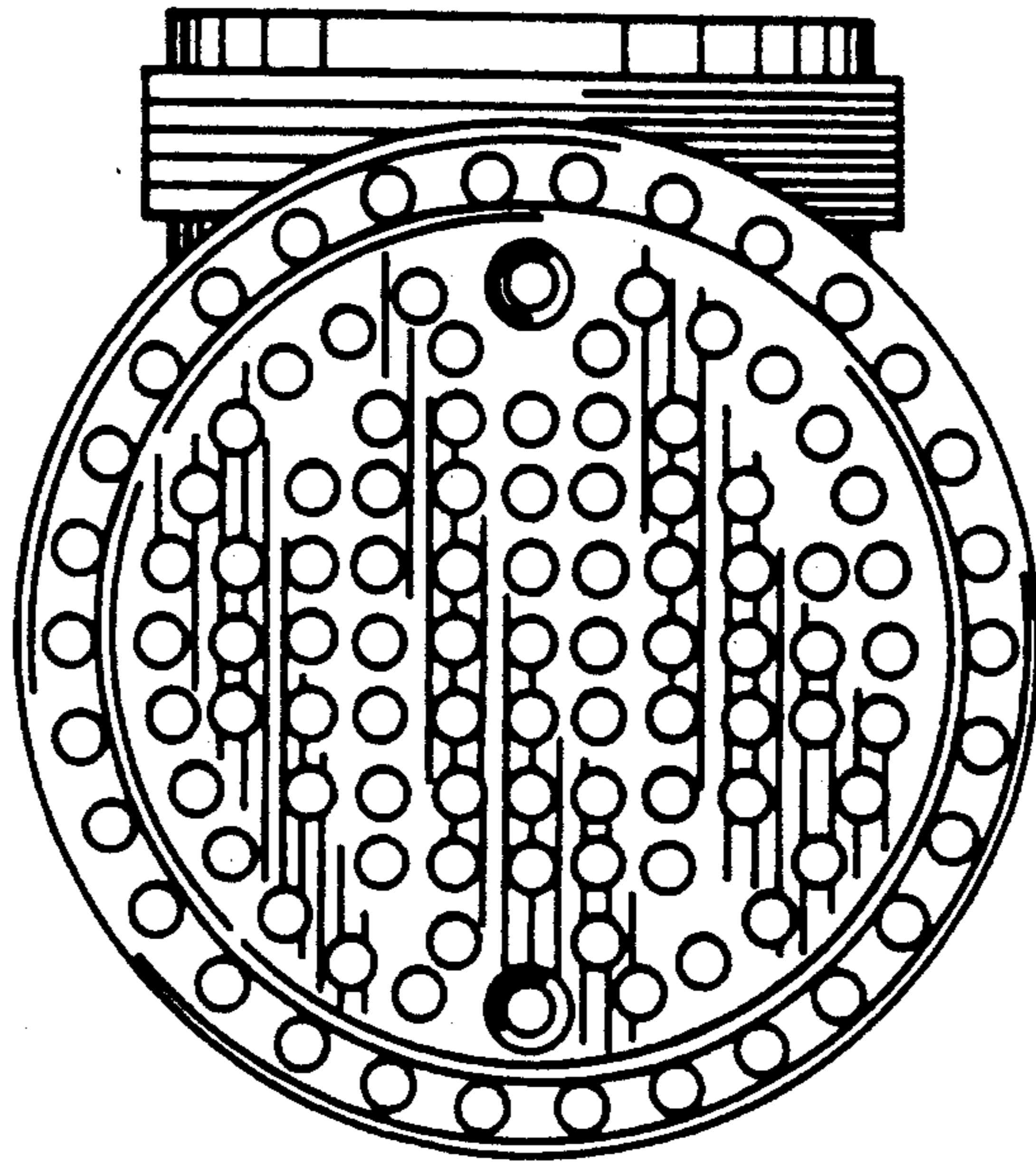


FIG. 10

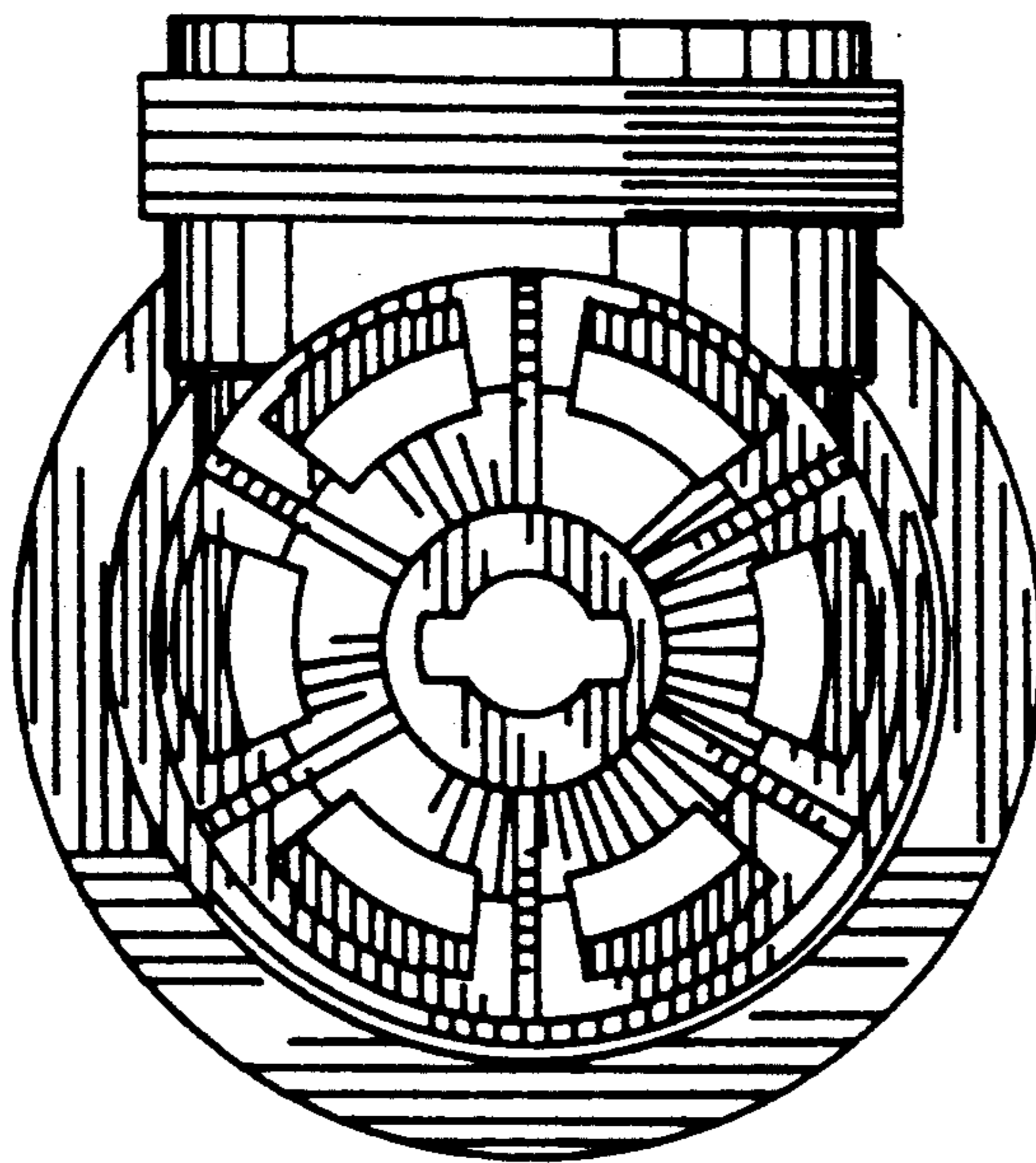


FIG. 11

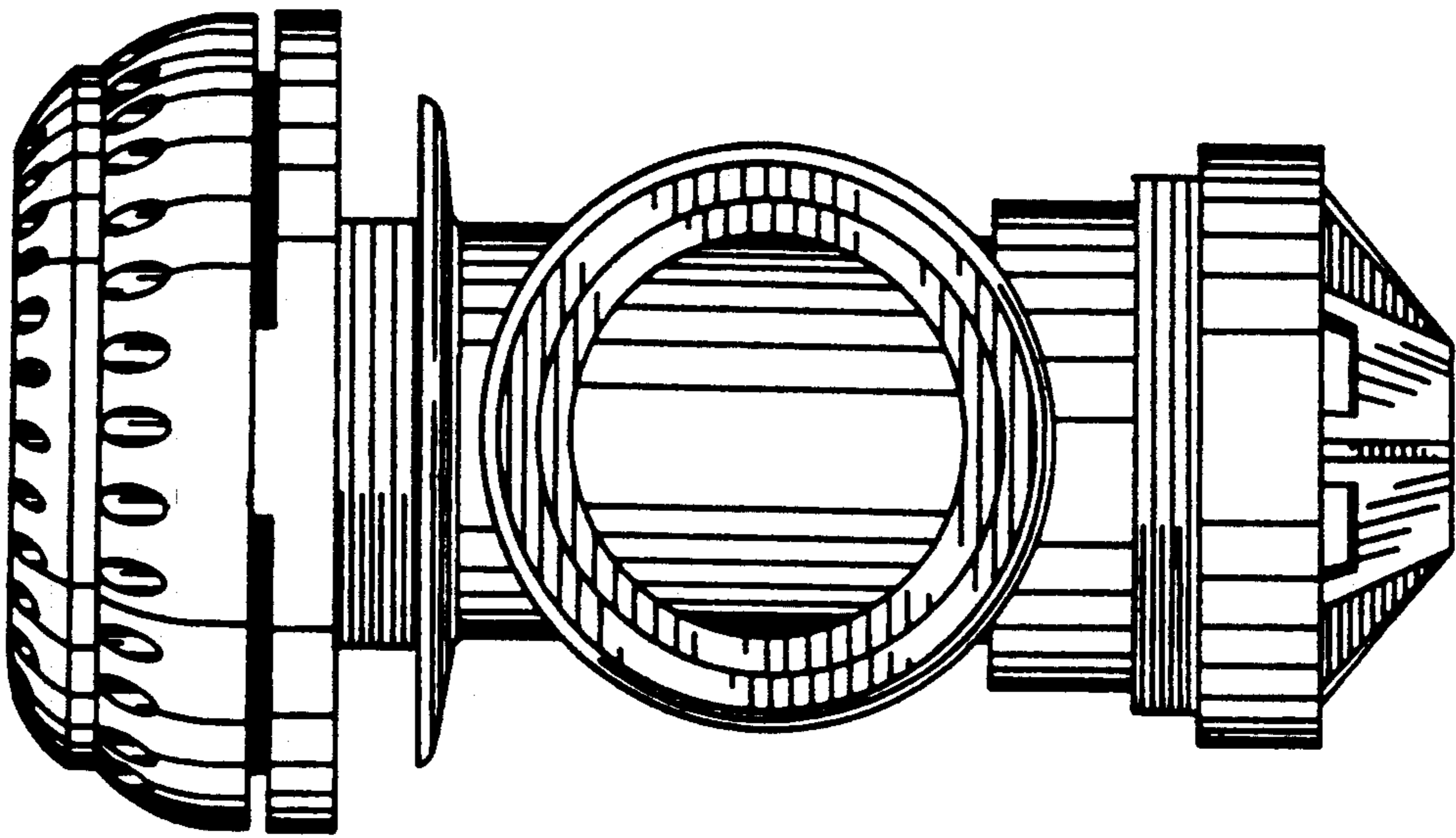


FIG. 12

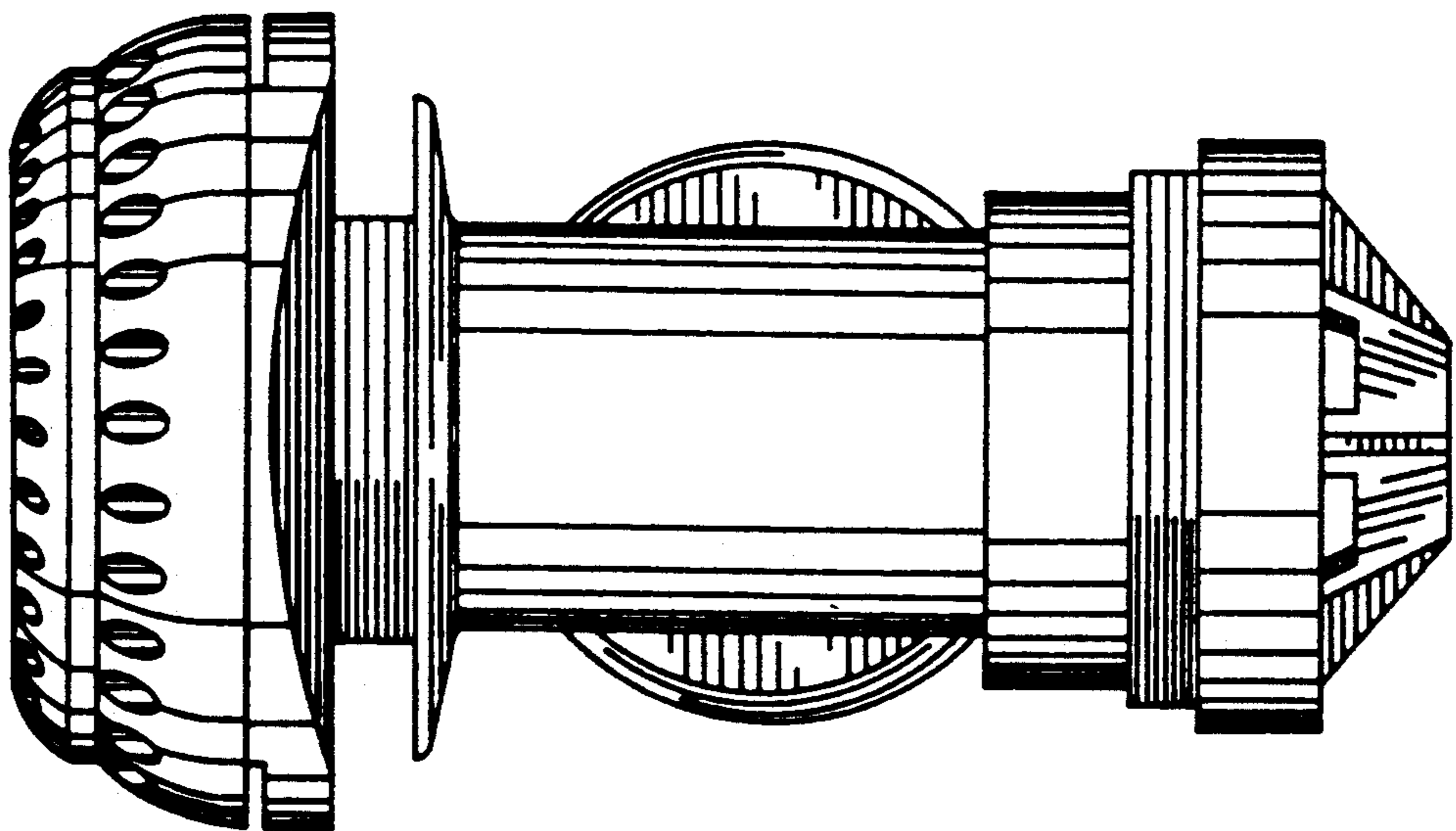


FIG. 13

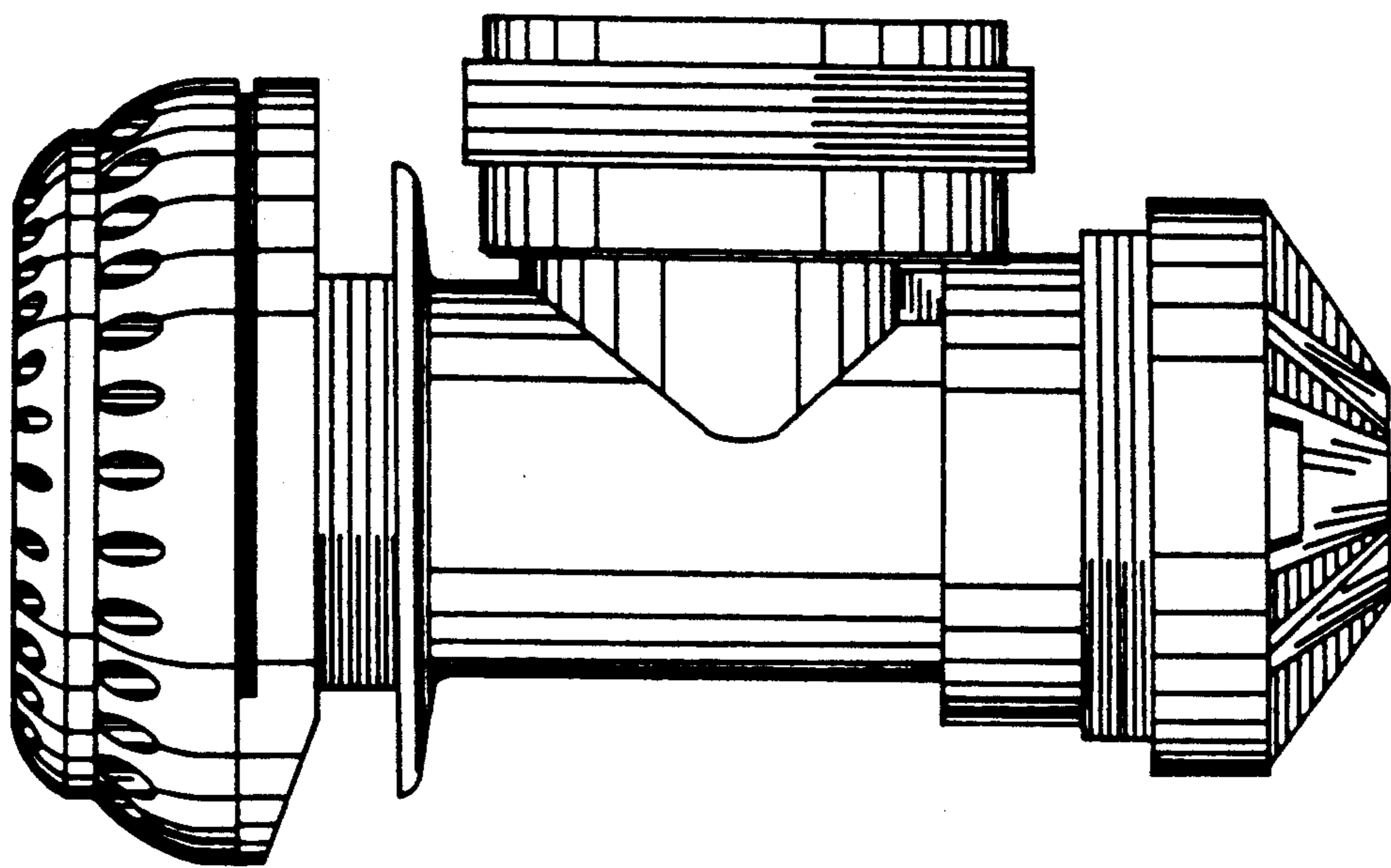


FIG. 14