



US00D344319S

# United States Patent [19]

[11] Patent Number: **Des. 344,319**

Liu

[45] Date of Patent: **\*\* Feb. 15, 1994**

[54] **ULTRASONIC MOUSE REPELLER**

4,658,386 4/1987 Morris ..... 367/139  
5,214,411 5/1993 Herbruck ..... 367/139 X

[76] Inventor: **Michael Liu**, Fl. 4, No. 59-1, Tsao Di Wei, Shen Keng Hsiang, Taipei Hsien, Taiwan

**OTHER PUBLICATIONS**

U.S. Purchasing Exchange Flyer, Jun. 11, 1991, Ultrasonic Pest Repeller #34269.

Amoco Oil Merchandise Center Flyer, Rodelsonix IV.

[\*\*] Term: **14 Years**

*Primary Examiner*—A. Hugo Word

*Assistant Examiner*—Doris V. Coles

*Attorney, Agent, or Firm*—Bacon & Thomas

[21] Appl. No.: **820,389**

[22] Filed: **Jan. 14, 1992**

[52] U.S. Cl. .... **D22/120**

[58] Field of Search ..... 43/124, 143; 367/139; 340/384 E; D22/120, 119; D14/100, 113

[57] **CLAIM**

The ornamental design for an ultrasonic mouse repeller, as shown and described.

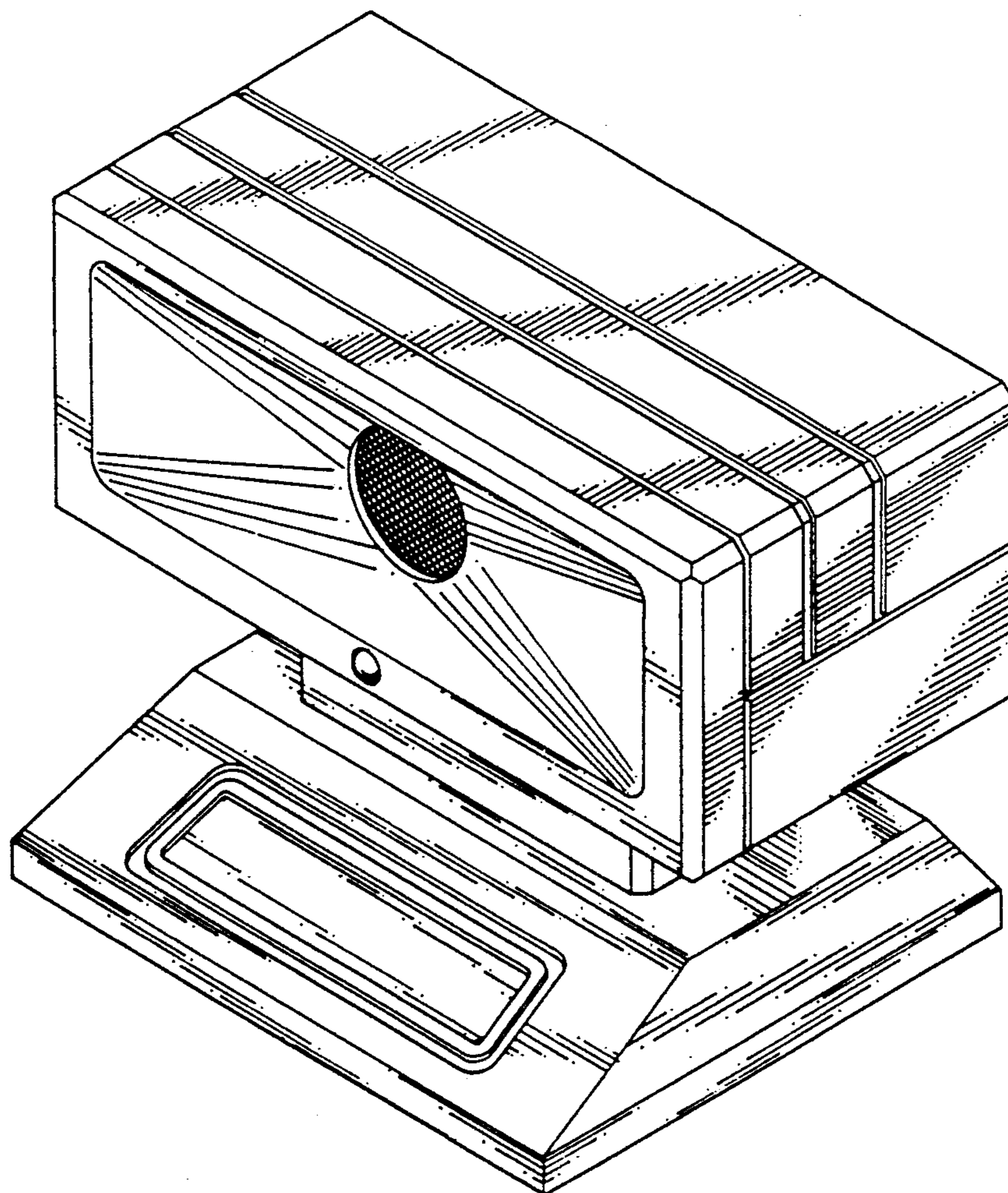
[56] **References Cited**

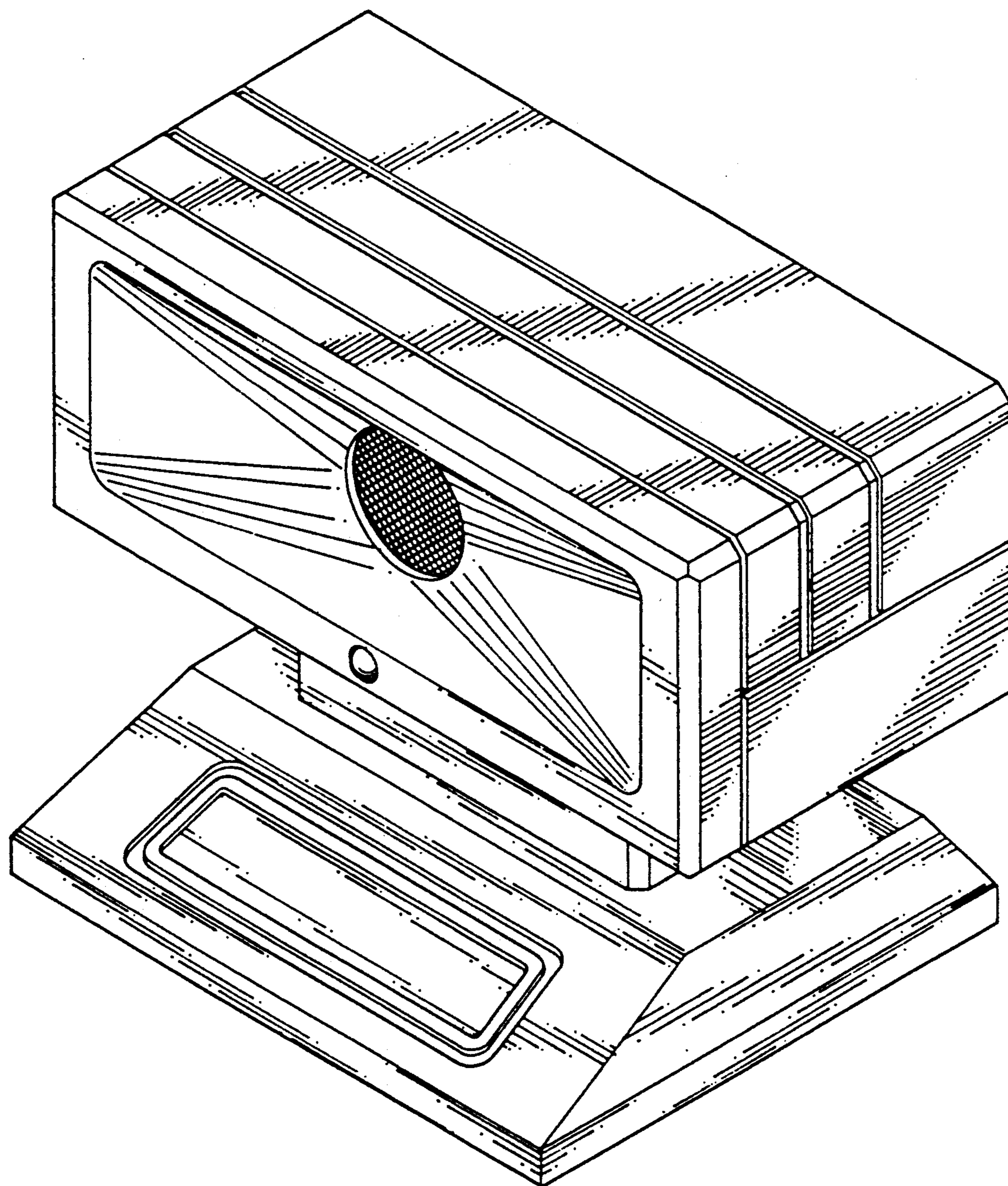
**U.S. PATENT DOCUMENTS**

D. 238,171	12/1975	Banich	.....	D22/120
D. 256,959	9/1980	Hall	.....	D22/120
D. 269,990	8/1983	Hall	.....	D22/120
D. 332,987	2/1993	Der-Jinn	.....	D22/120
D. 336,645	6/1993	Saito et al.	.....	D14/113 X
3,879,702	4/1975	Mancone	.....	D22/120 X
4,438,458	3/1984	Munscher	.....	D14/113 X
4,484,315	11/1984	Hall	.....	43/124 X
4,484,316	11/1984	Nakagawa	.....	367/139

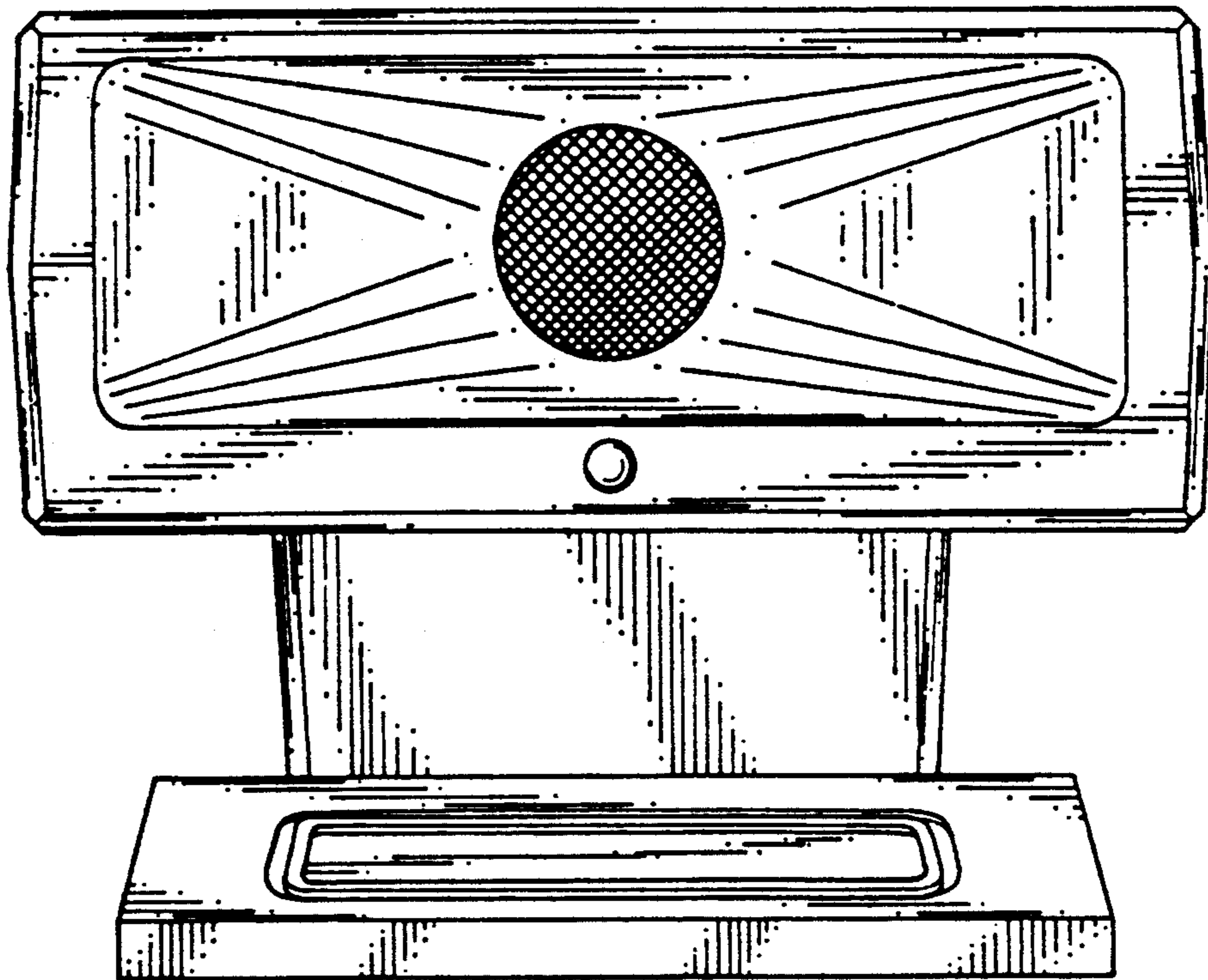
**DESCRIPTION**

FIG. 1 is a perspective view of an ultrasonic mouse repeller of my new design; FIG. 2 is a front elevational view thereof; FIG. 3 is a rear elevational view thereof; FIG. 4 is a left side elevational view thereof; FIG. 5 is a right side elevational view thereof; FIG. 6 is a top plan view thereof; and, FIG. 7 is a underneath plan view thereof.

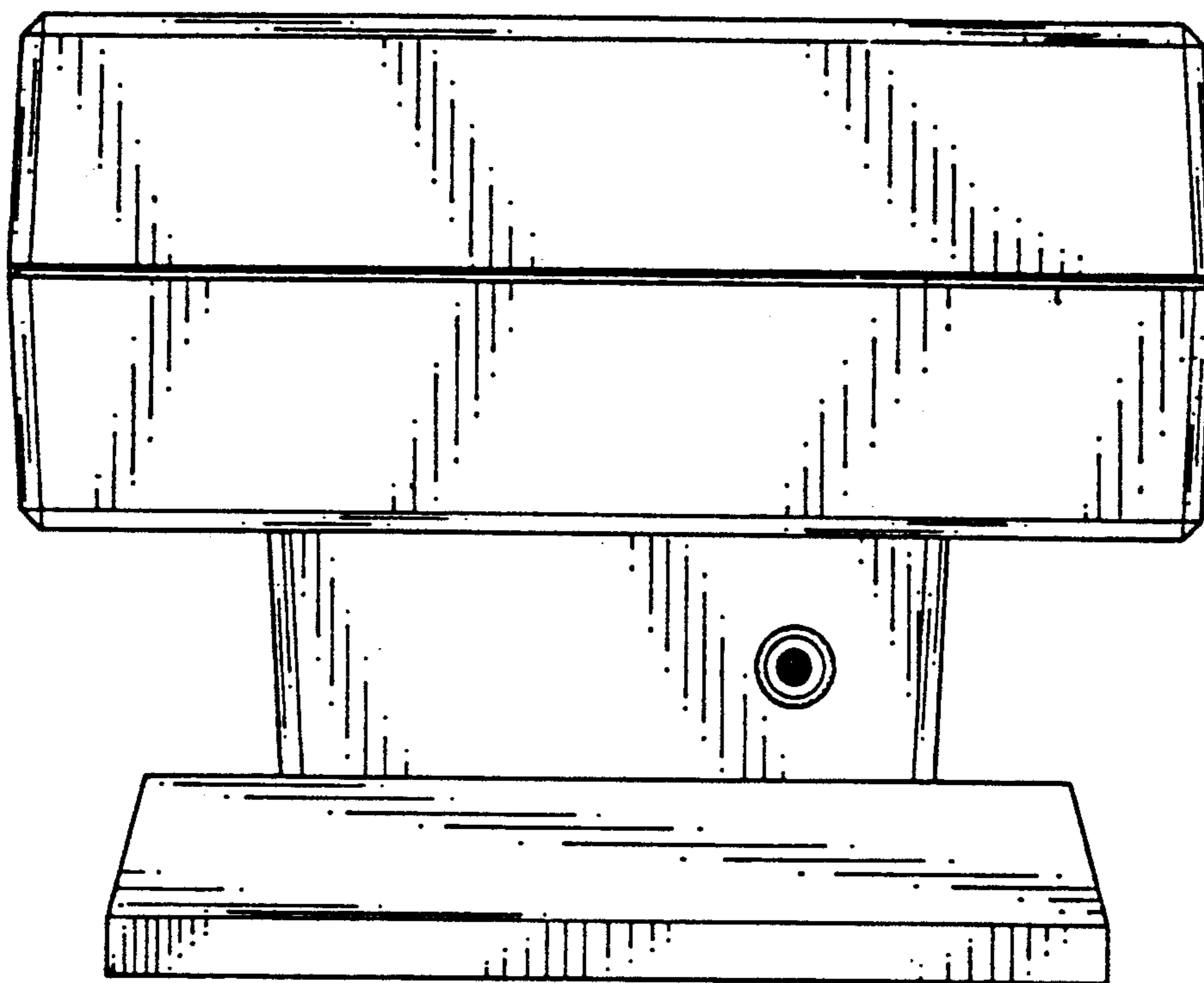




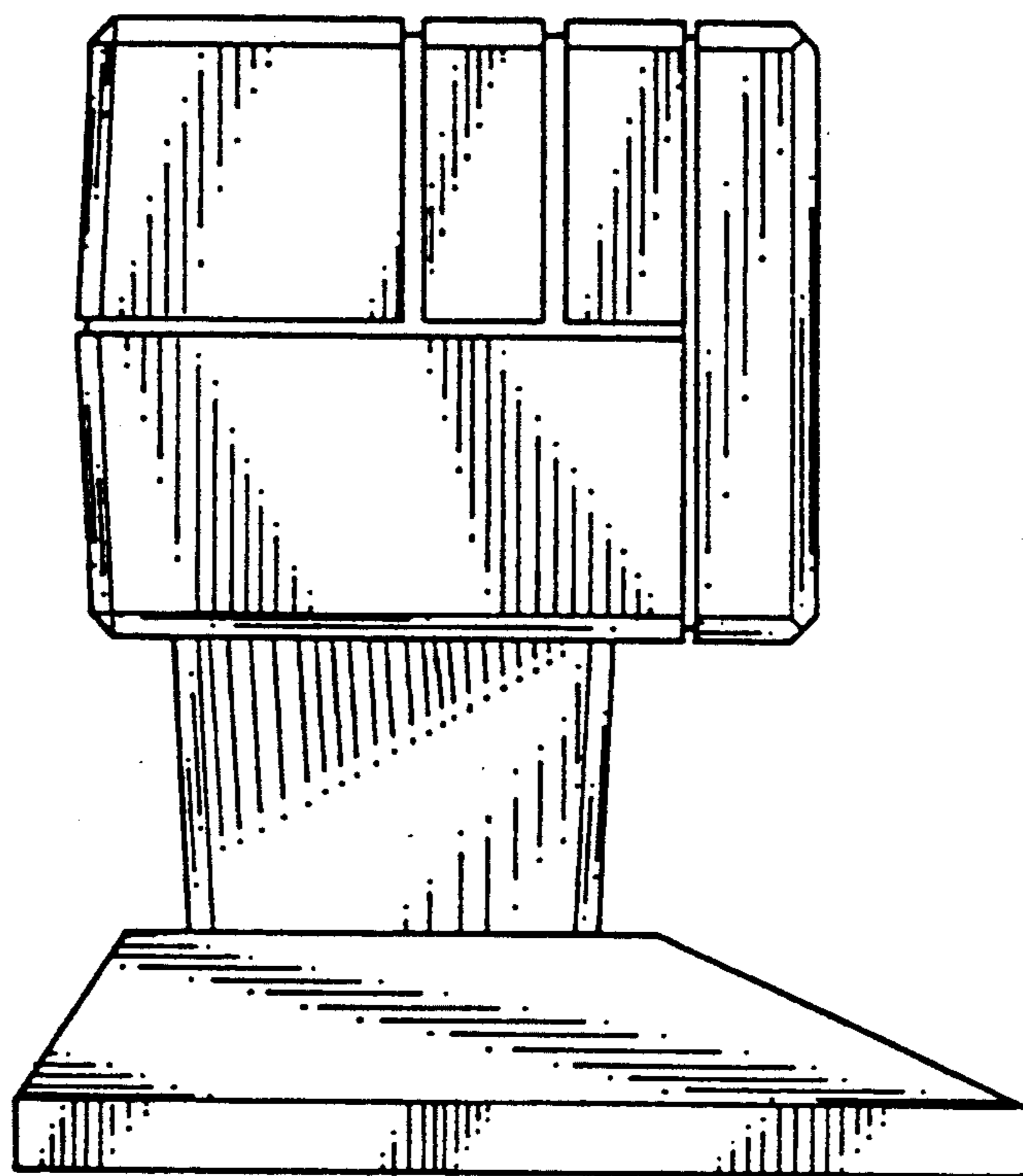
**FIG. 1**



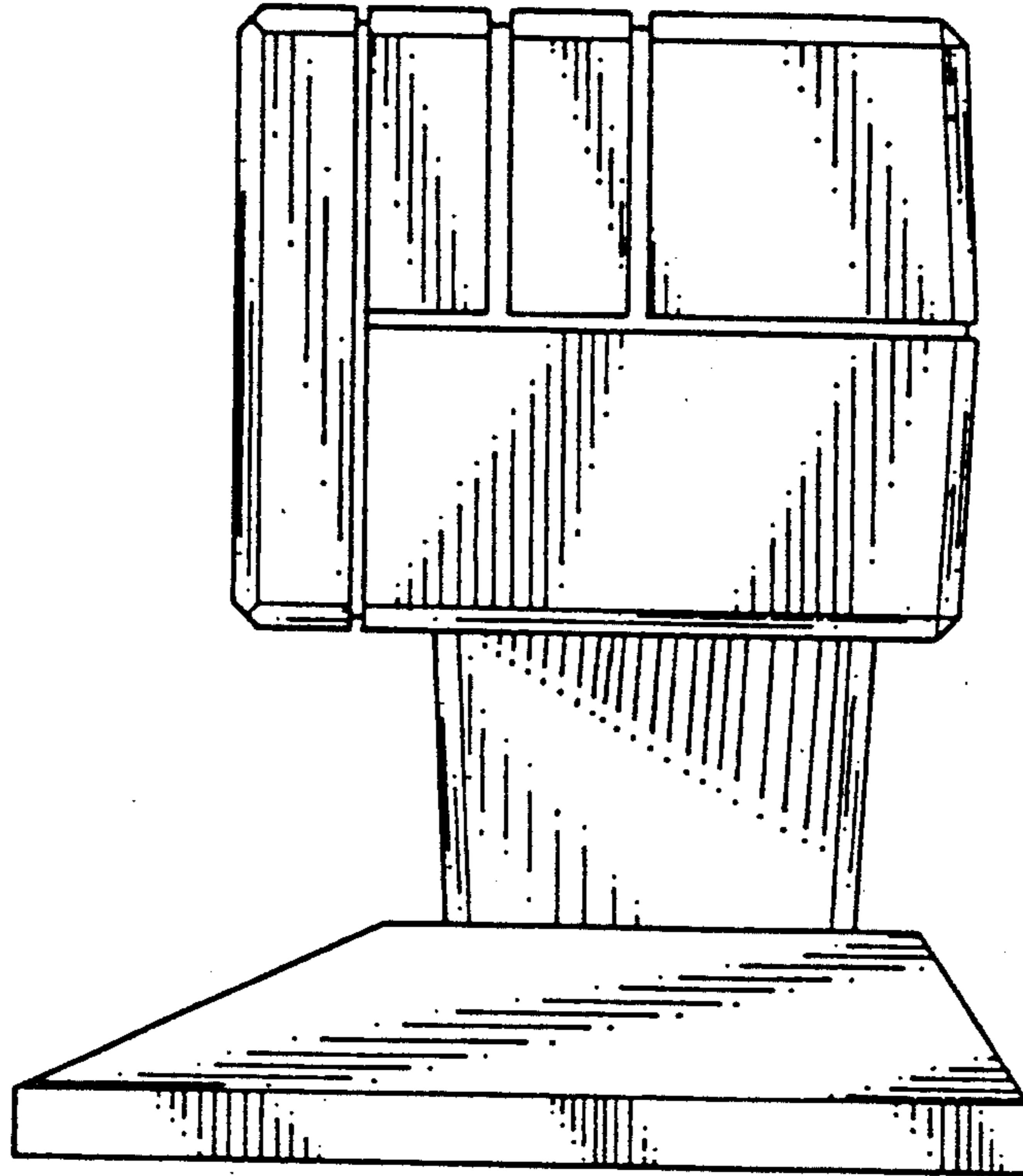
*FIG. 2*



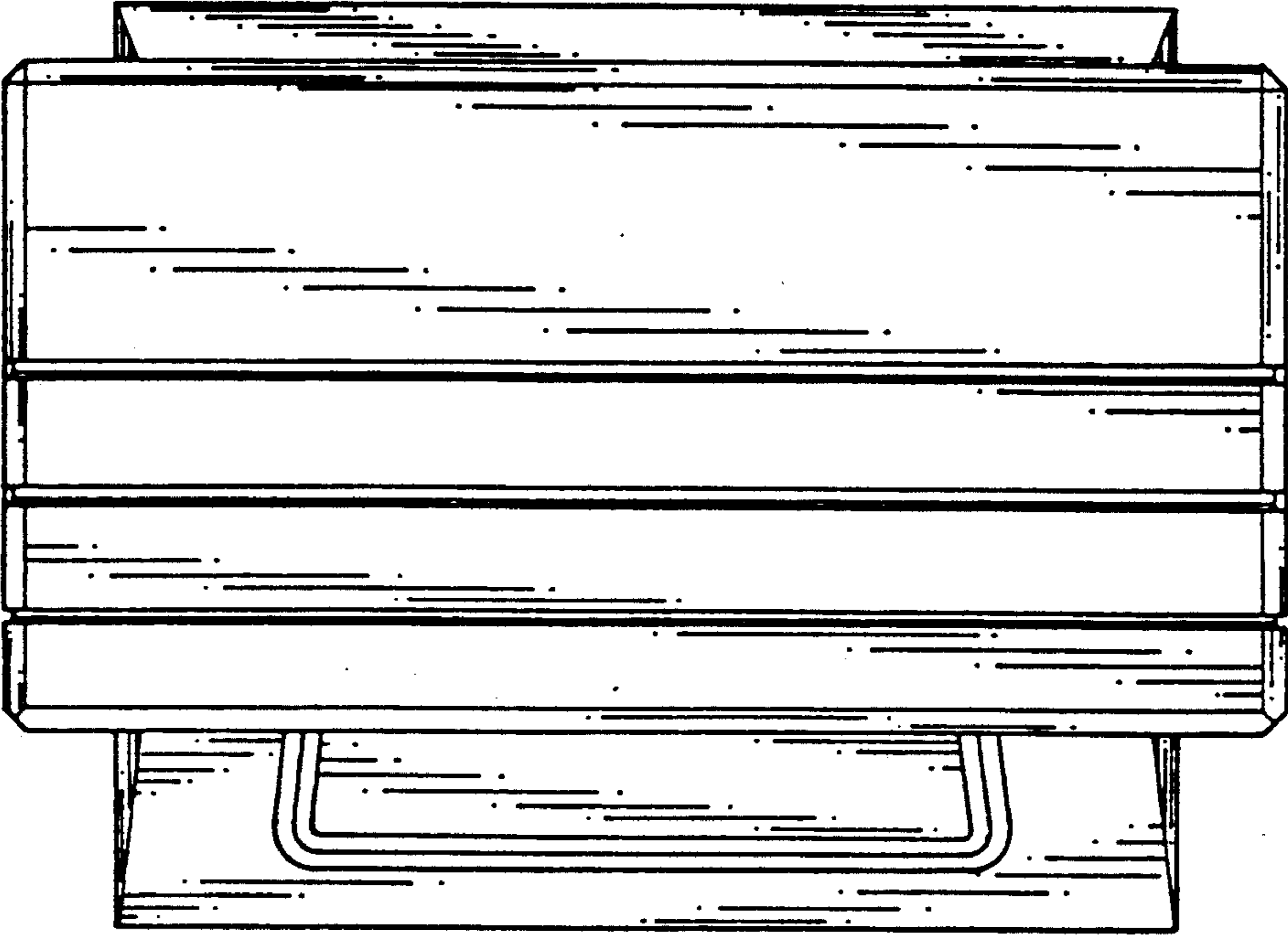
*FIG. 3*



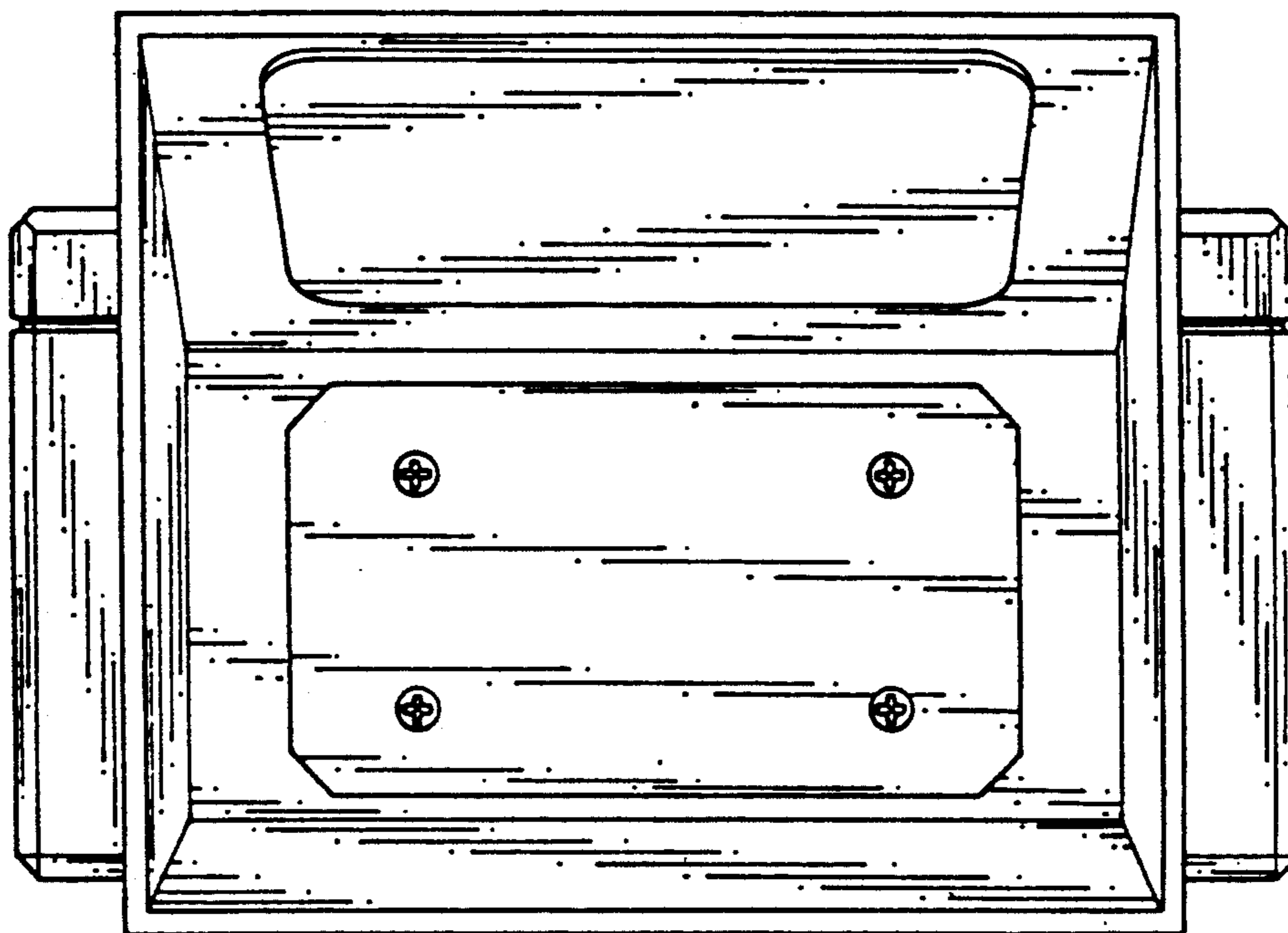
**FIG. 4**



**FIG. 5**



**FIG. 6**



**FIG. 7**