



US00D344317S

United States Patent [19]

[11] Patent Number: **Des. 344,317**

Petersheim

[45] Date of Patent: **** Feb. 15, 1994**

[54] **COMBINED SLIDE AND PLAY ENCLOSURE**

D. 330,742 11/1992 Matsch D21/242
779,329 6/1905 Thompson 472/136 X

[75] Inventor: **Richard J. Petersheim**, Charlotte, N.C.

OTHER PUBLICATIONS

[73] Assignee: **Restaurant Technology, Inc.**, Oak Brook, Ill.

Design 314, Feb. 1975, p. 55.
Euro-Matic Ltd. 1989, as shown.
Maxico Forge 16-1984, p. 49, as shown.

[**] Term: **14 Years**

Primary Examiner—Prabhakar G. Deshmukh
Attorney, Agent, or Firm—Jenner & Block

[21] Appl. No.: **834,506**

[57] CLAIM

[22] Filed: **Feb. 11, 1992**

The ornamental design for a combined slide and play enclosure, as shown.

[52] U.S. Cl. **D21/244**

[58] Field of Search 472/48, 92, 116, 117,
472/126, 134, 136, 137; 446/70, 168, 220, 221,
106, 110, 476; D21/240-252

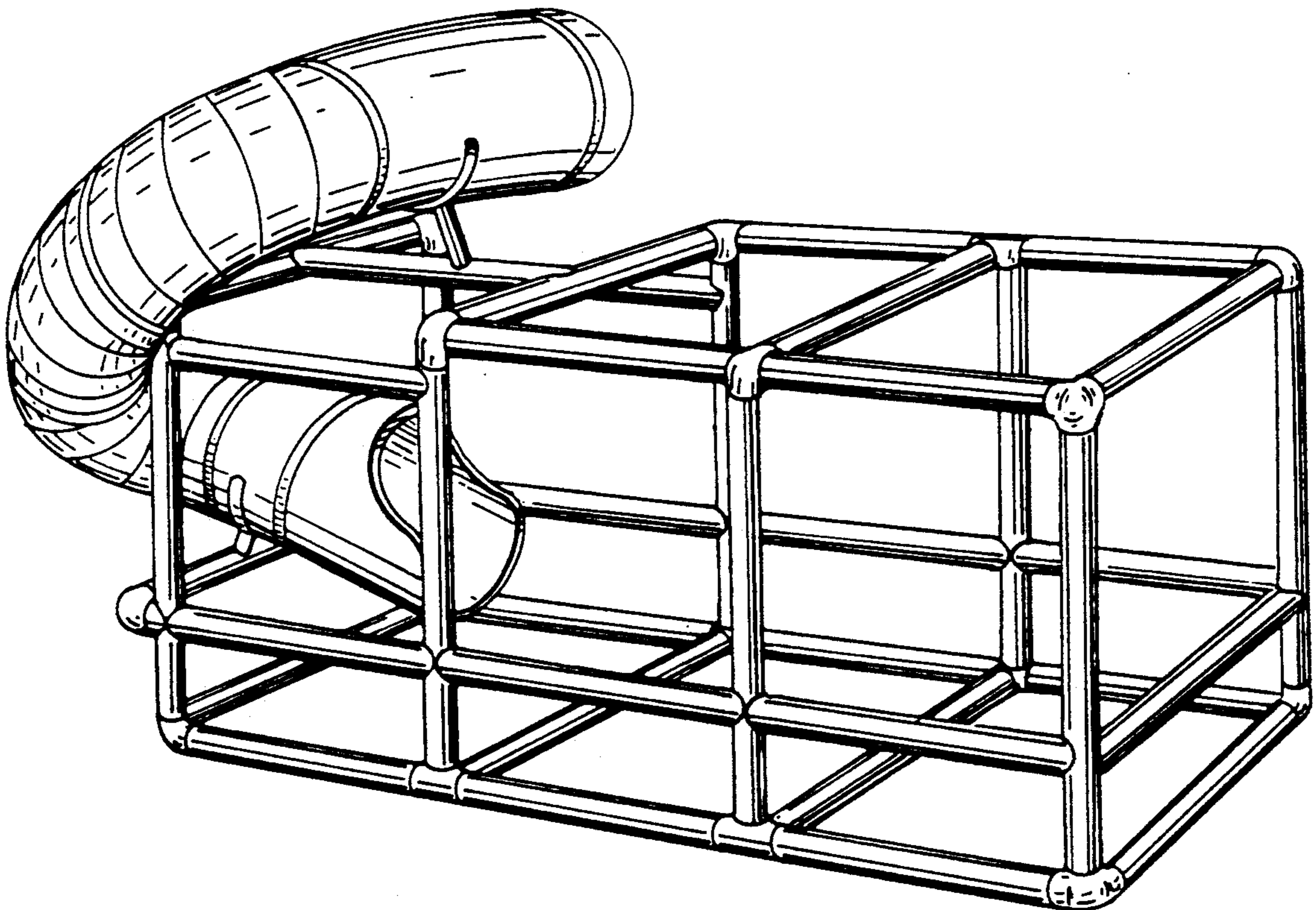
DESCRIPTION

[56] References Cited

U.S. PATENT DOCUMENTS

D. 251,132 2/1979 Reverchon D21/242 X
D. 328,119 7/1992 Matsch D21/244
D. 330,741 11/1992 Matsch D21/242

FIG. 1 is a perspective view of a combined slide and play enclosure showing my new design; FIG. 2 is a left side elevation thereof; FIG. 3 is a top plan view thereof; FIG. 4 is a front elevation view thereof; FIG. 5 is a rear elevation view thereof; and, FIG. 6 is a right side elevation thereof.



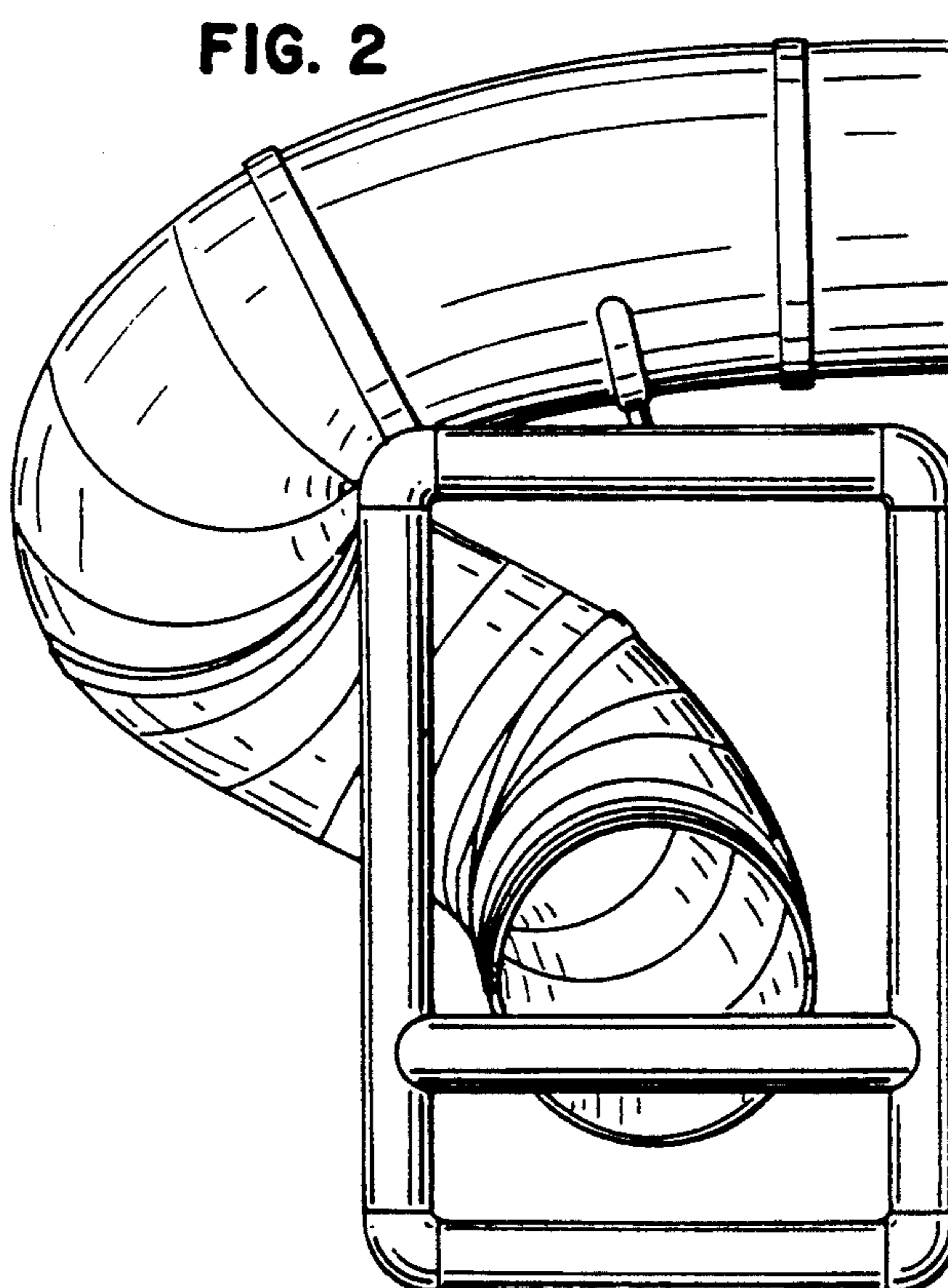
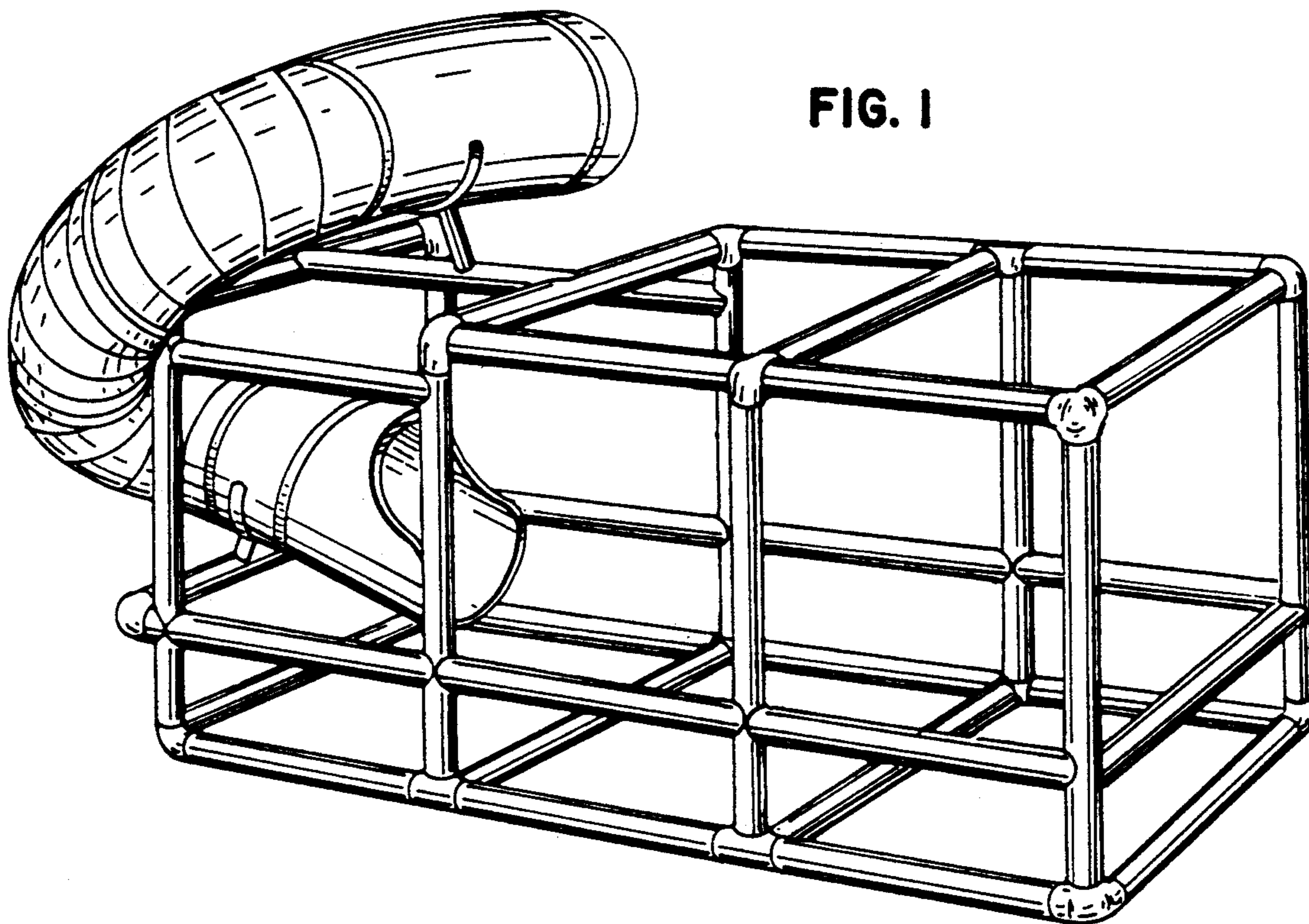


FIG. 3

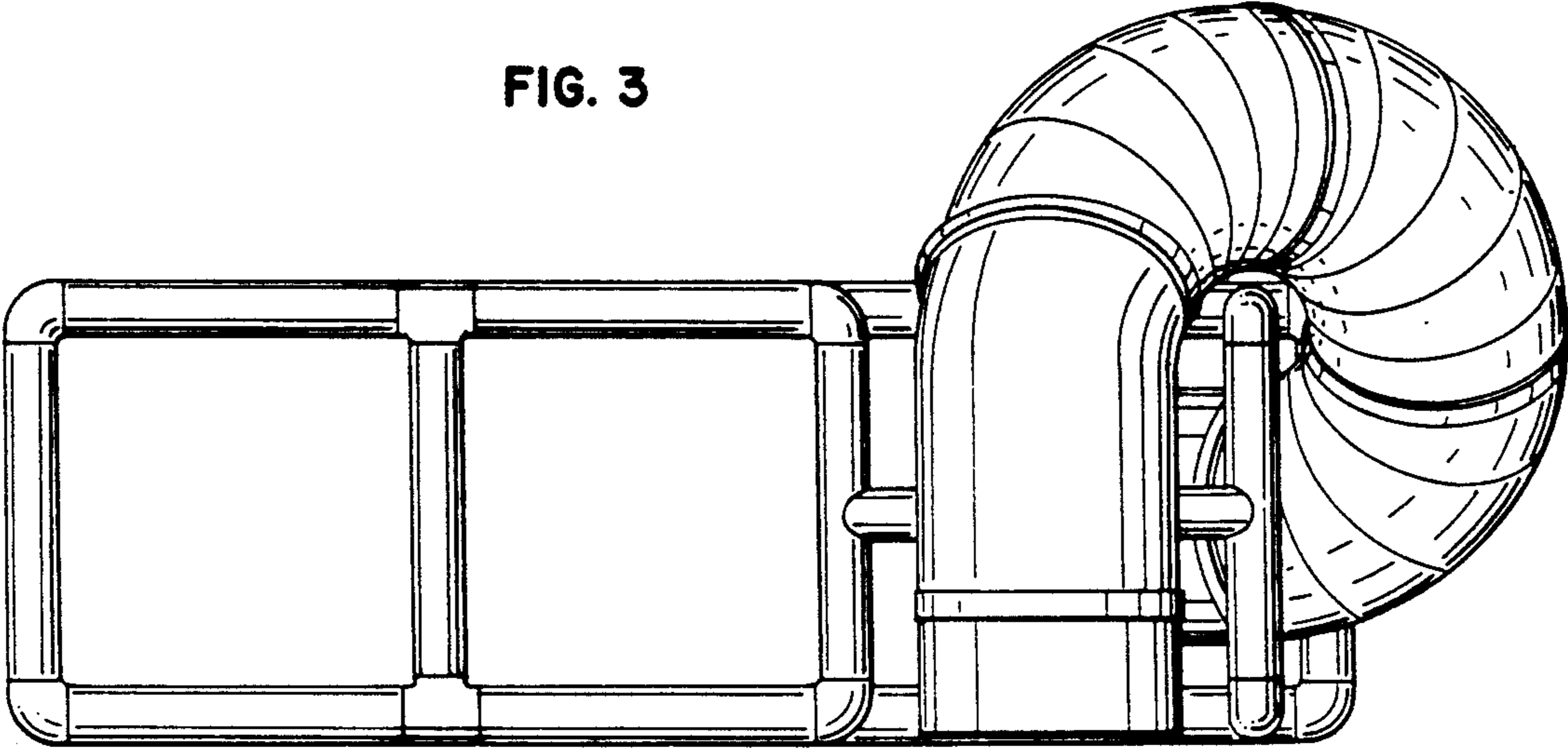
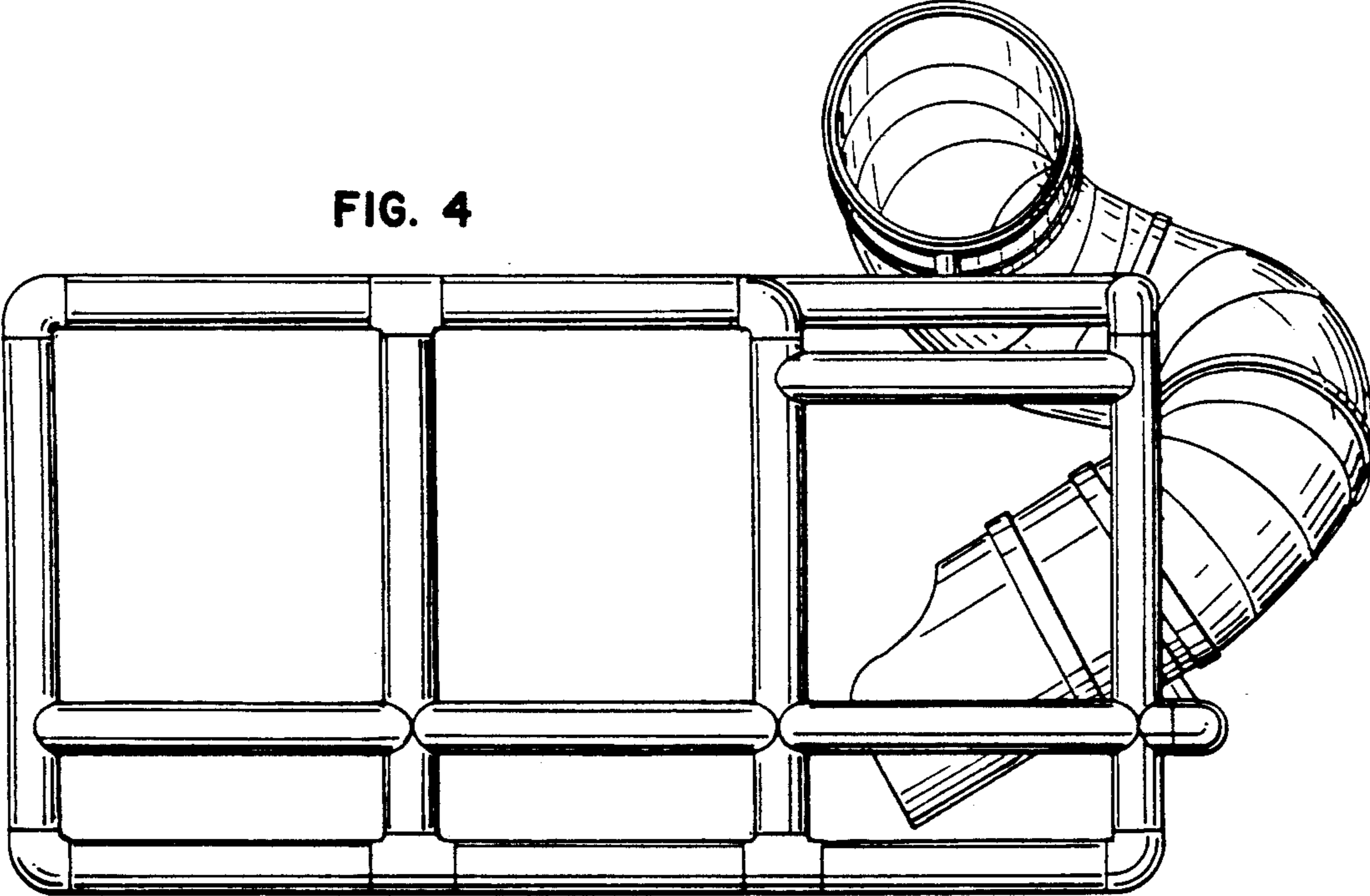


FIG. 4



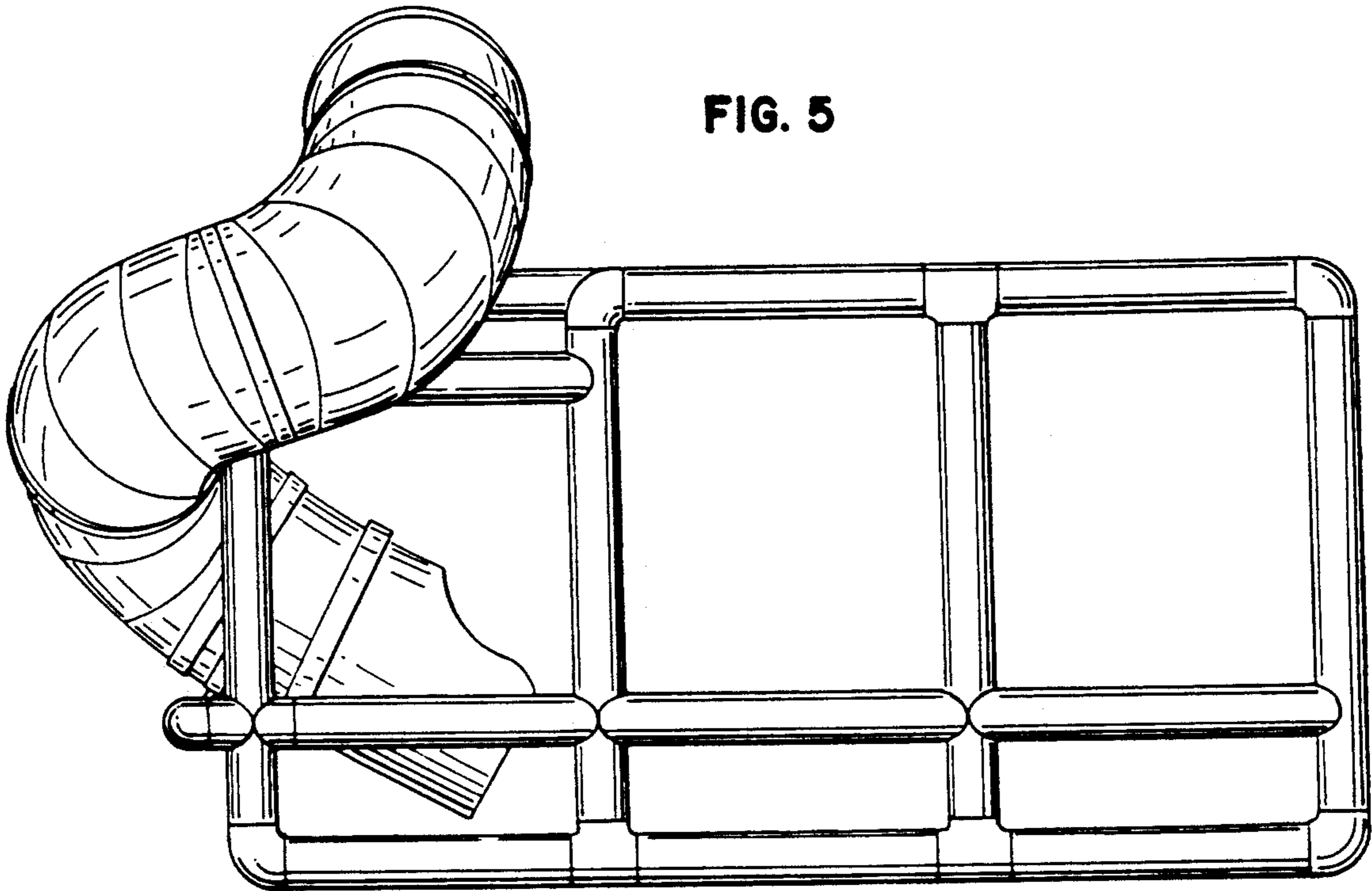


FIG. 5

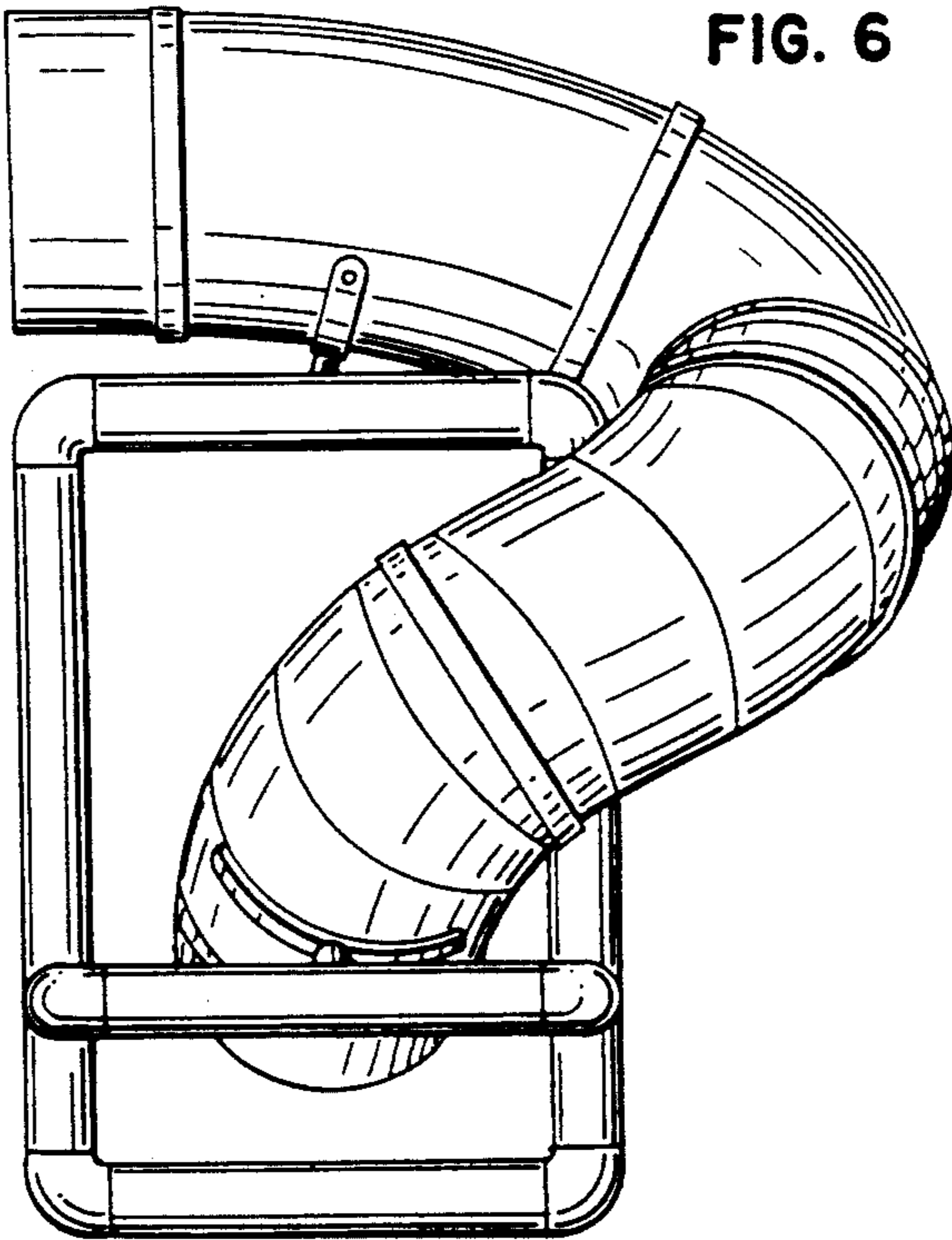


FIG. 6