



US00D344316S

# United States Patent [19]

[11] Patent Number: **Des. 344,316**

Gertler

[45] Date of Patent: **\*\* Feb. 15, 1994**

[54] **ROLLER SKATE**

2,841,405	7/1958	Jones .....	280/11.26
2,927,798	3/1960	Jones .....	280/11.26
4,512,590	4/1985	Stenvall .....	280/11.23
4,909,523	3/1990	Olsen .....	280/11.22

[76] Inventor: **Robert Gertler, 23-10A Cpl.  
Kennedy Ave., Bayside, N.Y. 11360**

[\*\*] Term: **14 Years**

*Primary Examiner*—Bernard Ansher  
*Assistant Examiner*—R. Barkai  
*Attorney, Agent, or Firm*—Jay L. Chaskin

[21] Appl. No.: **703,352**

[22] Filed: **May 21, 1991**

[57] **CLAIM**

[30] **Foreign Application Priority Data**

The ornamental design for a roller skate, as shown and described.

Nov. 28, 1990 [GB] United Kingdom ..... 2011337

[52] U.S. Cl. .... **D21/226**

[58] Field of Search ..... 280/11.19, 11.22, 11.23,  
280/11.26; D21/224, 225, 226

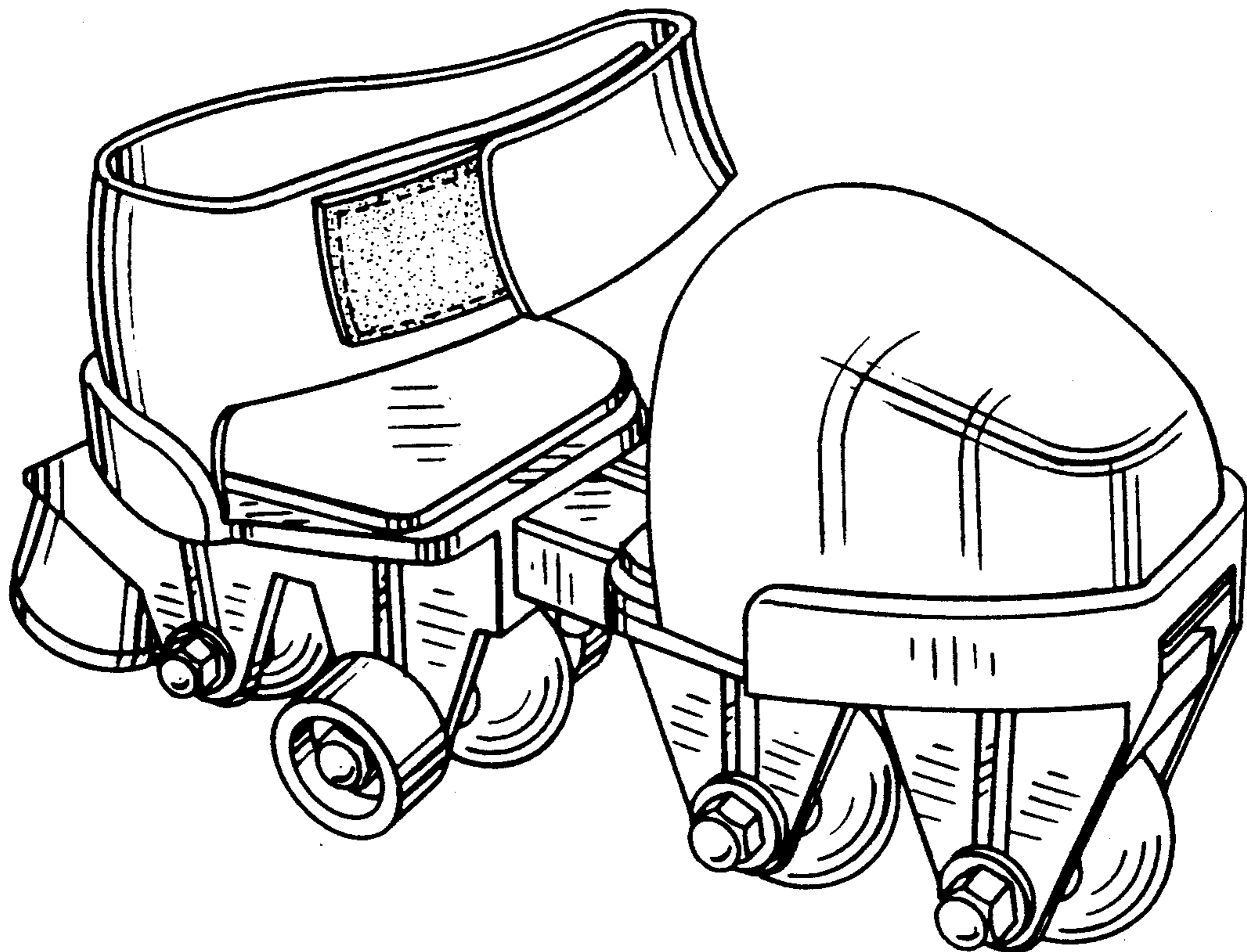
**DESCRIPTION**

[56] **References Cited**

FIG. 1 is a top perspective view of a roller skate showing my new design;  
FIG. 2 is a front elevational view thereof;  
FIG. 3 is a bottom perspective view thereof;  
FIG. 4 is a rear perspective view thereof;  
FIG. 5 is a top plan view thereof;  
FIG. 6 is a bottom plan view thereof;  
FIG. 7 is a right side elevational view thereof; and,  
FIG. 8 is a left side elevational view thereof.

**U.S. PATENT DOCUMENTS**

D. 282,095	1/1986	Robjent .....	D21/226
D. 299,259	1/1989	Vullierme .....	D21/226
D. 315,940	4/1991	Wehmeyer .....	D21/226
954,993	4/1910	Peters .....	D21/226
1,393,813	10/1921	Muck .....	D21/226



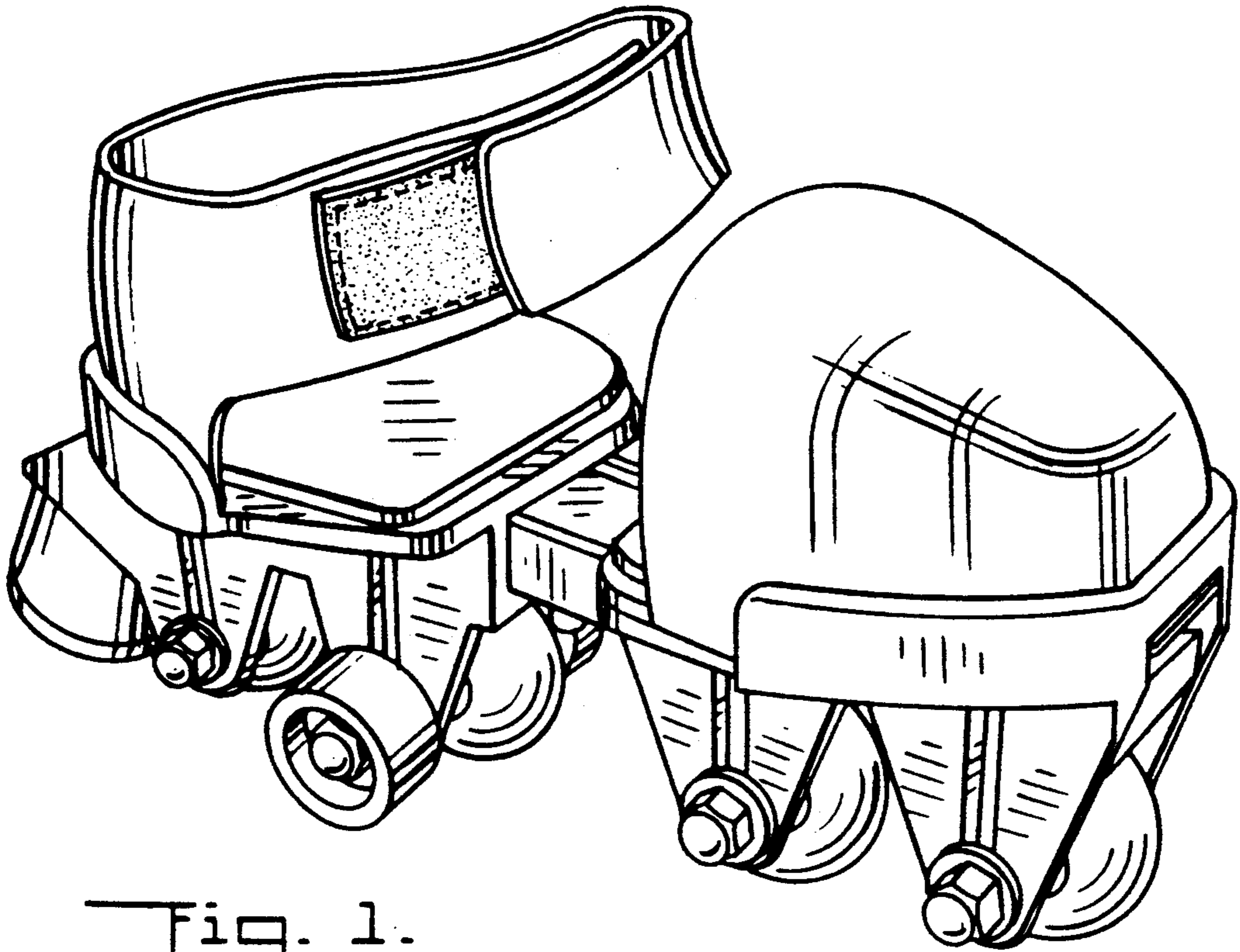


Fig. 1.

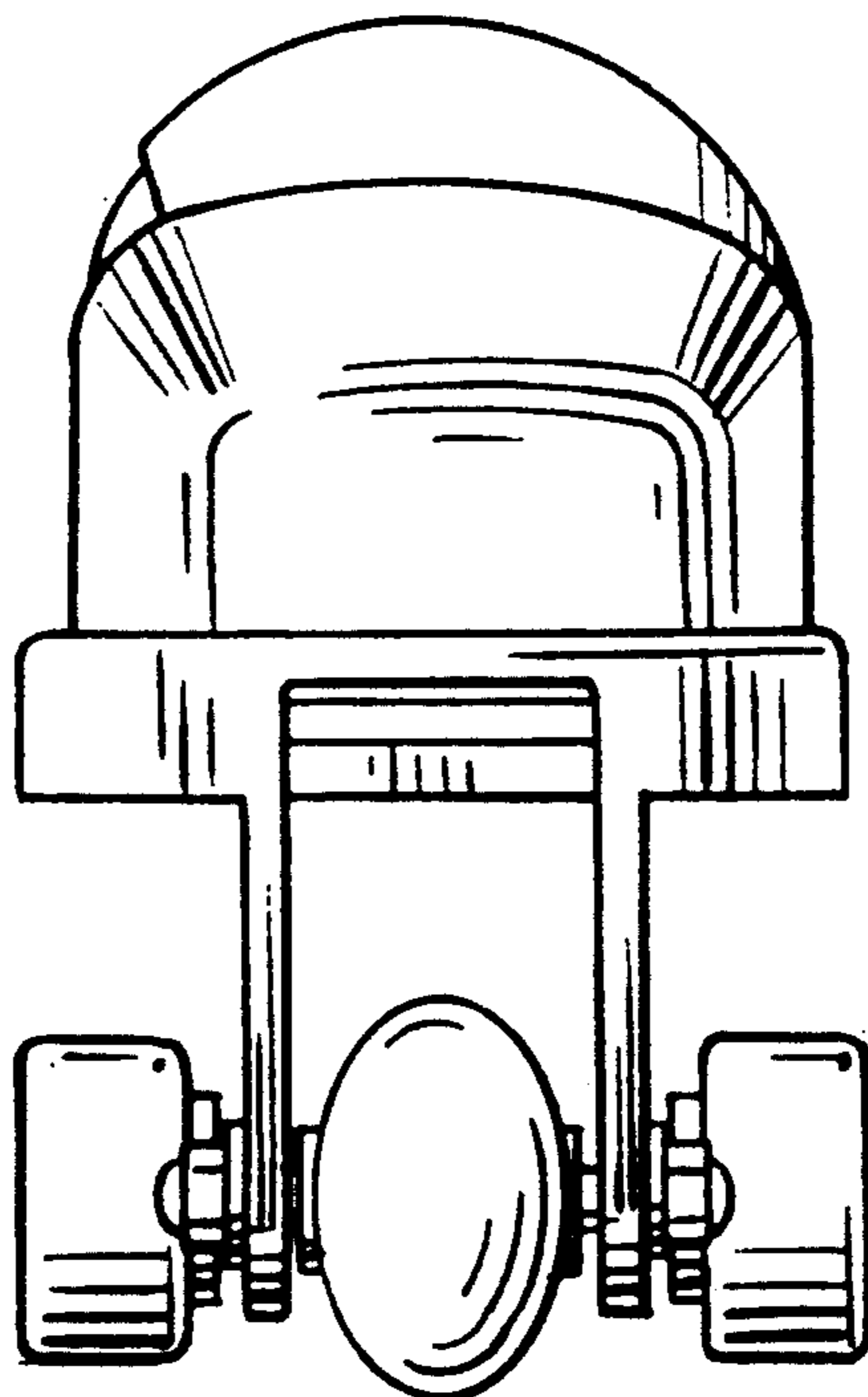


Fig. 2.

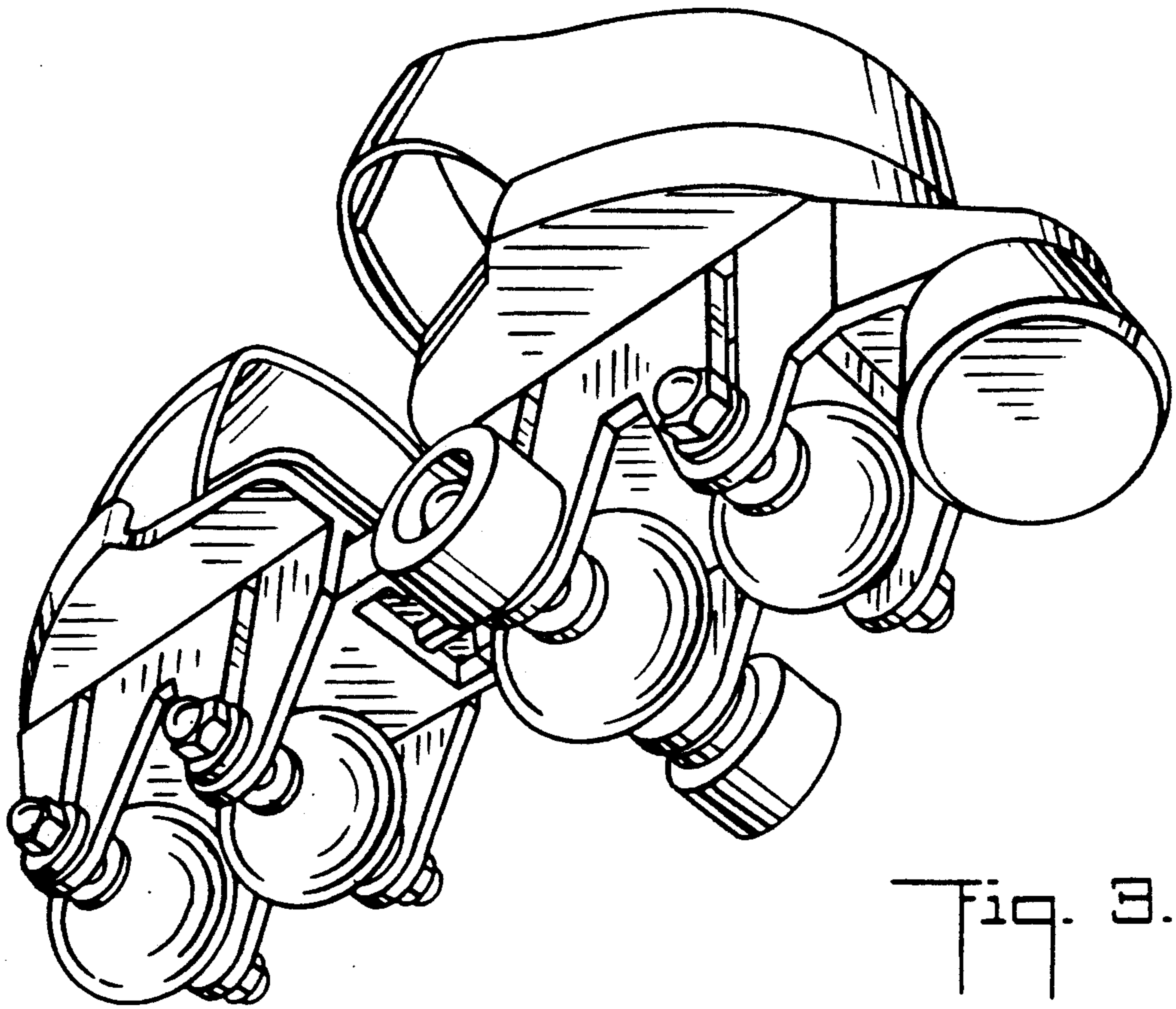


Fig. 3.

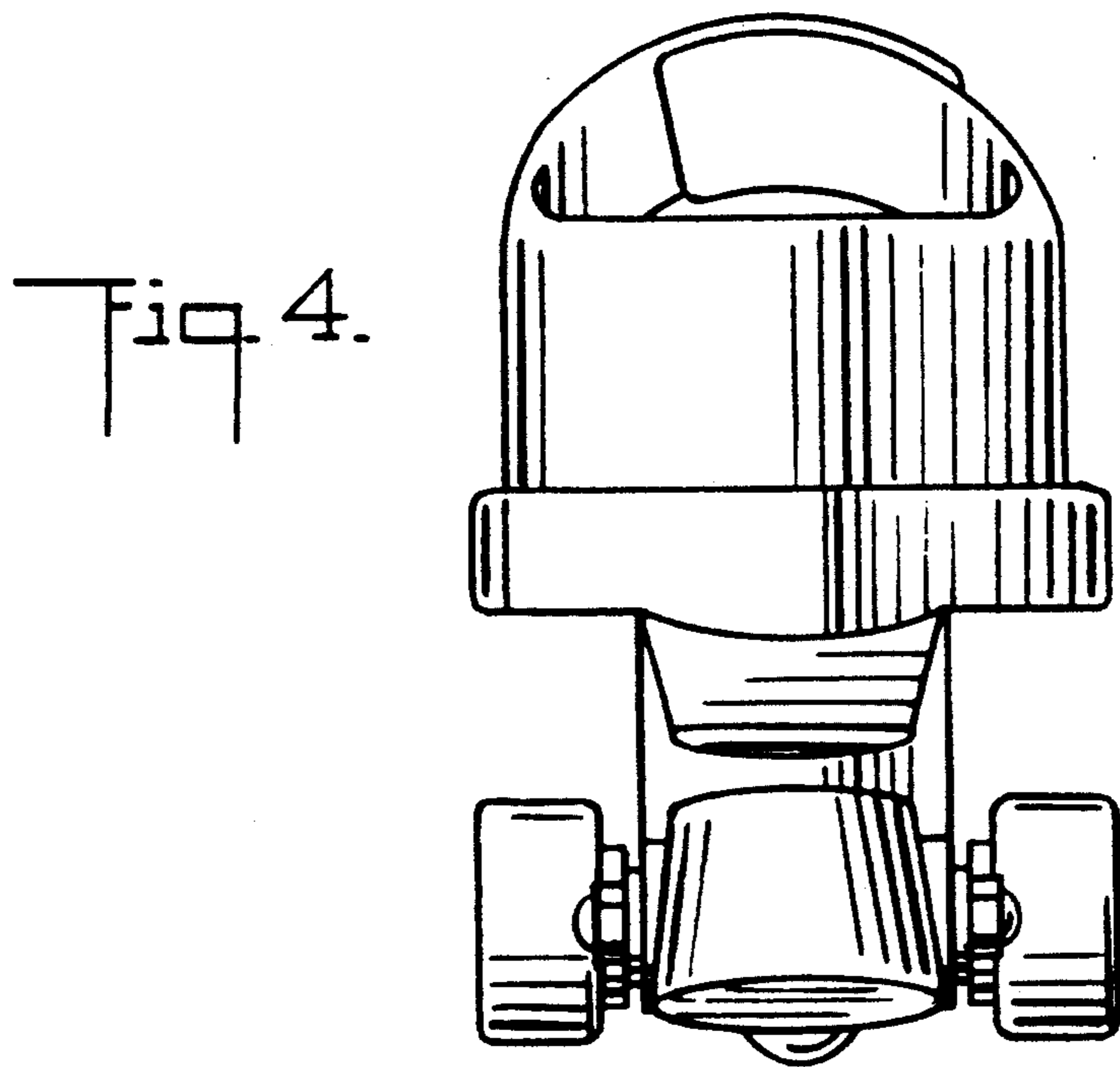


Fig. 4.

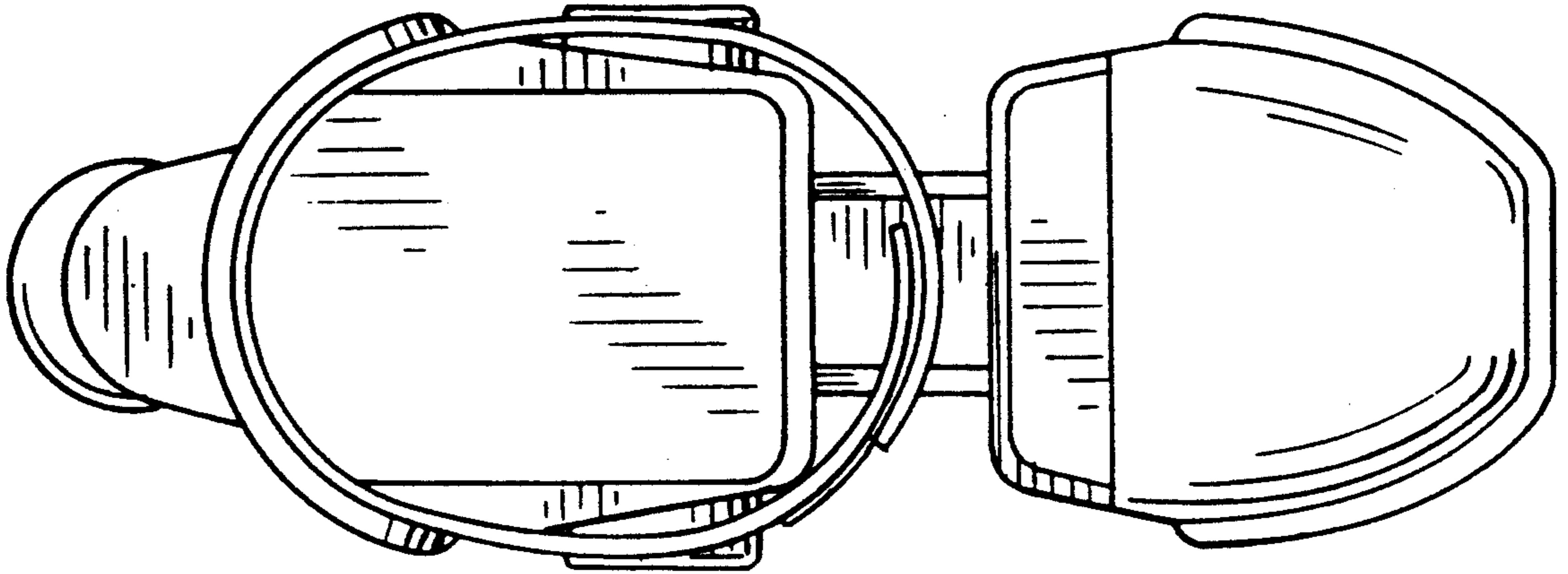


Fig. 5.

Fig. 6.

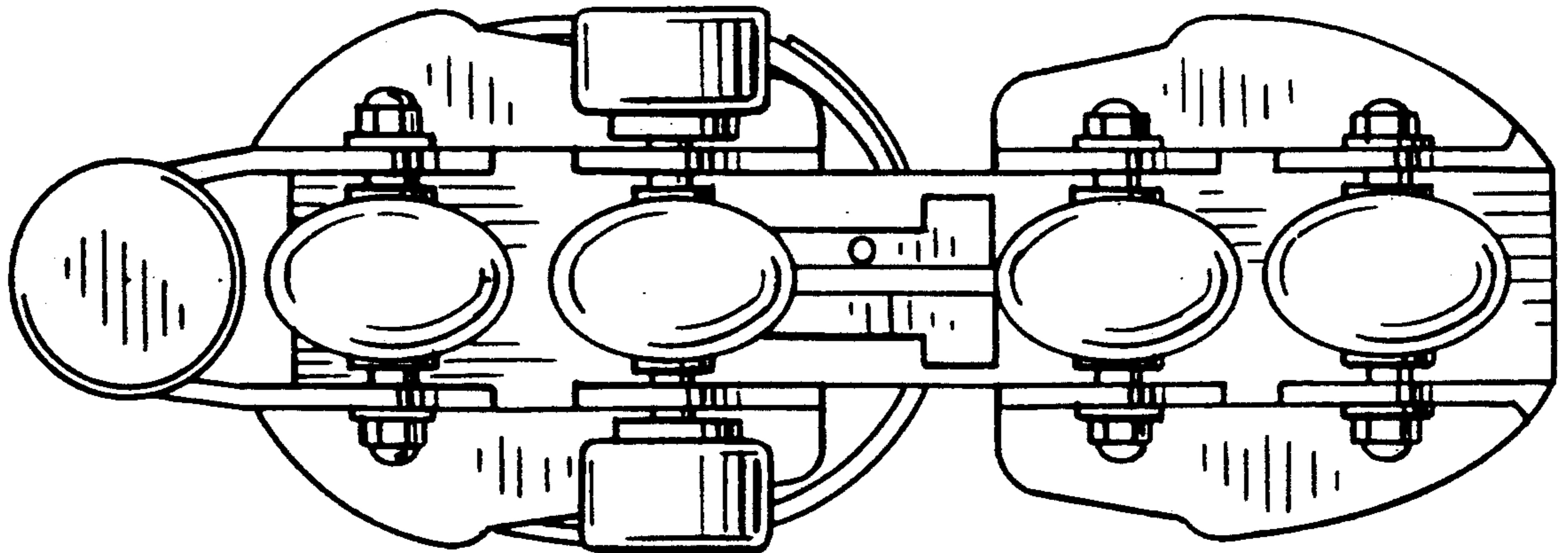


Fig. 7.

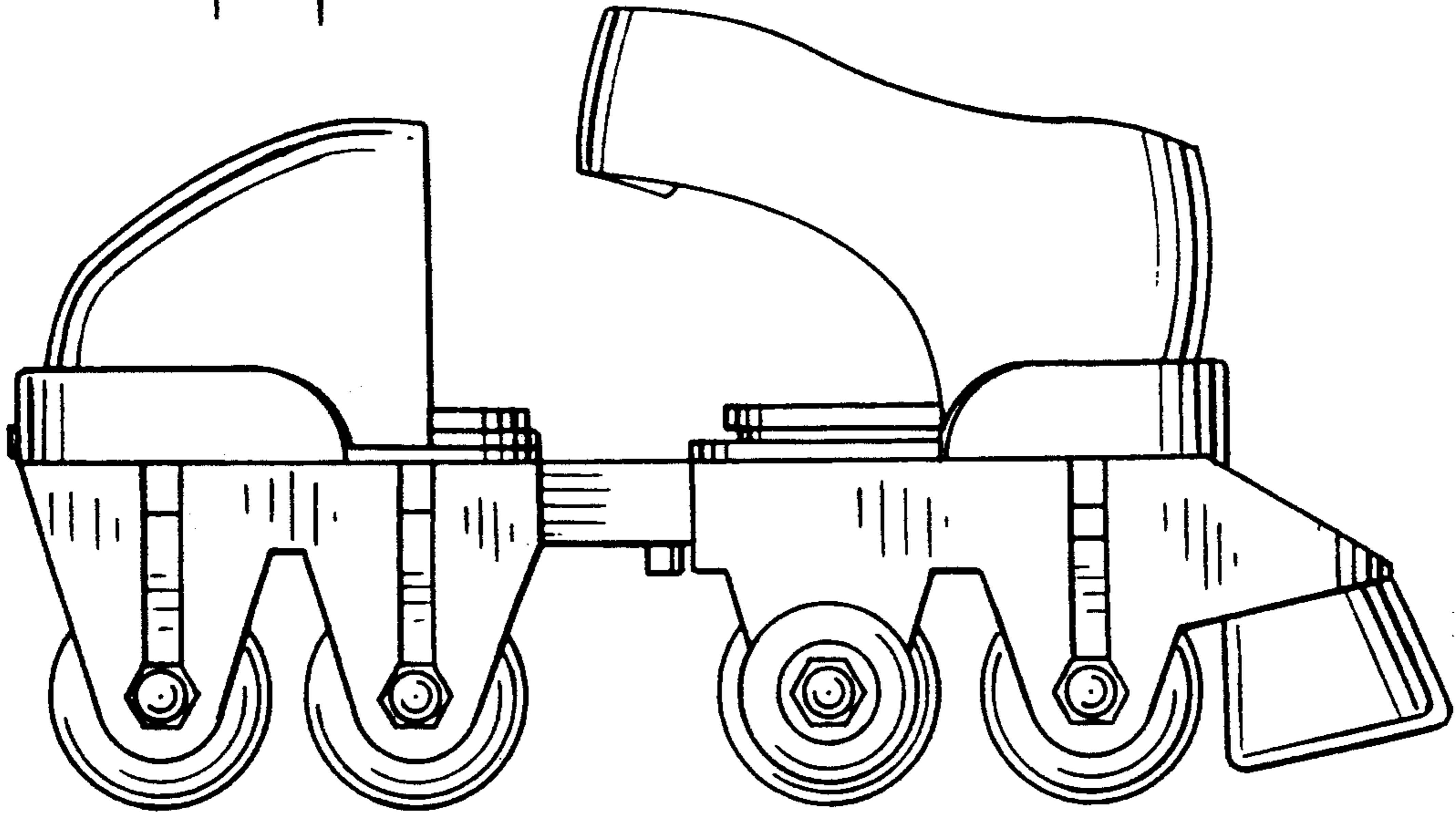


Fig. 8.

