



US00D344311S

United States Patent [19]

[11] Patent Number: **Des. 344,311**

Liu

[45] Date of Patent: **** Feb. 15, 1994**

[54] **WATER RIFLE**

4,630,757 12/1986 Yano 222/79
5,150,819 9/1992 Johnson 222/79

[75] Inventor: **Wong S. Liu, Kowloon, Hong Kong**

[73] Assignee: **Arco Toys, Ltd., Kowloon, Hong Kong**

[**] Term: **14 Years**

[21] Appl. No.: **951,695**

[22] Filed: **Sep. 24, 1992**

[52] U.S. Cl. **D21/147**

[58] Field of Search **446/267, 473; 222/78, 222/79; 239/211, 329, 337, 373; D21/145, 146, 147; D23/225**

OTHER PUBLICATIONS

Hong Kong Toys Feb. 1991 p. 201.
Hong Kong Toys Feb. 1991 p. 222 #891C.

Primary Examiner—Bernard Ansher
Assistant Examiner—R. Barkai
Attorney, Agent, or Firm—Abelman Frayne & Schwab

[57] CLAIM

The ornamental design for a water rifle, as shown and described.

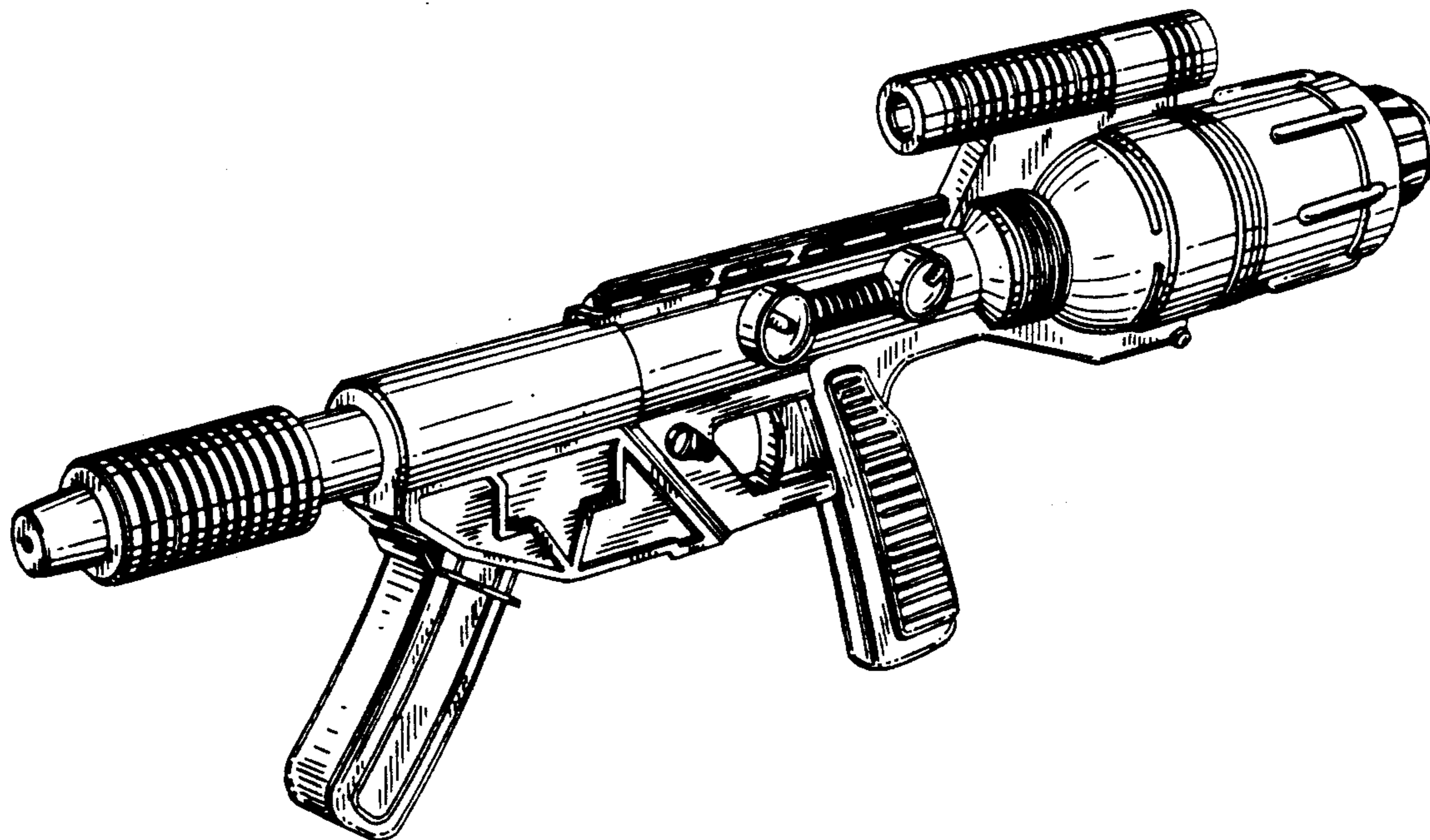
DESCRIPTION

FIG. 1 is a top, front, right side perspective view;
FIG. 2 is a left side view thereof;
FIG. 3 is a top plan view thereof;
FIG. 4 is a right side view thereof;
FIG. 5 is a front view thereof;
FIG. 6 is a rear view thereof; and,
FIG. 7 is a bottom view thereof.

[56] References Cited

U.S. PATENT DOCUMENTS

D. 260,667	9/1981	McAlpin	D21/147
D. 283,525	4/1986	Yano	D21/147
D. 295,058	4/1988	Turner, Jr.	D21/146
D. 318,309	7/1991	D'Andrade	D21/147
2,938,512	5/1960	Smolen	222/79



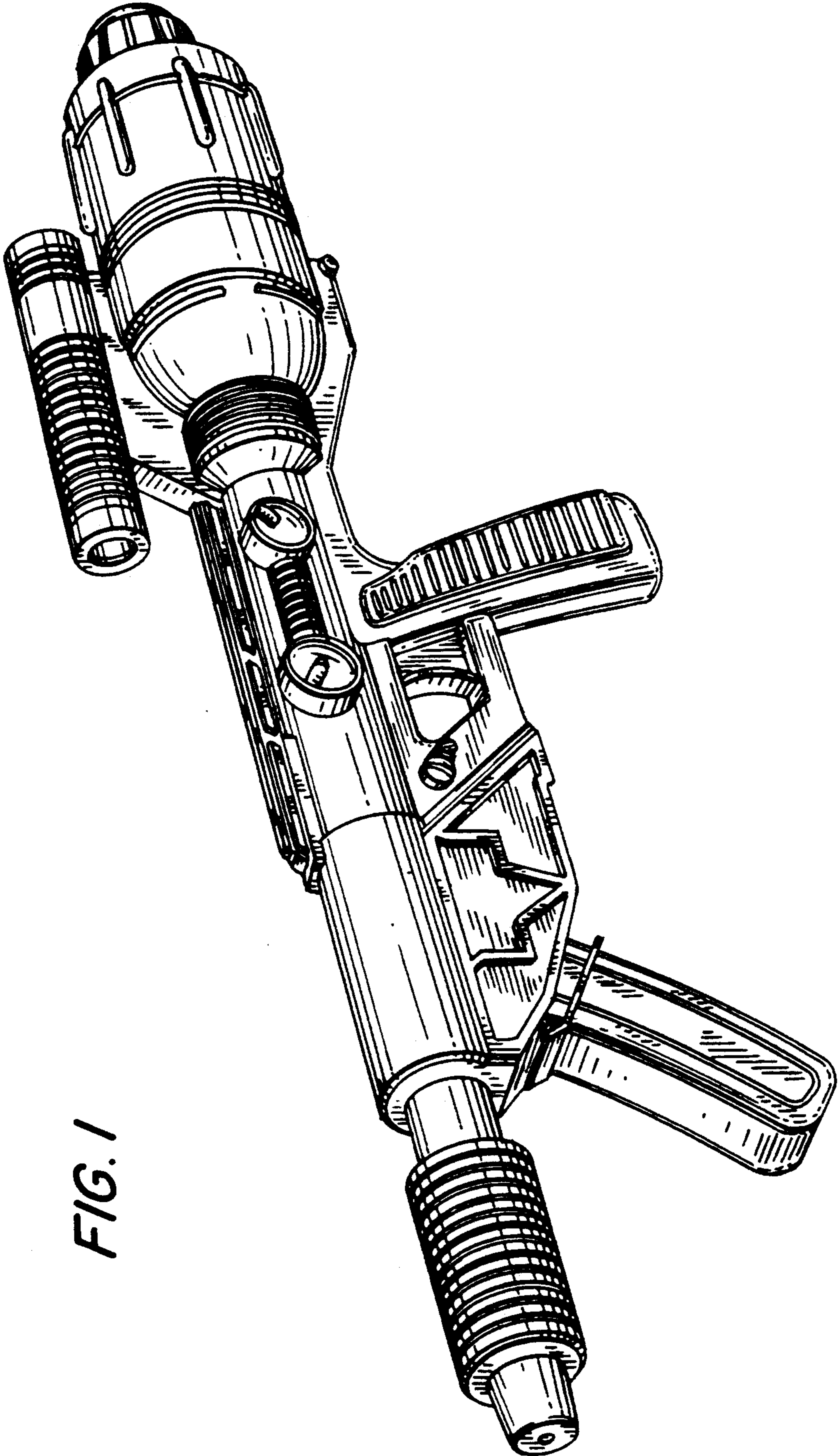


FIG. 1

FIG. 2

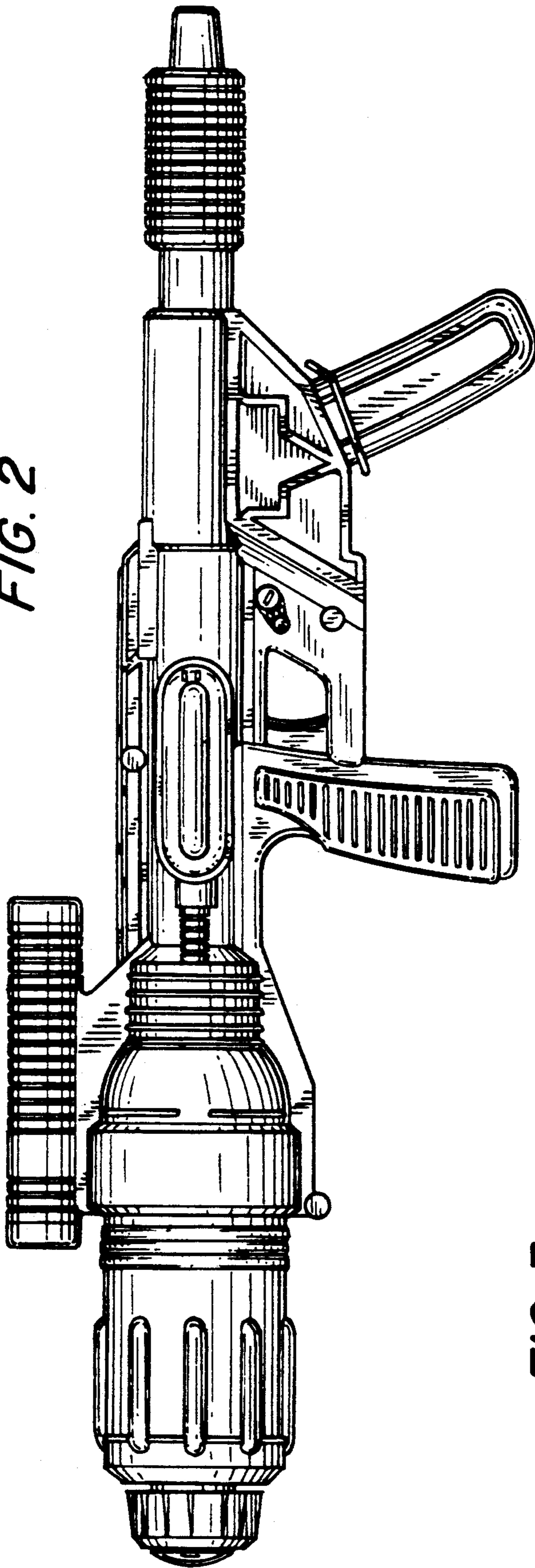
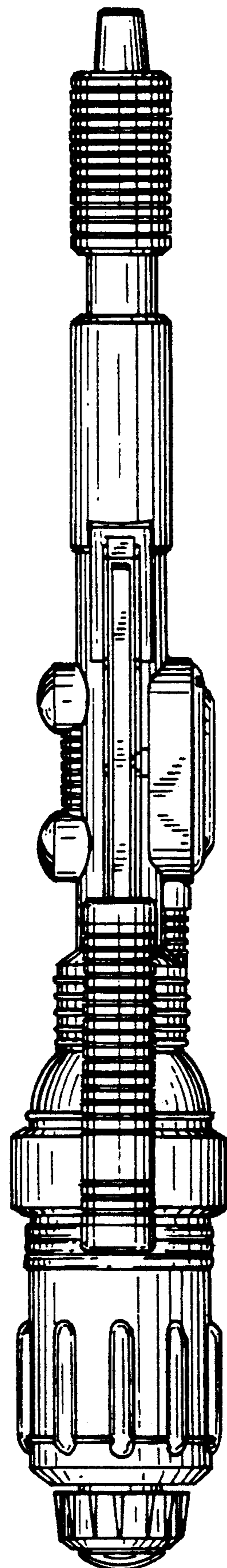


FIG. 3



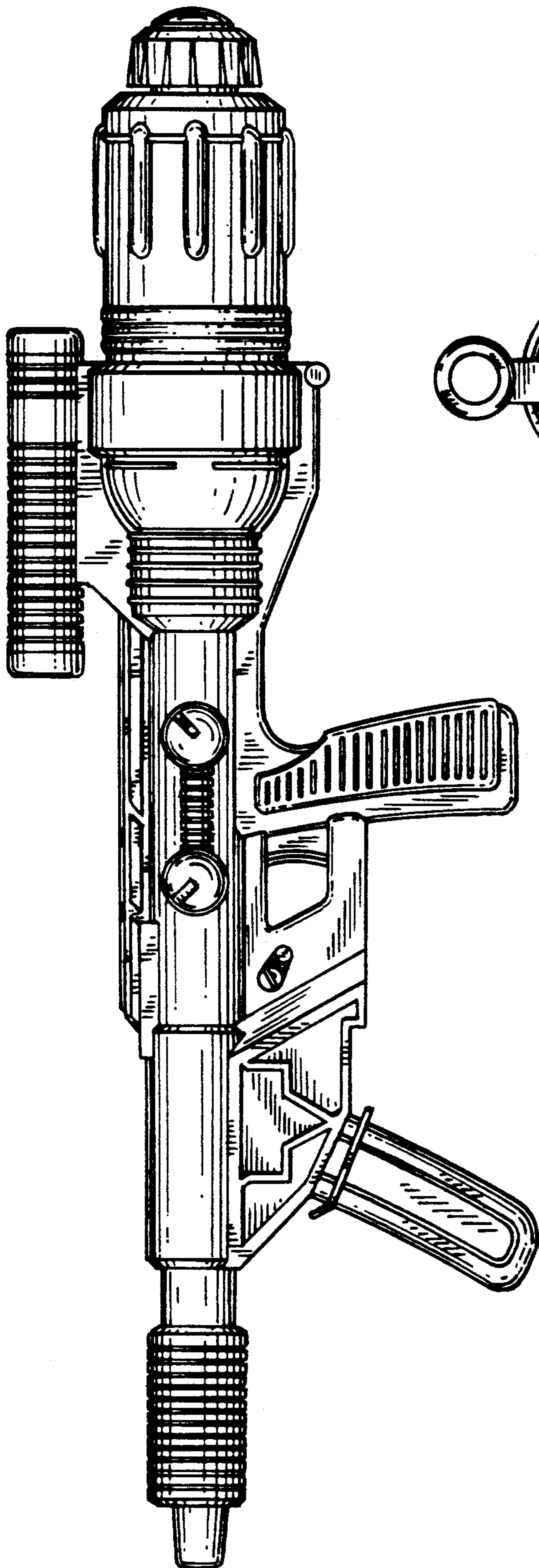


FIG. 4

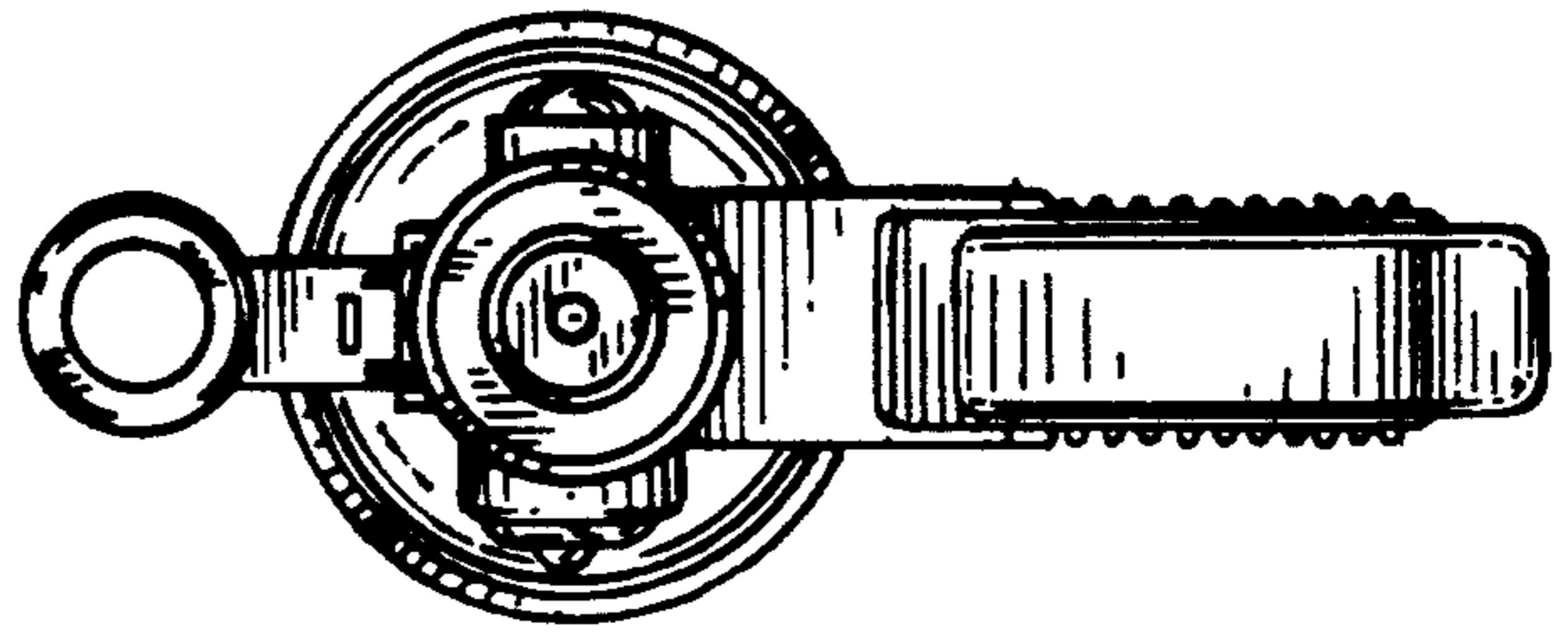


FIG. 5

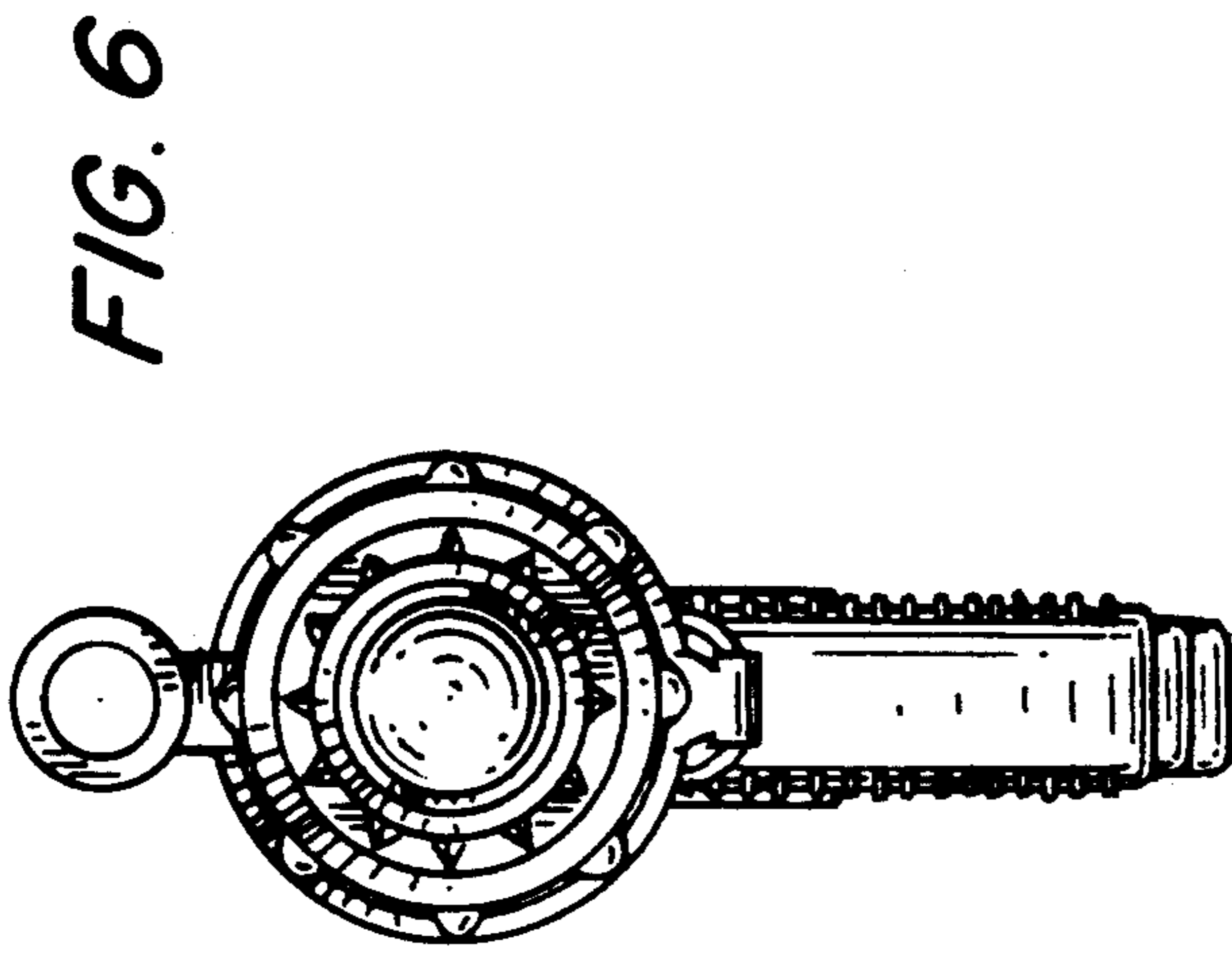


FIG. 7

