



US00D344310S

United States Patent [19]

[11] Patent Number: **Des. 344,310**

Ruszkai

[45] Date of Patent: **** Feb. 15, 1994**

[54] RAIL ELEMENT FOR A TOY TRAIN SET

4,979,926 12/1990 Bisceglia 446/476

[75] Inventor: **Ede F. Ruszkai**, Kobenhavn, Denmark

OTHER PUBLICATIONS

Hong Kong Toys Feb. 1991 p. 125.

[73] Assignee: **Interlego A.G.**, Baar, Switzerland

Primary Examiner—Bernard Ansher

[**] Term: **14 Years**

Assistant Examiner—R. Barkai

[21] Appl. No.: **1,916**

Attorney, Agent, or Firm—Kane, Dalsimer, Sullivan, Kurucz, Levy, Eisele and Richard

[22] Filed: **Nov. 24, 1992**

[57] **CLAIM**

[52] U.S. Cl. **D21/143; D21/108**

The ornamental design for a rail element for a toy train set, as shown and described.

[58] Field of Search **446/444, 445, 476; 238/10 E; D21/108, 143**

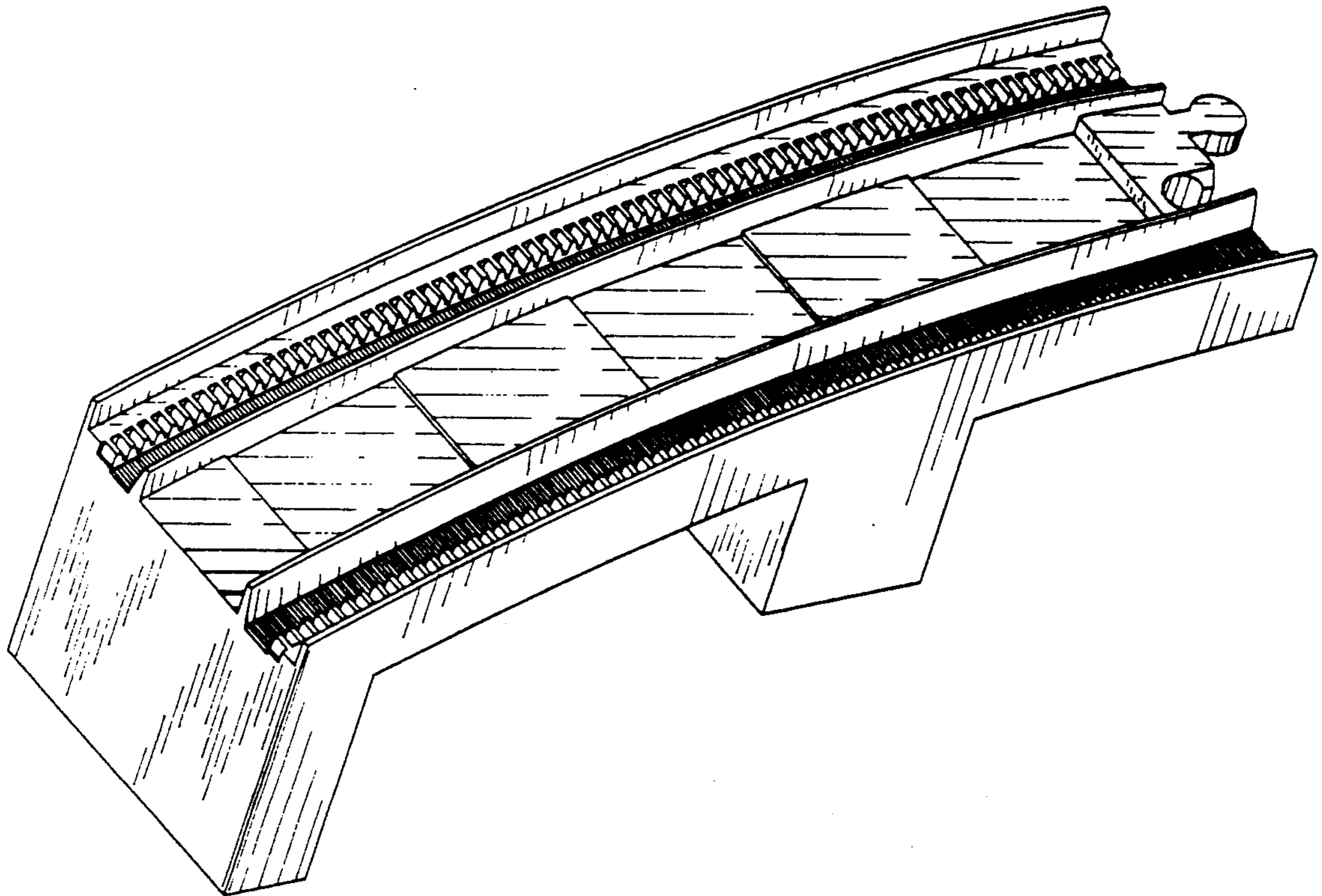
DESCRIPTION

[56] **References Cited**

U.S. PATENT DOCUMENTS

D. 195,679	7/1963	Genin	D21/143
D. 305,676	1/1990	Ngai	D21/143
D. 315,380	3/1991	Ueyama	D21/143
2,992,598	7/1961	Einfalt	446/444
3,559,334	2/1971	Beny	446/445
3,562,950	2/1971	Genin	446/444

FIG. 1 is a top perspective view of the rail element for a toy train set showing my new design; FIG. 2 is a right side elevational view thereof; FIG. 3 is a front elevational view thereof; FIG. 4 is a left side elevational view thereof; FIG. 5 is a rear elevational view thereof; FIG. 6 is a top plan view thereof; and, FIG. 7 is a bottom plan view thereof.



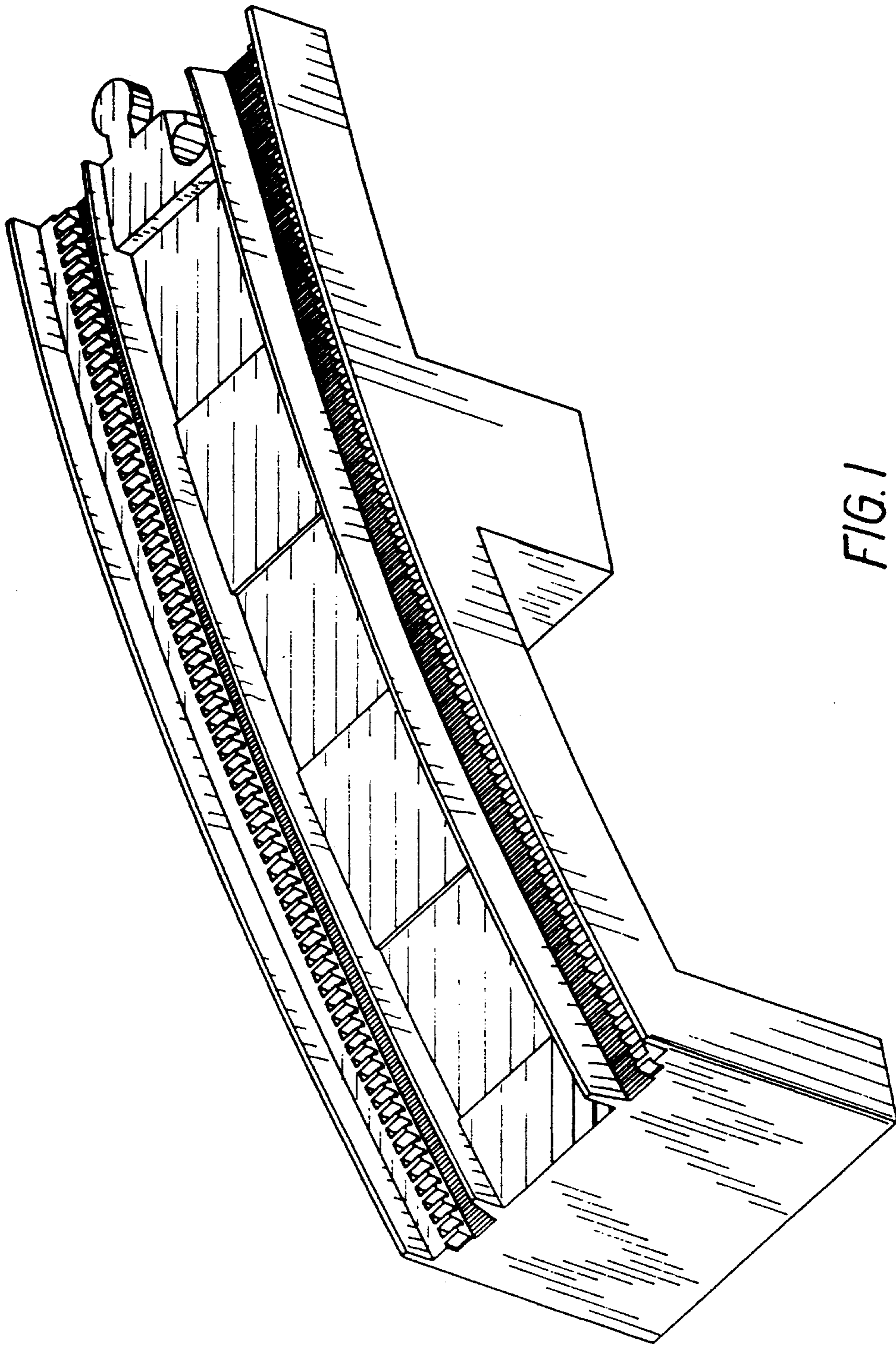


FIG. 1

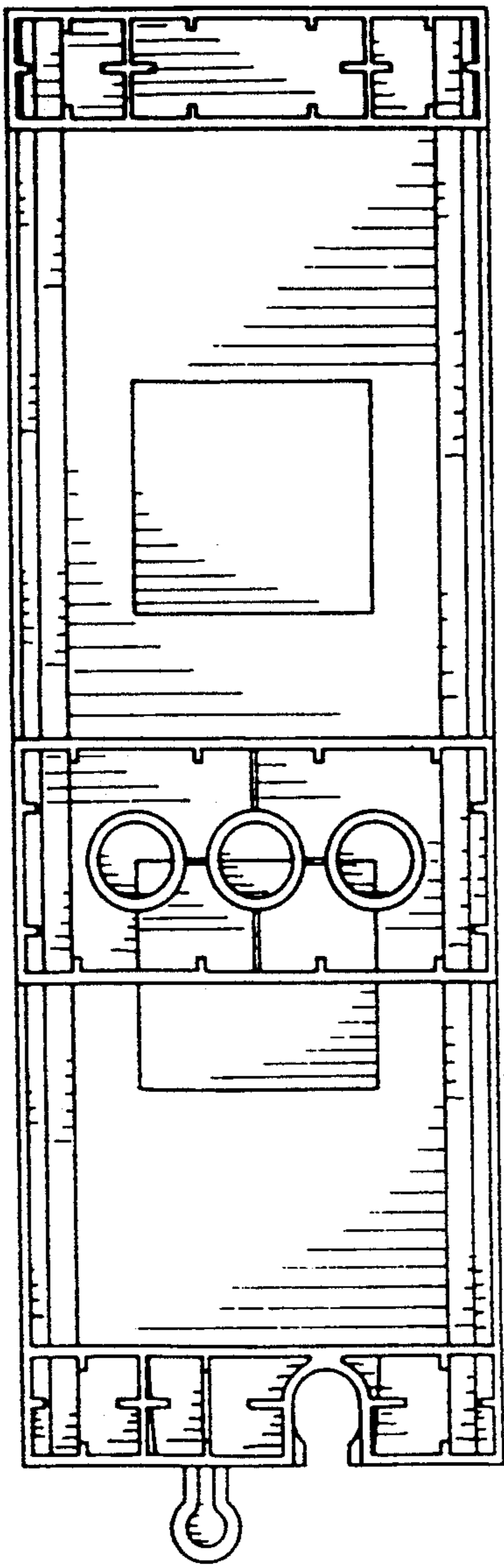


FIG. 7

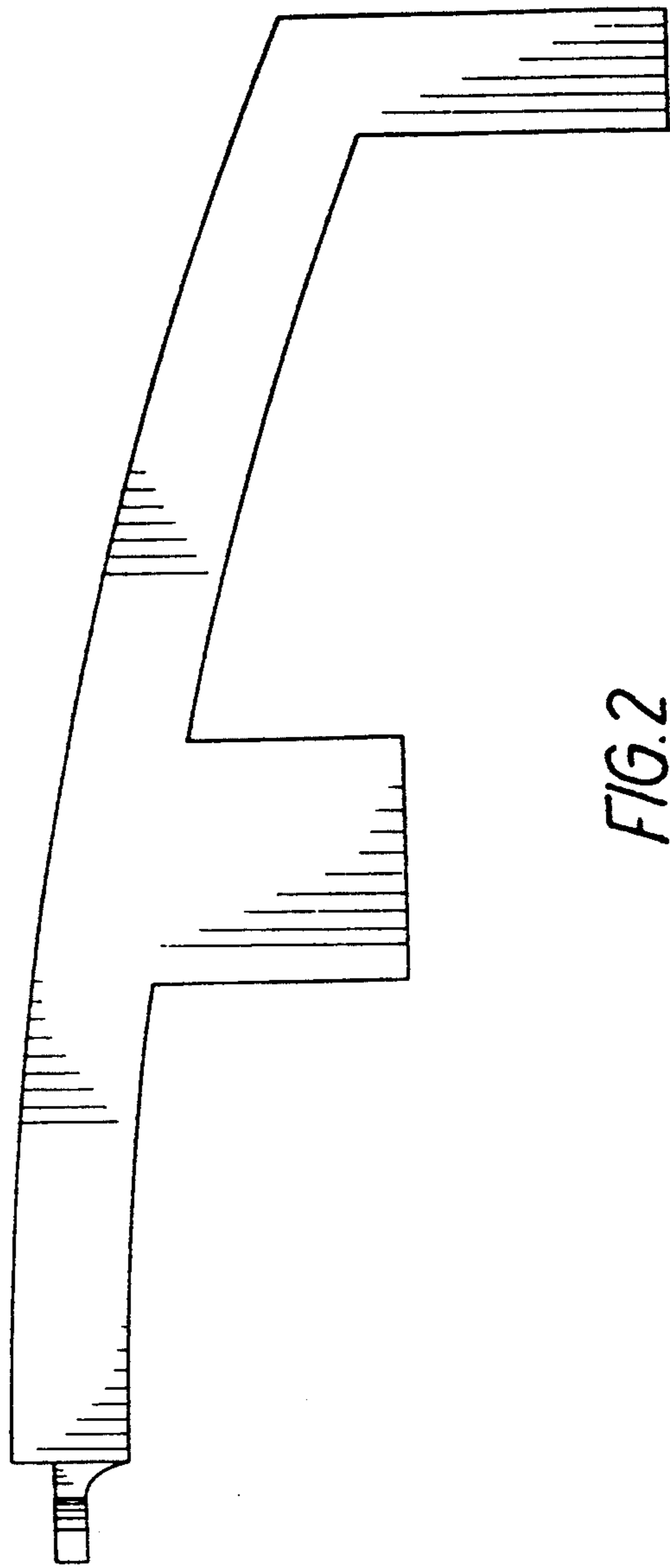


FIG. 2

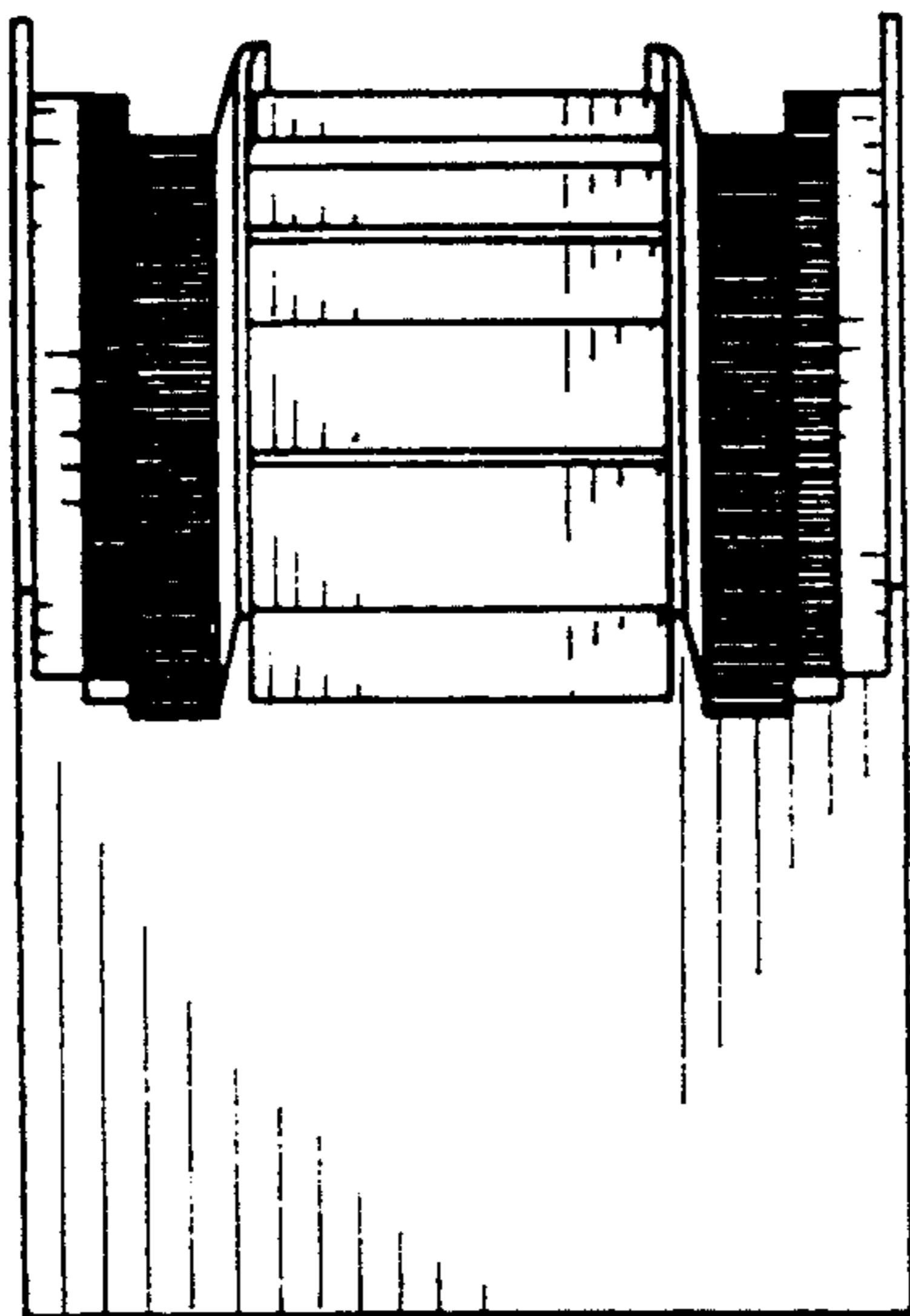


FIG. 3

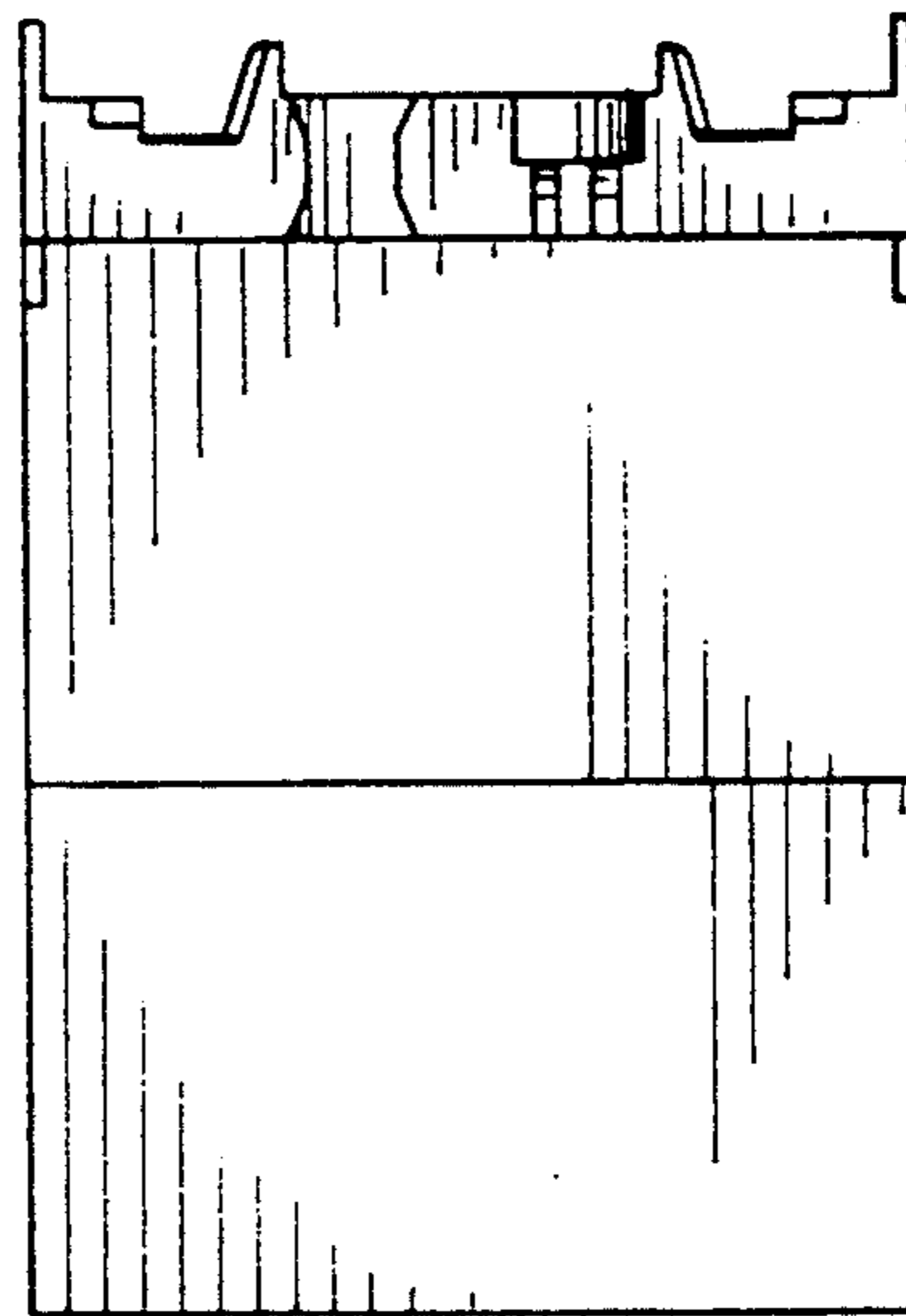


FIG. 5

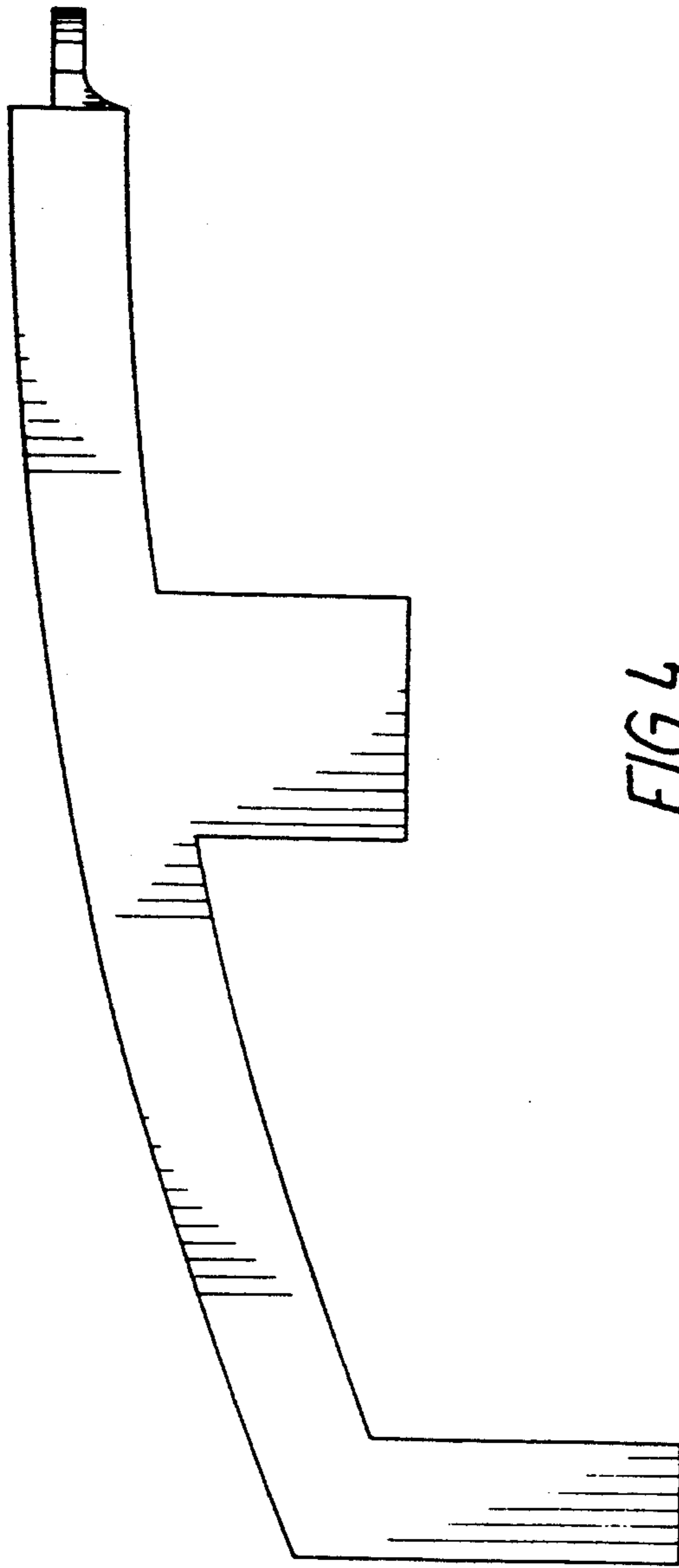


FIG. 4

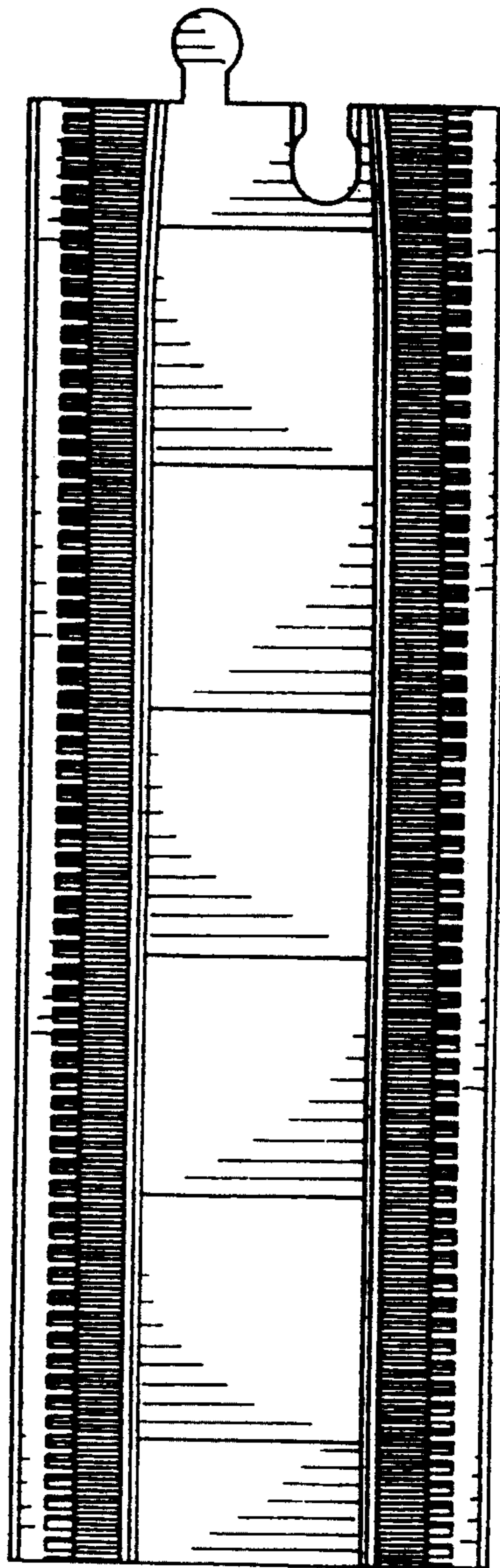


FIG. 6