



US00D344308S

United States Patent [19]

[11] Patent Number: Des. 344,308

Ruszkai

[45] Date of Patent: ** Feb. 15, 1994

[54] SWITCH FOR A TOY TRAIN SET

2,992,598	7/1961	Einfalt	446/444
3,564,236	2/1971	Ernst	238/10 E
4,948,073	8/1990	Edwards	238/10 E

[75] Inventor: Ede F. Ruszkai, Copenhagen, Denmark

[73] Assignee: Interlego A.G., Baar, Switzerland

[**] Term: 14 Years

[21] Appl. No.: 1,809

[22] Filed: Nov. 24, 1992

[52] U.S. Cl. D21/143; D21/108

[58] Field of Search 446/444, 445, 476; 238/10 E; D21/108, 143

Primary Examiner—Bernard Ansher
Assistant Examiner—R. Barkai
Attorney, Agent, or Firm—Kane, Dalsimer, Sullivan, Kurucz, Levy, Eisele and Richard

[57] CLAIM

The ornamental design for a switch for a toy train set, as shown and described.

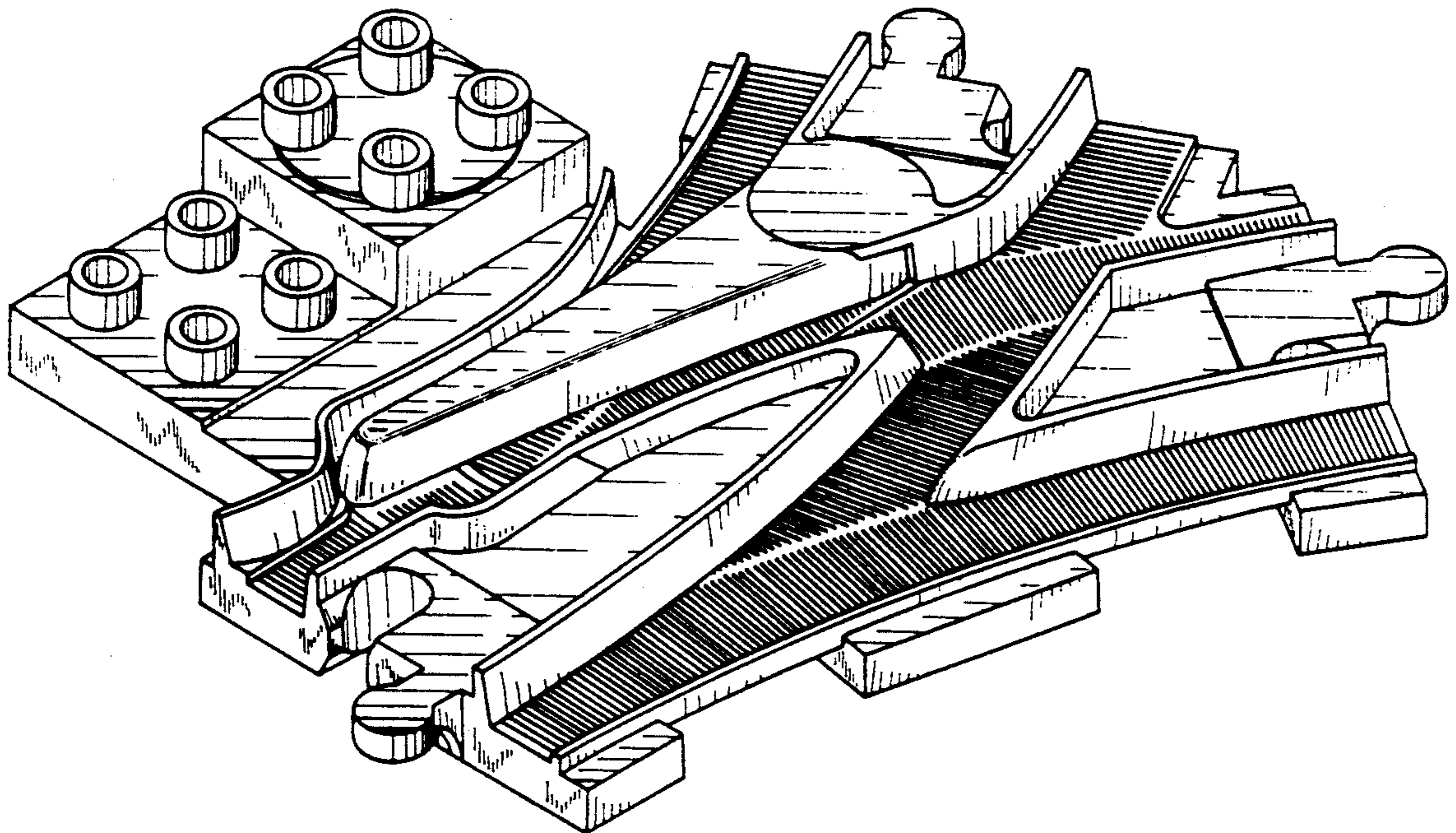
DESCRIPTION

FIG. 1 is a top perspective view of the switch for a toy train set showing my new design;
FIG. 2 is a right side elevational view thereof;
FIG. 3 is a front elevational view thereof;
FIG. 4 is a left side elevational view thereof;
FIG. 5 is a rear elevational view thereof;
FIG. 6 is a top plan view thereof; and,
FIG. 7 is a bottom plan view thereof.

[56] References Cited

U.S. PATENT DOCUMENTS

D. 280,919	10/1985	Petersson	D21/143
D. 296,805	7/1988	Mikkelsen	D21/108
D. 303,693	9/1989	Petersson	D21/143
D. 326,880	6/1992	Larsen	D21/143



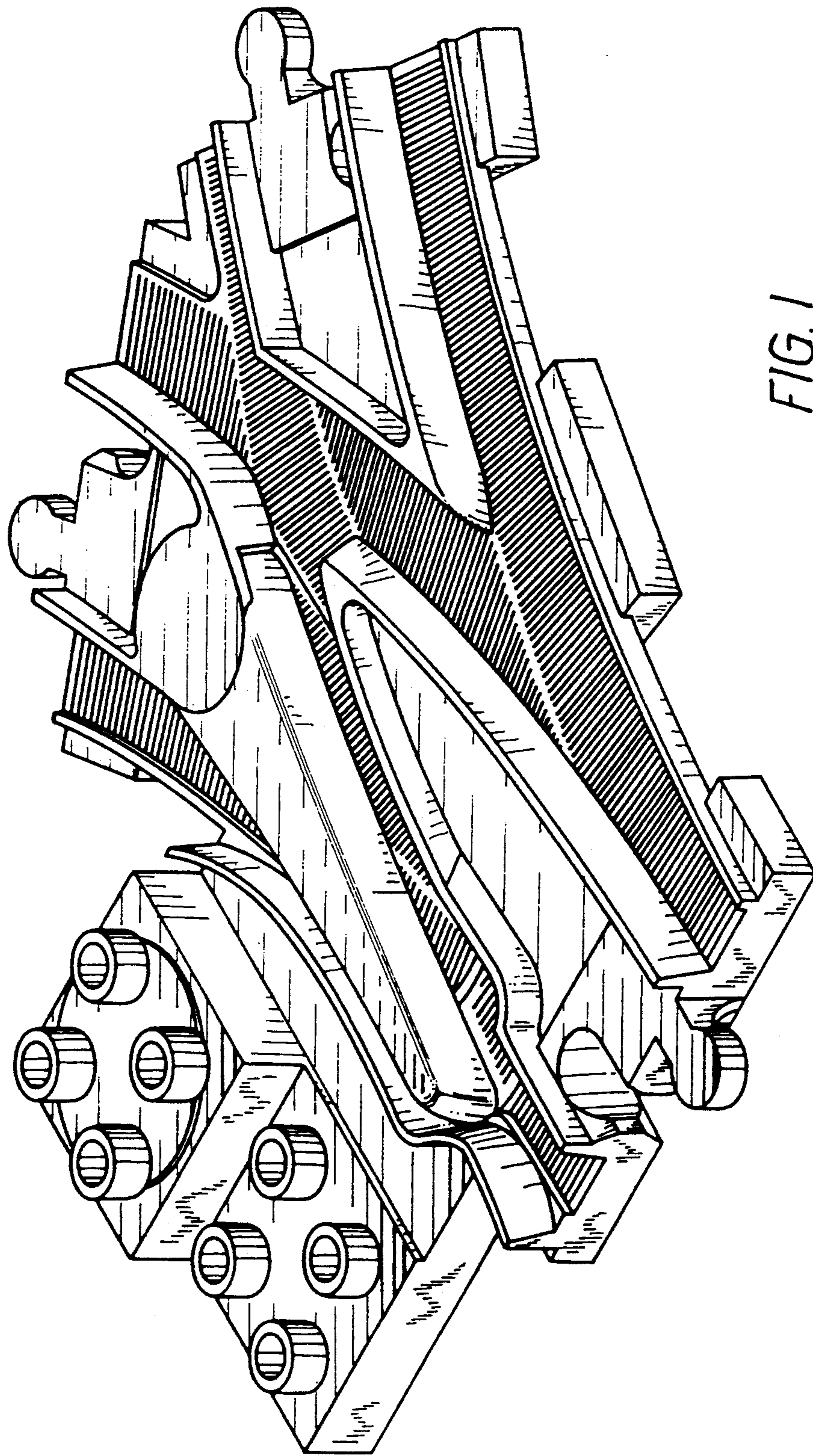


FIG. 1

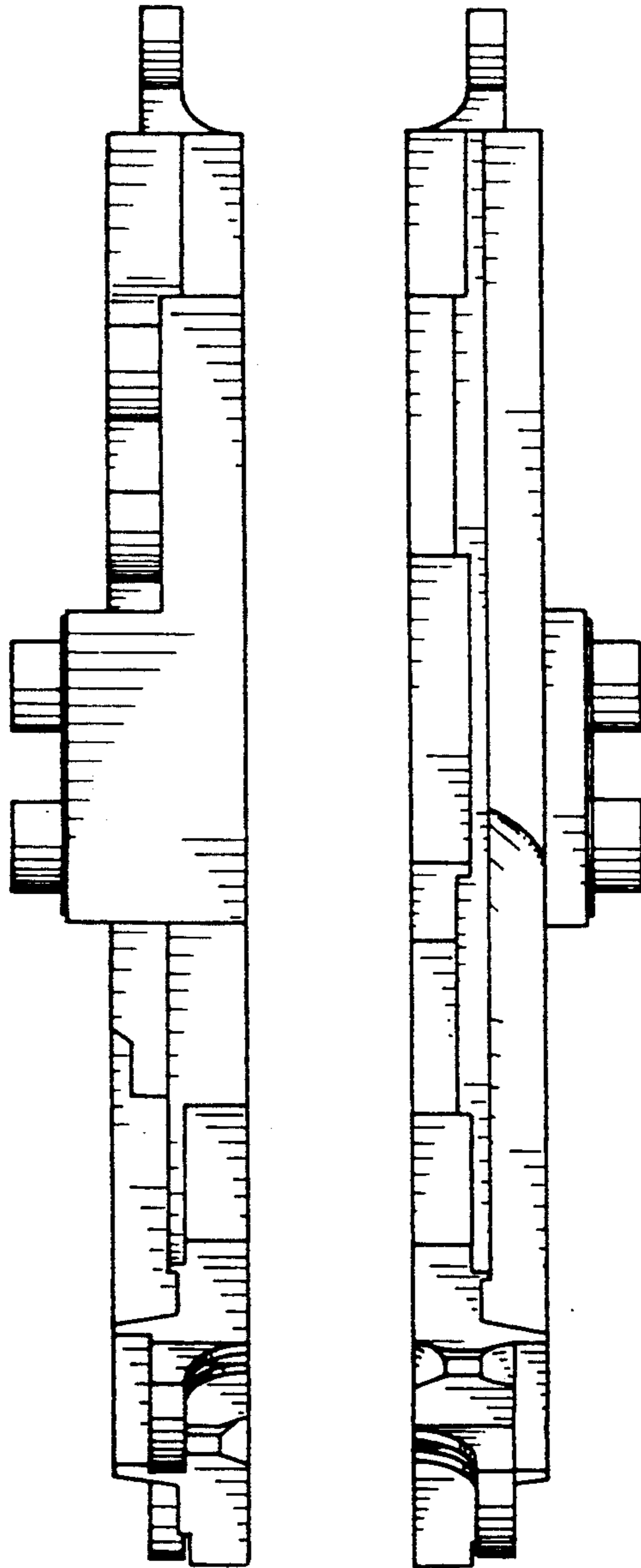


FIG. 2

FIG. 4

