



US00D344307S

United States Patent [19]

[11] Patent Number: **Des. 344,307**

Ruszkai

[45] Date of Patent: **** Feb. 15, 1994**

[54] **RAIL ELEMENT FOR A TOY TRAIN SET**

5,131,881 7/1992 Okada 446/445

[75] Inventor: **Ede F. Ruszkai**, Copenhagen, Denmark

Primary Examiner—Bernard Ansher
Assistant Examiner—R. Barkai
Attorney, Agent, or Firm—Kane, Dalsimer, Sullivan, Kurucz, Levy, Eisele and Richard

[73] Assignee: **Interlego A.G.**, Baar, Switzerland

[**] Term: **14 Years**

[57] **CLAIM**

[21] Appl. No.: **1,816**

The ornamental design for a rail element for a toy train set, as shown and described.

[22] Filed: **Nov. 24, 1992**

[52] U.S. Cl. **D21/143; D21/108**

DESCRIPTION

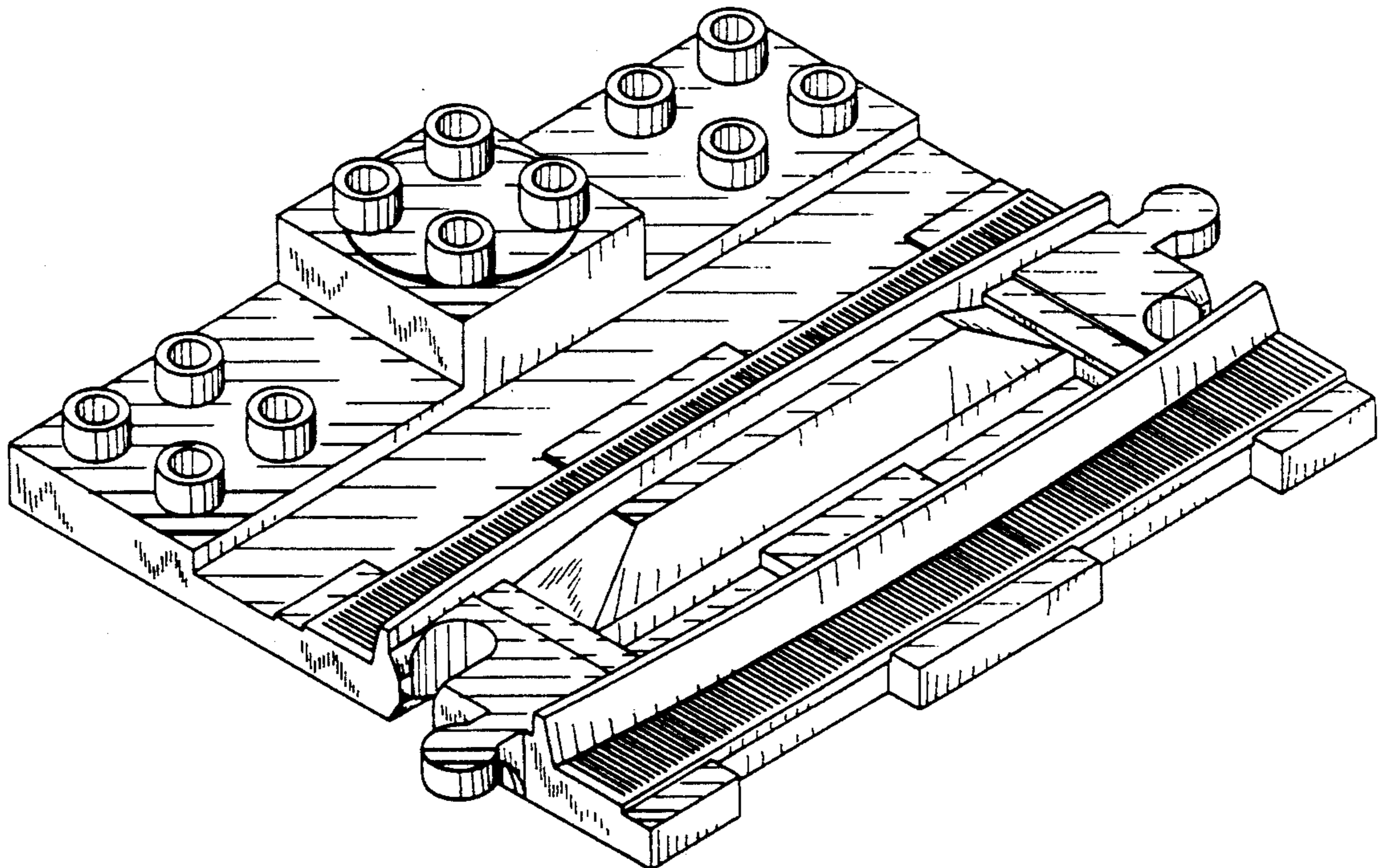
[58] Field of Search **446/445, 444, 476; 238/10 E; D21/108, 143**

FIG. 1 is a top perspective view of the rail element for a toy train set showing my new design;
FIG. 2 is a right side elevational view thereof;
FIG. 3 is a front elevational view thereof;
FIG. 4 is a left side elevational view thereof;
FIG. 5 is a rear elevational view thereof;
FIG. 6 is a top plan view thereof; and,
FIG. 7 is a bottom plan view thereof.

[56] **References Cited**

U.S. PATENT DOCUMENTS

D. 296,805	7/1988	Mikkelsen	D21/108
D. 326,880	6/1992	Larsen	D21/143
2,992,598	7/1961	Einfalt	446/444



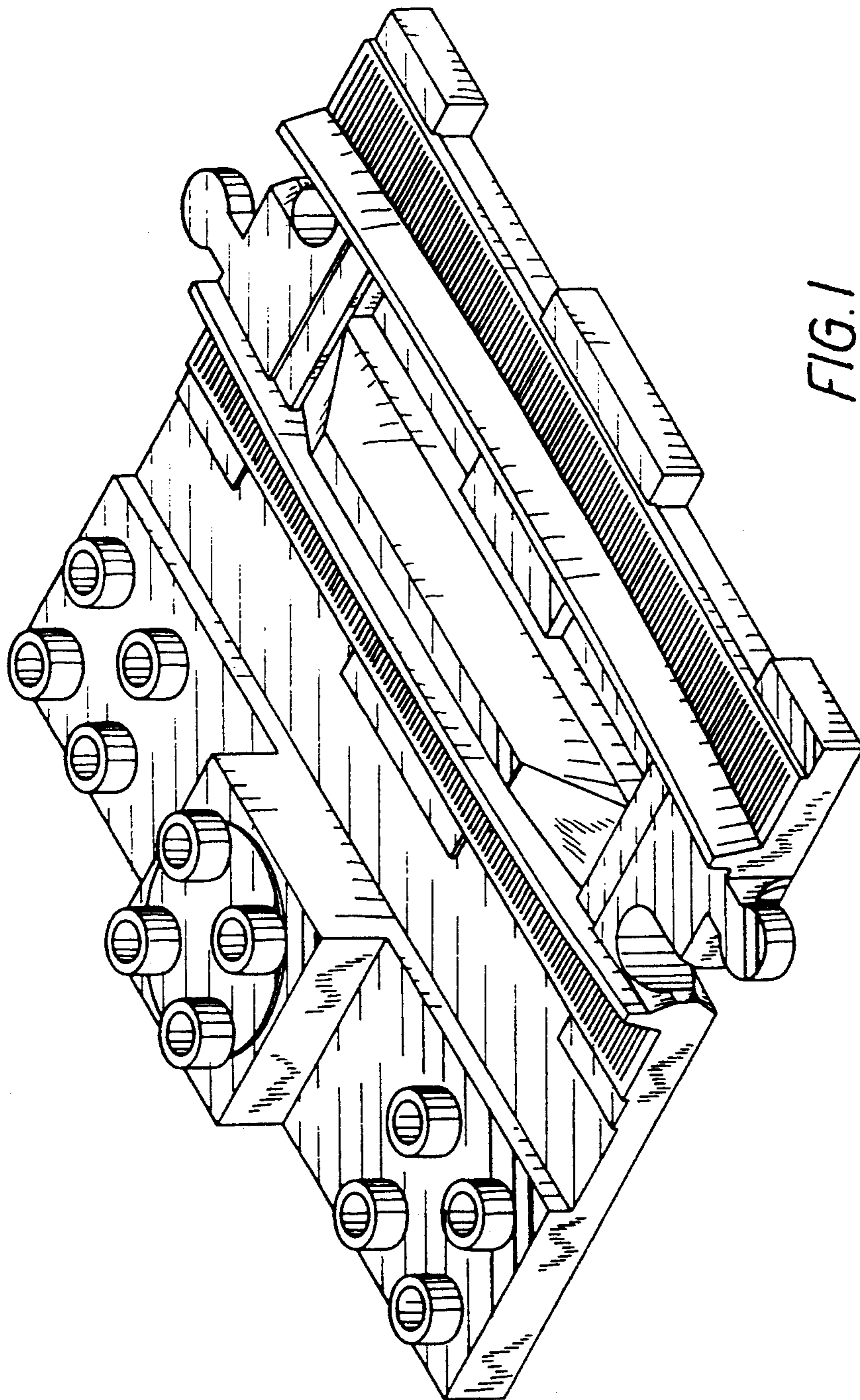


FIG. 1

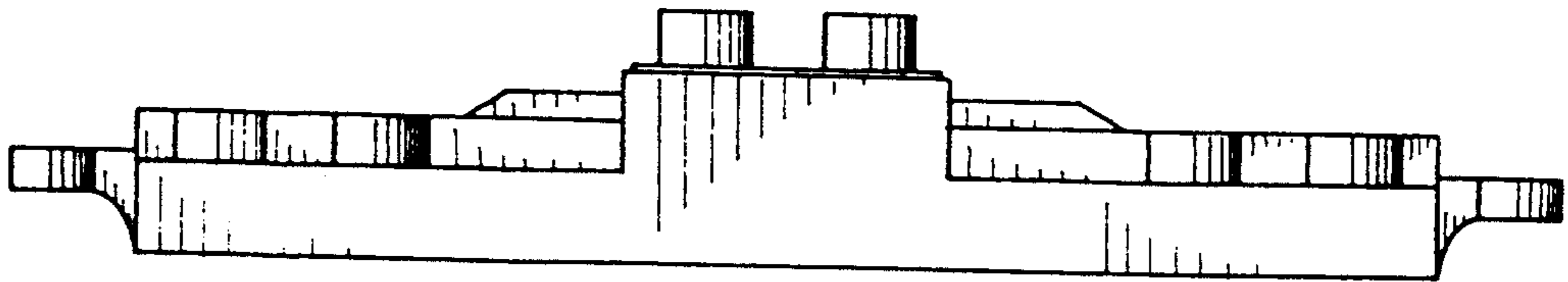


FIG. 2

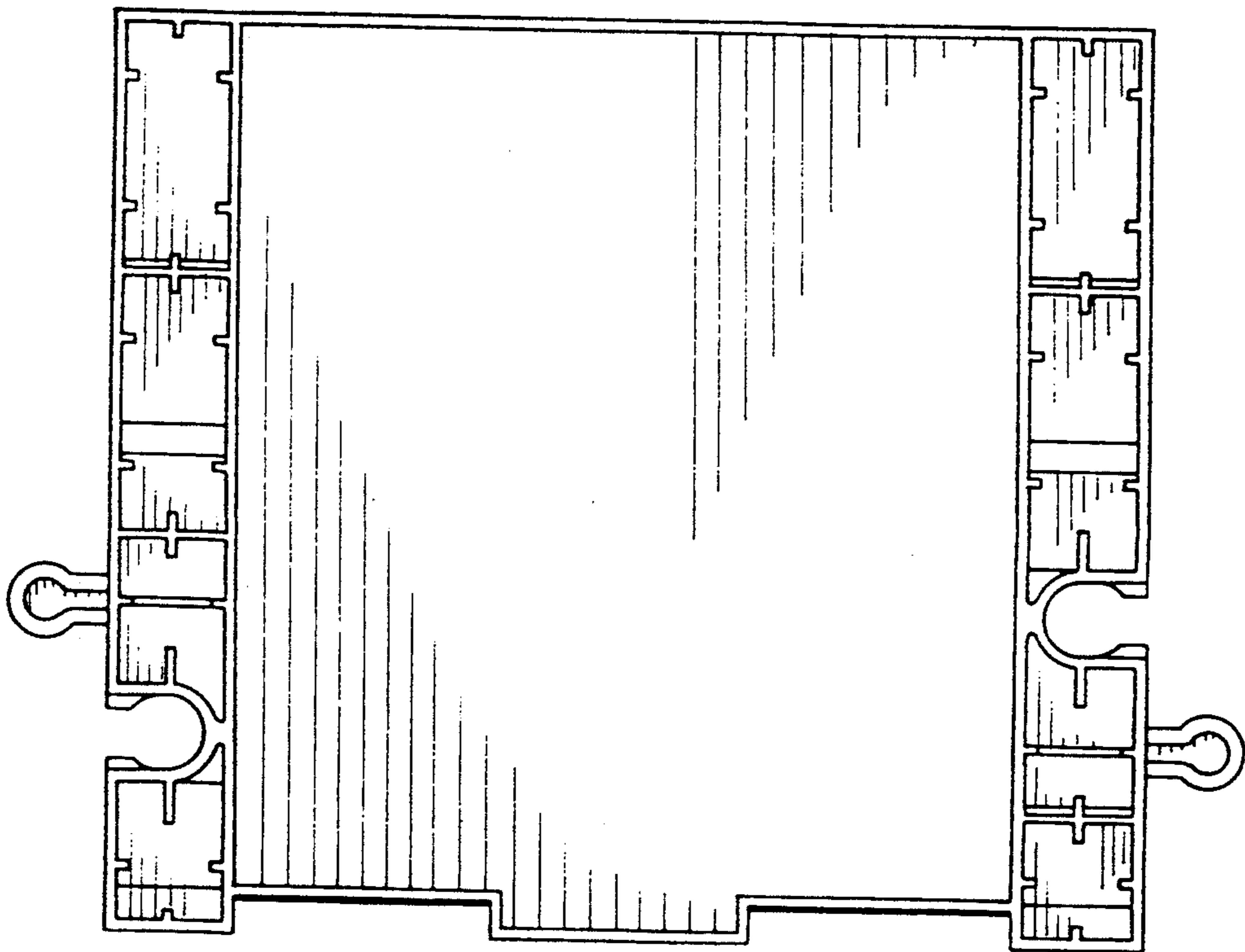


FIG. 7

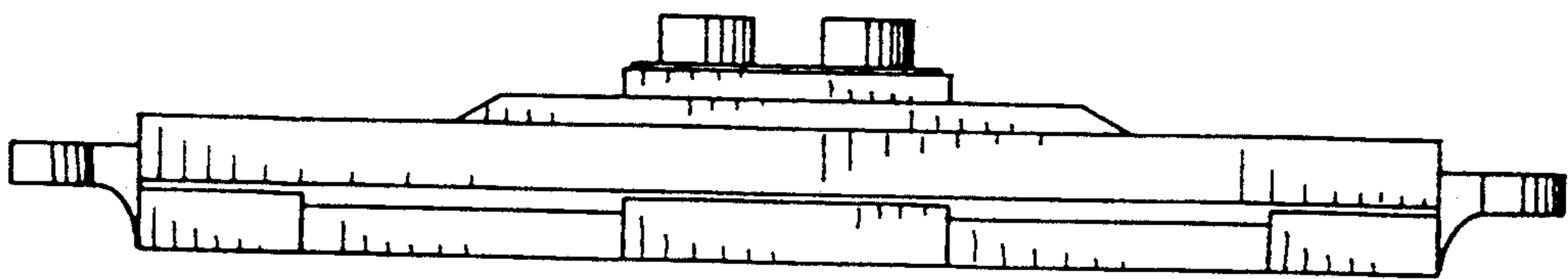


FIG. 4

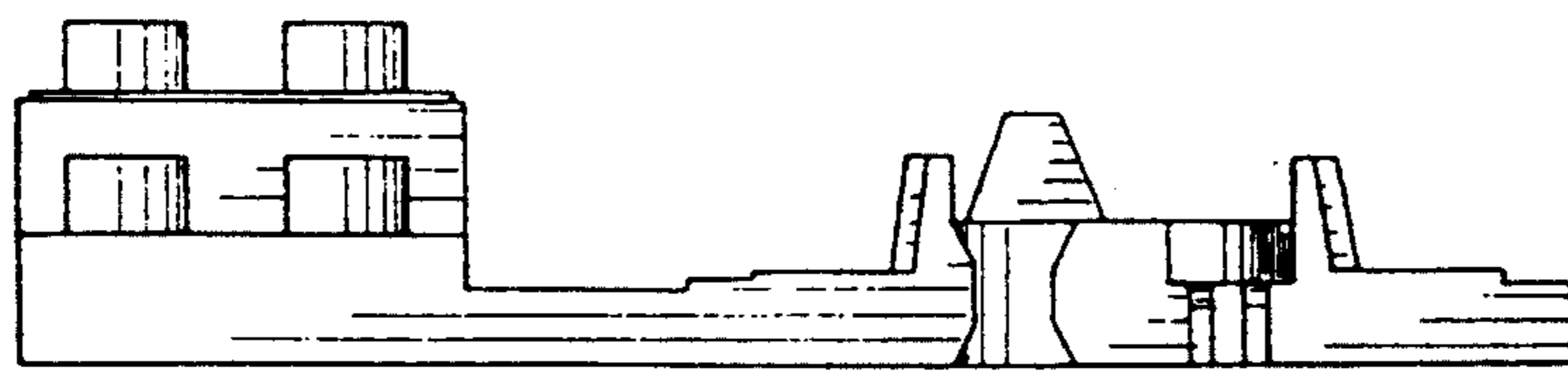


FIG. 3

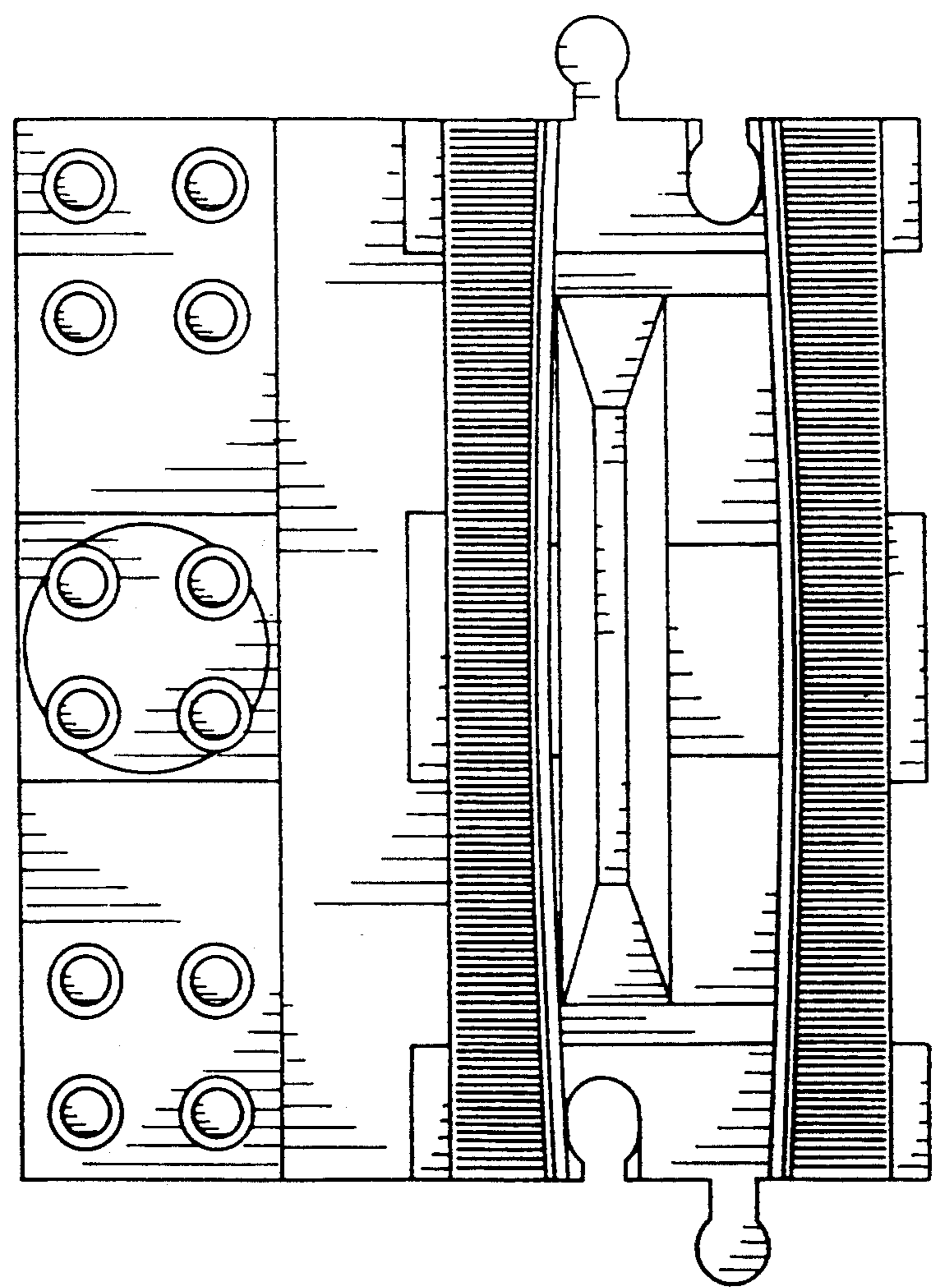


FIG. 6

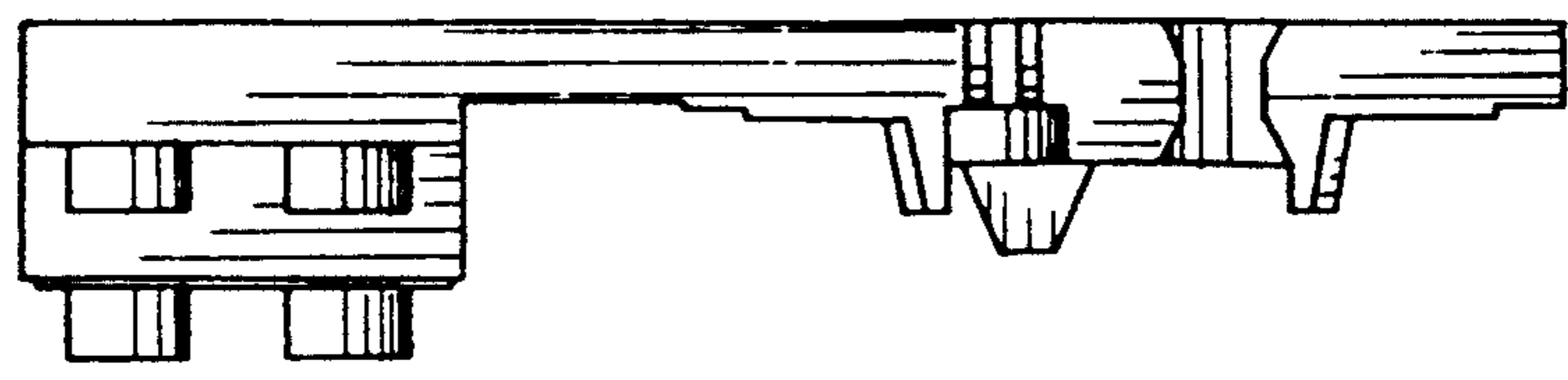


FIG. 5