



US00D344305S

United States Patent [19]

[11] Patent Number: **Des. 344,305**

Berggreen

[45] Date of Patent: **** Feb. 15, 1994**

[54] **WHEEL SET FOR A TOY VEHICLE**

4,685,892	8/1987	Gould	446/95
4,710,148	12/1987	Nagaoka	446/95
4,993,983	2/1991	Kurita	446/93

[75] Inventor: **Ib H. Berggreen**, Rungsted Kyst, Denmark

Primary Examiner—Bernard Ansher
Assistant Examiner—R. Barkai
Attorney, Agent, or Firm—Kane, Dalsimer, Sullivan, Kurucz, Levy, Eisele and Richard

[73] Assignee: **Interlego A.G.**, Baar, Switzerland

[**] Term: **14 Years**

[57] **CLAIM**

[21] Appl. No.: **1,907**

The ornamental design for a wheel set for a toy vehicle, as shown and described.

[22] Filed: **Nov. 24, 1992**

[52] U.S. Cl. **D21/141; D21/108**

[58] Field of Search **446/88, 93, 95, 120, 446/128, 470, 471, 901; D21/108, 136, 141**

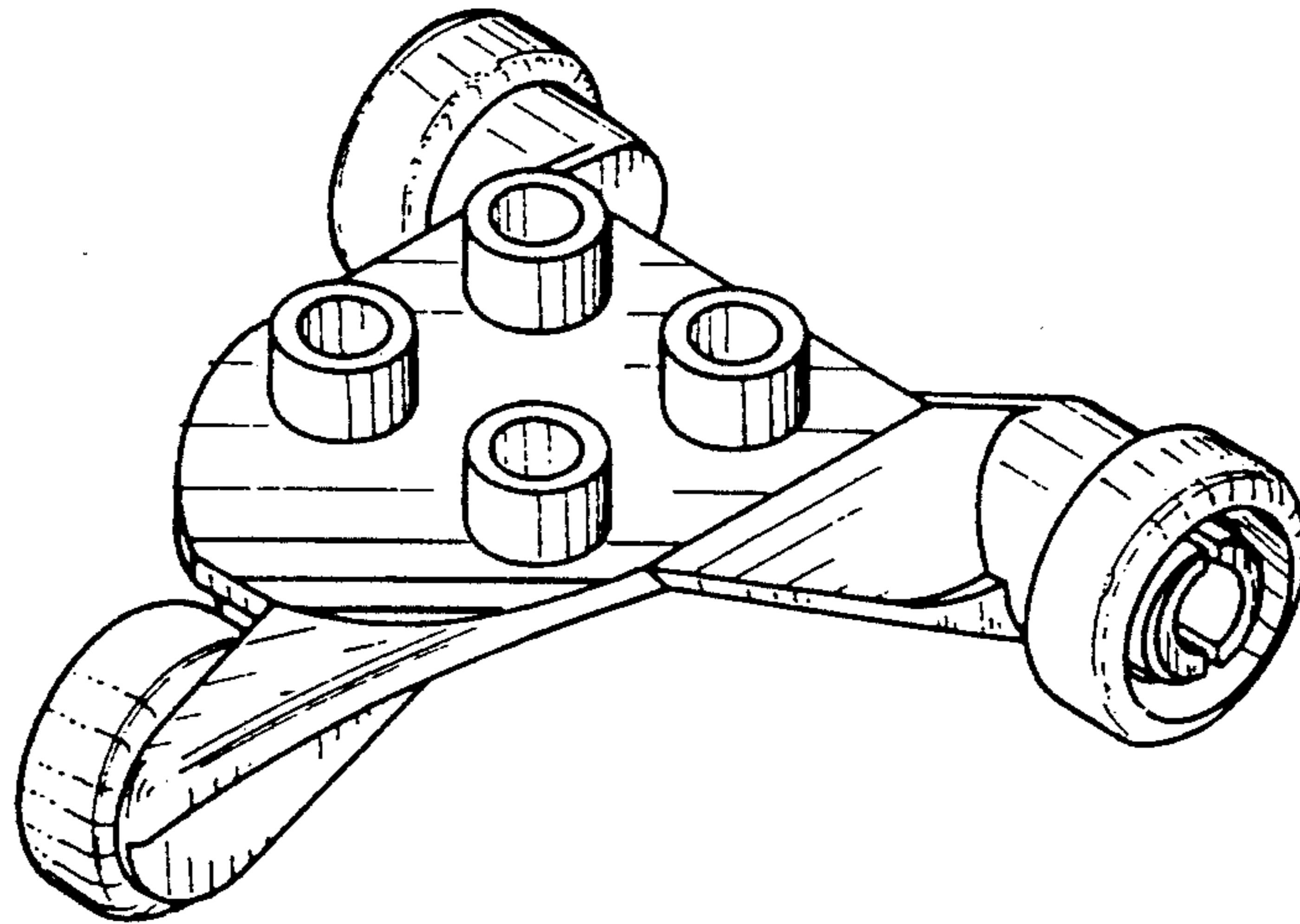
DESCRIPTION

[56] **References Cited**

U.S. PATENT DOCUMENTS

D. 331,431	12/1992	Jensen	D21/108
3,224,135	12/1965	Wright	446/95
3,660,927	5/1972	Christopher	446/94
4,375,139	3/1983	Chatani	446/471

FIG. 1 is a top perspective view of the wheel set for a toy vehicle showing my new design; FIG. 2 is a right side elevational view thereof; FIG. 3 is a front elevational view thereof; FIG. 4 is a left side elevational view thereof; FIG. 5 is a rear elevational view thereof; FIG. 6 is a top plan view thereof; and, FIG. 7 is a bottom plan view thereof.



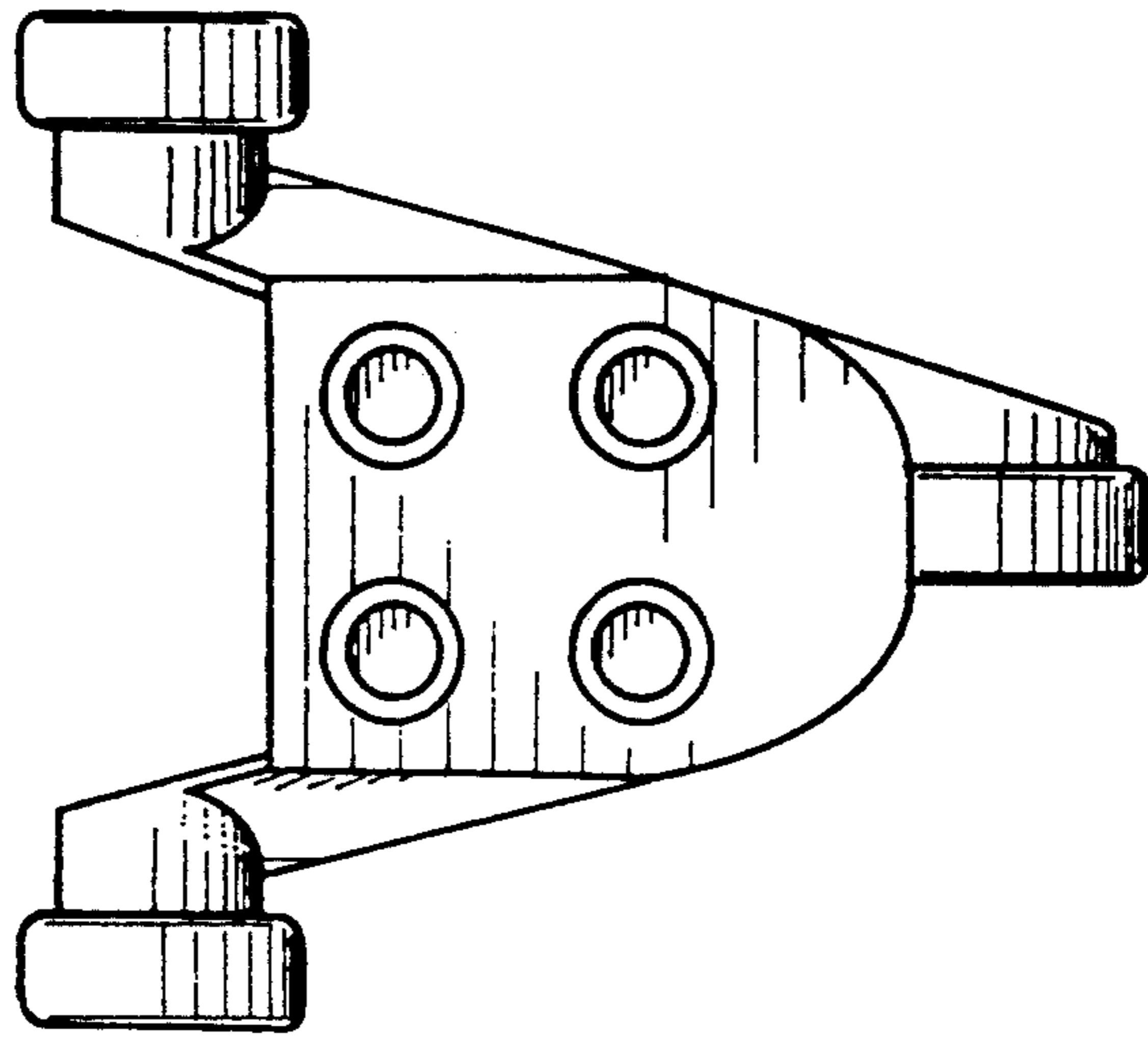


FIG. 6

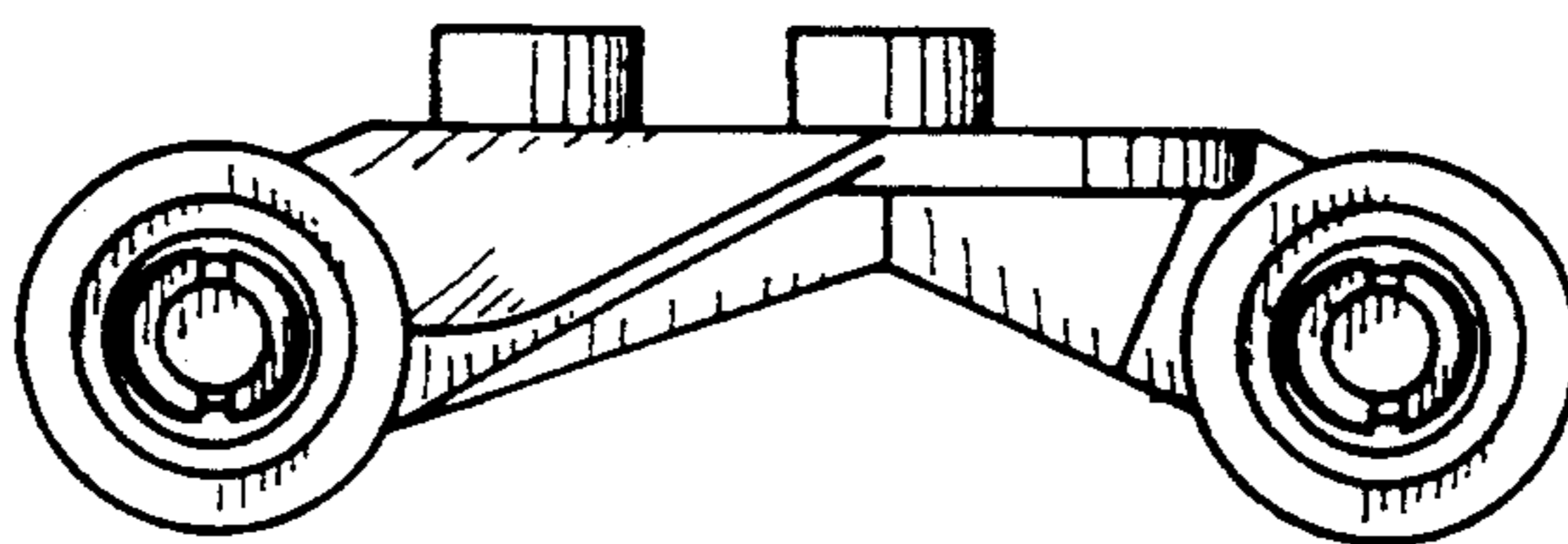


FIG. 2

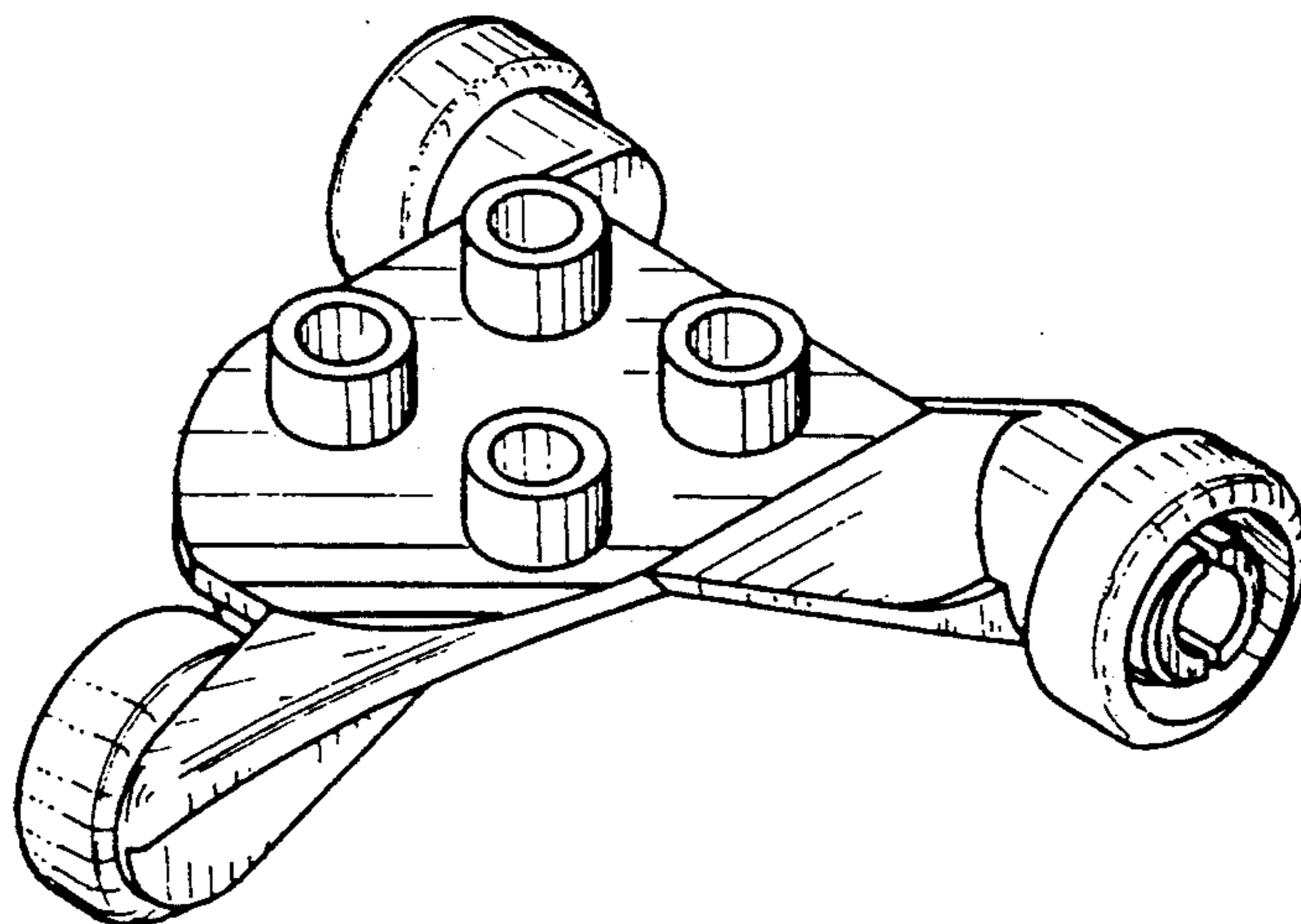


FIG. 1

