



US00D344301S

# United States Patent [19]

[11] Patent Number: **Des. 344,301**

**Berggreen**

[45] Date of Patent: **\*\* Feb. 15, 1994**

[54] **ELEMENT FOR A TOY BUILDING SET**

4,744,780 5/1988 Volpe ..... 446/128  
5,061,218 10/1991 Garage ..... 446/102

[75] Inventor: **Ib H. Berggreen**, Rungsted Kyst, Denmark

*Primary Examiner*—Bernard Ansher

*Assistant Examiner*—R. Barkai

[73] Assignee: **Interlego A.G.**, Baar, Switzerland

*Attorney, Agent, or Firm*—Kane, Dalsimer, Sullivan, Kurucz, Levy, Eisele, and Richard

[\*\*] Term: **14 Years**

[57] **CLAIM**

[21] Appl. No.: **1,896**

The ornamental design for an element for a toy building set, as shown and described.

[22] Filed: **Nov. 24, 1992**

[52] U.S. Cl. .... **D21/108**

**DESCRIPTION**

[58] Field of Search ..... **446/118, 120, 124, 125, 446/128; D21/108**

FIG. 1 is a top perspective view of the element for a toy building set showing my new design;

FIG. 2 is a front elevational view thereof;

FIG. 3 is a side elevational view thereof, the other side being identical;

FIG. 4 is a rear elevational view thereof;

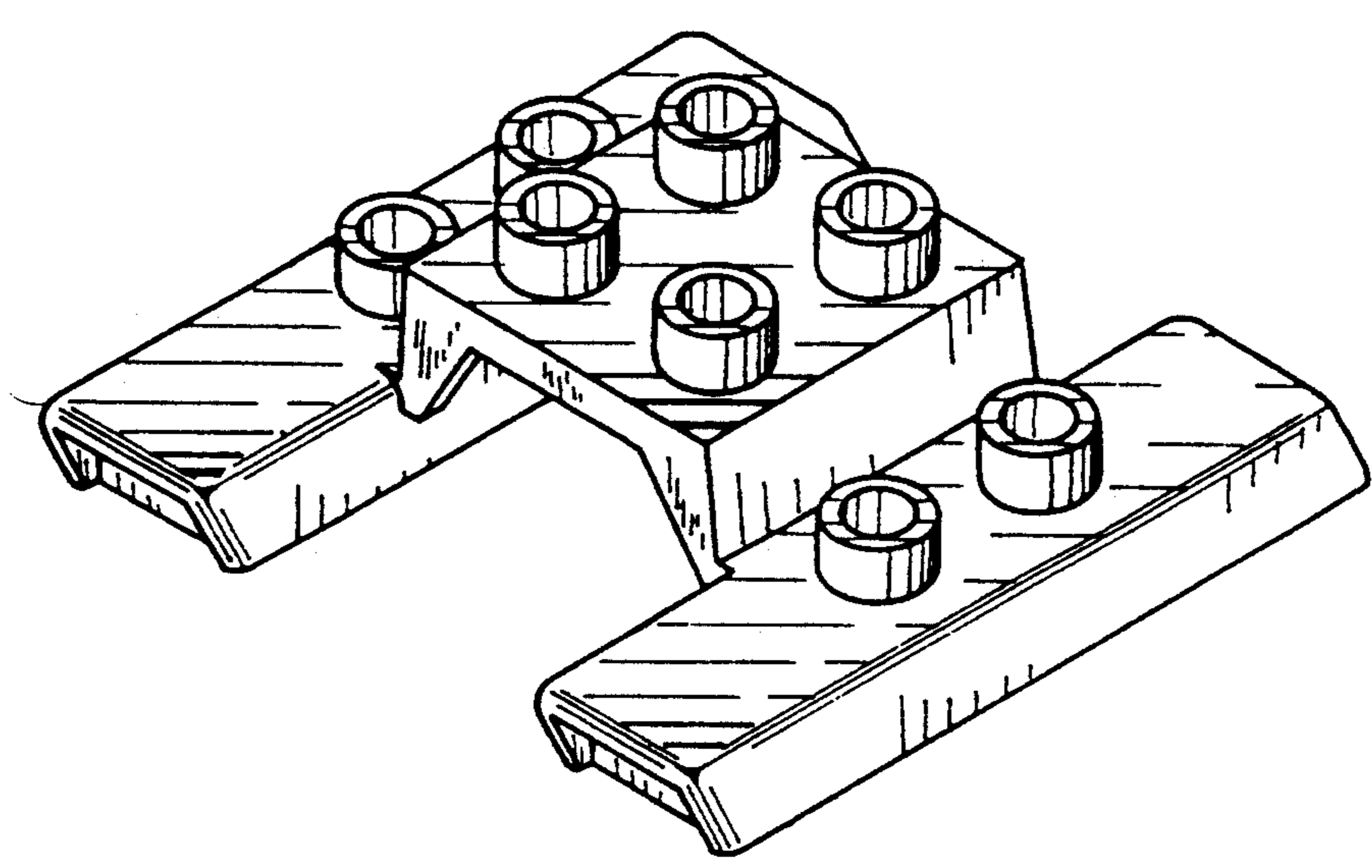
FIG. 5 is a top plan view thereof; and,

FIG. 6 is a bottom plan view thereof.

[56] **References Cited**

**U.S. PATENT DOCUMENTS**

- D. 295,641 5/1988 Dideriksen ..... D21/108
- D. 295,644 5/1988 Takahashi ..... D21/108
- D. 296,346 6/1988 Thomsen ..... D21/108



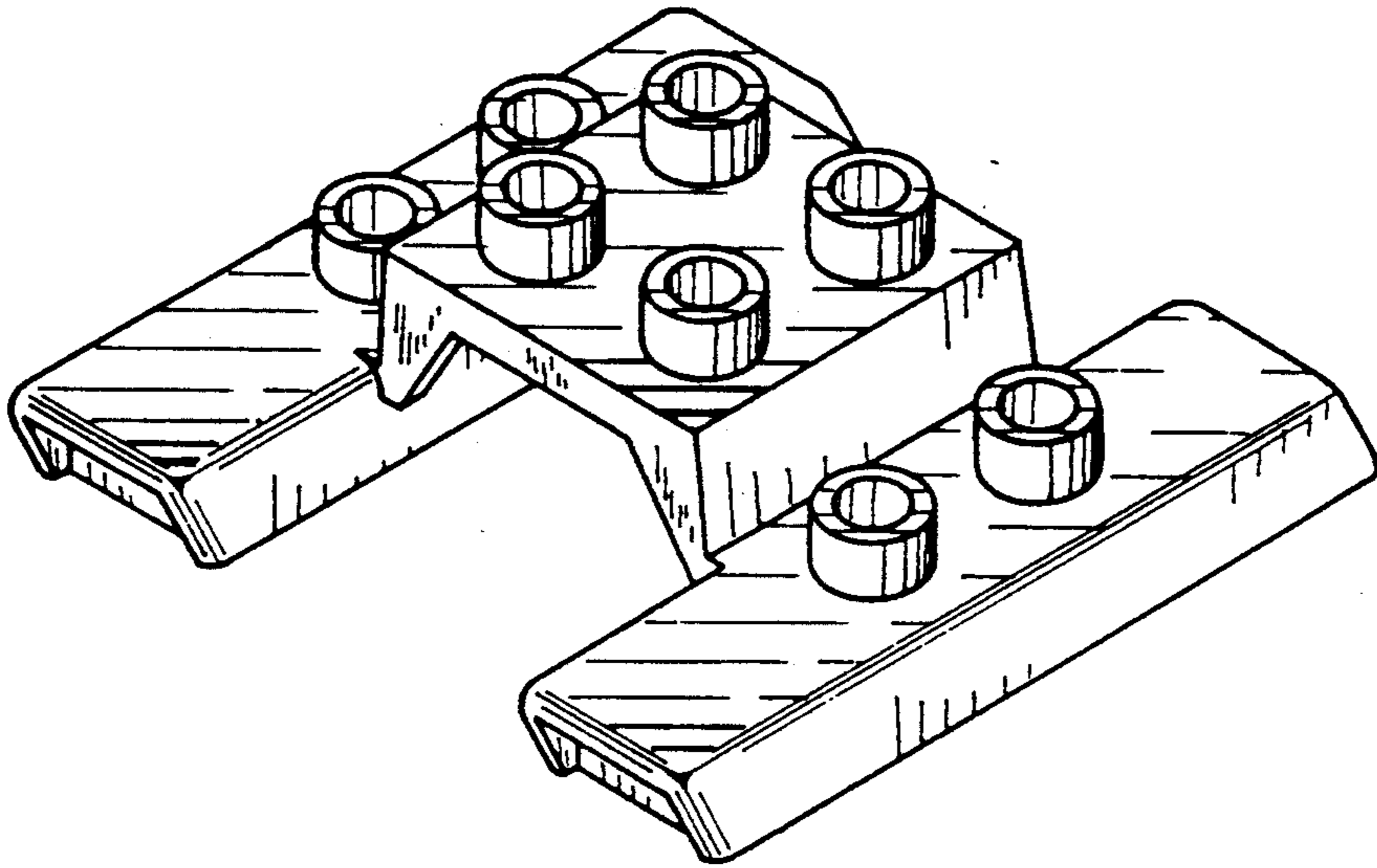


FIG. 1

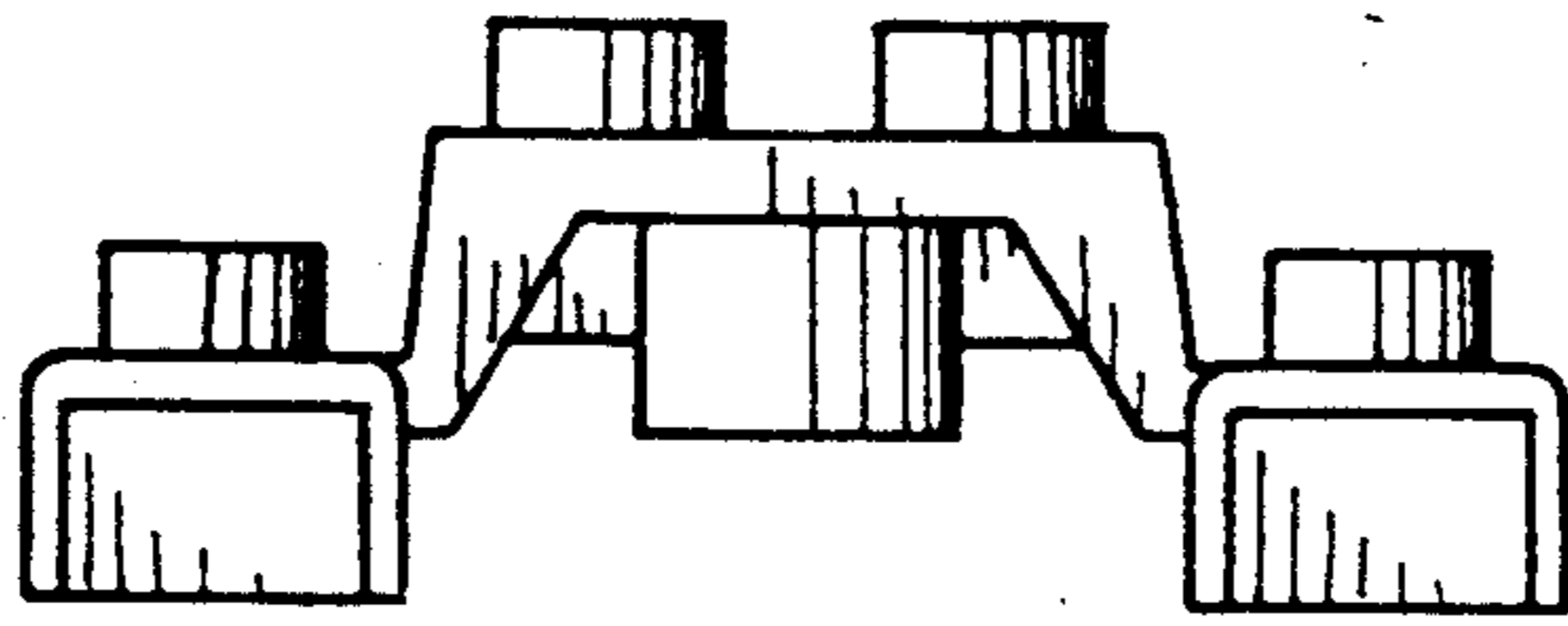


FIG. 2

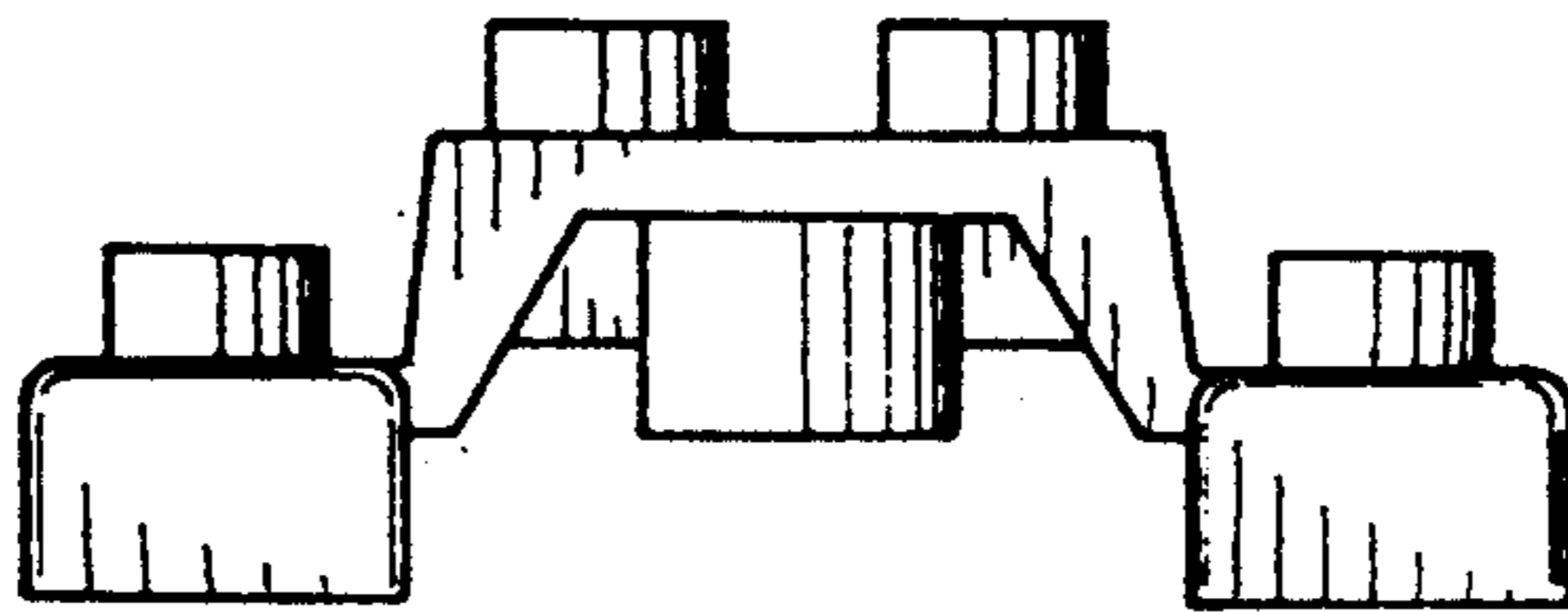


FIG. 4

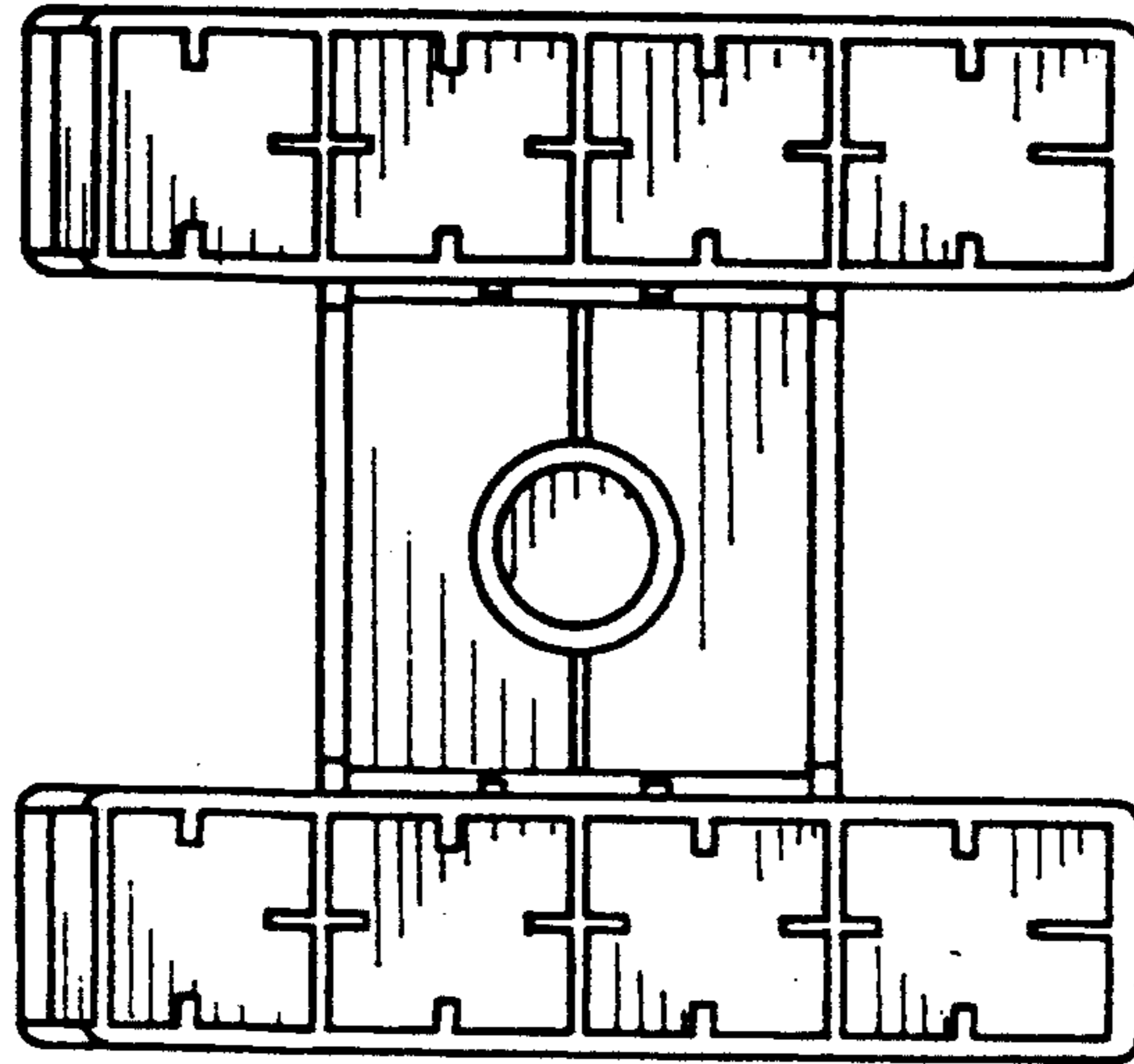


FIG. 6

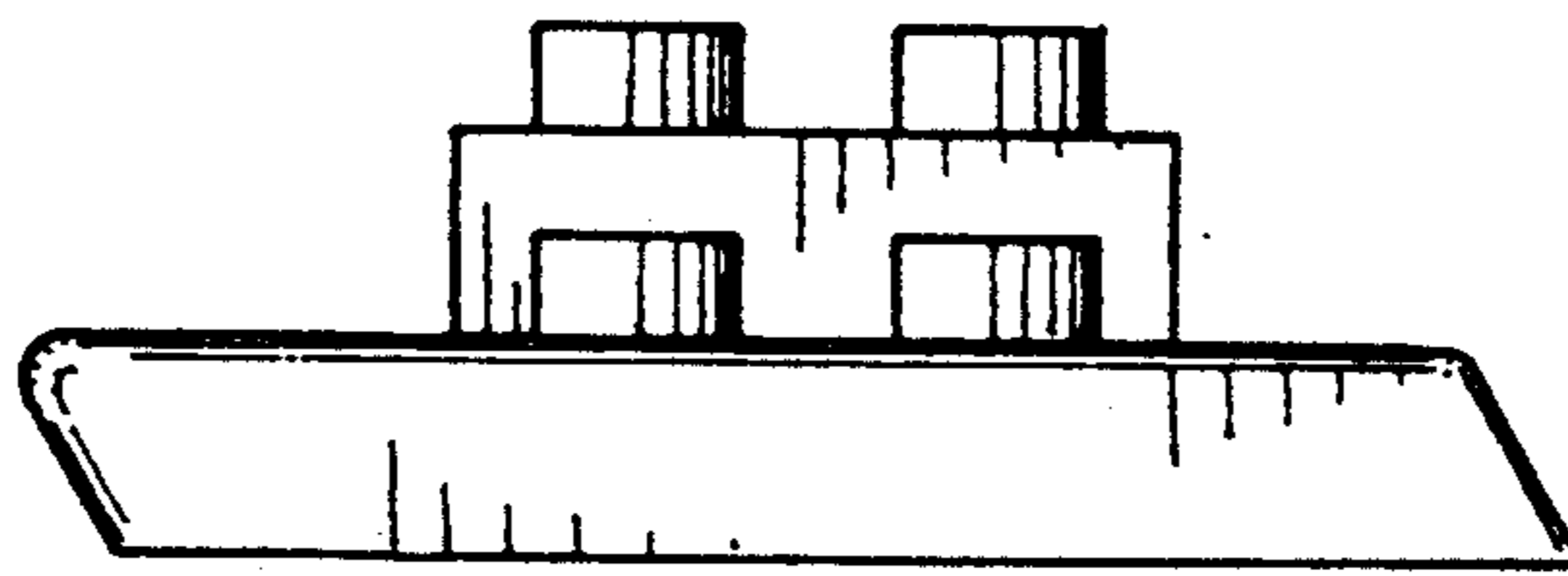


FIG. 3

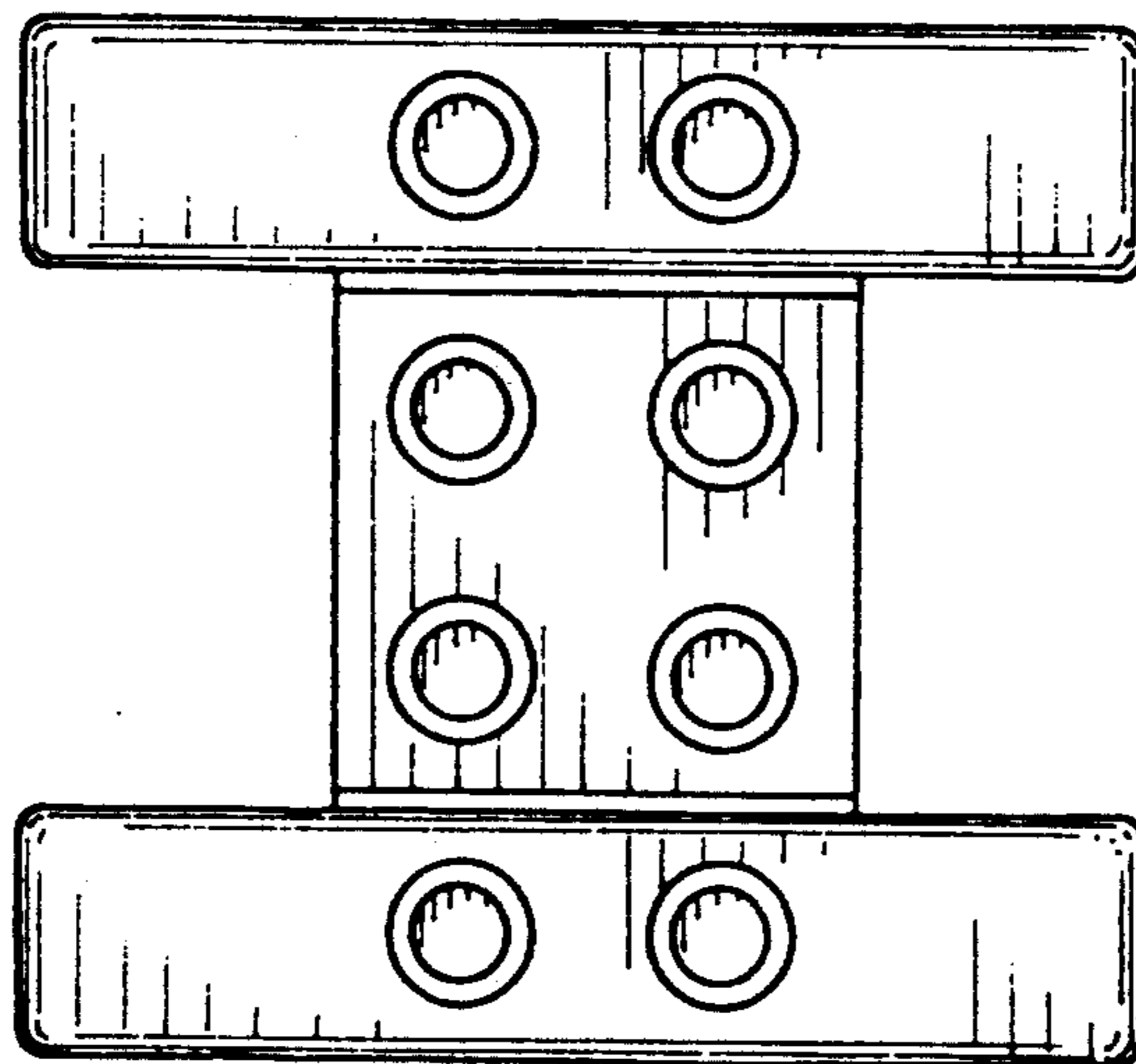


FIG. 5