



US00D344299S

United States Patent [19]

[11] Patent Number: Des. 344,299

Gault

[45] Date of Patent: ** Feb. 15, 1994

[54] RIDING TOY

3,116,073 12/1963 Ott 280/87.021
3,650,344 3/1972 Plessinger 280/282

[76] Inventor: Robert L. Gault, 7317 Tanbark Way,
Raleigh, N.C. 27615

OTHER PUBLICATIONS

Sears "Wishbook" 1985 p. 568 #6.

[**] Term: 14 Years

Primary Examiner—Bernard Ansher

[21] Appl. No.: 948,801

Assistant Examiner—R. Barkai

[22] Filed: Sep. 24, 1992

Attorney, Agent, or Firm—Rhodes, Coats & Bennett

[52] U.S. Cl. D21/76

[57] CLAIM

[58] Field of Search D6/344-345,
D6/335, 348, 351; 446/29, 451; 280/1.12, 1.13,
1.21, 1.182, 1.183, 87.01, 87.03, 87.021, 87.041,
87.042; 472/102, 104, 135; 297/181, 258;
455/344-345; D21/68-71, 74-76, 78, 80, 81,
227; D12/16; D14/188-189

The ornamental design for a riding toy, as shown and described.

DESCRIPTION

[56] References Cited

FIG. 1 is a perspective view of the riding toy of the present invention;

FIG. 2 is a top plan view of the present invention;

FIG. 3 is a bottom plan view of the present invention;

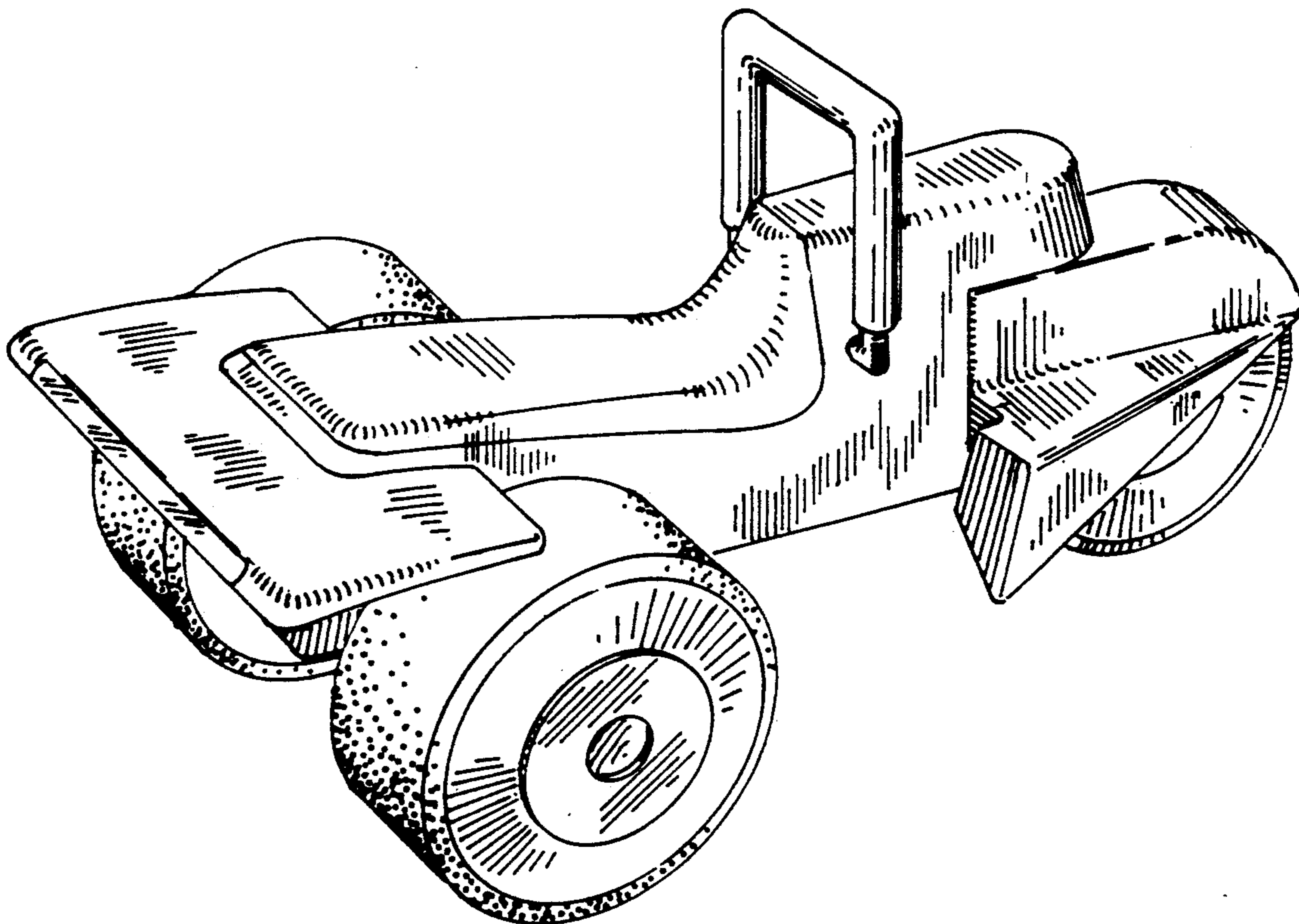
FIG. 4 is a front elevational view of the present invention;

FIG. 5 is a rear elevational view of the present invention; and,

FIG. 6 is a side elevational view of the present invention with the opposite side being a mirror image of the same.

U.S. PATENT DOCUMENTS

D 207,785	5/1967	Rockwell	D21/71
D. 214,576	7/1969	King	D21/71
D. 252,816	9/1979	Goldfarb	D21/76
D. 285,947	9/1986	Blumenthal	D21/76
D. 292,301	10/1987	Lohmann	D21/80



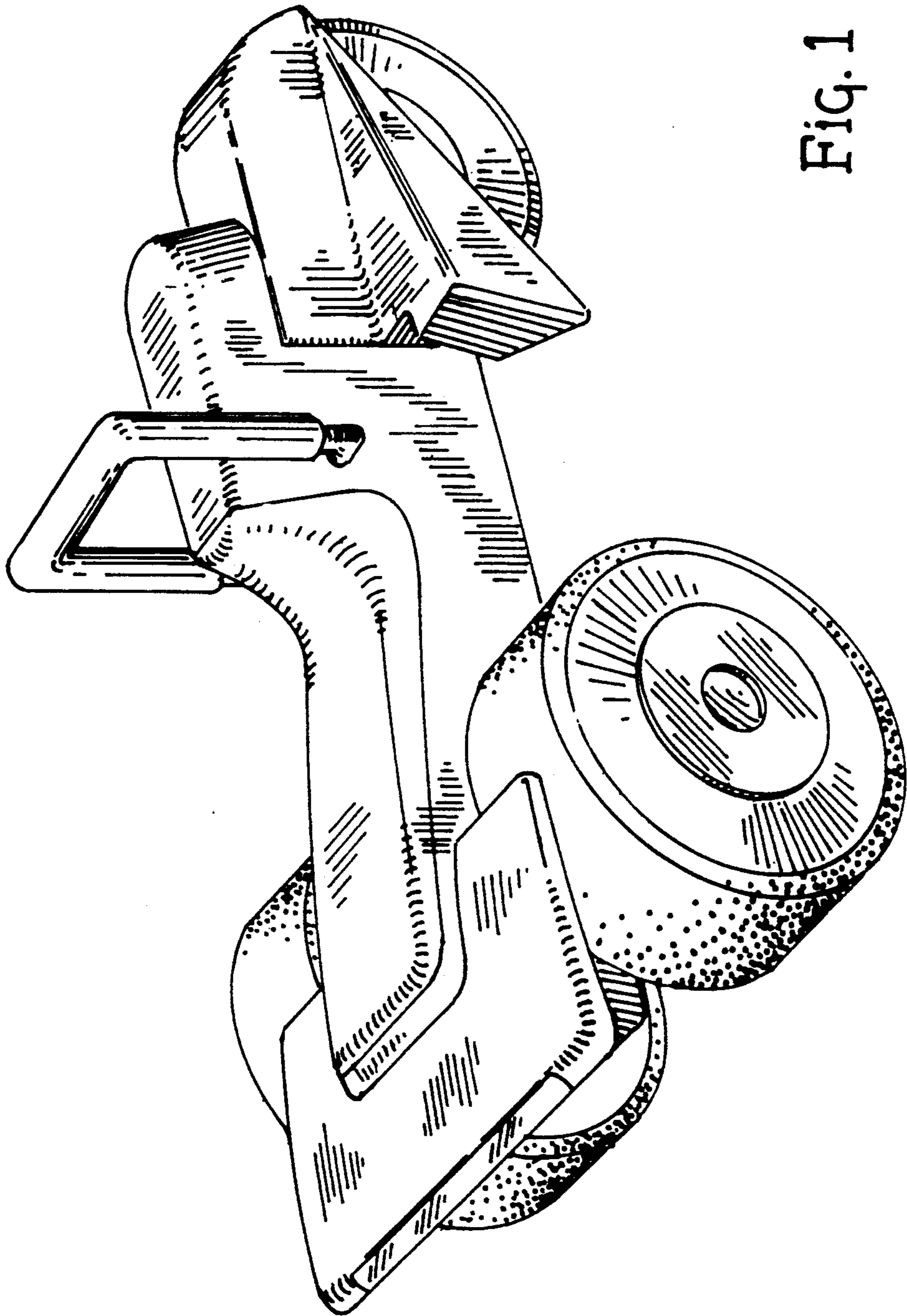


Fig. 1

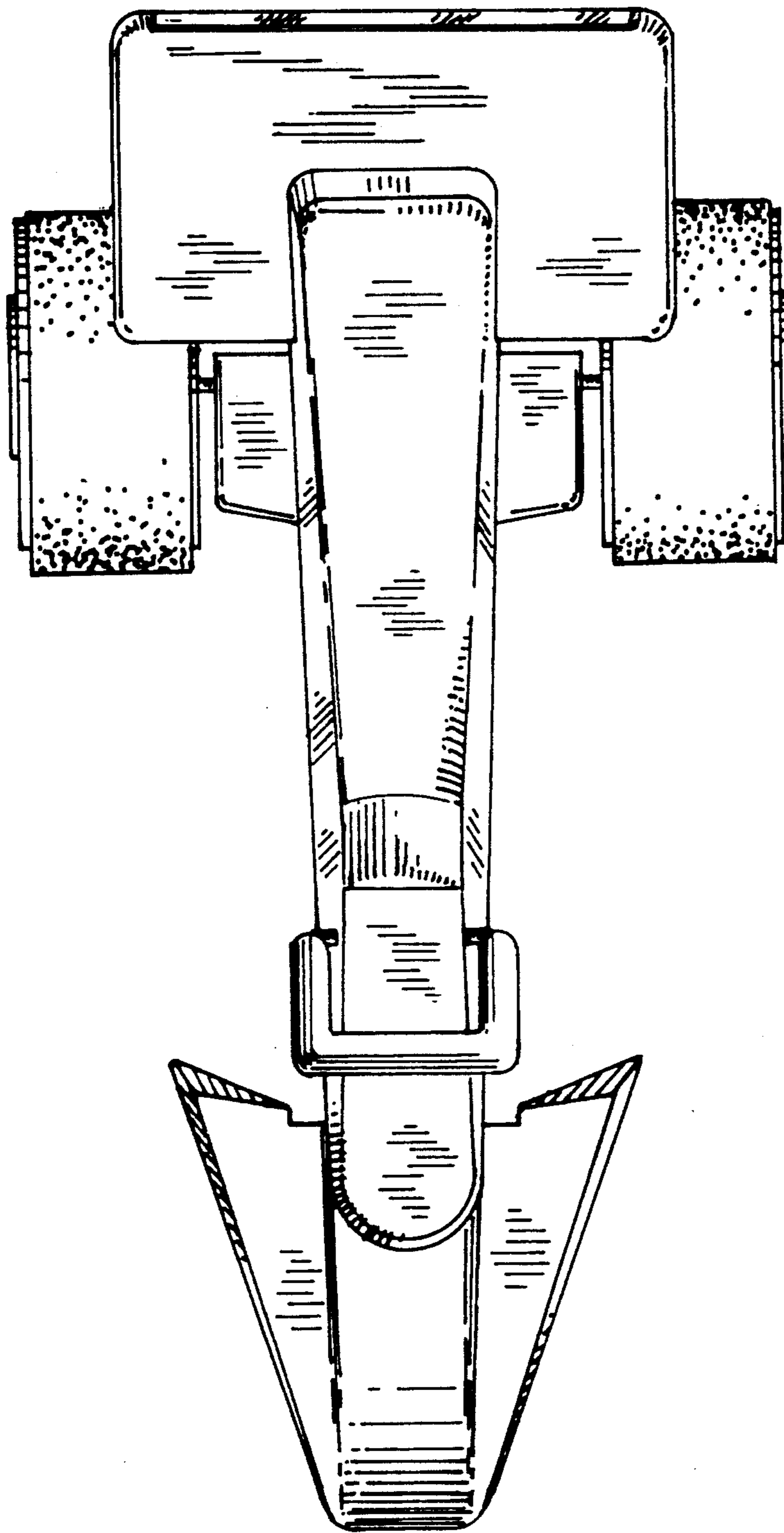


Fig. 2

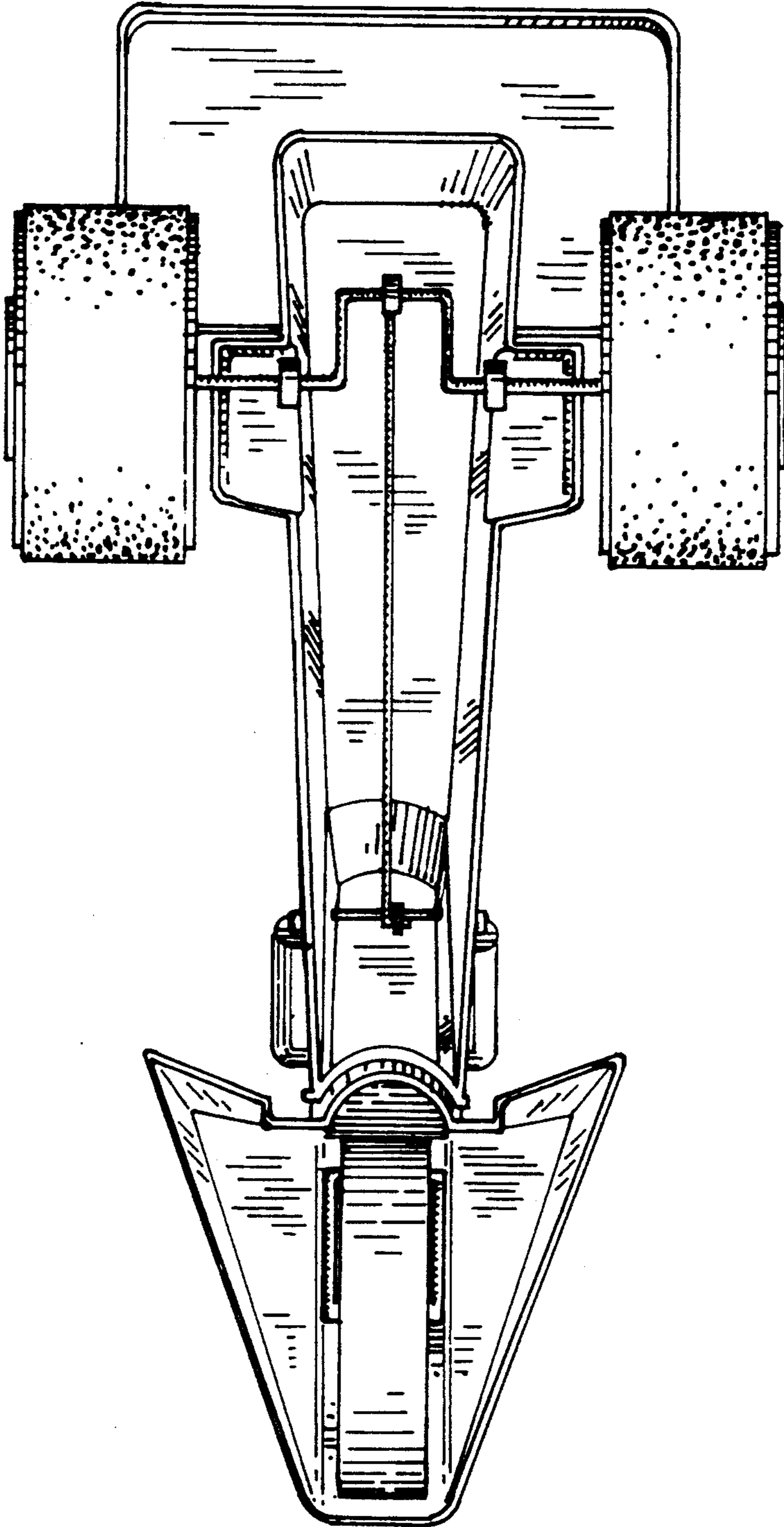


Fig. 3

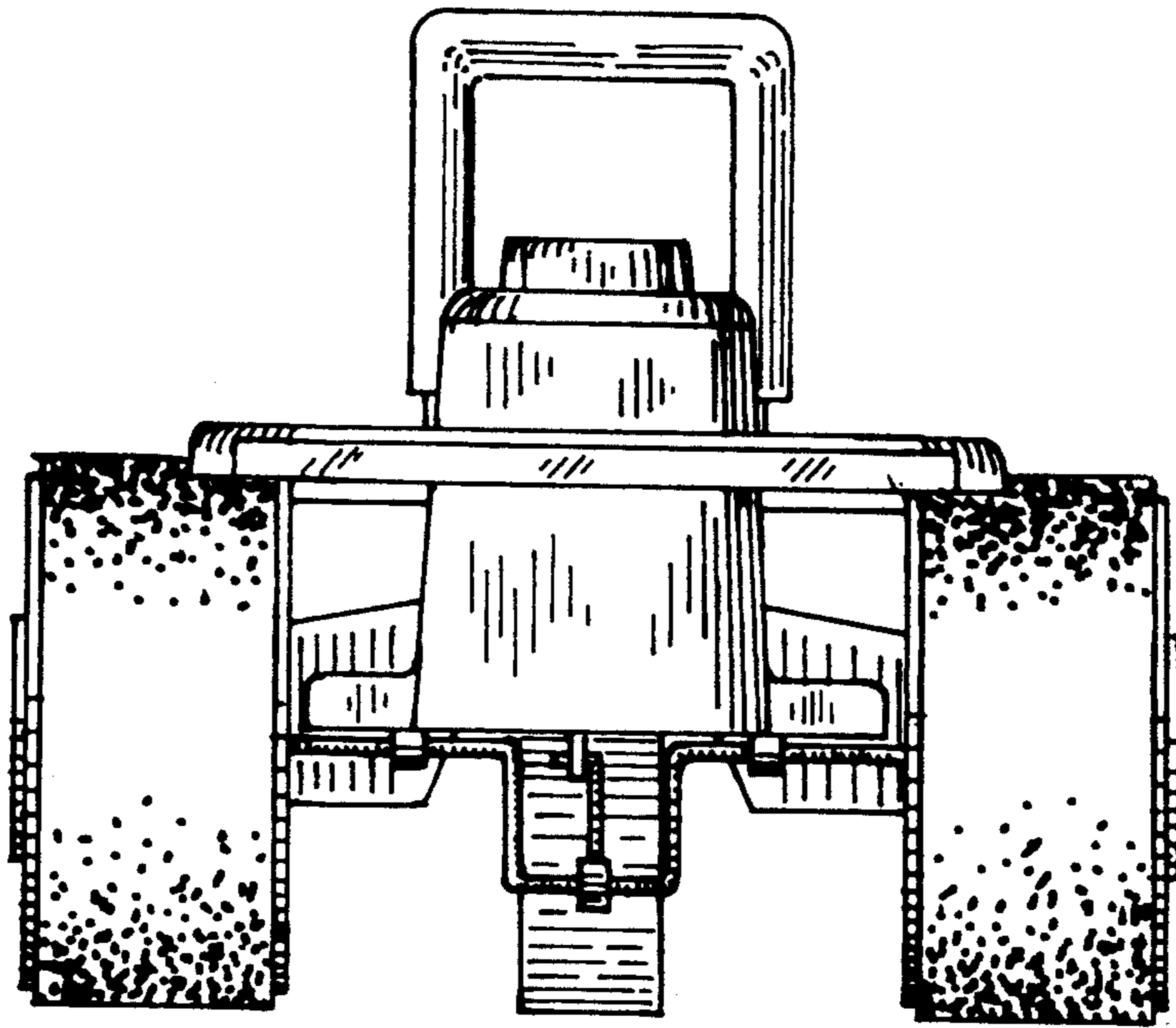


Fig.5

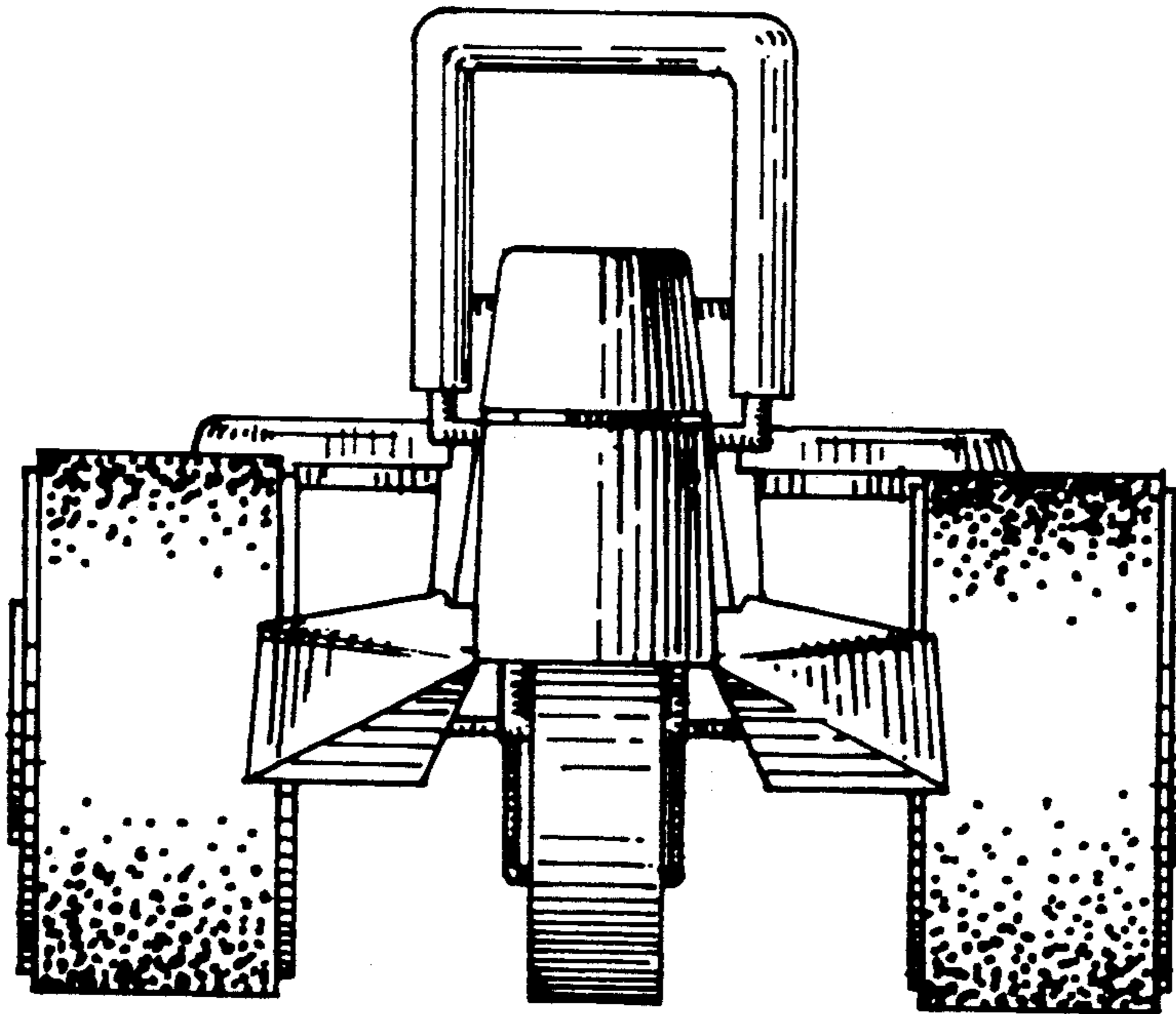


Fig.4

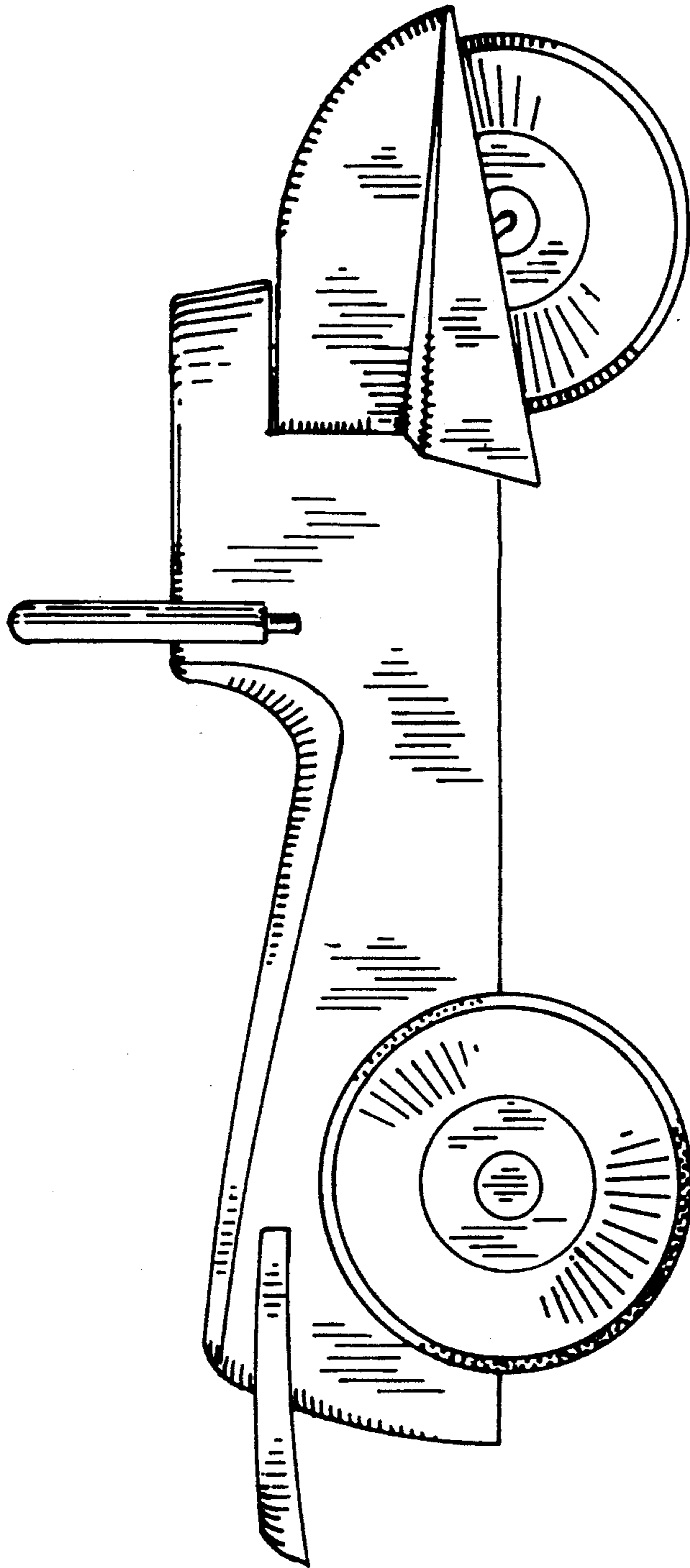


Fig. 6