



US00D344296S

United States Patent [19]

[11] Patent Number: Des. 344,296

McKay et al.

[45] Date of Patent: ** Feb. 15, 1994

[54] SLANT-TOP GAMING MACHINE

[75] Inventors: Linn A. McKay, Henderson; Michael O. Parham; Frank C. DeSimone, both of Las Vegas, all of Nev.

[73] Assignee: Sigma Game, Inc., Las Vegas, Nev.

[**] Term: 14 Years

[21] Appl. No.: 904,521

[22] Filed: Jun. 12, 1992

[52] U.S. Cl. D21/37

[58] Field of Search 273/138 A, 138 R, 142 R, 273/143 R, 144 A, 144 B, 144 R; D21/37, 38

[56] References Cited

U.S. PATENT DOCUMENTS

D. 261,782 11/1981 Muir D21/37

Primary Examiner—Terry A. Wallace

Attorney, Agent, or Firm—Skjerven, Morrill, MacPherson, Franklin & Friel

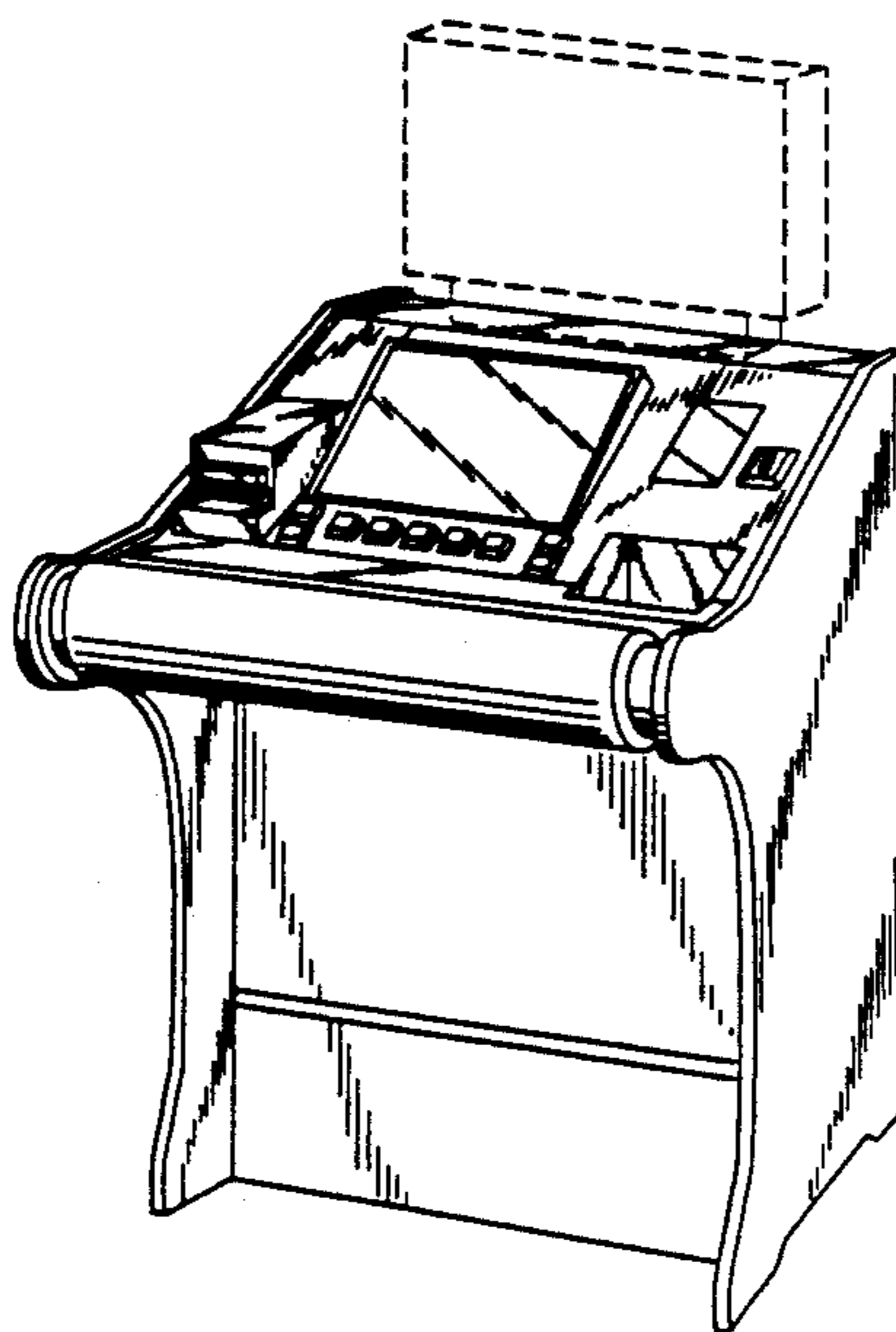
[57] CLAIM

The ornamental design for a slant-top gaming machine, as shown and described.

DESCRIPTION

FIG. 1 is a perspective view from the front and one side of a slant-top gaming machine showing our new design; FIG. 2 is a side elevational view thereof; FIG. 3 is a top plan view thereof; FIG. 4 is a bottom view thereof; FIG. 5 is a rear elevational view thereof; FIG. 6 is a front elevational view thereof; FIG. 7 is a perspective view from the front and one side of a second embodiment thereof; FIG. 8 is a side elevational view of the second embodiment;

FIG. 9 is a top plan view of the second embodiment; FIG. 10 is a front elevational view of the second embodiment; a bottom view and rear elevational view of the second embodiment are shown in FIG. 4 and 5, respectively; FIG. 11 is a perspective view from the front and one side of a third embodiment thereof; FIG. 12 is a side elevational view of the third embodiment; FIG. 13 is a top plan view of the third embodiment; FIG. 14 is a front elevational view of the third embodiment; a bottom view and rear elevational view of the third embodiment are shown in FIGS. 4 and 5, respectively; FIG. 15 is a perspective view from the front and one side of a fourth embodiment thereof; FIG. 16 is a side elevational view of the fourth embodiment; FIG. 17 is a top plan view of the fourth embodiment; FIG. 18 is a front elevational view of the fourth embodiment; a bottom view and rear elevational view of the fourth embodiment are shown in FIGS. 4 and 5, respectively; FIG. 19 is a perspective view from the front and one side of a fifth embodiment thereof; FIG. 20 is a side elevational view of the fifth embodiment; FIG. 21 is a top plan view of the fifth embodiment; FIG. 22 is a front elevational view of the fifth embodiment; FIG. 23 is a perspective view from the front and one side of a sixth embodiment thereof; FIG. 24 is a side elevational view of the sixth embodiment; FIG. 25 is a top plan view of the sixth embodiment; and, FIG. 26 is a front elevational view of the sixth embodiment. A bottom view and rear elevational view of the fifth and sixth embodiments are shown in FIGS. 4 and 5, respectively.



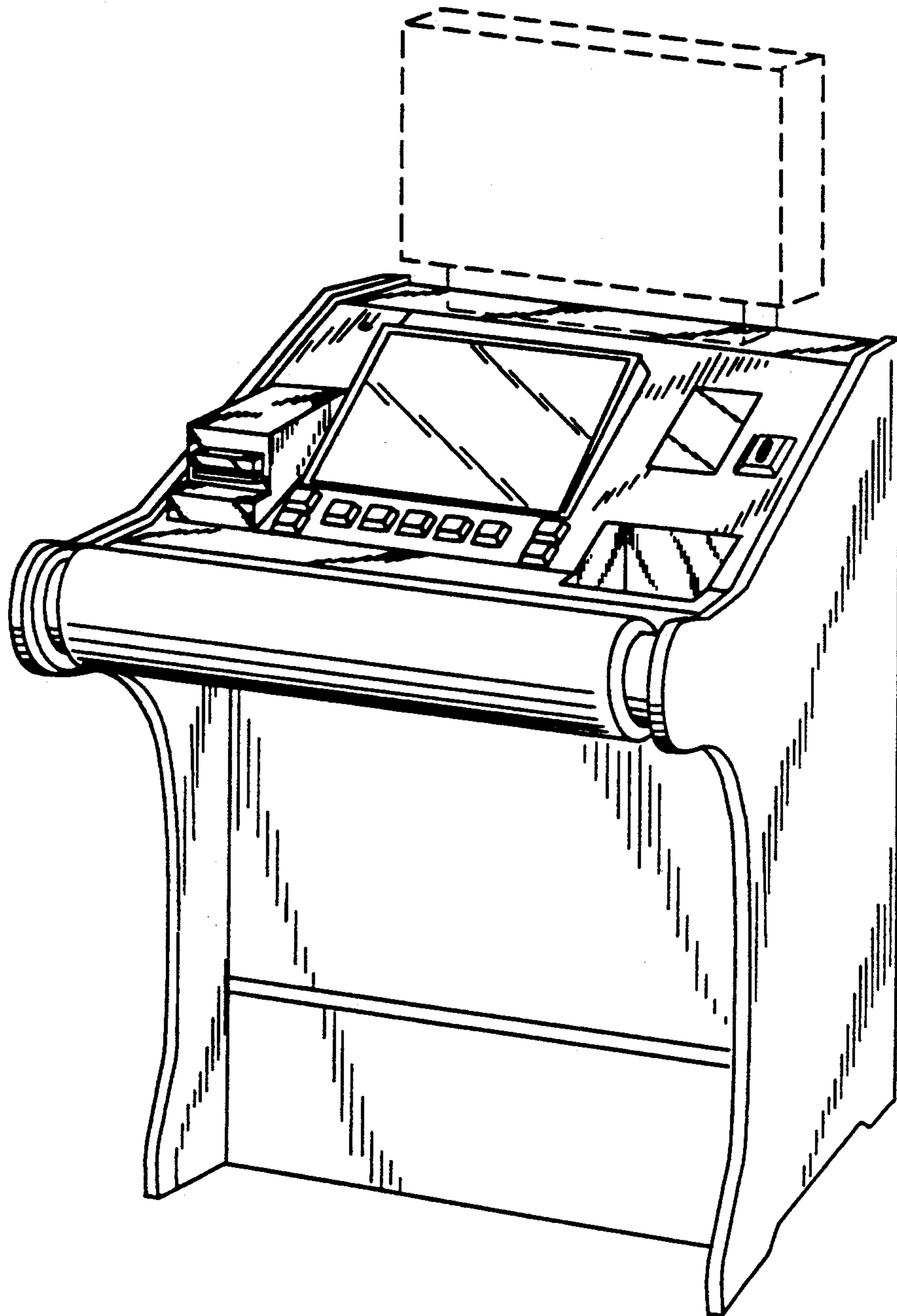


Fig. 1

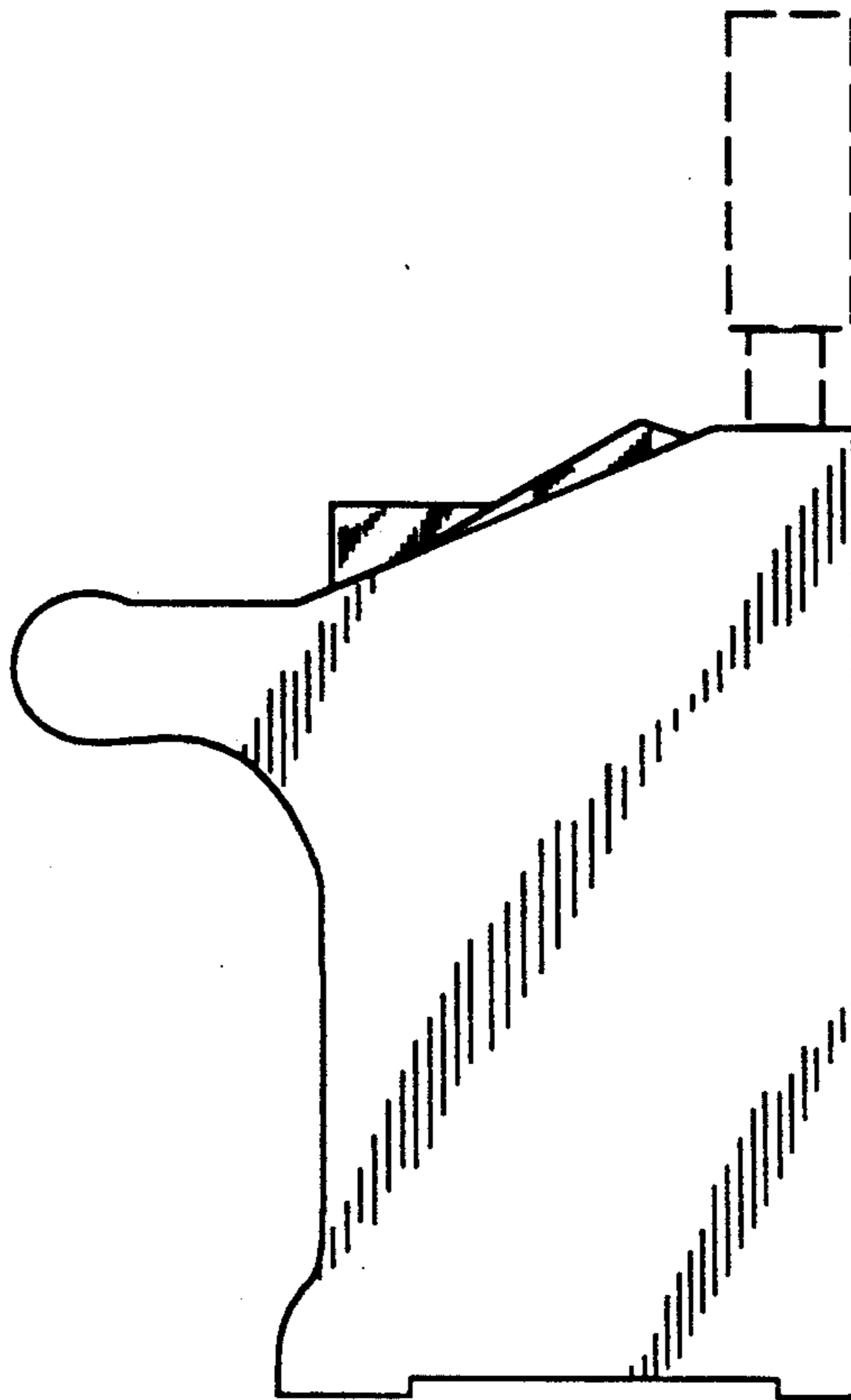


Fig. 2

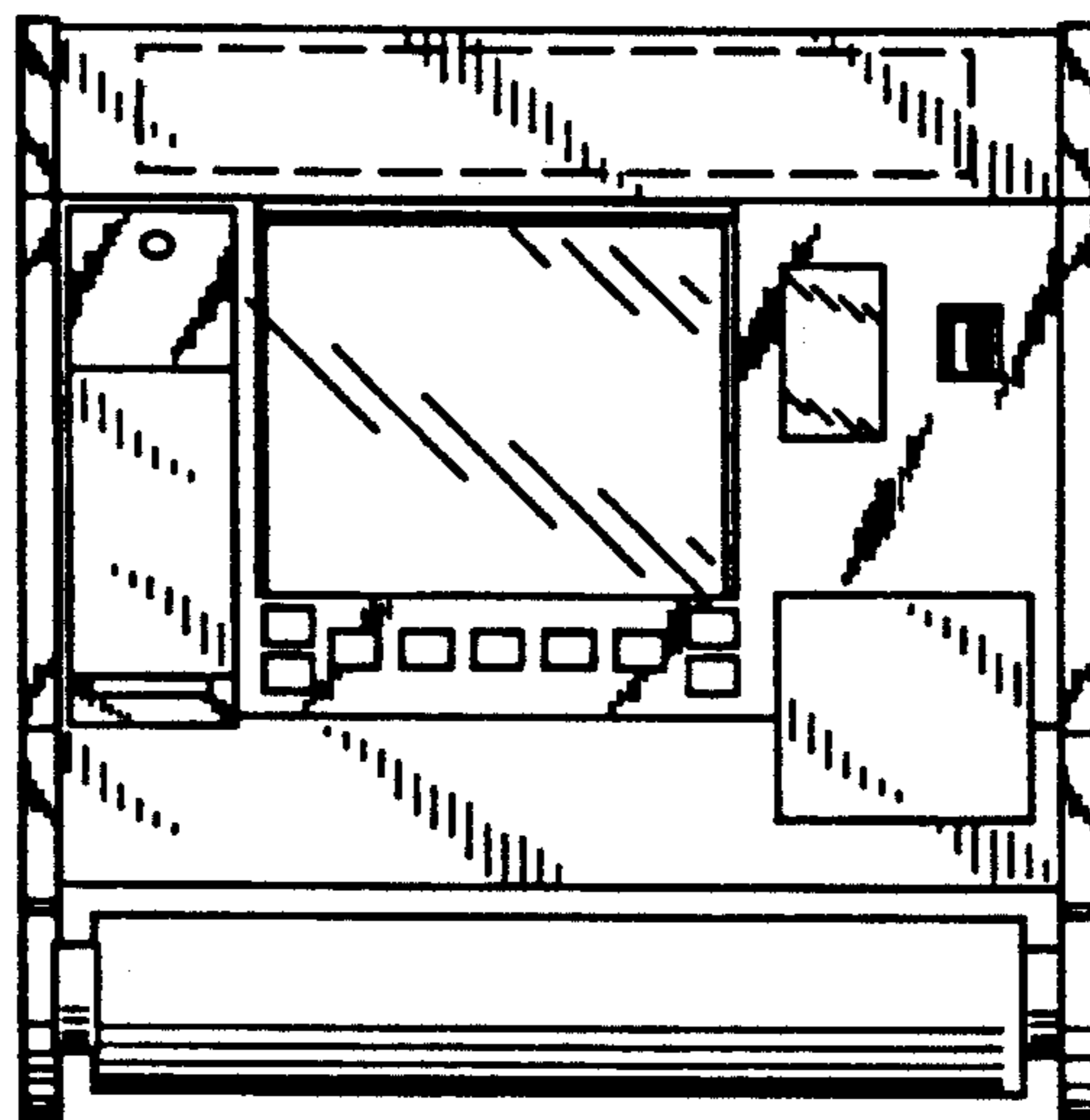


Fig. 3

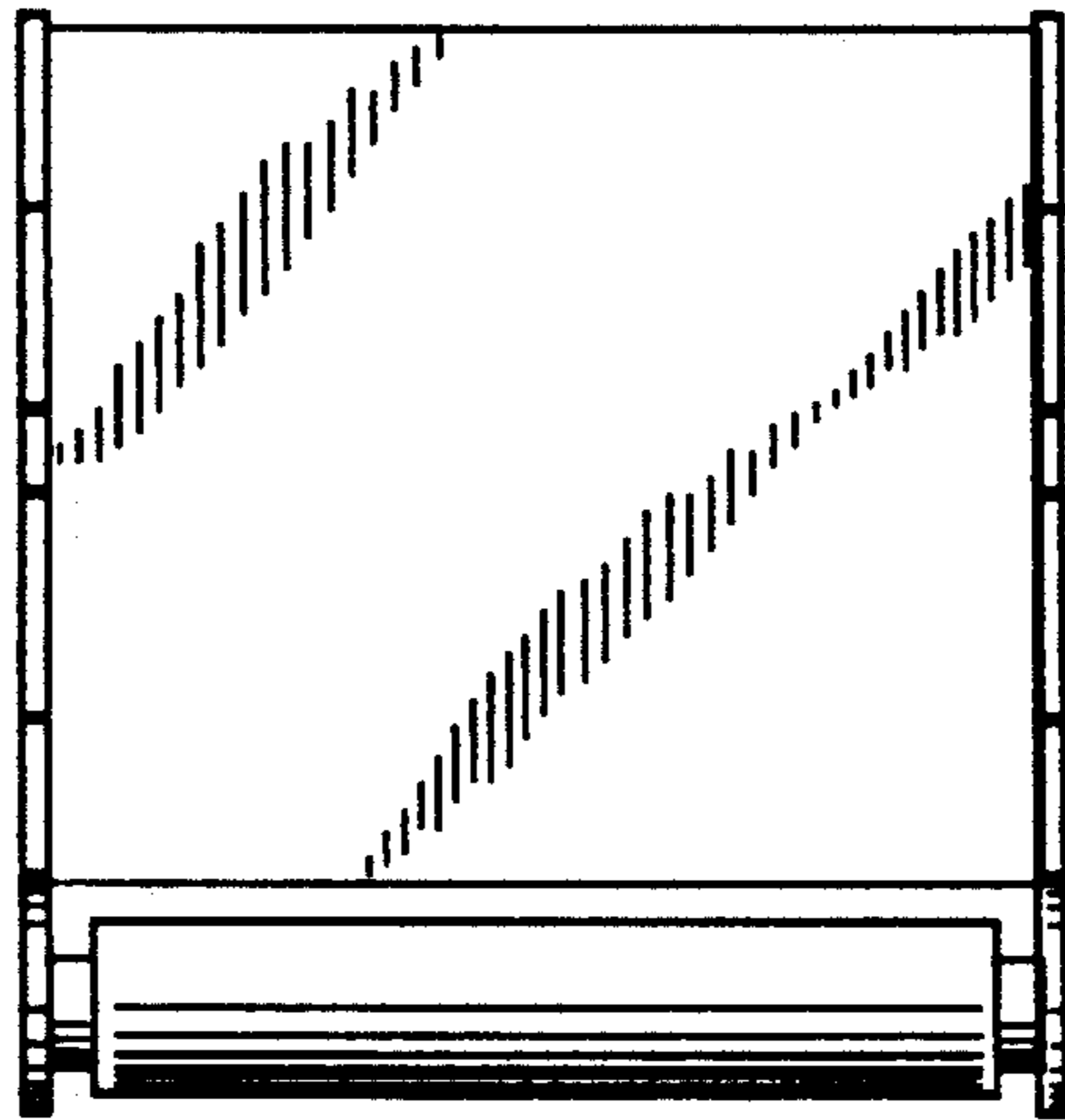


Fig. 4

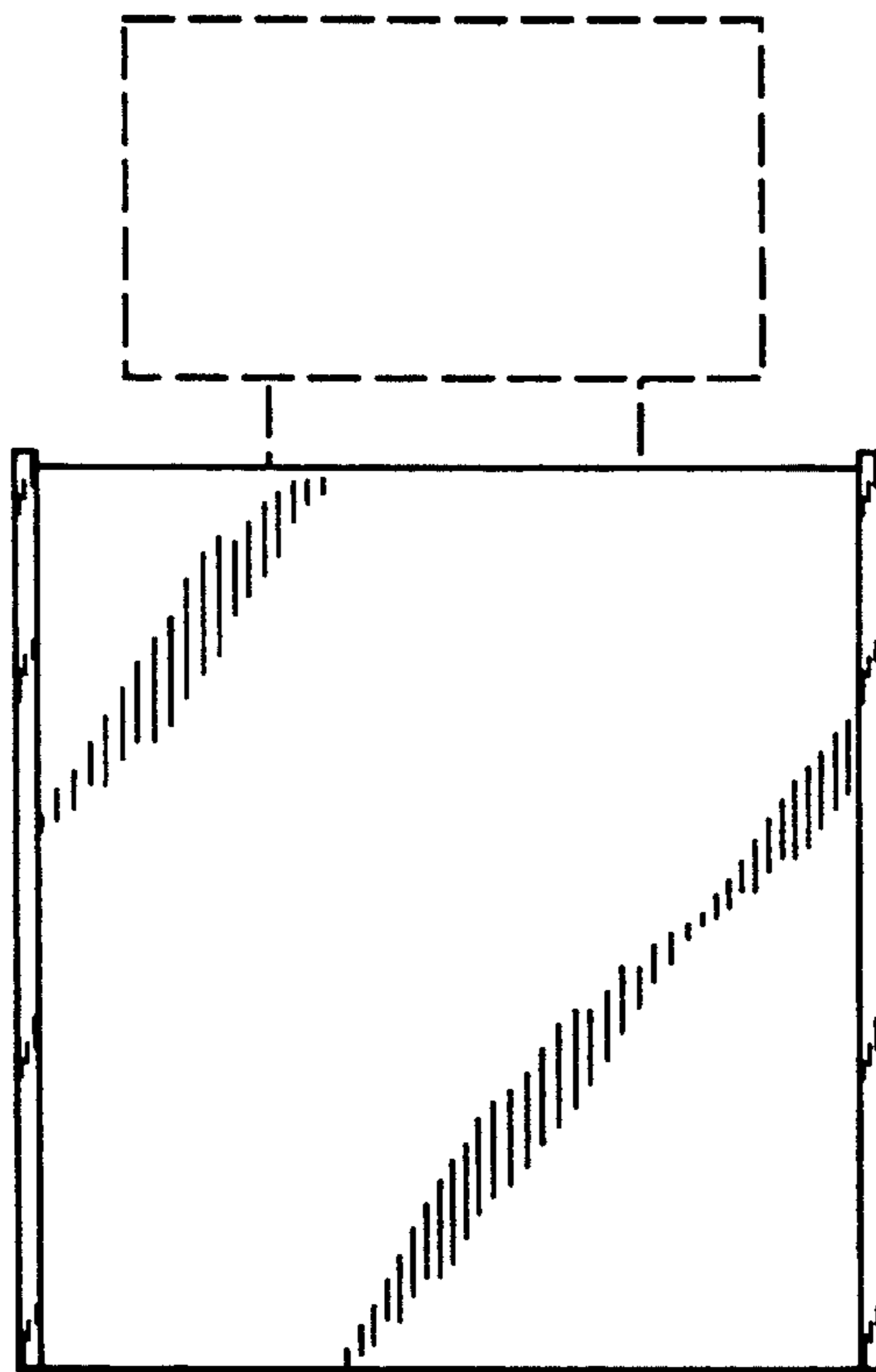


Fig. 5

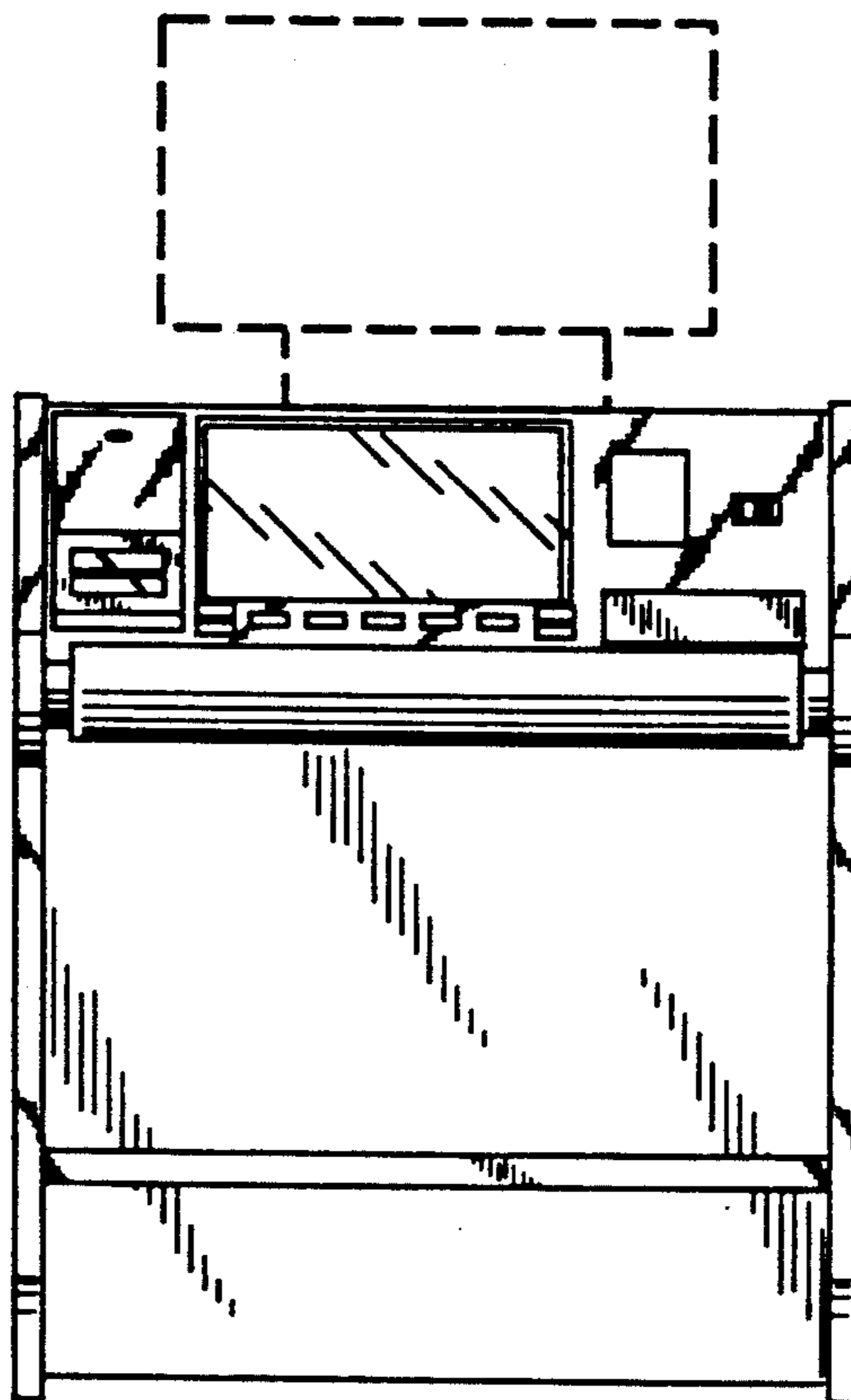


Fig. 6

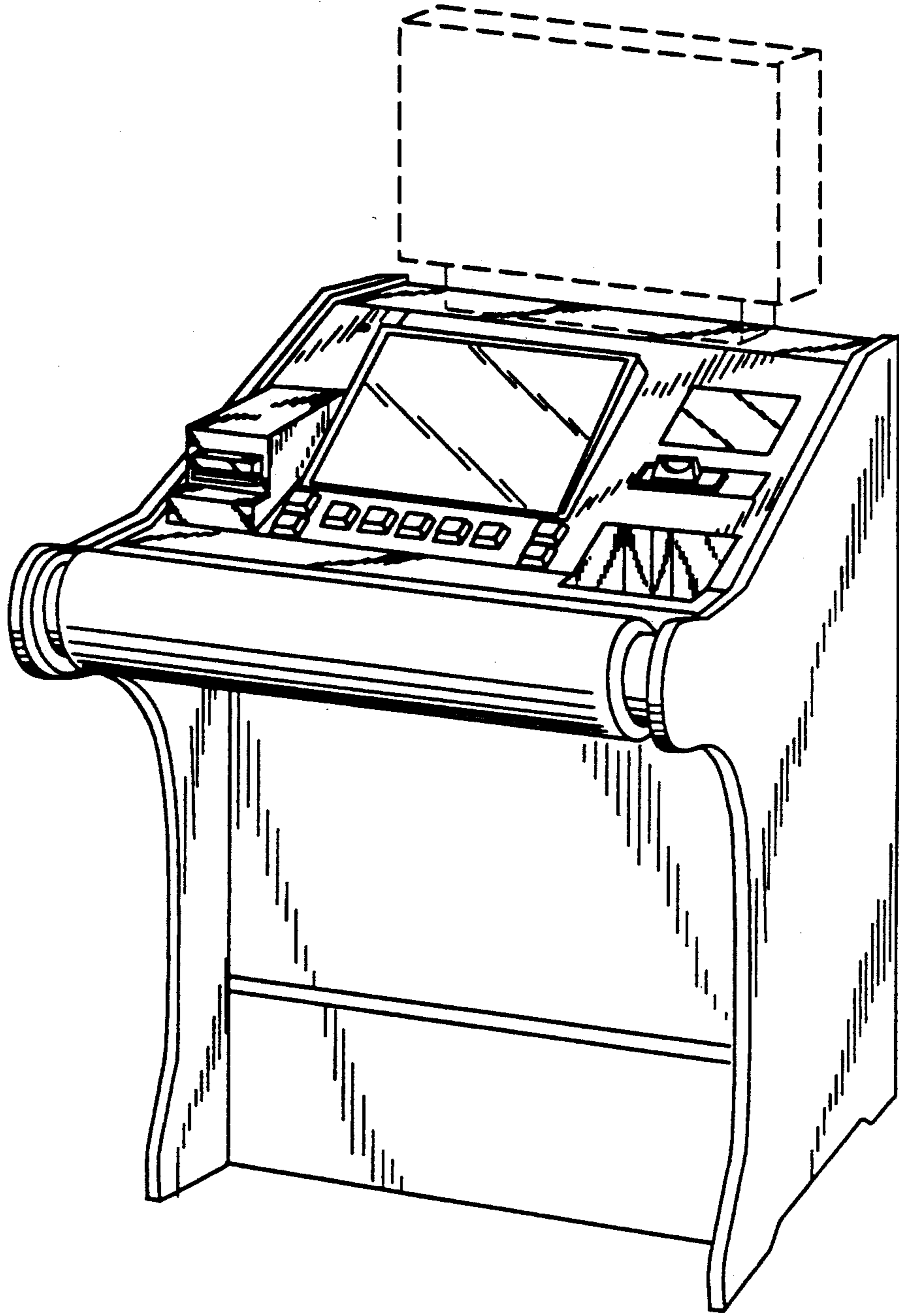


Fig. 7

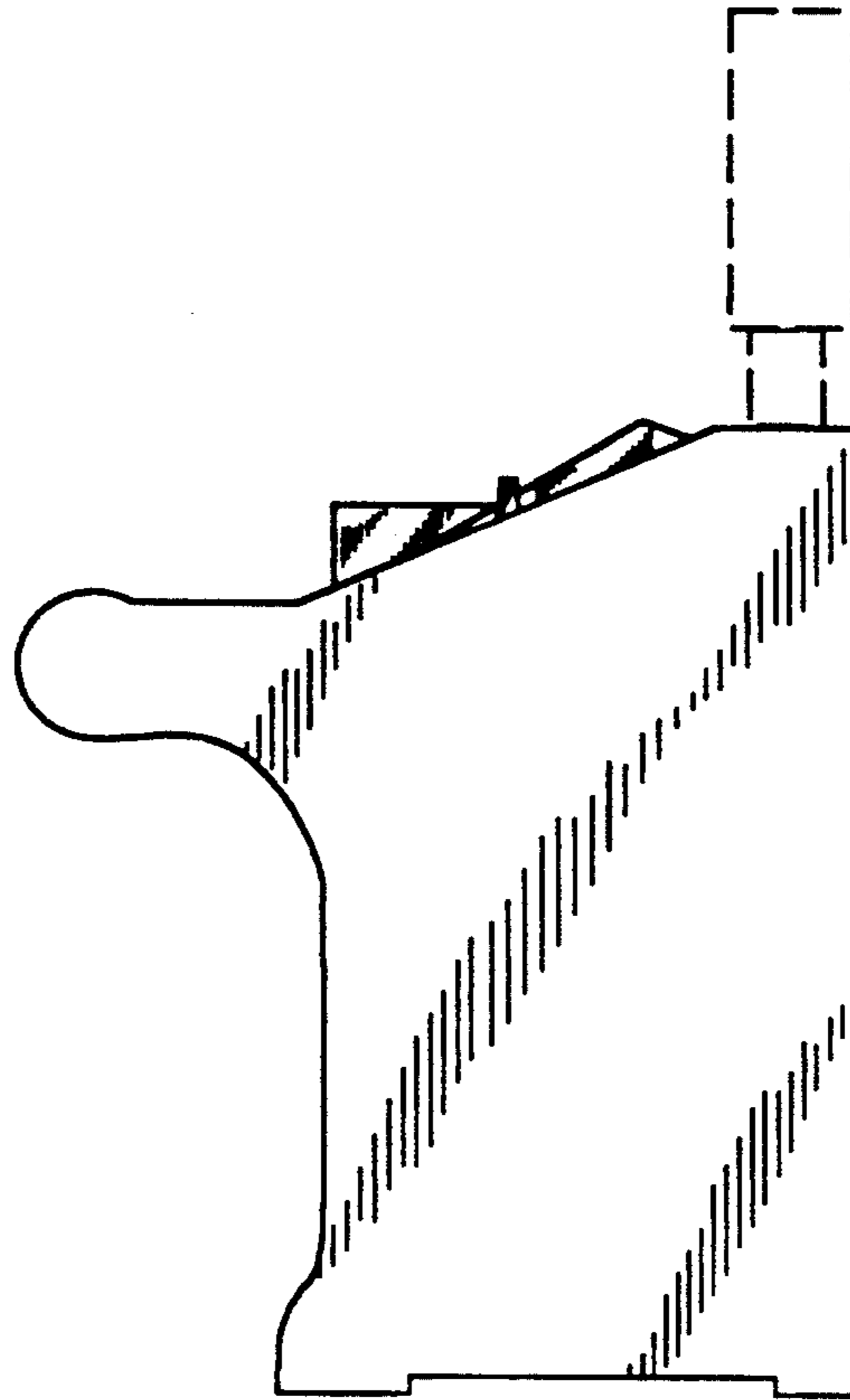


Fig. 8

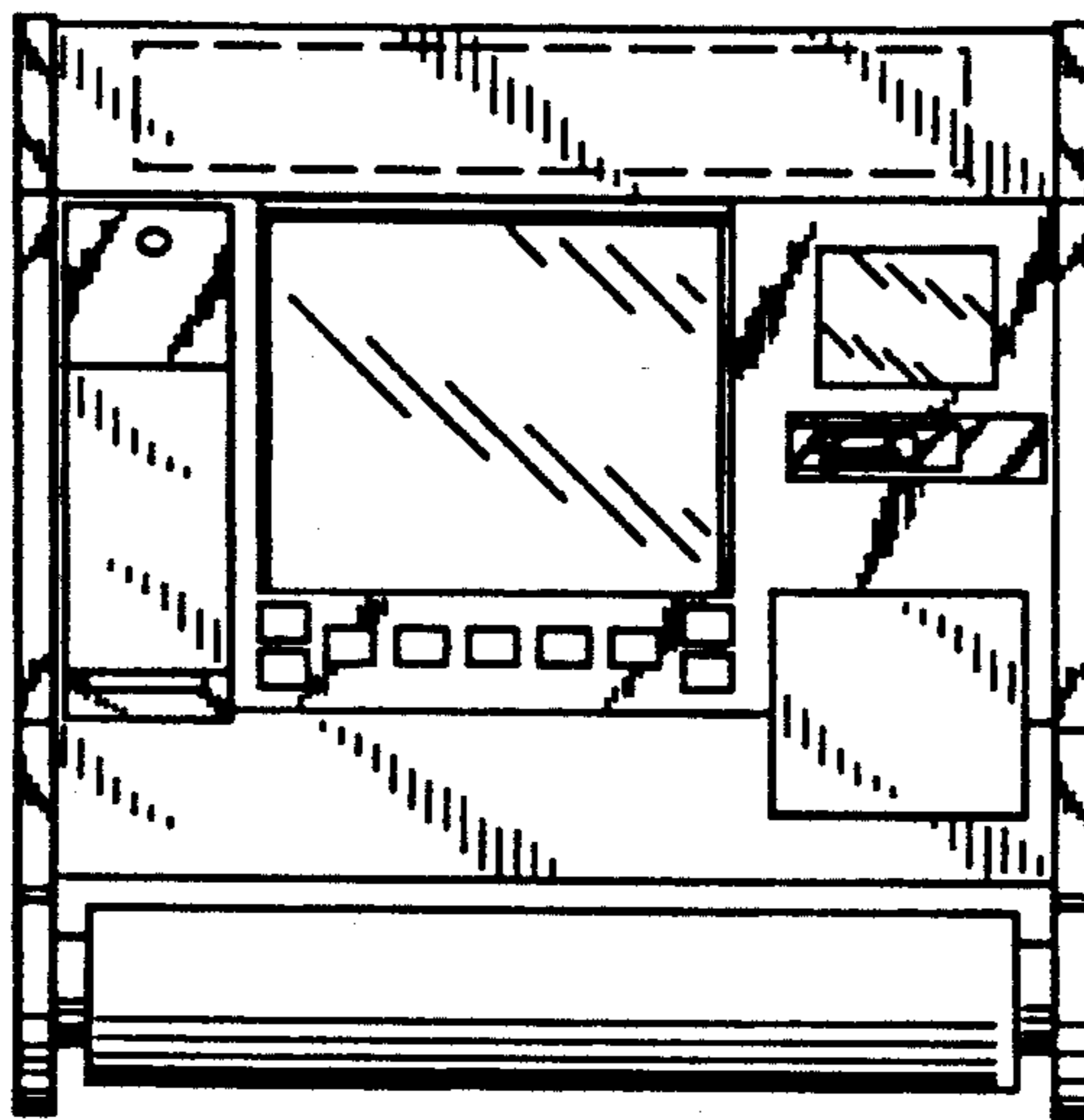


Fig. 9

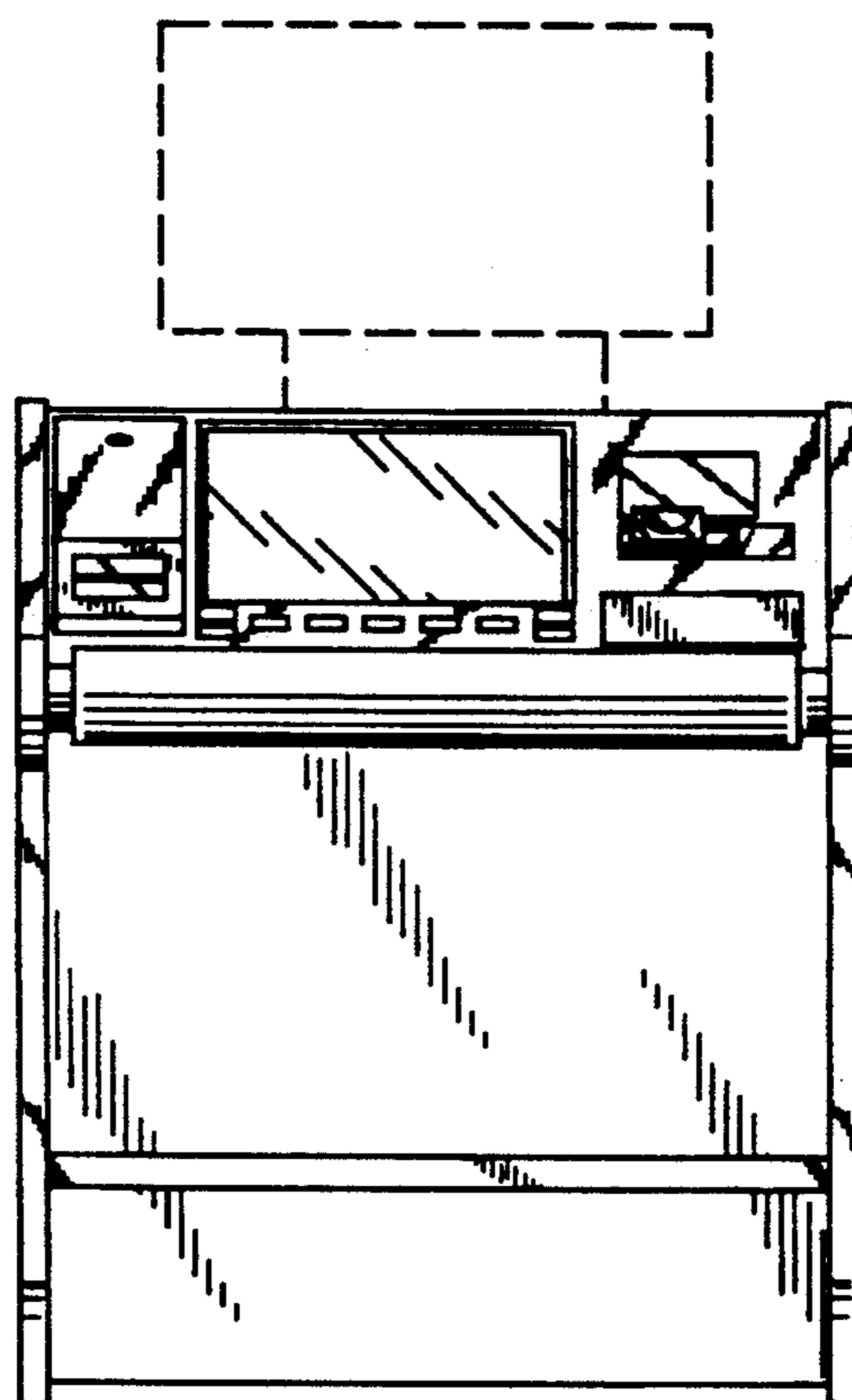


Fig. 10

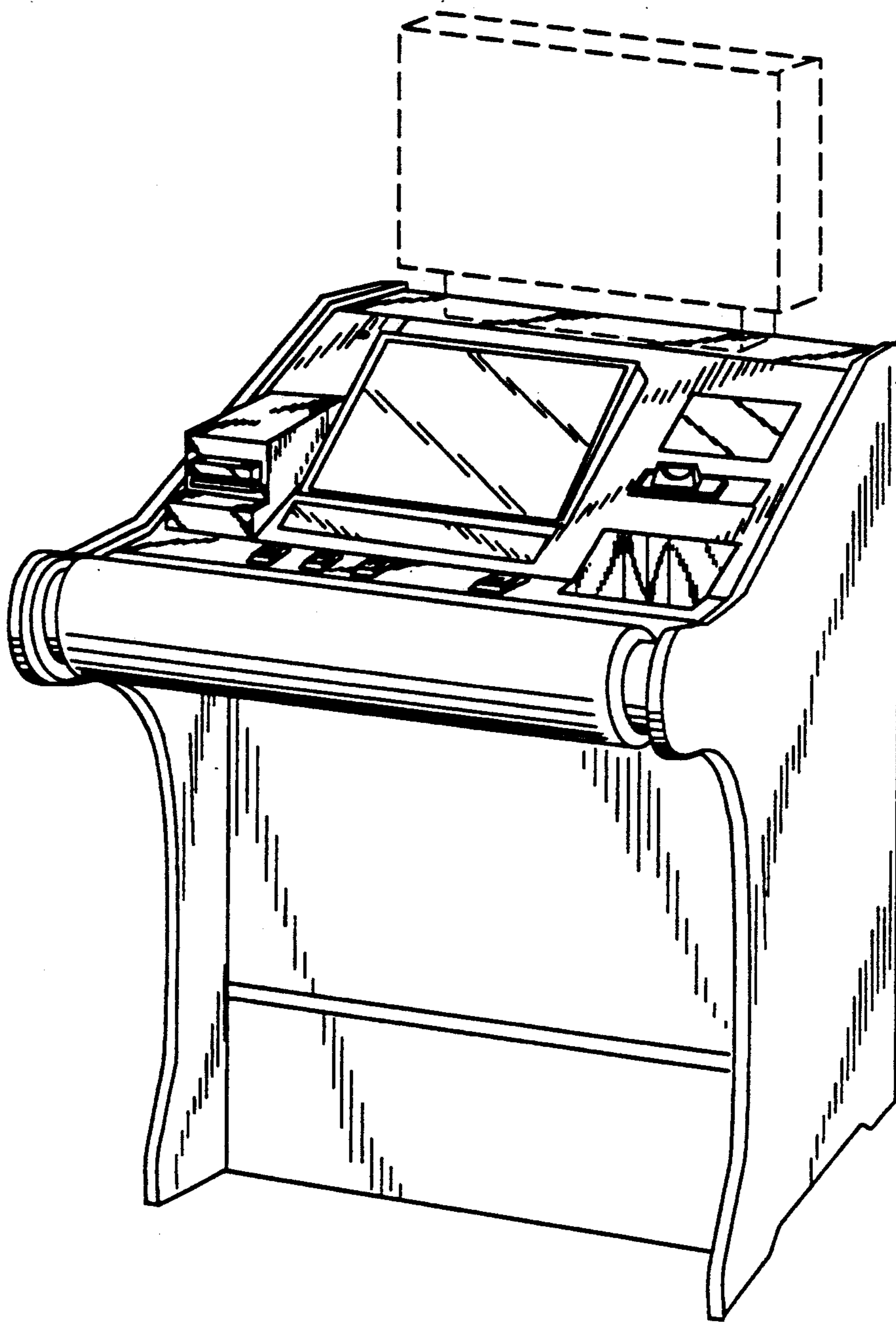


Fig. 11

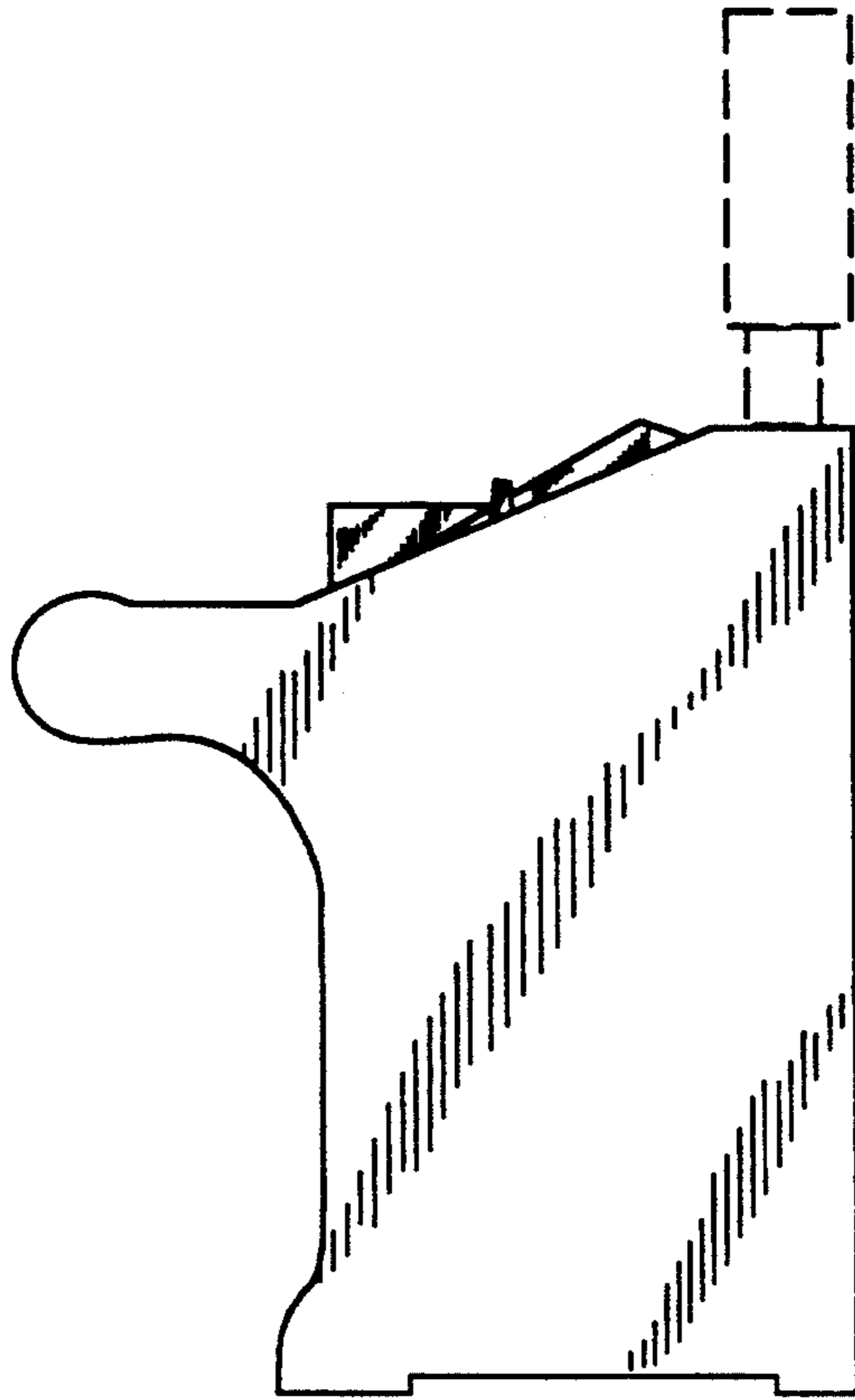


Fig. 12

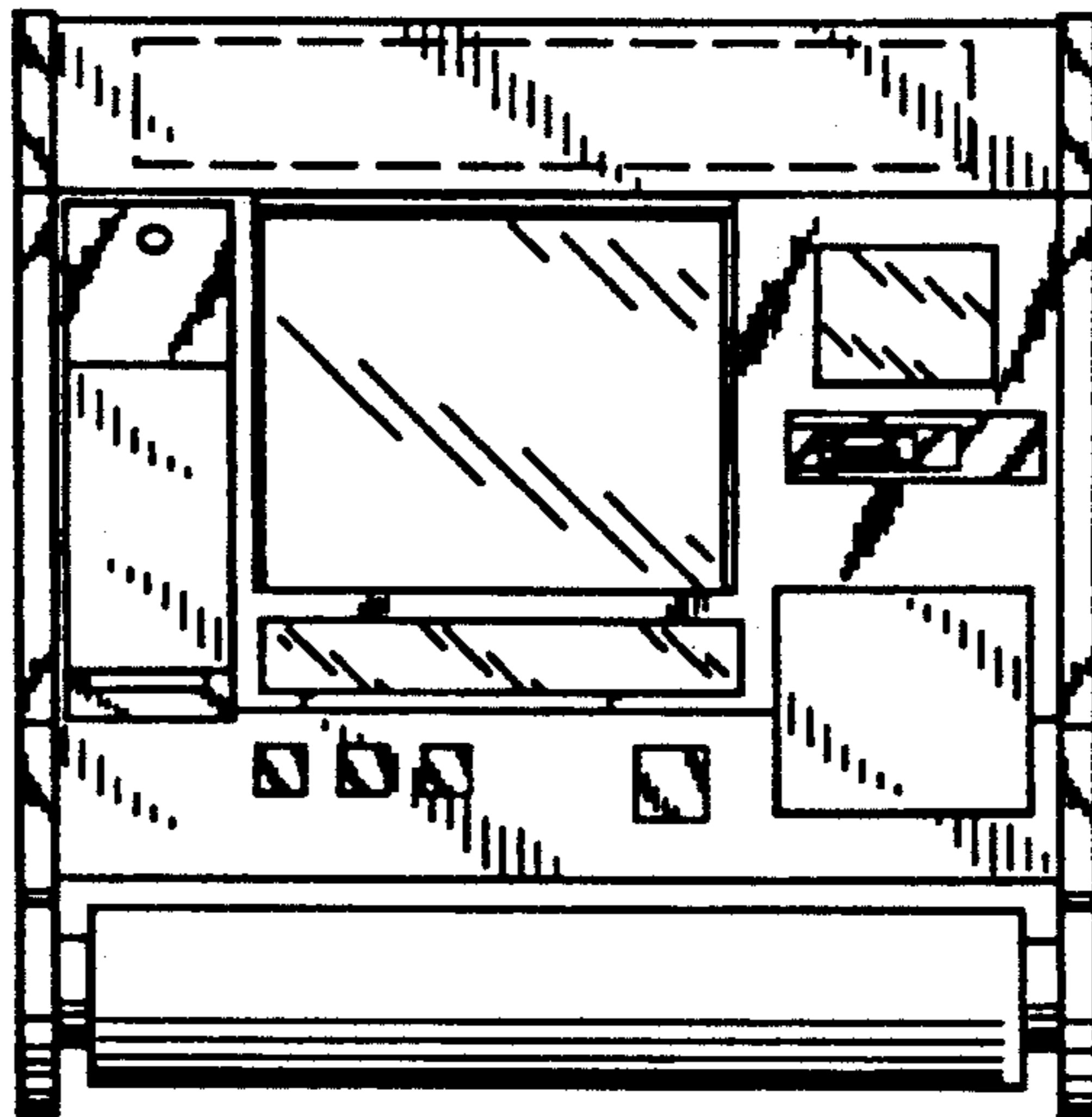


Fig. 13

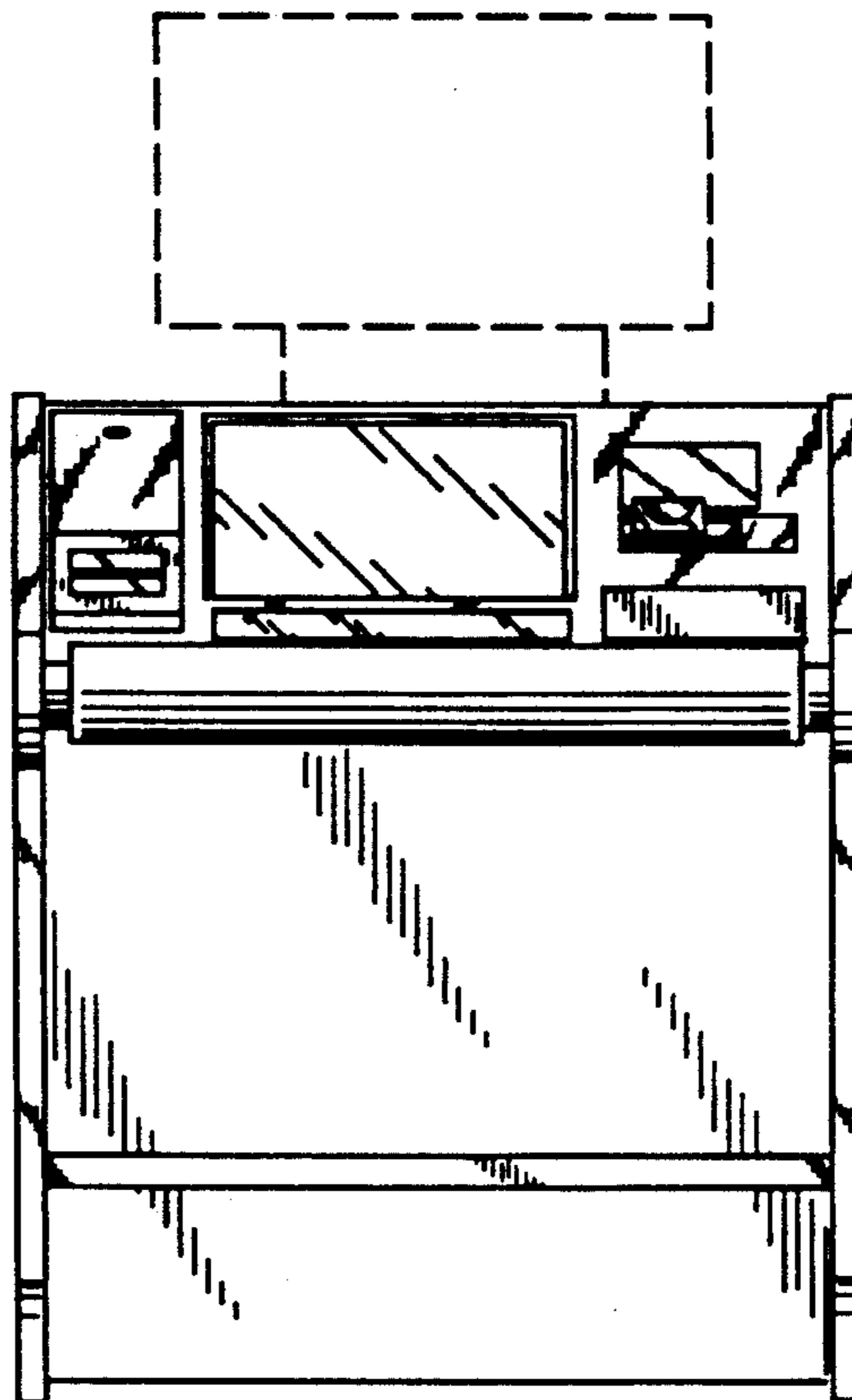


Fig. 14

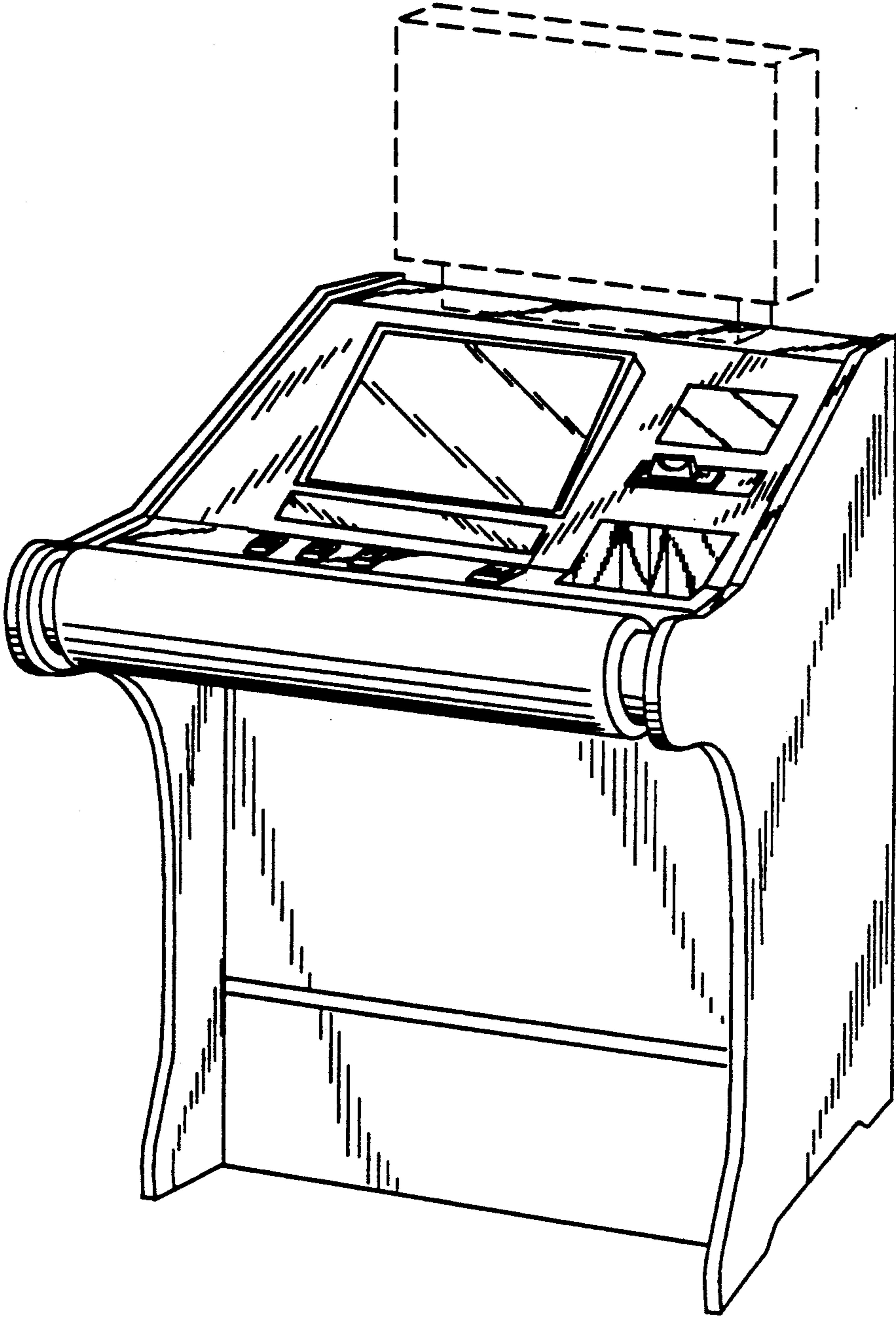


Fig. 15

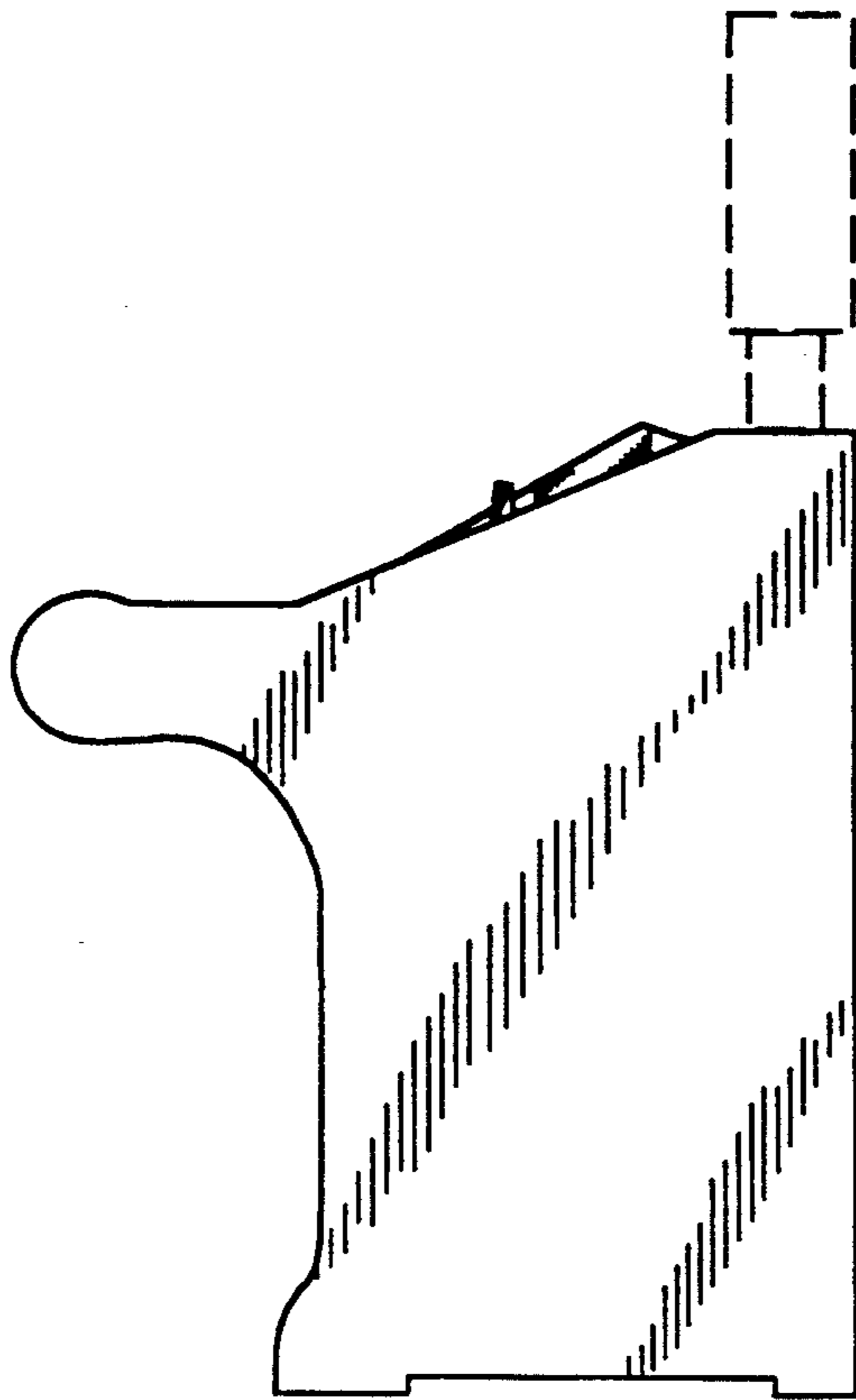


Fig. 16

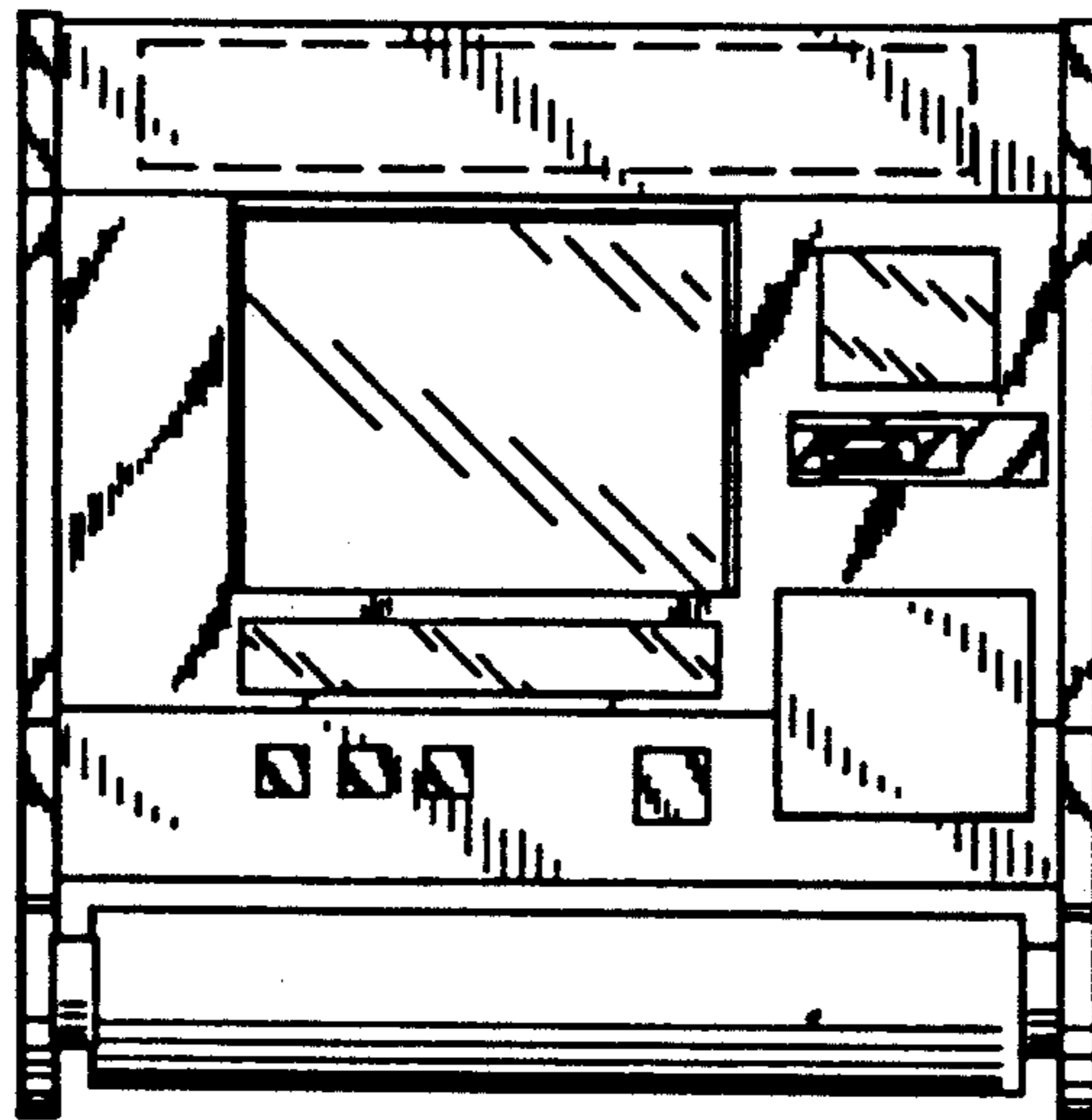


Fig. 17

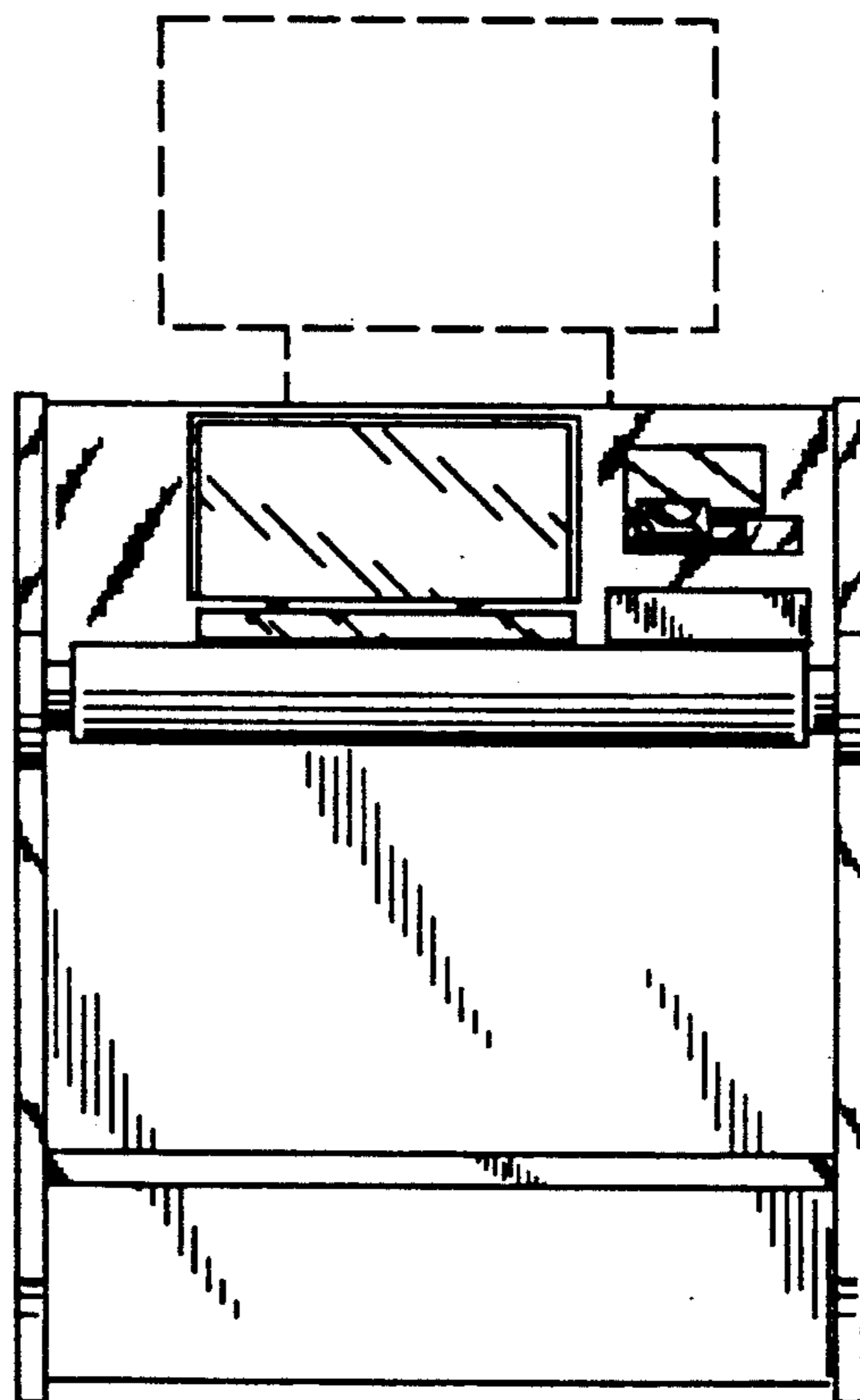


Fig. 18

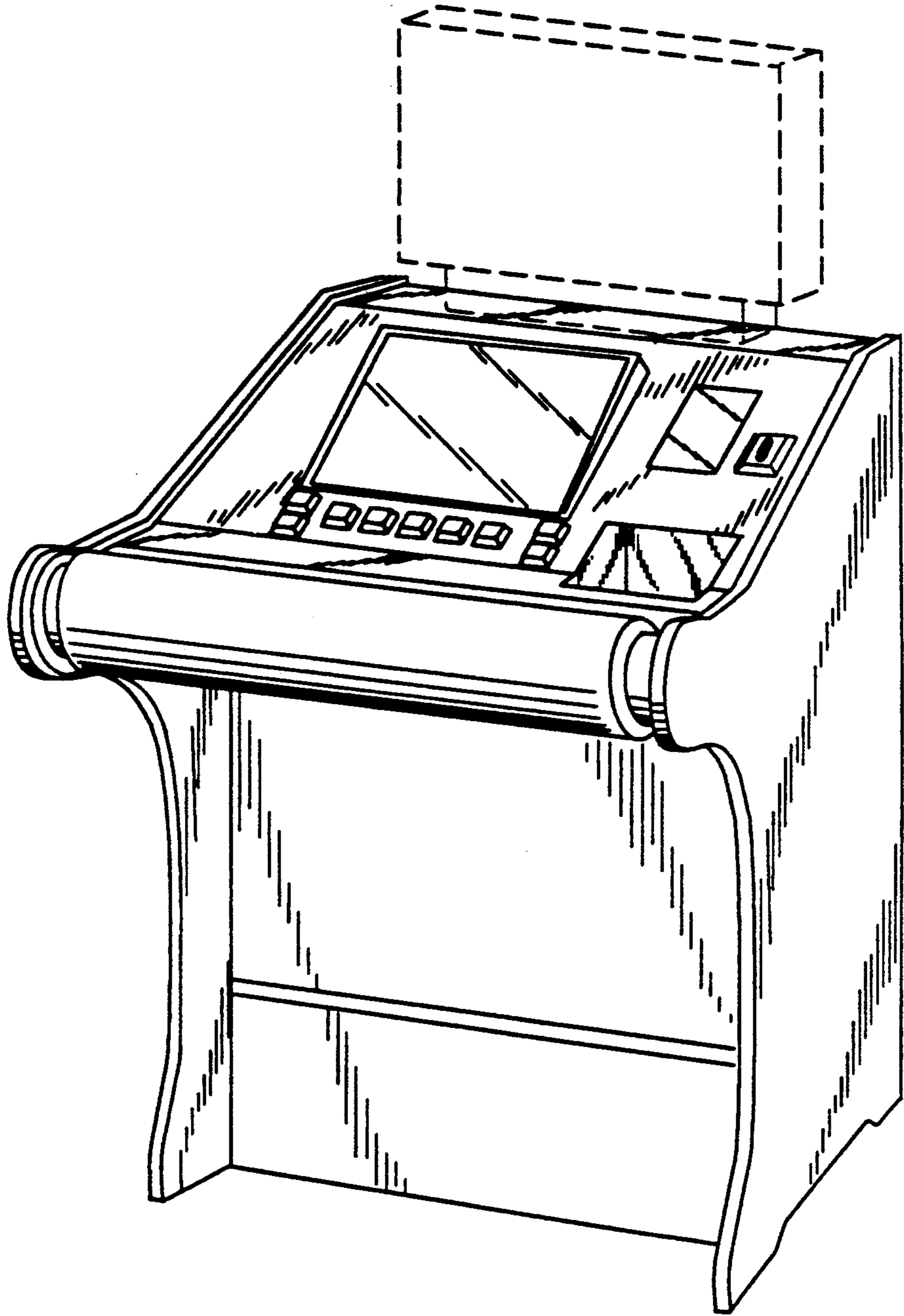


Fig. 19

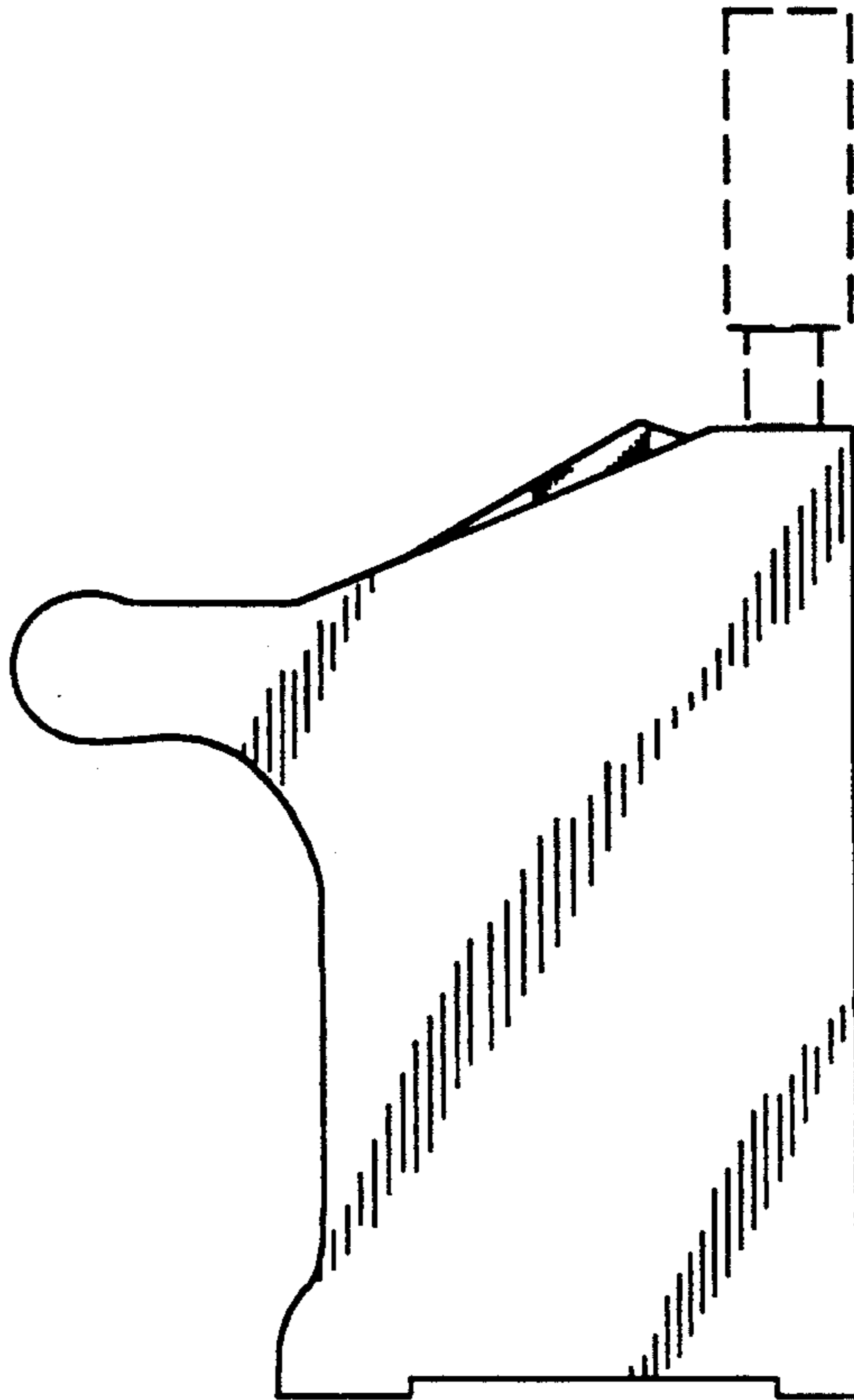


Fig. 20

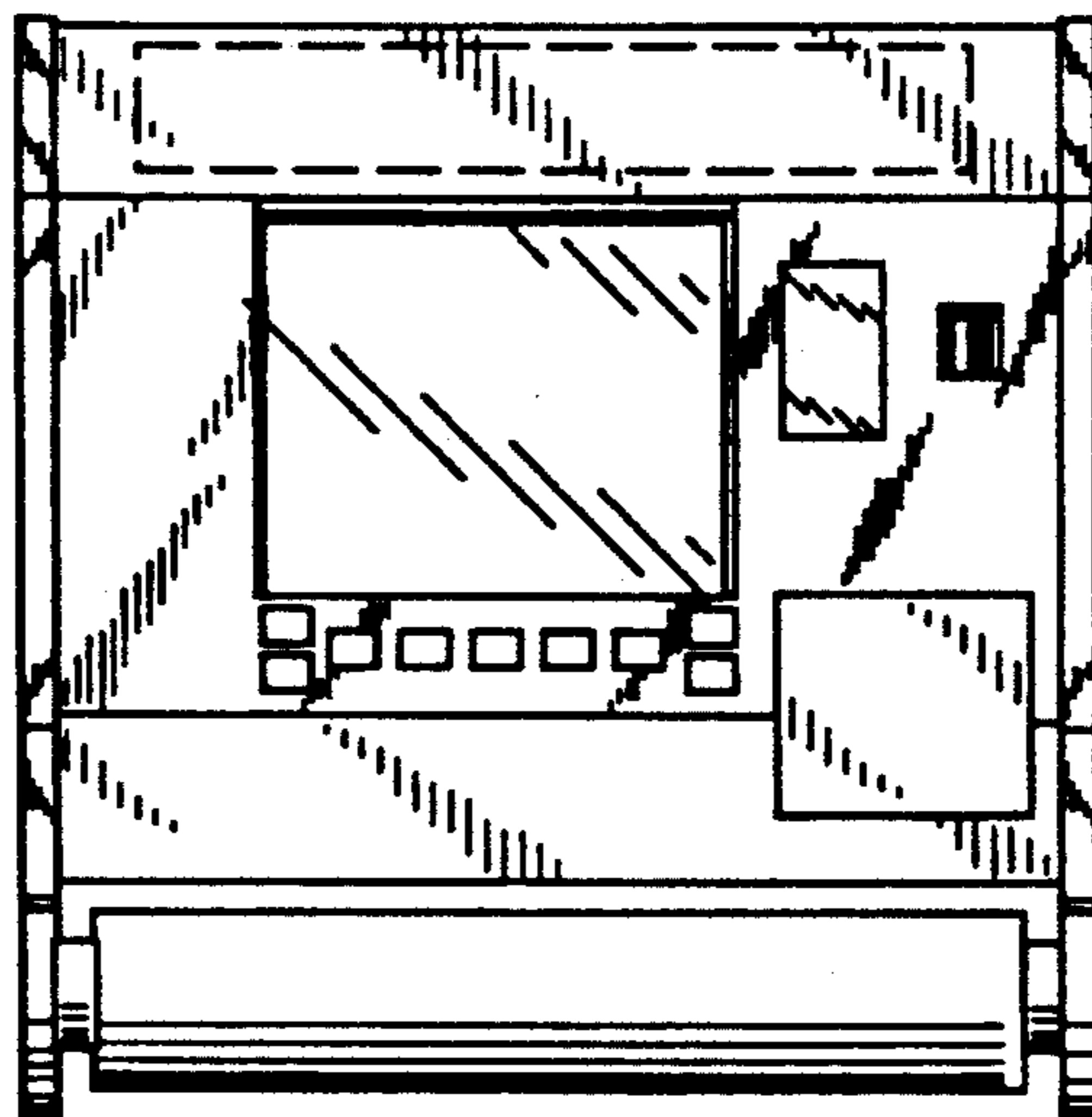


Fig. 21

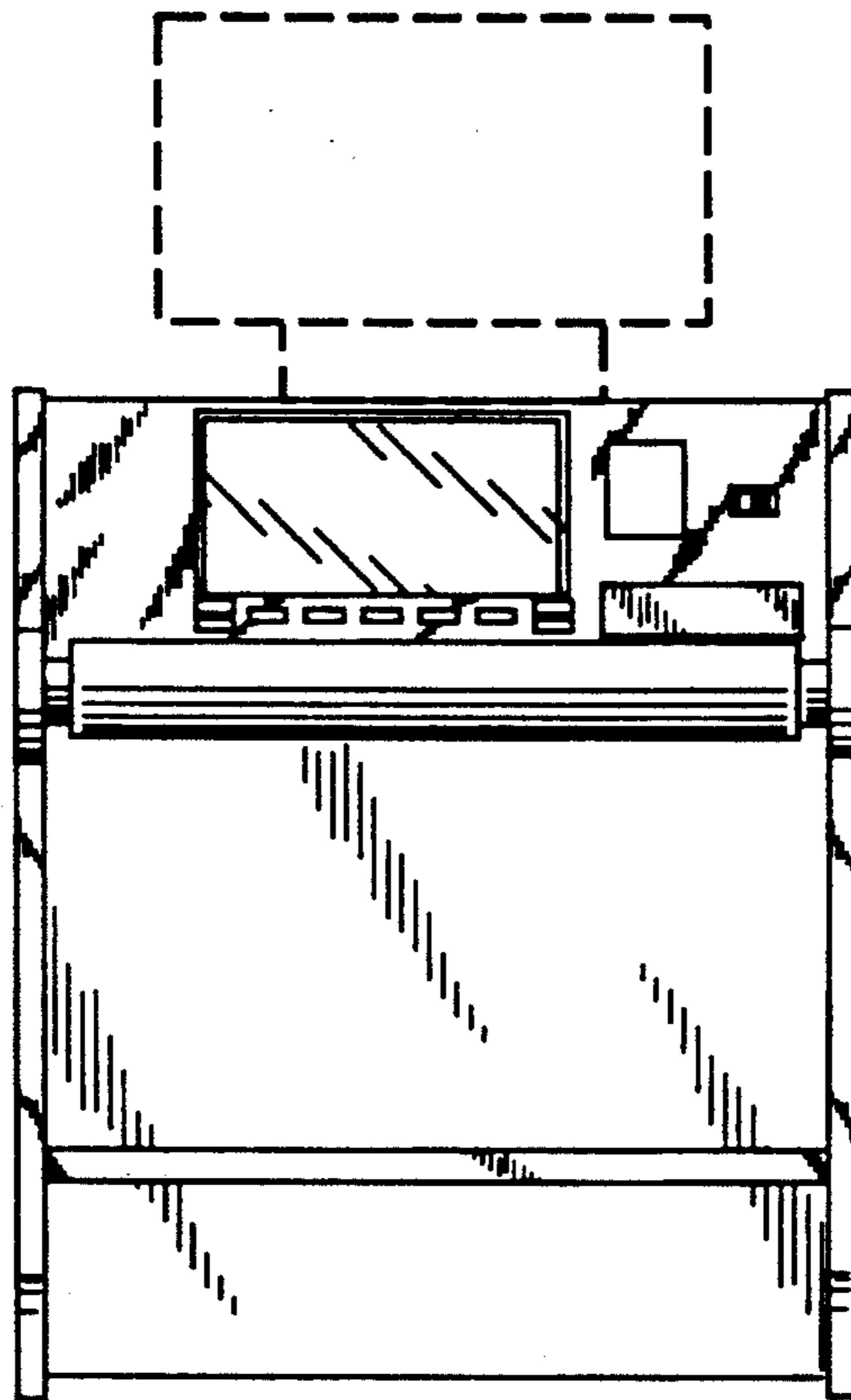


Fig. 22

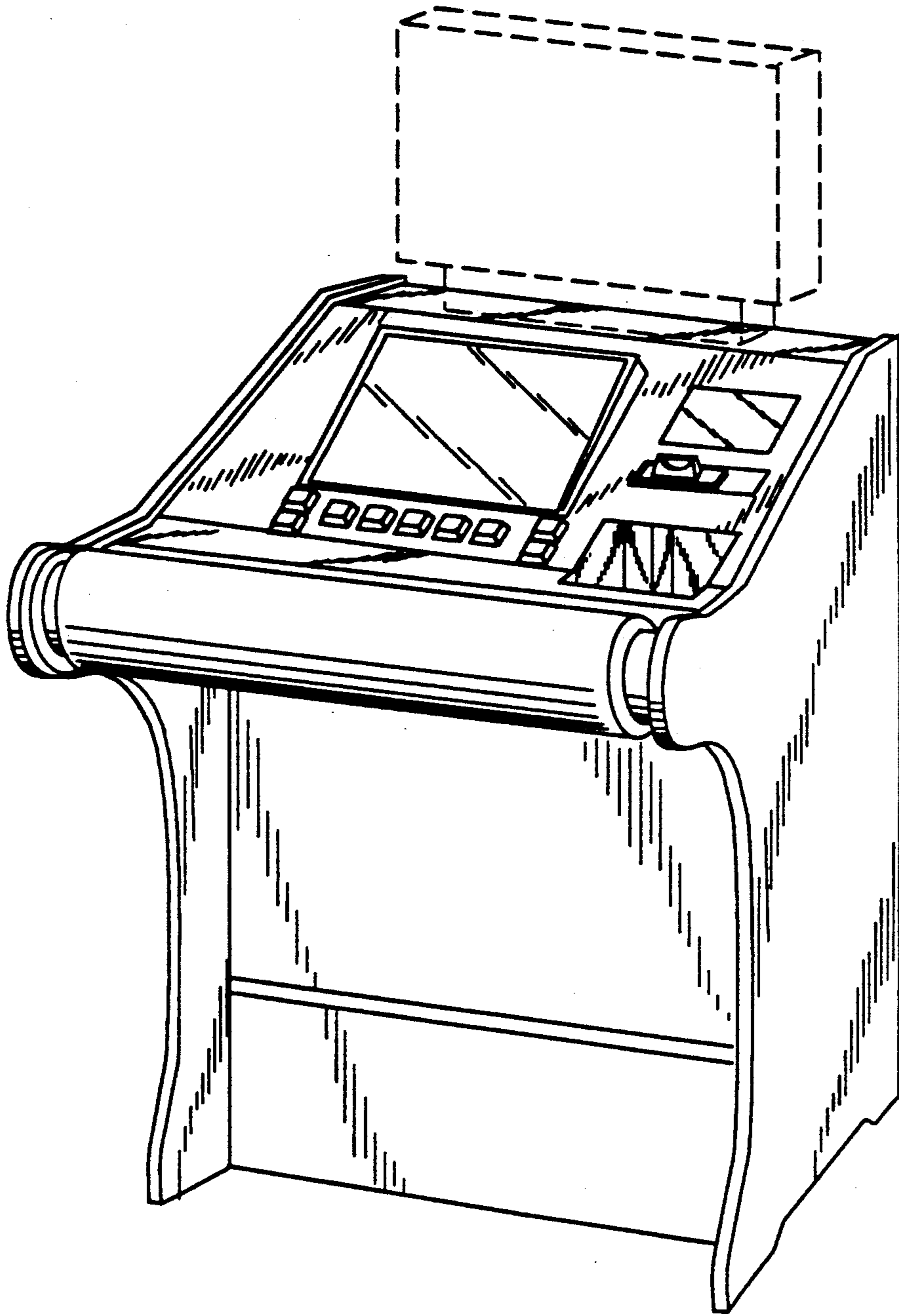


Fig. 23

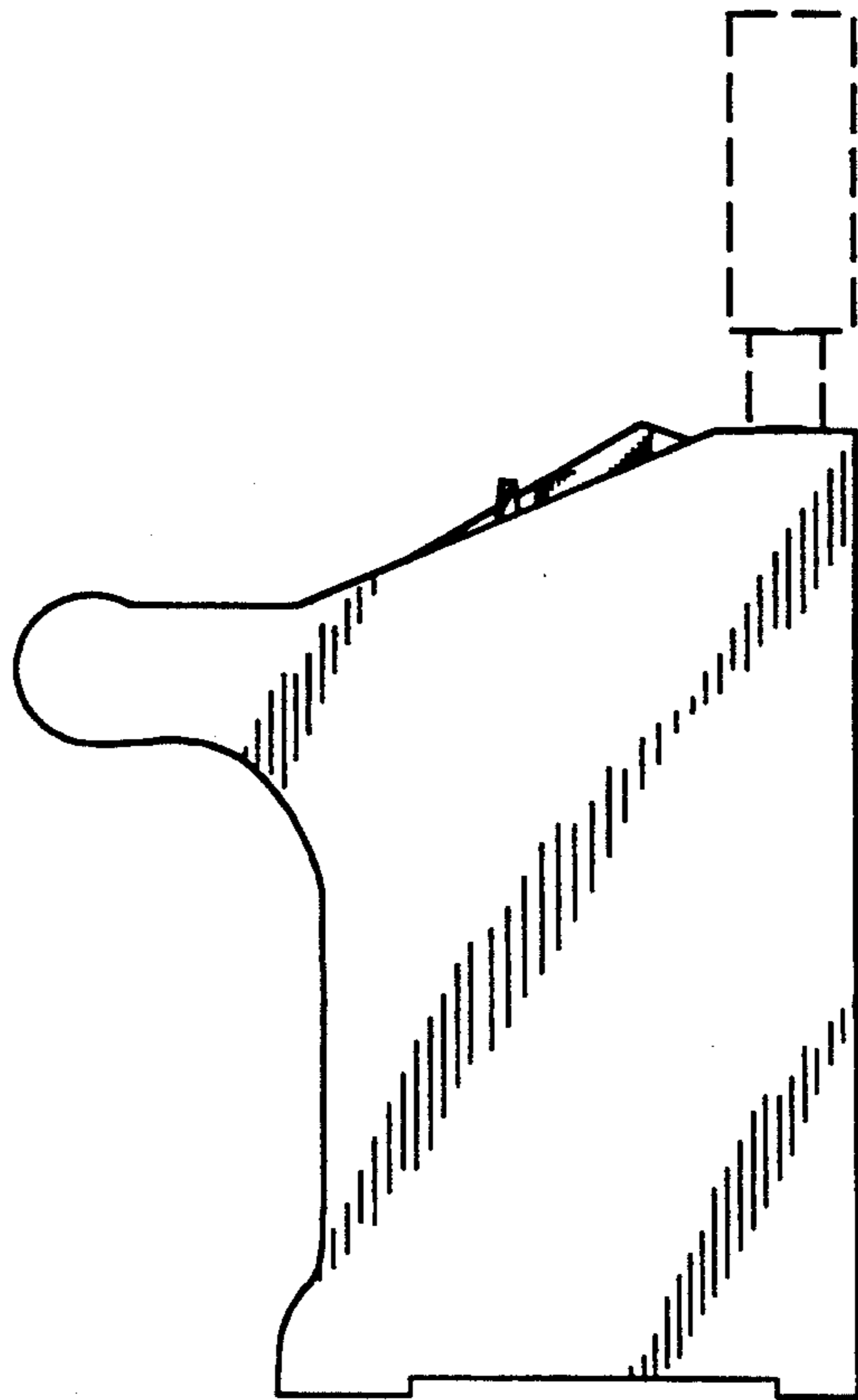


Fig. 24

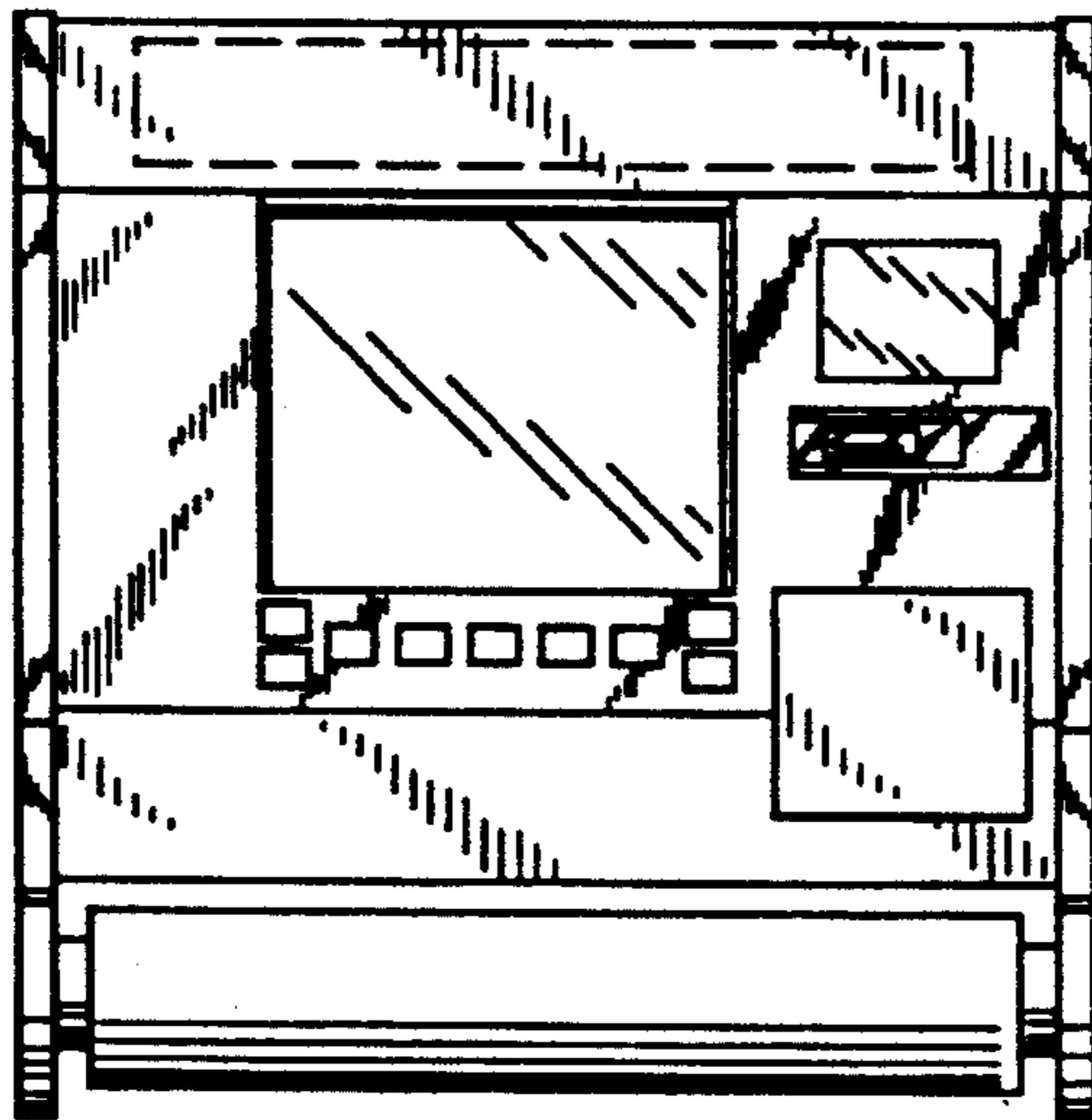


Fig. 25

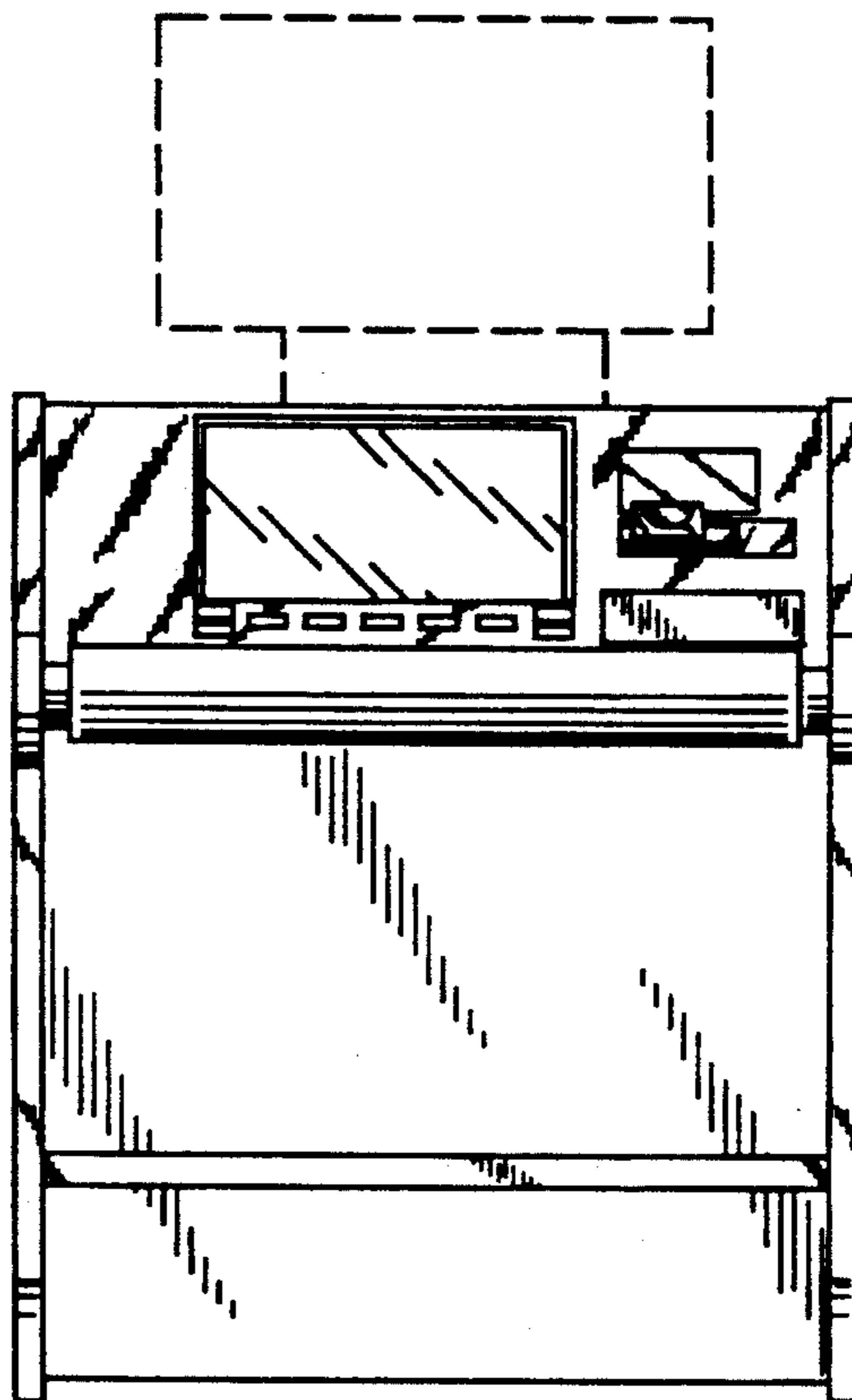


Fig. 26